



US00D913634S

(12) **United States Design Patent**
Hidalgo

(10) **Patent No.:** **US D913,634 S**

(45) **Date of Patent:** **** Mar. 23, 2021**

- (54) **GOWN**
- (71) Applicant: **Medline Industries, Inc**, Northfield, IL (US)
- (72) Inventor: **Harrison Hidalgo**, Gurnee, IL (US)
- (73) Assignee: **Medline Industries, Inc.**, Northfield, IL (US)

D721,870 S *	2/2015	Levine	D2/720
D736,493 S *	8/2015	Pasko	A41D 13/129
				D2/720
D749,819 S *	2/2016	Czajka	D2/720
D774,729 S *	12/2016	Pasko	D2/720
D781,528 S *	3/2017	Kennedy	D2/739
D785,284 S *	5/2017	Pasko	D2/720
D785,285 S *	5/2017	Shamsid-Deen	D2/720
D791,434 S *	7/2017	Pasko	D2/720
D792,056 S *	7/2017	Reese	D2/720
D802,884 S *	11/2017	Bennett	D2/739

(Continued)

(**) Term: **15 Years**

(21) Appl. No.: **29/699,181**

(22) Filed: **Jul. 23, 2019**

(51) **LOC (13) Cl.** **02-01**

(52) **U.S. Cl.**
USPC **D2/720**

(58) **Field of Classification Search**
USPC D2/720, 718, 717, 739, 749–751,
D2/840–842, 847–850
CPC .. A41D 13/1209; A41D 13/129; A41D 13/12;
A41D 13/1236; A41D 13/1245; A41D
13/1254
See application file for complete search history.

(56) **References Cited**

U.S. PATENT DOCUMENTS

D325,459 S *	4/1992	Keever	D2/720
D351,712 S *	10/1994	Jackson	D2/720
D356,204 S *	3/1995	Derrickson	D2/720
D374,113 S *	10/1996	Console	D2/720
D563,627 S *	3/2008	Warren	D2/720
D598,638 S *	8/2009	Graneto, III	D2/720
D618,884 S *	7/2010	Zhu	A41D 13/1209
				D2/720
D622,479 S *	8/2010	Herzog	D2/720
D624,280 S *	9/2010	Halseth	D2/720
D646,463 S *	10/2011	Petrovskis	D2/720
D680,709 S *	4/2013	Blood	D2/720
D687,209 S *	8/2013	Levine	D2/720

Primary Examiner — Michelle E. Wilson

Assistant Examiner — Clese Moore, Jr.

(74) Attorney, Agent, or Firm — Philip H. Burrus, IV

(57) **CLAIM**

The ornamental design for gown, as shown and described.

DESCRIPTION

FIG. 1 is a first perspective view of a gown, showing my new design;

FIG. 2 is a second perspective view thereof;

FIG. 3 is a right side elevation thereof;

FIG. 4 is a left side elevation thereof;

FIG. 5 is a top plan view thereof;

FIG. 6 is a bottom plan view thereof;

FIG. 7 is a front elevation view thereof;

FIG. 8 is a rear elevation view thereof;

FIG. 9 is an enlarged, partial front elevation view of a wrist portion taken in FIG. 7;

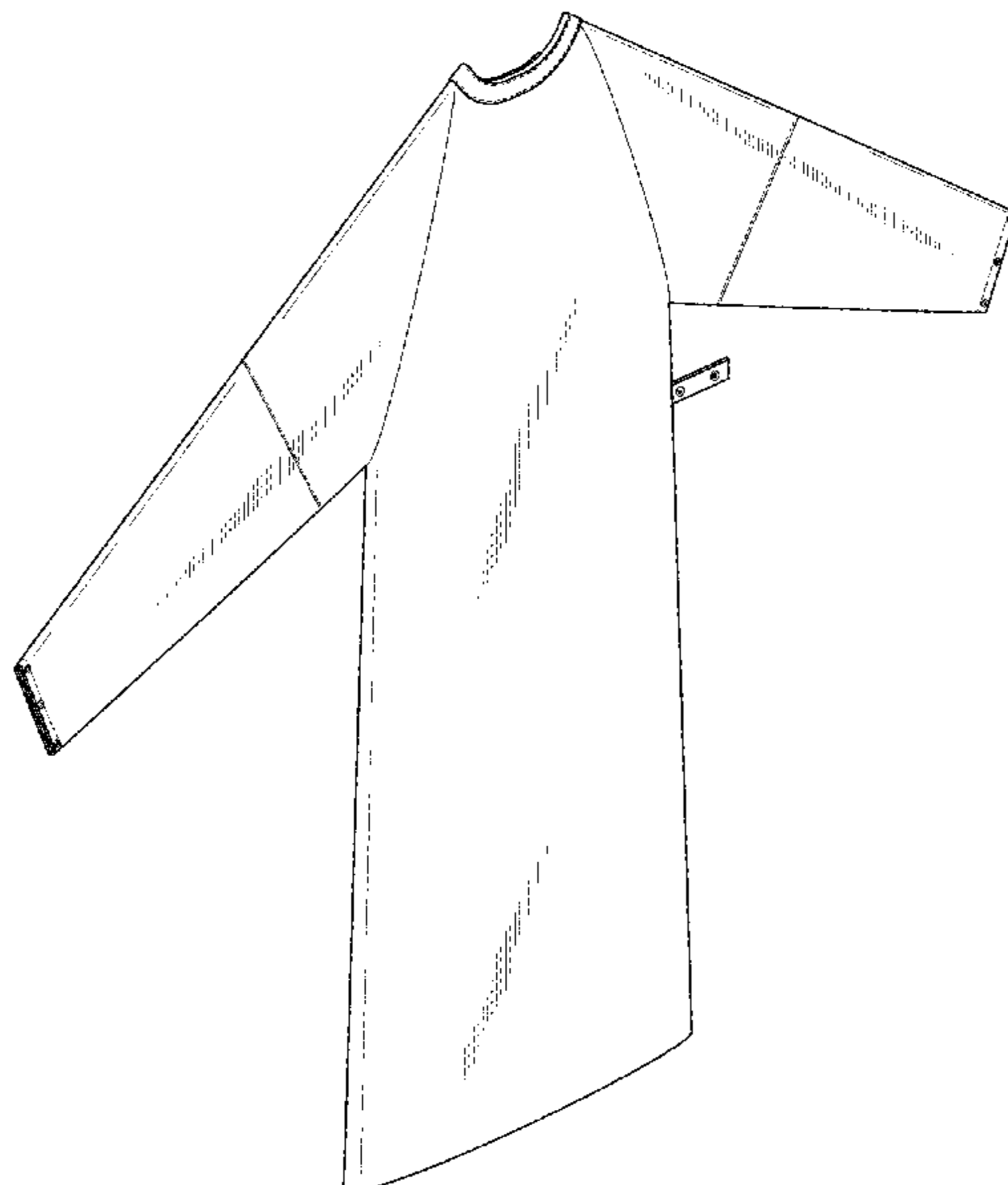
FIG. 10 is another enlarged, partial front elevation view of a wrist portion taken in FIG. 7;

FIG. 11 is an enlarged, partial rear elevation view of a wrist portion taken in FIG. 8; and,

FIG. 12 is another enlarged, partial rear elevation view of a wrist portion taken in FIG. 8.

The dash-dash broken lines illustrate stitching that forms no part of the claimed design.

1 Claim, 7 Drawing Sheets



(56)

References Cited

U.S. PATENT DOCUMENTS

D805,733 S	*	12/2017	Reese	D2/720
D821,704 S	*	7/2018	Pasko	D2/720
D827,247 S	*	9/2018	Genender	D2/720
D844,287 S	*	4/2019	Pasko	D2/720

* cited by examiner

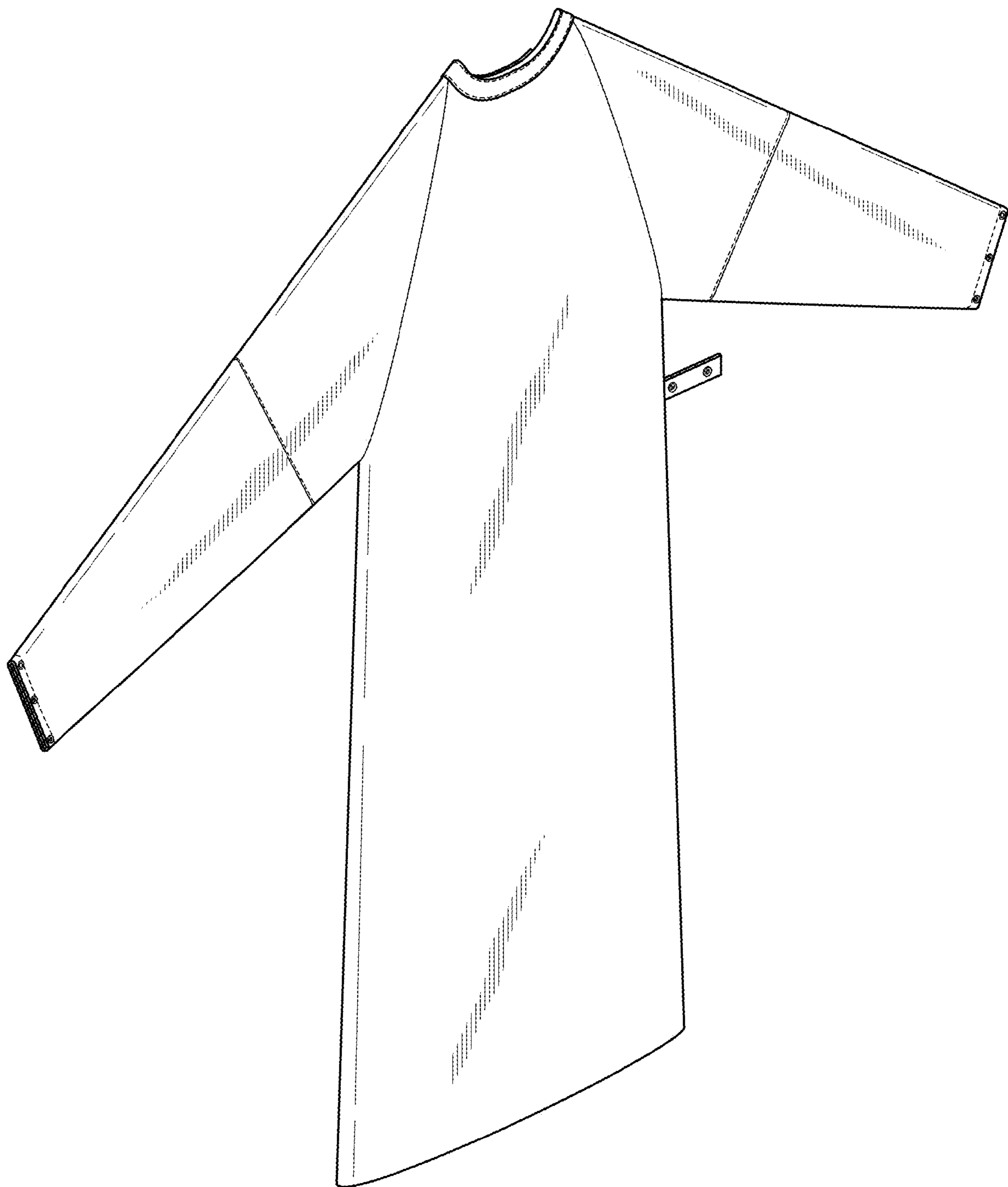


FIG. 1

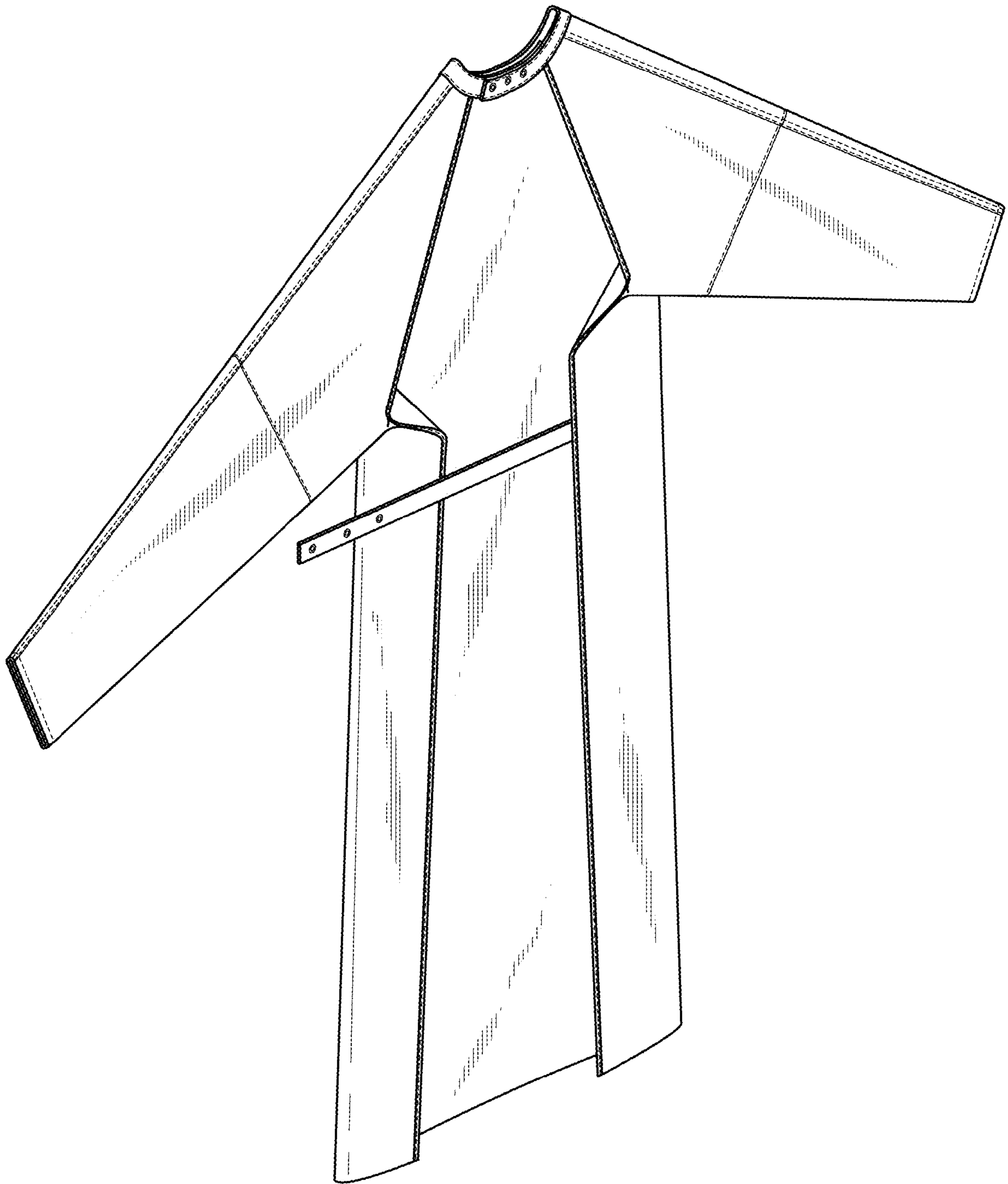


FIG. 2

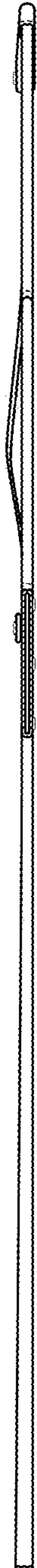


FIG. 3

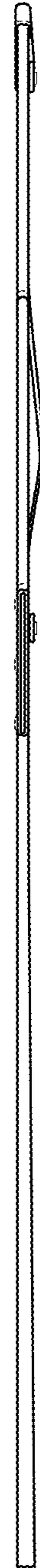


FIG. 4



FIG. 5



FIG. 6

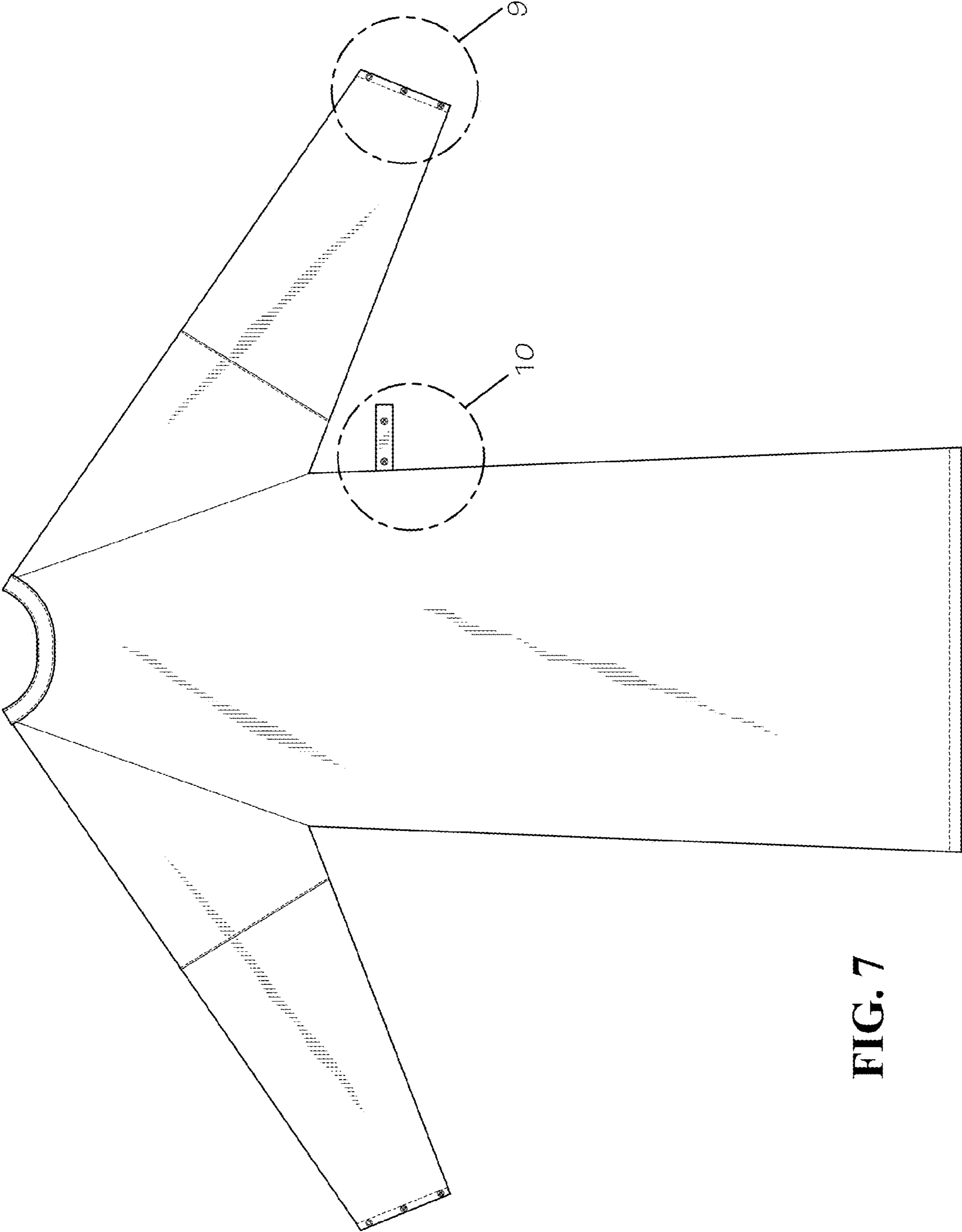


FIG. 7

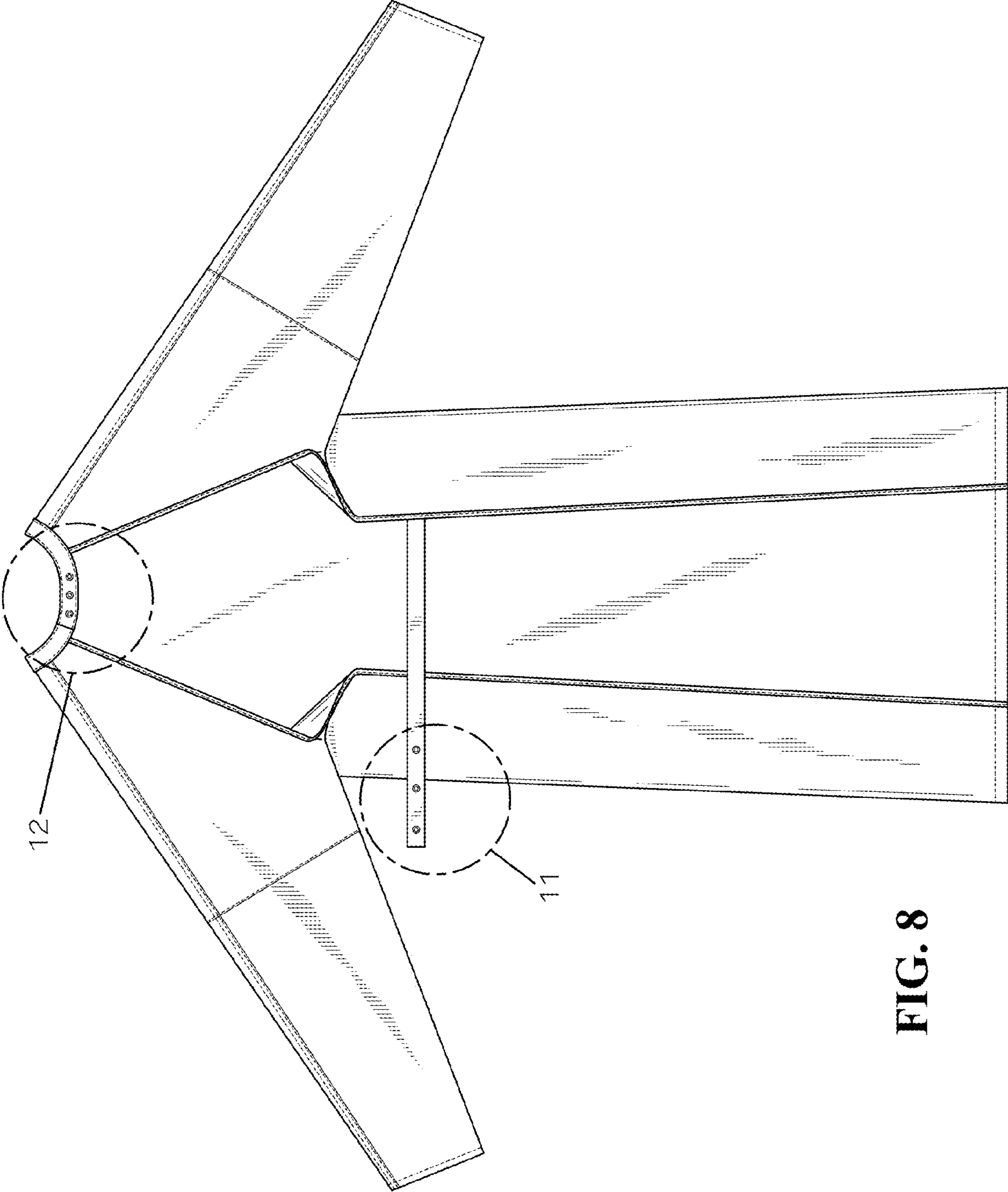


FIG. 8

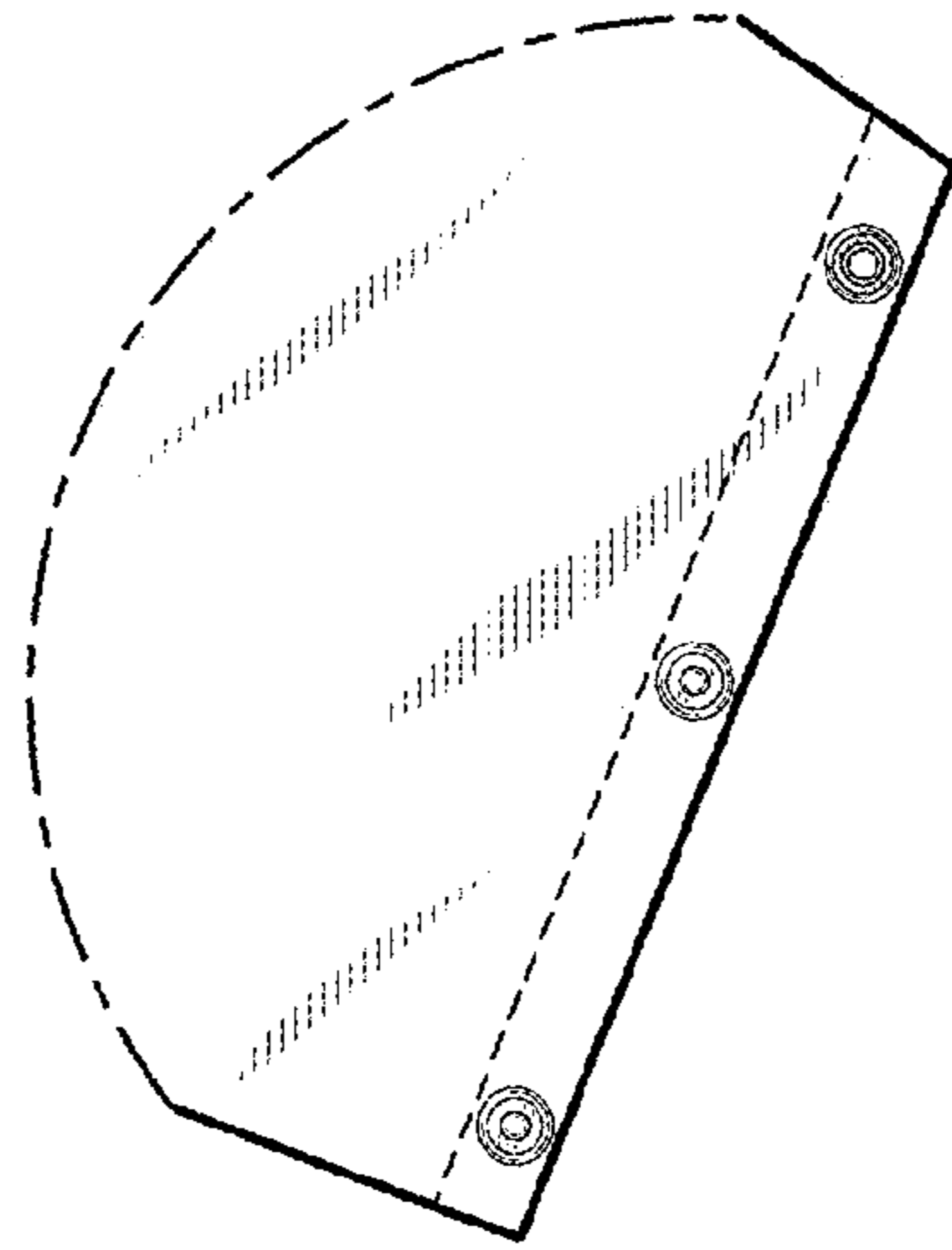


FIG. 9

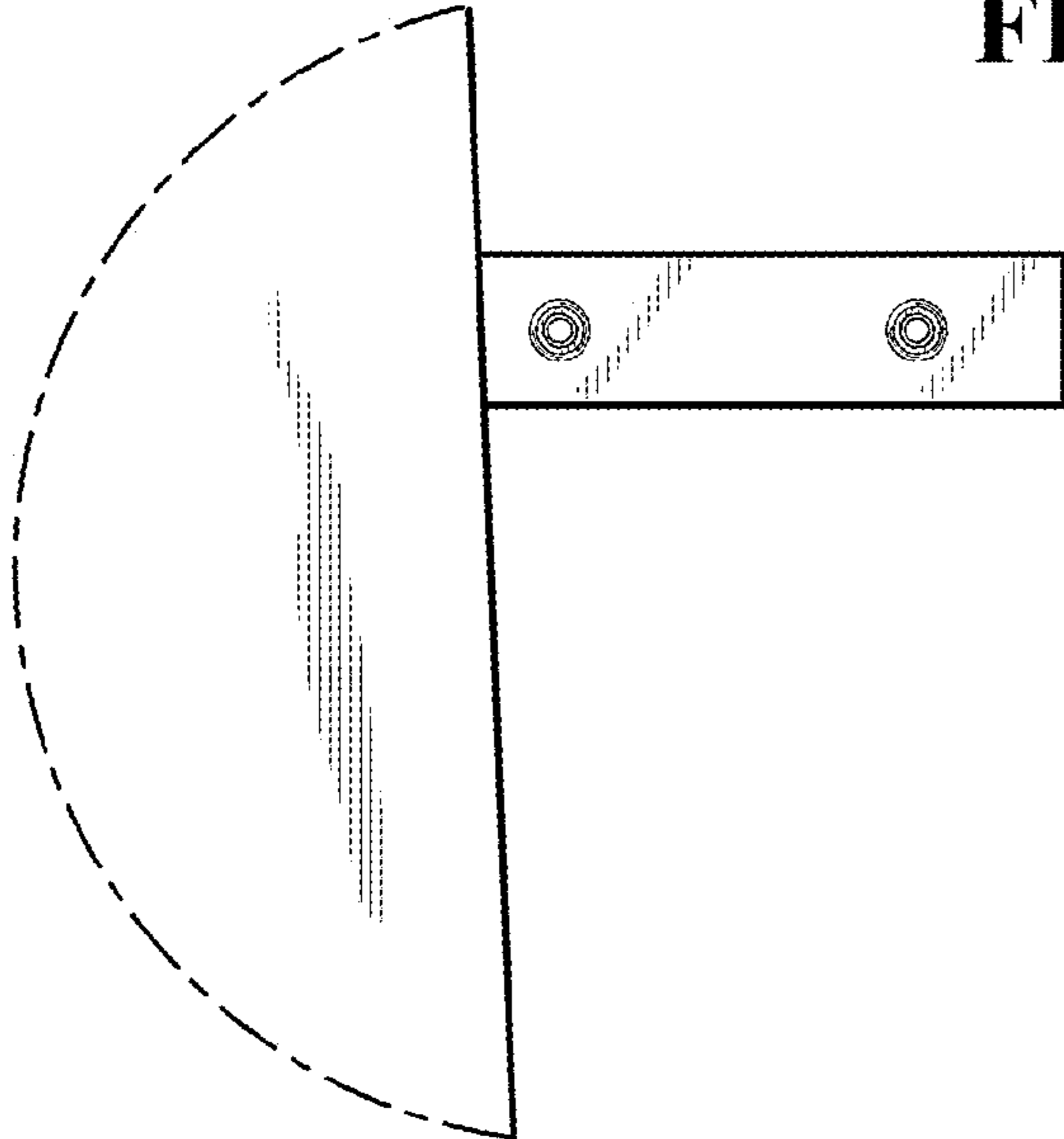


FIG. 10

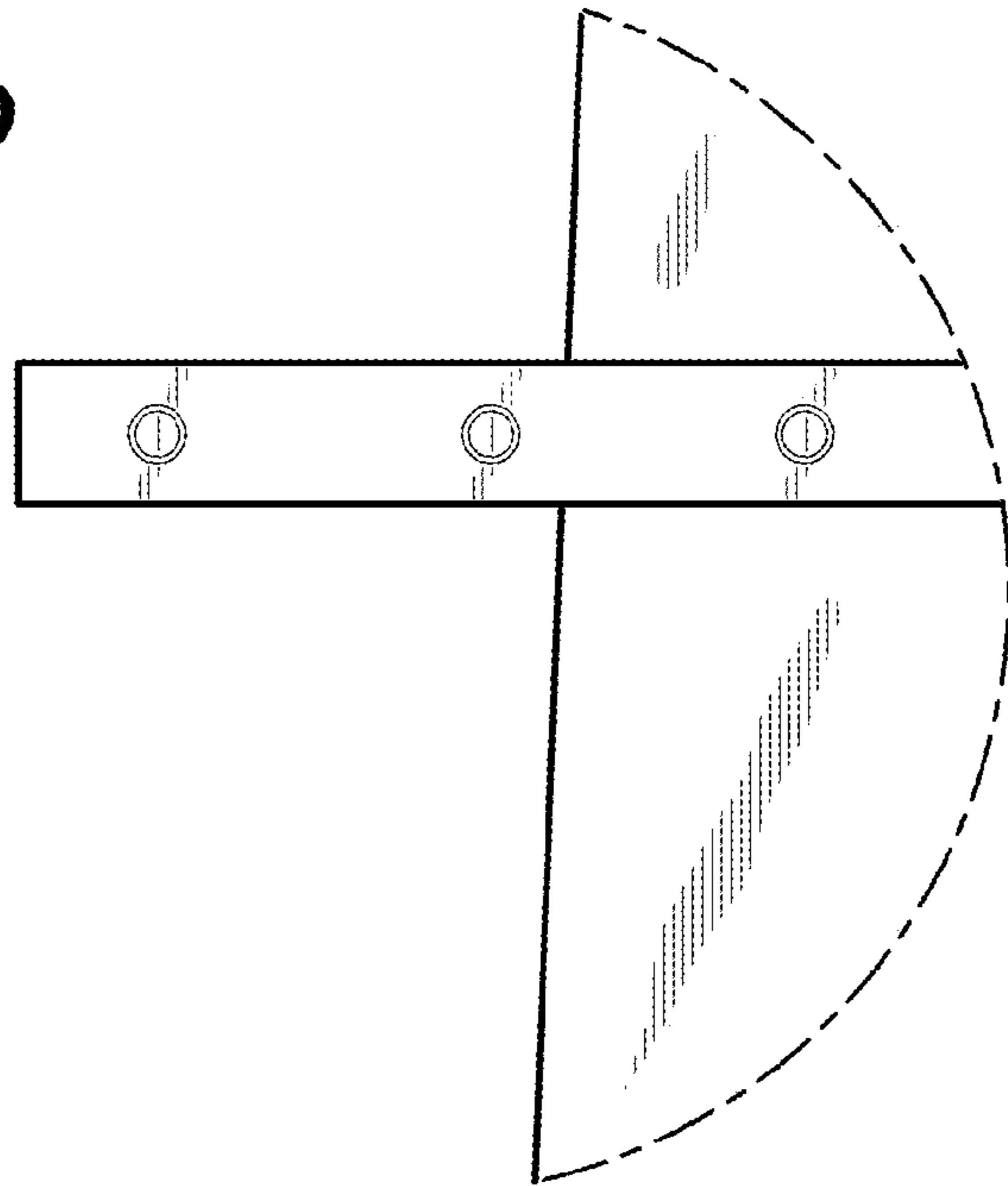


FIG. 11

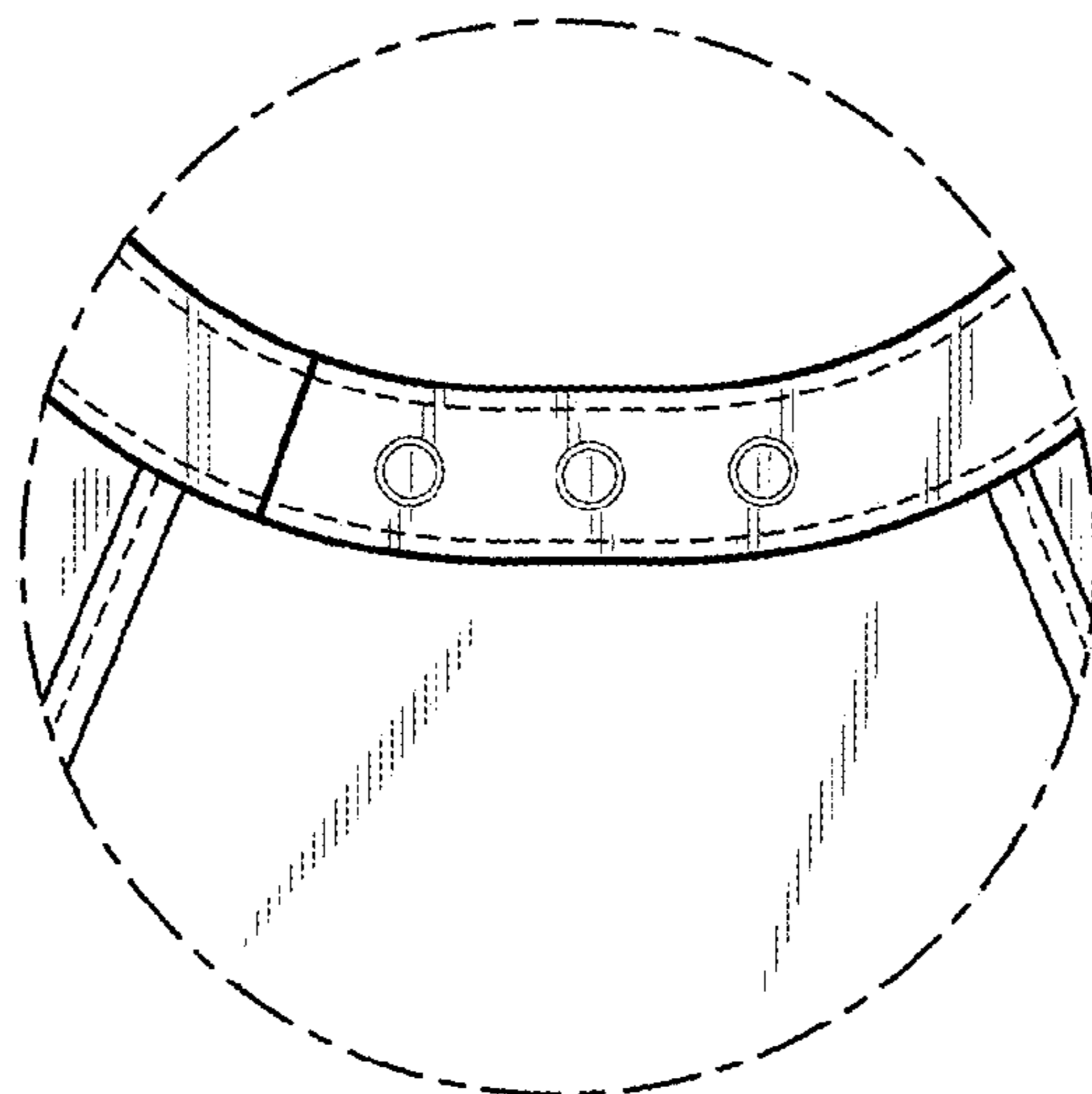


FIG. 12