



US00D913633S

(12) **United States Design Patent**  
**Yadrich**

(10) **Patent No.:** **US D913,633 S**  
(45) **Date of Patent:** **\*\* Mar. 23, 2021**

(54) **ITEM OF APPAREL**

(71) Applicant: **Donna Macan Yadrich**, Kansas City, KS (US)

(72) Inventor: **Donna Macan Yadrich**, Kansas City, KS (US)

(73) Assignee: **Donna Macan Yadrich**, Kansas City, KS (US)

(\*\*) Term: **15 Years**

(21) Appl. No.: **29/643,573**

(22) Filed: **Apr. 10, 2018**

(51) **LOC (13) Cl.** ..... **02-02**

(52) **U.S. Cl.**  
USPC ..... **D2/717**

(58) **Field of Classification Search**  
USPC ..... D2/847, 840, 717, 720  
CPC ..... A41D 13/1245; A41D 13/1236  
See application file for complete search history.

(56) **References Cited**

**U.S. PATENT DOCUMENTS**

1,489,046	A	4/1924	Thompson	
1,797,604	A	3/1931	Burgdorfer	
2,675,555	A	4/1954	Peronto	
4,422,186	A *	12/1983	Loney	A41D 13/129 2/114
4,570,268	A *	2/1986	Freeman	A41D 13/1236 2/114
4,612,673	A *	9/1986	Underhill	A41D 13/1236 2/114
4,718,124	A *	1/1988	Sawicki	A41D 13/129 2/114
5,062,159	A *	11/1991	Jakub	A41D 13/1236 2/105
5,133,086	A *	7/1992	Truitt	A41D 13/1236 2/105

(Continued)

**FOREIGN PATENT DOCUMENTS**

DE 29517010 \* 2/1995  
EM 003176312-0006 10/2016

**OTHER PUBLICATIONS**

Men's Pro PT Tee by reboundwear, posted to instagram.com. Available date: Oct. 28, 2015 [site visited Jul. 13, 2020] Available: <<https://www.instagram.com/p/9Xfy-qDrZq/>> (Year: 2015).\*

(Continued)

*Primary Examiner* — Kevin K Rudzinski

(74) *Attorney, Agent, or Firm* — Avant Law Group, LLC

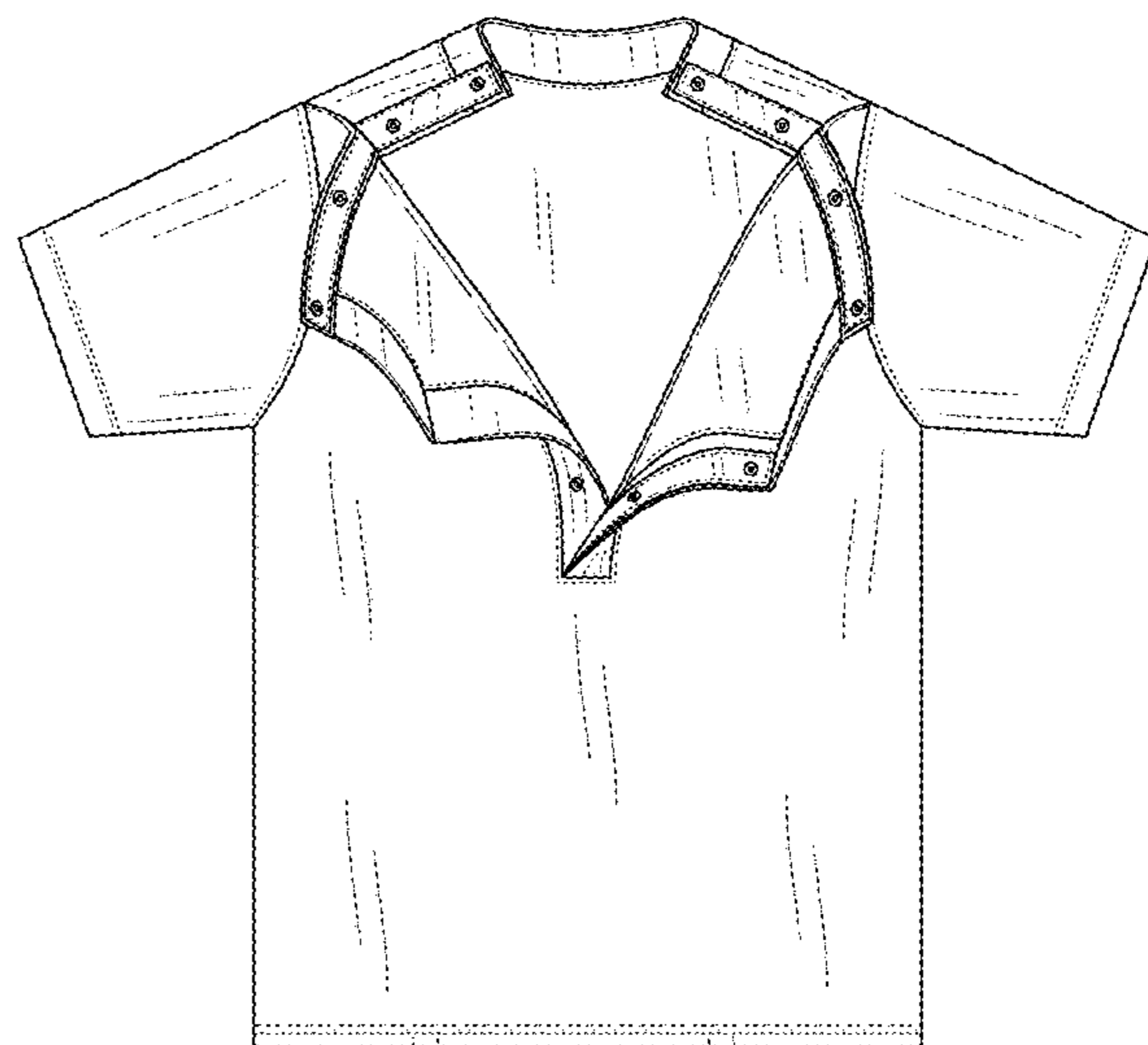
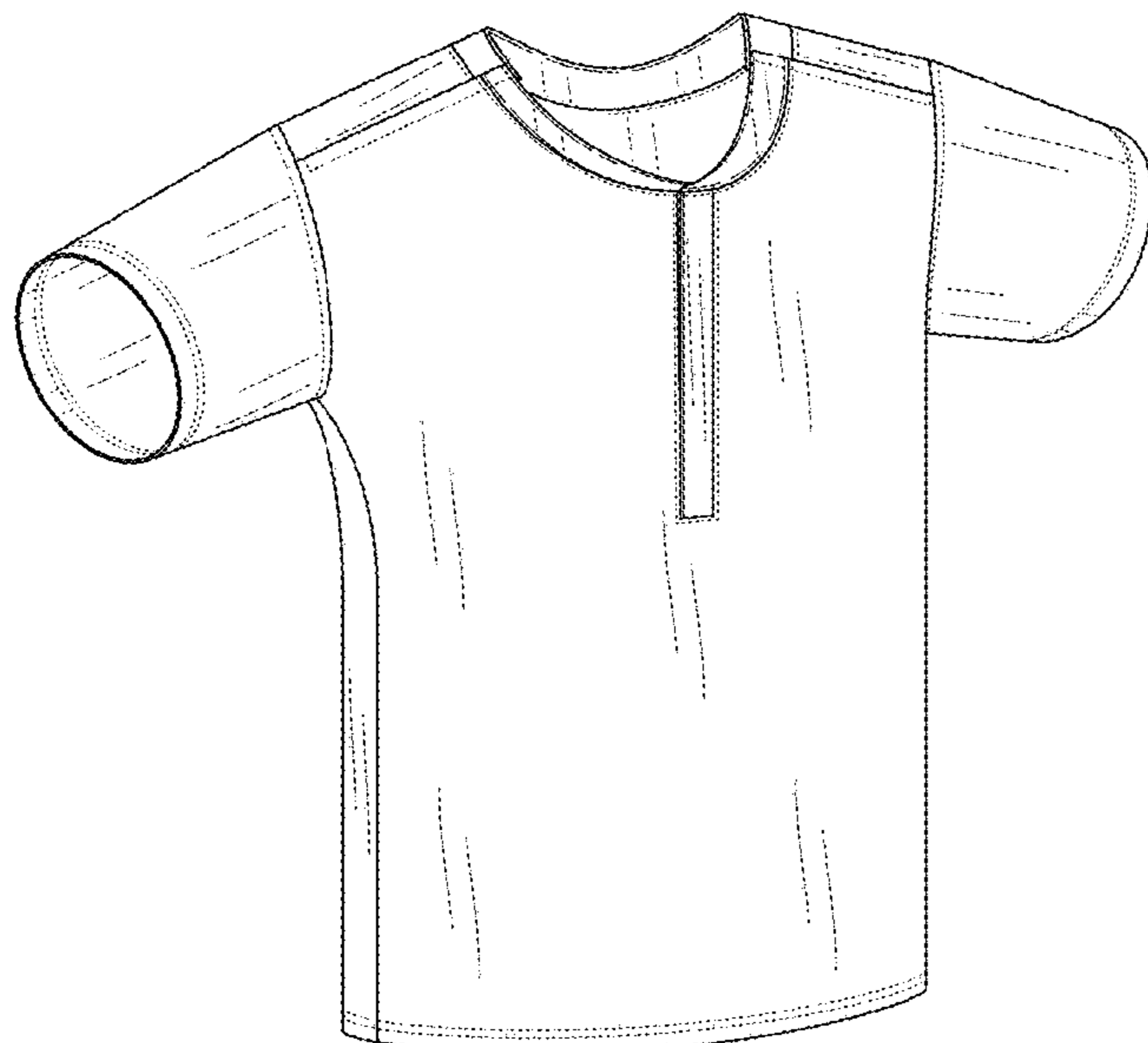
(57) **CLAIM**

The ornamental design for an item of apparel, as shown and described.

**DESCRIPTION**

FIG. 1 is a front perspective view of the item of apparel showing the new design in a closed configuration. FIG. 2 is a front view of the item of apparel of FIG. 1. FIG. 3 is a rear view of the item of apparel of FIG. 1. FIG. 4 is a right side view of the item of apparel of FIG. 1. FIG. 5 is a left side view of the item of apparel of FIG. 1. FIG. 6 is a top view of the item of apparel of FIG. 1. FIG. 7 is a bottom view of the item of apparel of FIG. 1. FIG. 8 shows the item of apparel of FIG. 1 in a semi-open configuration. FIG. 9 shows a close-up perspective view of an attachment mechanism of the item of apparel of FIG. 1; and, FIG. 10 shows the item of apparel of FIG. 1 in an open configuration. Broken lines in the drawings illustrate claimed stitching.

**1 Claim, 7 Drawing Sheets**



(56)

References Cited

U.S. PATENT DOCUMENTS

5,222,258 A \* 6/1993 Mucci ..... A41F 1/00  
2/101  
5,553,323 A 9/1996 Chou et al.  
D374,970 S 10/1996 Jagger  
5,611,087 A \* 3/1997 Adkins ..... A41D 13/1236  
2/114  
D381,488 S \* 7/1997 Small ..... D2/718  
5,799,330 A \* 9/1998 O'Donoghue-Kitt .....  
A41D 13/129  
2/114  
5,878,437 A \* 3/1999 Pater ..... A41D 13/1236  
2/114  
5,913,407 A \* 6/1999 Keyes ..... A41D 1/21  
2/83  
5,991,923 A \* 11/1999 Maria ..... A41D 13/1236  
2/114  
D432,225 S 10/2000 Fritsche  
6,216,271 B1 \* 4/2001 Chen ..... A41D 13/1245  
2/114  
6,694,521 B1 2/2004 Hopkins  
D490,214 S 5/2004 Murray-Benoit et al.  
D563,627 S \* 3/2008 Warren ..... D2/720  
D564,730 S \* 3/2008 Farrell ..... D2/720  
D565,279 S 4/2008 Farrell  
D571,079 S \* 6/2008 Gay ..... D2/717  
D574,126 S \* 8/2008 McCray ..... D2/720  
7,424,750 B2 \* 9/2008 Kerr ..... A41D 13/1236  
2/114  
D584,483 S \* 1/2009 Glynn ..... D2/720  
D584,882 S \* 1/2009 Trouillot ..... D2/720  
D612,126 S \* 3/2010 Milgrom ..... D2/720  
D613,035 S 4/2010 Lunt et al.  
D635,739 S \* 4/2011 Toms ..... D2/720  
D647,688 S \* 11/2011 Hilgart ..... D2/720  
D661,465 S 6/2012 Smith et al.  
8,359,666 B2 \* 1/2013 Appel ..... A41D 13/1245  
2/114  
8,375,466 B2 \* 2/2013 Tasezen ..... A41D 13/1236  
2/69  
8,533,867 B2 9/2013 Oprandi et al.  
D719,720 S 12/2014 Santana  
D722,743 S \* 2/2015 Nice ..... D2/717  
D727,595 S 4/2015 Lawson et al.  
D731,754 S 6/2015 Graham et al.  
D736,498 S \* 8/2015 Yadrich ..... D2/840  
D741,569 S \* 10/2015 Fredrickson ..... D2/720  
D759,351 S \* 6/2016 Hancock ..... D2/847  
D771,908 S 11/2016 Busch  
D783,946 S \* 4/2017 Marino ..... A41B 1/10  
D2/840  
D797,409 S \* 9/2017 Yadrich ..... D2/840  
D811,692 S \* 3/2018 Calucci ..... D2/720  
D816,292 S \* 5/2018 Feodoroff ..... D2/720  
D834,787 S \* 12/2018 Picot ..... D2/840  
10,219,558 B2 \* 3/2019 Terrell ..... A41D 13/1245  
D855,287 S \* 8/2019 Smith Corby ..... D2/720  
D856,633 S \* 8/2019 Morrison ..... D2/720

D857,336 S \* 8/2019 Calucci ..... D2/720  
D858,037 S \* 9/2019 Miller ..... D2/720  
D868,423 S \* 12/2019 Stoldt ..... D2/717  
D878,008 S \* 3/2020 Mosley ..... D2/720  
2003/0126668 A1 \* 7/2003 Scroggins ..... A41D 13/1236  
2/114  
2004/0010837 A1 1/2004 Graves  
2005/0193460 A1 9/2005 Moore  
2009/0100569 A1 \* 4/2009 Butler ..... A41F 1/00  
2/114  
2010/0017933 A1 1/2010 Taylor-Barry  
2010/0242150 A1 9/2010 Trouillot  
2012/0204317 A1 \* 8/2012 Bolla ..... A41D 13/1245  
2/114  
2012/0246796 A1 \* 10/2012 Dunn ..... A41D 13/129  
2/114  
2012/0266349 A1 10/2012 Rolando  
2013/0191959 A1 \* 8/2013 Quiroga ..... A41D 13/1245  
2/114  
2015/0059048 A1 3/2015 Stanley et al.  
2015/0101102 A1 \* 4/2015 Theodossiou ..... A41D 13/1245  
2/114  
2015/0157069 A1 \* 6/2015 Hieber ..... A41D 13/1245  
2/114  
2015/0223529 A1 \* 8/2015 Helgerson ..... A41D 13/1245  
2/114  
2015/0374048 A1 \* 12/2015 Theodossiou ..... A41D 13/1245  
2/114  
2019/0014836 A1 \* 1/2019 Zingaro ..... A41D 13/1254

OTHER PUBLICATIONS

Mastectomy Recovery Front Opening Shirt by Pink Pockets, posted  
www.mastectomydesigns.com. Available date: Mar. 21, 2018 [site  
visited Jul. 13, 2020] Available: <<http://www.mastectomydesigns.com/store/p71/frontopeningshirtwithdrainpockets.html>> (Year: 2018).  
Kingsize Men's Big & Tall Henley Shirt posted to amazon.com.  
Available date: Apr. 12, 2014 [site visited Dec. 9, 2020] Available:  
<[https://www.amazon.com/KingSize-Lightweight-Henley-T-Shirt-Big-3XL/dp/B07HYJYYP1/ref=sr\\_1\\_22?dchild=1&keywords=henley%2Bshirt&qid=1607542570&sr=8-22&th=1](https://www.amazon.com/KingSize-Lightweight-Henley-T-Shirt-Big-3XL/dp/B07HYJYYP1/ref=sr_1_22?dchild=1&keywords=henley%2Bshirt&qid=1607542570&sr=8-22&th=1)> (Year: 2014).  
Network 54. <URL: <http://www.network54.com/Forum/567138/thread/1226757637/last-1226803804/D-odge+Davis+Vintage+Uniform+questions>>. Nov. 15, 2008. Dodge Davis Vintage Uniform with curved V-neck center front opening.  
Medical Rehab Wear. <URL: <http://store.medicalrehabwearinc.com/t-shirt-style-5>>. Visited Dec. 31, 2014. Shirt with hidden snaps under arms and sides.  
Medical Rehab Wear. <URL: <http://store.medicalrehabwearinc.com/catalog/product/9c79600185b442388c7e-f8302196c6dc>>. Visited Mar. 23, 2015. Shirt with hidden snap opening at center front.  
Medical Rehab Wear. <URL: <http://store.medicalrehabwearinc.com/t-shirt-style-2-short-sleeve>>. Visited Mar. 23, 2015. Shirt with hidden snaps under arms and sides.  
Etsy. <URL: <https://www.etsy.com/listing/465989059/both-side-open-post-op-shoulder-clothing?ref=related-3>> Apr. 20, 2017. Post Op shirt with opening at both sides.

\* cited by examiner

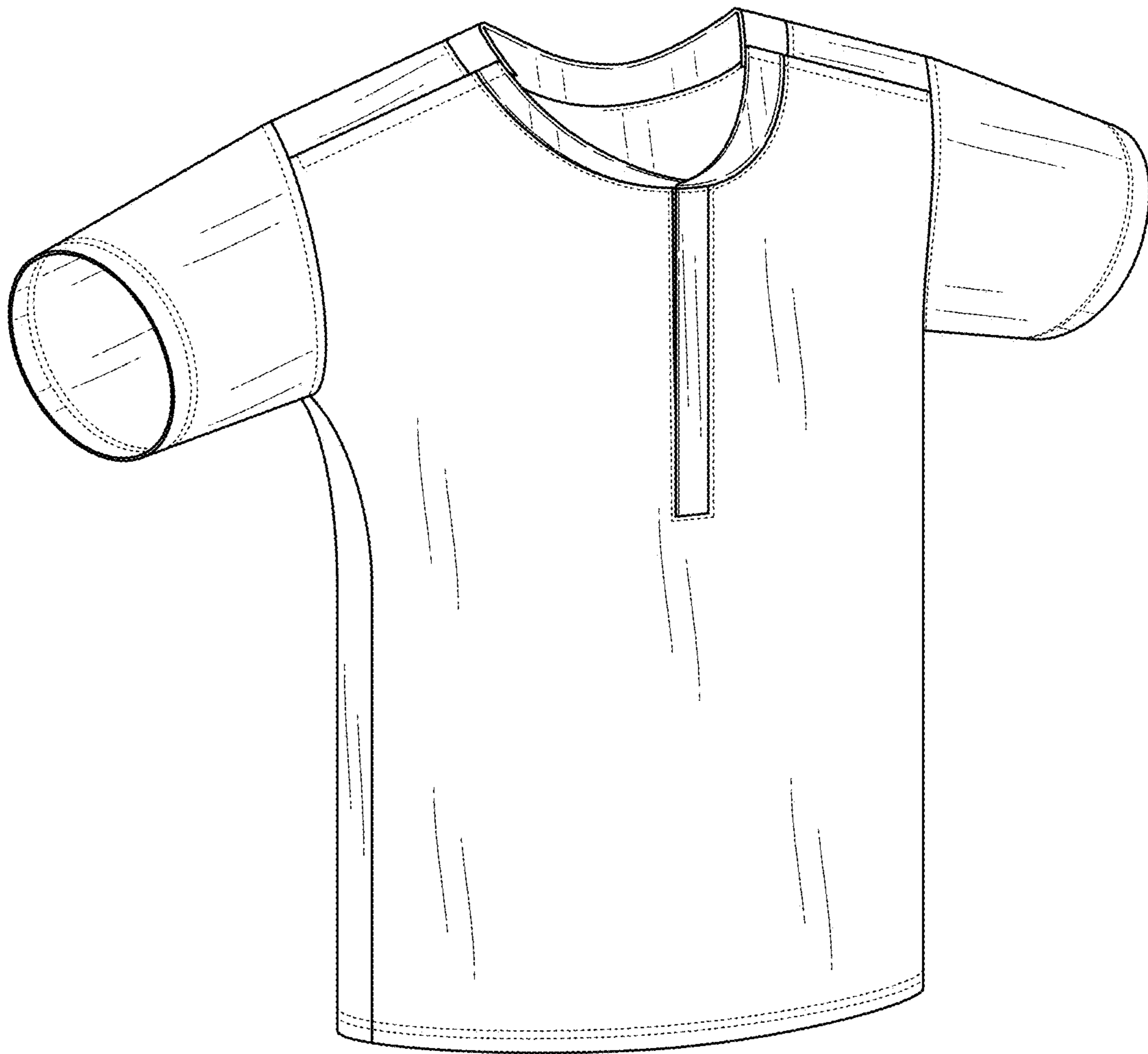


FIG. 1

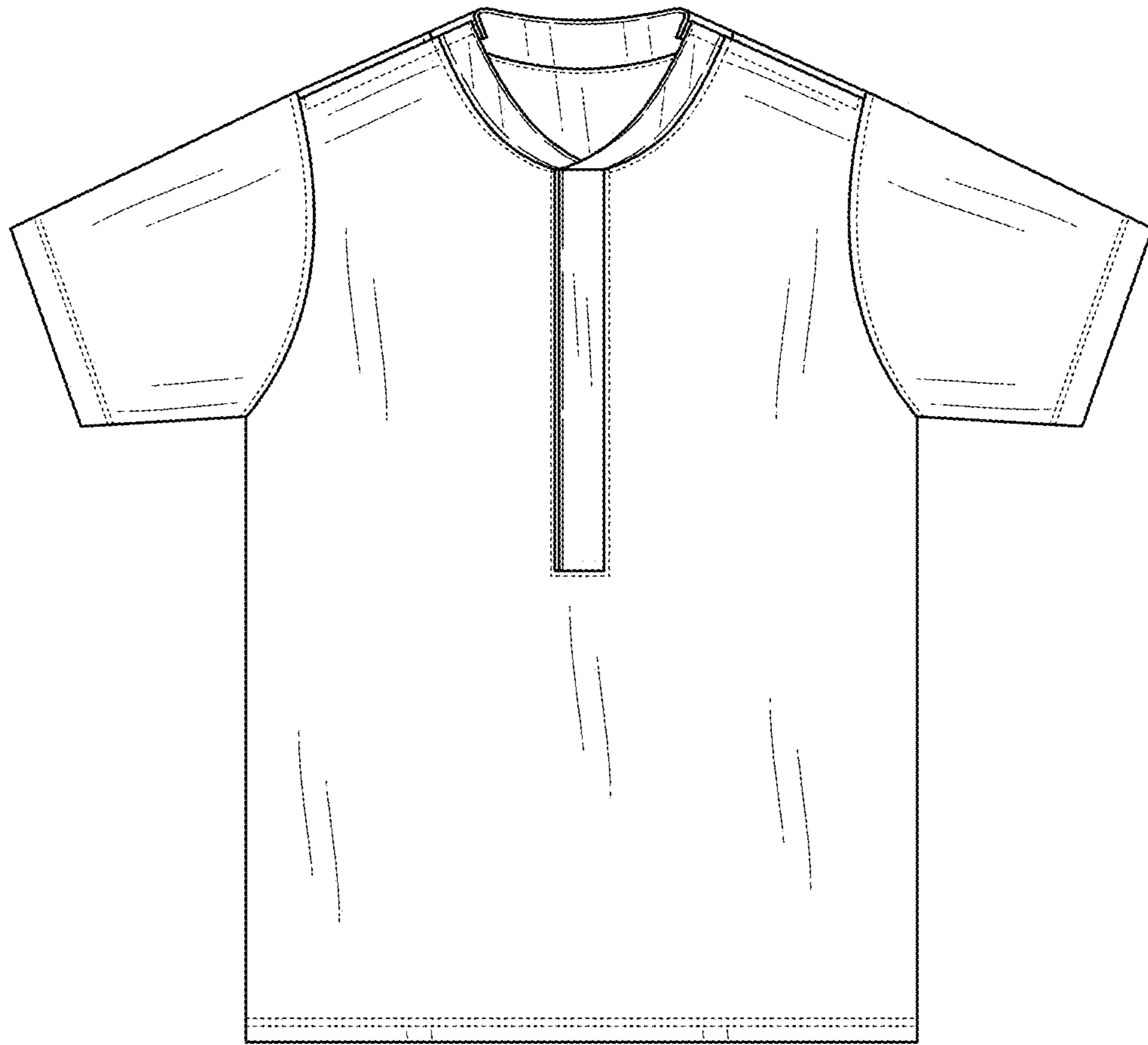


FIG. 2

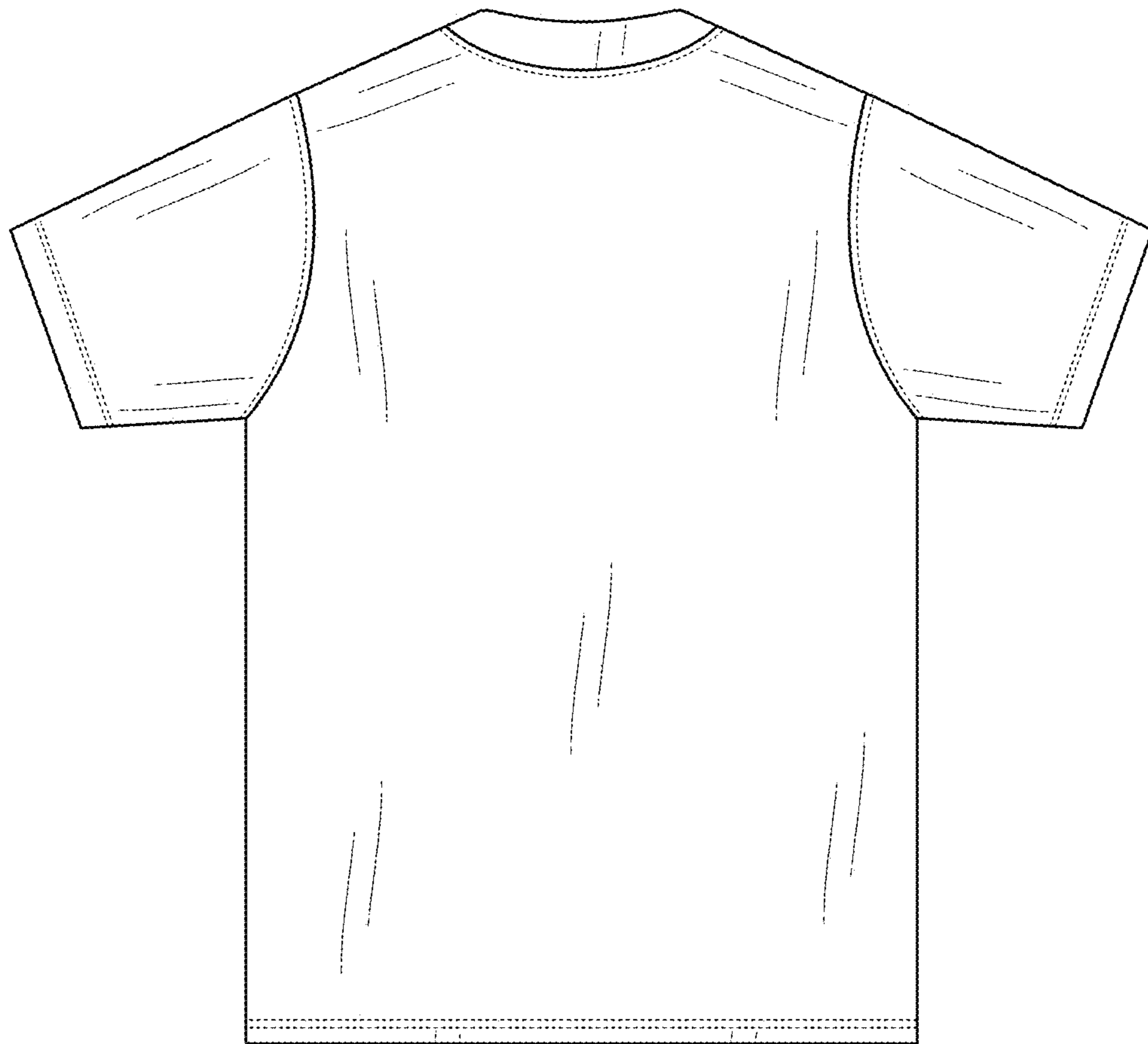


FIG. 3

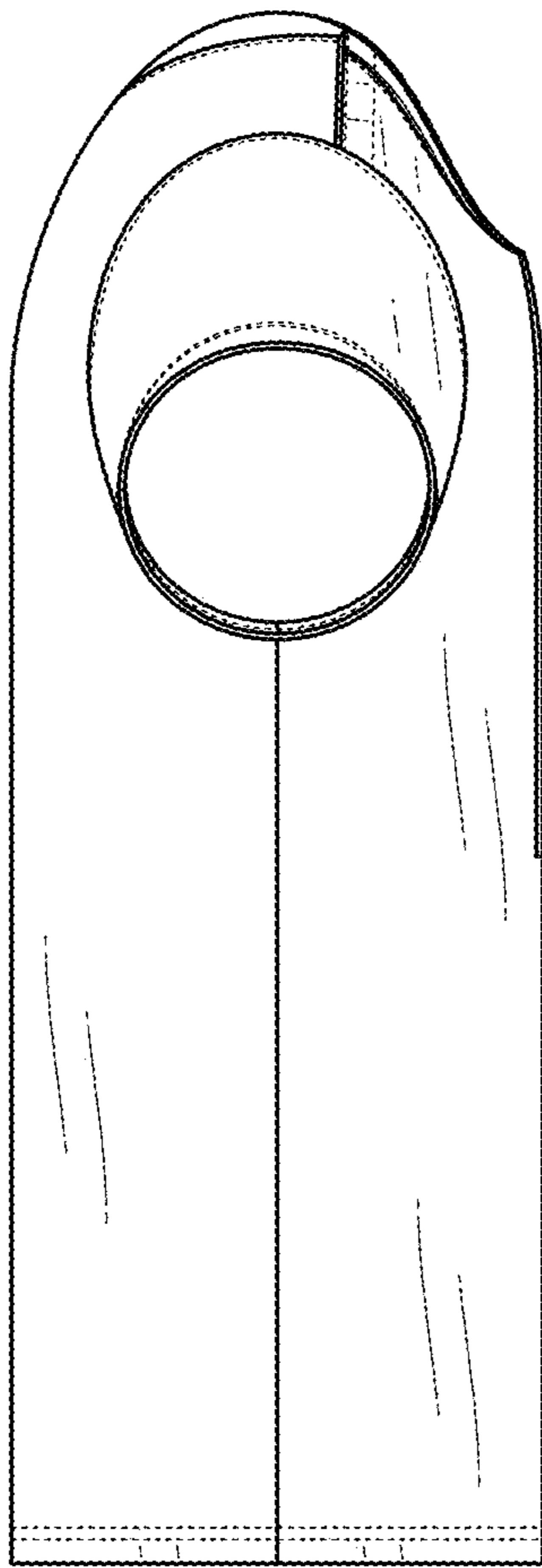


FIG. 4

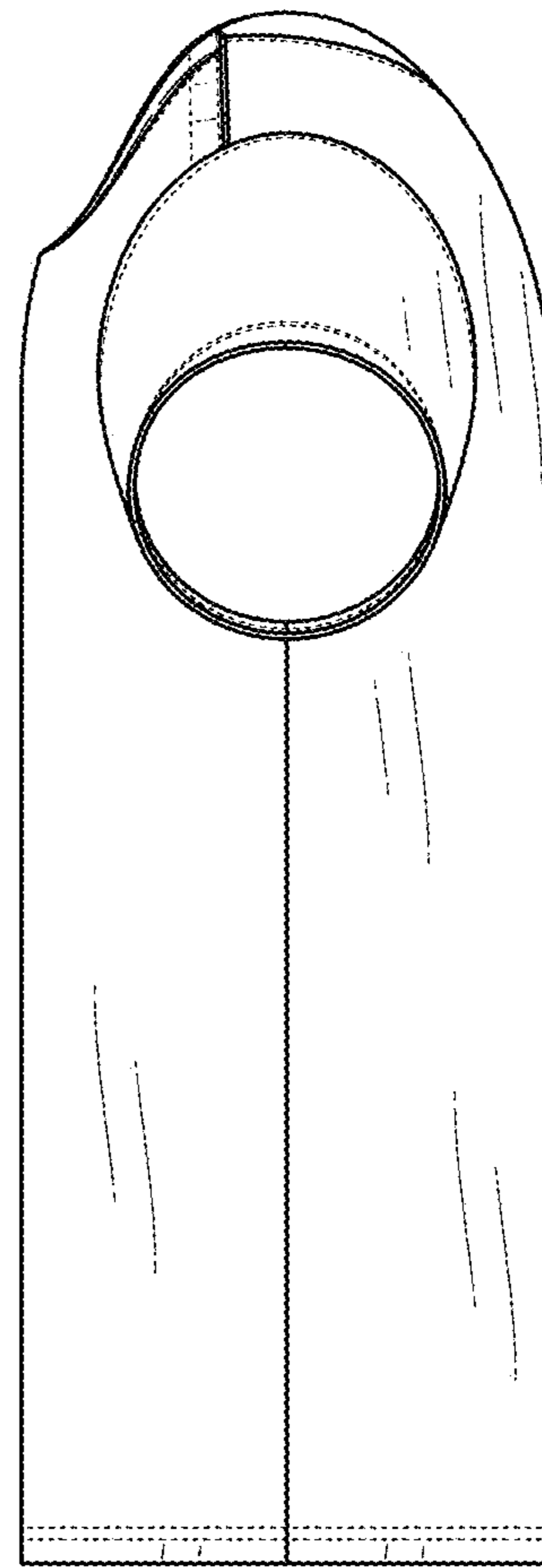


FIG. 5

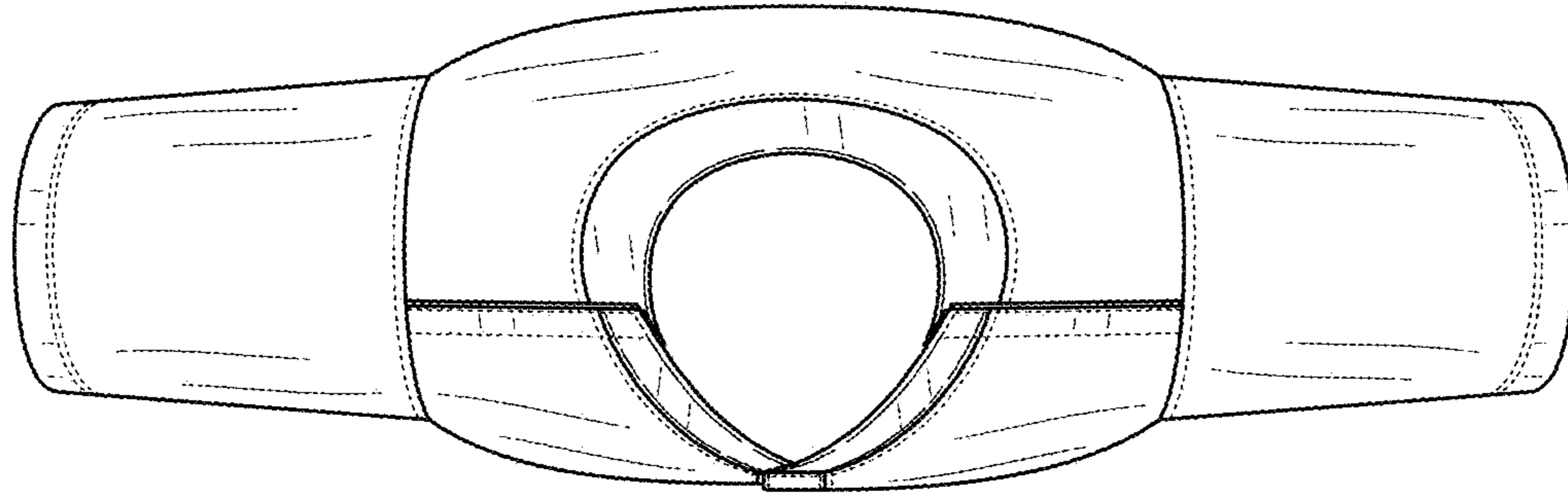


FIG. 6

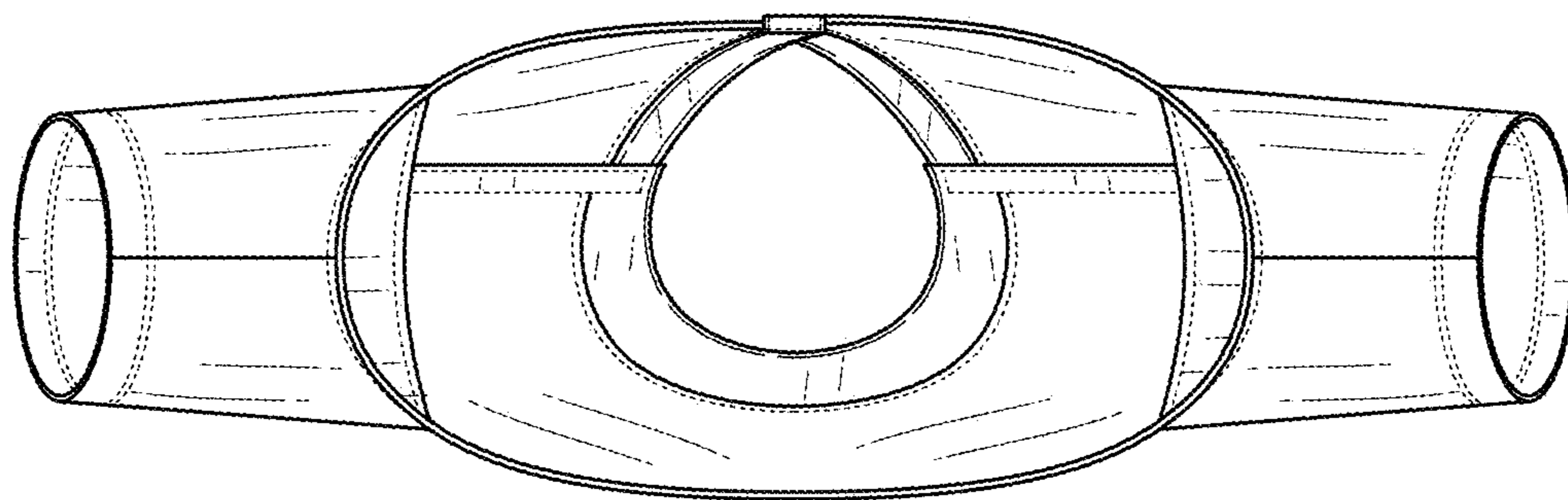


FIG. 7

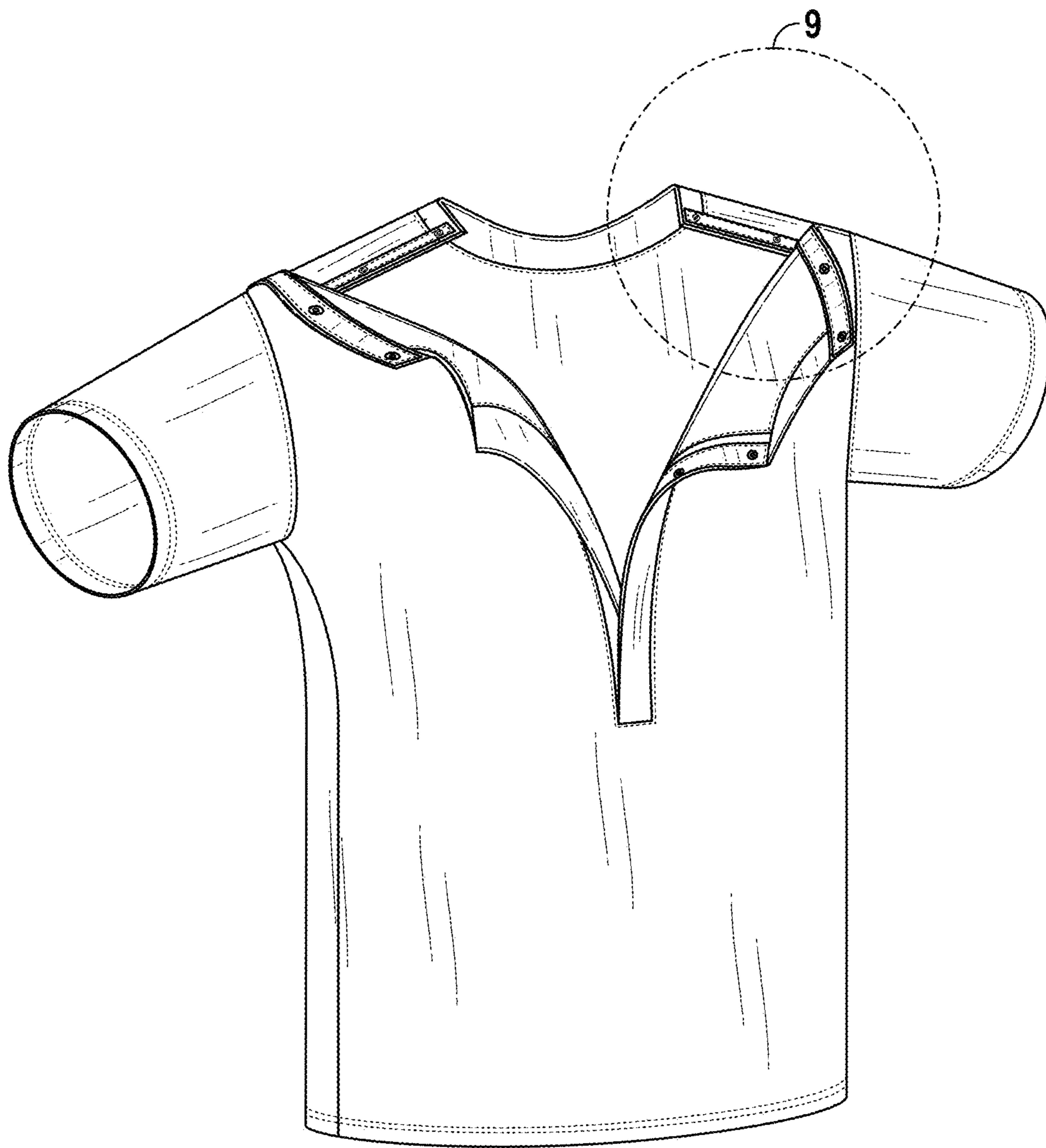


FIG. 8



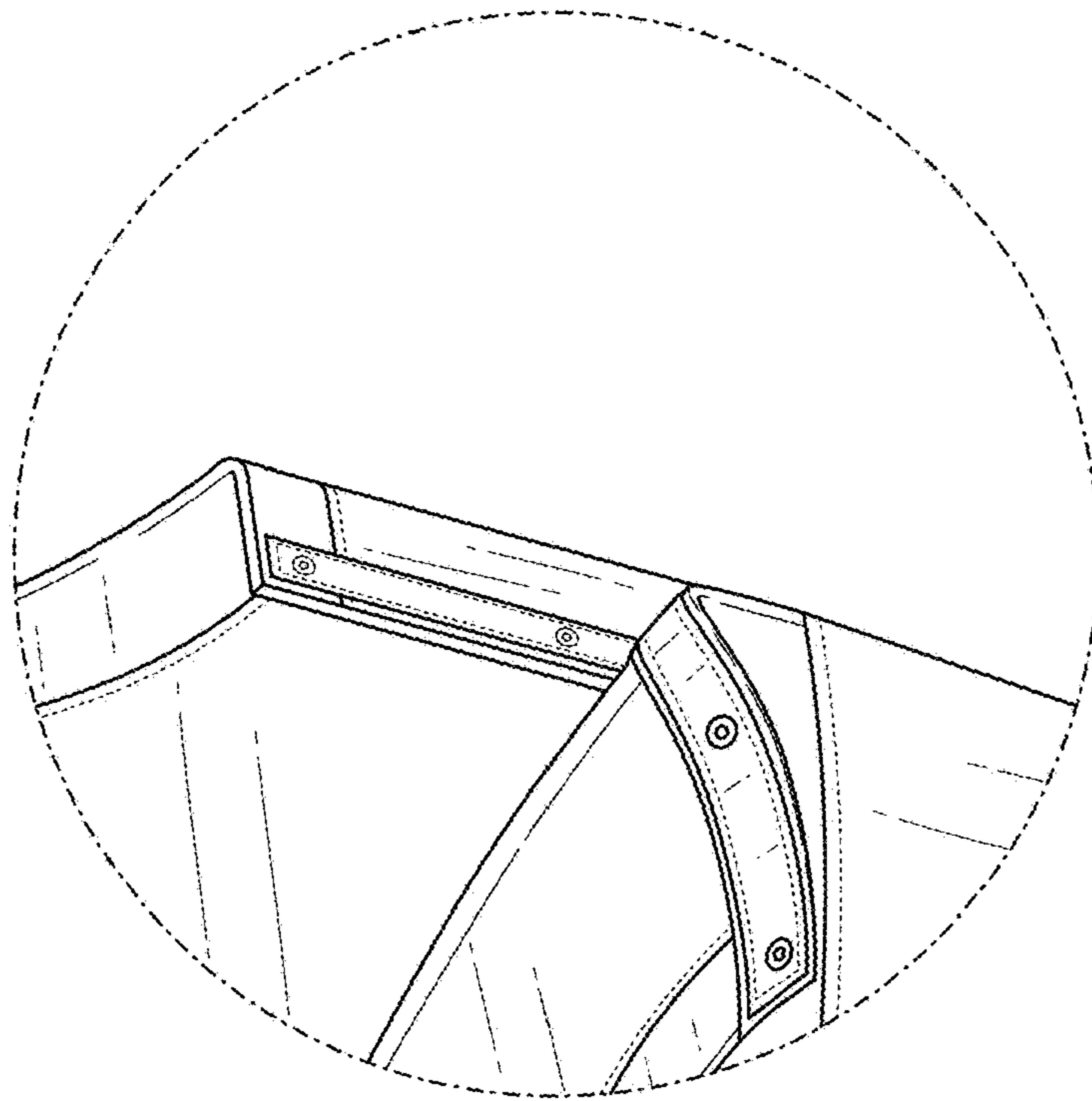


FIG. 9

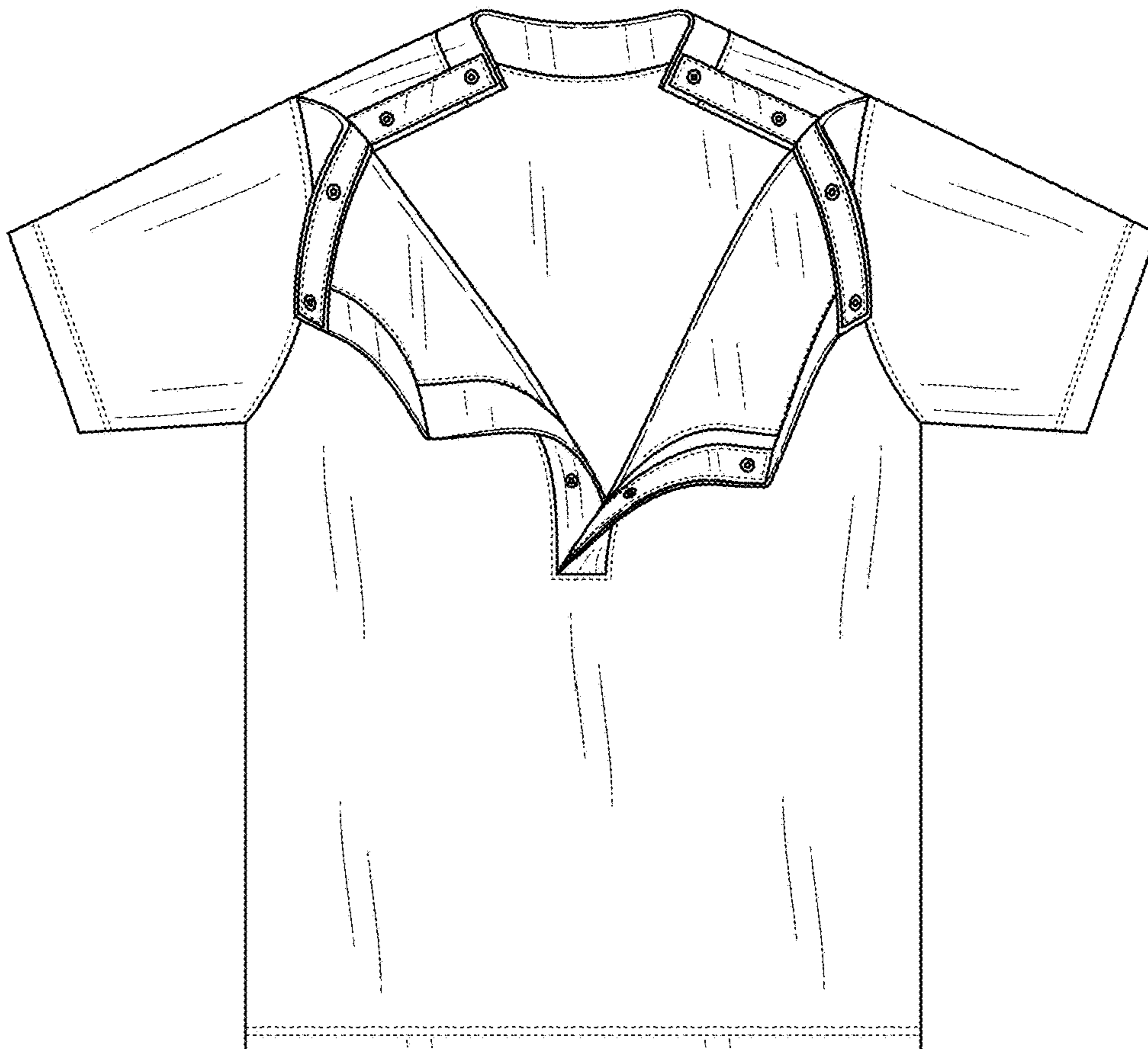


FIG. 10