



US00D913630S

(12) **United States Design Patent**
Mei

(10) **Patent No.:** **US D913,630 S**

(45) **Date of Patent:** **** Mar. 23, 2021**

(54) **WAIST TRAINER**

(71) Applicant: **Goldman international limited,**
Denver, CO (US)

(72) Inventor: **Laifu Mei,** Wuhan (CN)

(**) Term: **15 Years**

(21) Appl. No.: **29/743,297**

(22) Filed: **Jul. 21, 2020**

(51) **LOC (13) Cl.** **02-01**

(52) **U.S. Cl.**

USPC **D2/702;** D24/190

(58) **Field of Classification Search**

USPC D2/701-702, 624, 627; D24/190

CPC A41F 9/00; A41F 9/02; A41F 9/25; A61F
5/024

See application file for complete search history.

(56) **References Cited**

U.S. PATENT DOCUMENTS

D278,657 S *	4/1985	Nakao	D2/702
4,920,581 A *	5/1990	Gray	A41F 9/02
			2/221
D349,767 S *	8/1994	Courtet	D24/190
D660,439 S *	5/2012	Chen	D24/190
D710,569 S	8/2014	Pelengaris	
D728,804 S *	5/2015	Hansen	D24/190
D743,668 S	11/2015	Holloway et al.	
D784,546 S *	4/2017	Gordon	D24/190
D793,027 S	8/2017	Kulish et al.	
D826,516 S *	8/2018	Vopni	D2/624
D875,261 S *	2/2020	Liu	D24/190
D881,515 S *	4/2020	Mei	D2/702
D884,198 S *	5/2020	Mei	D24/190
D884,199 S *	5/2020	Mei	D24/190
D884,200 S *	5/2020	Mei	D24/190
2019/0343673 A1 *	11/2019	Wolanske	A61F 5/028

OTHER PUBLICATIONS

Moolida Waist Trainer Belt for Women Waist Trimmer Weight Loss Workout Fitness Back Support Belts , posted 2019 [online], (retrieved Jan. 19, 2021) Retrieved from the internet, https://www.amazon.com/Moolida-Trainer-Trimmer-Workout-Fitness/dp/B07Y9N17YH/ref=sr_1_45?dchild=1&keywords=women%27s+waist+train (Year: 2019).*

Waist Trainer guide to thin your waistline , posted 2018 [online], (retrieved Jan. 19, 2021) Retrieved from the internet, <https://www.movetogetherfitness.com/waist-trainer-guide-thin-waistline/> (Year: 2018).*

* cited by examiner

Primary Examiner — Kevin K Rudzinski

Assistant Examiner — J. Thorn, Sr.

(74) *Attorney, Agent, or Firm* — HYIP

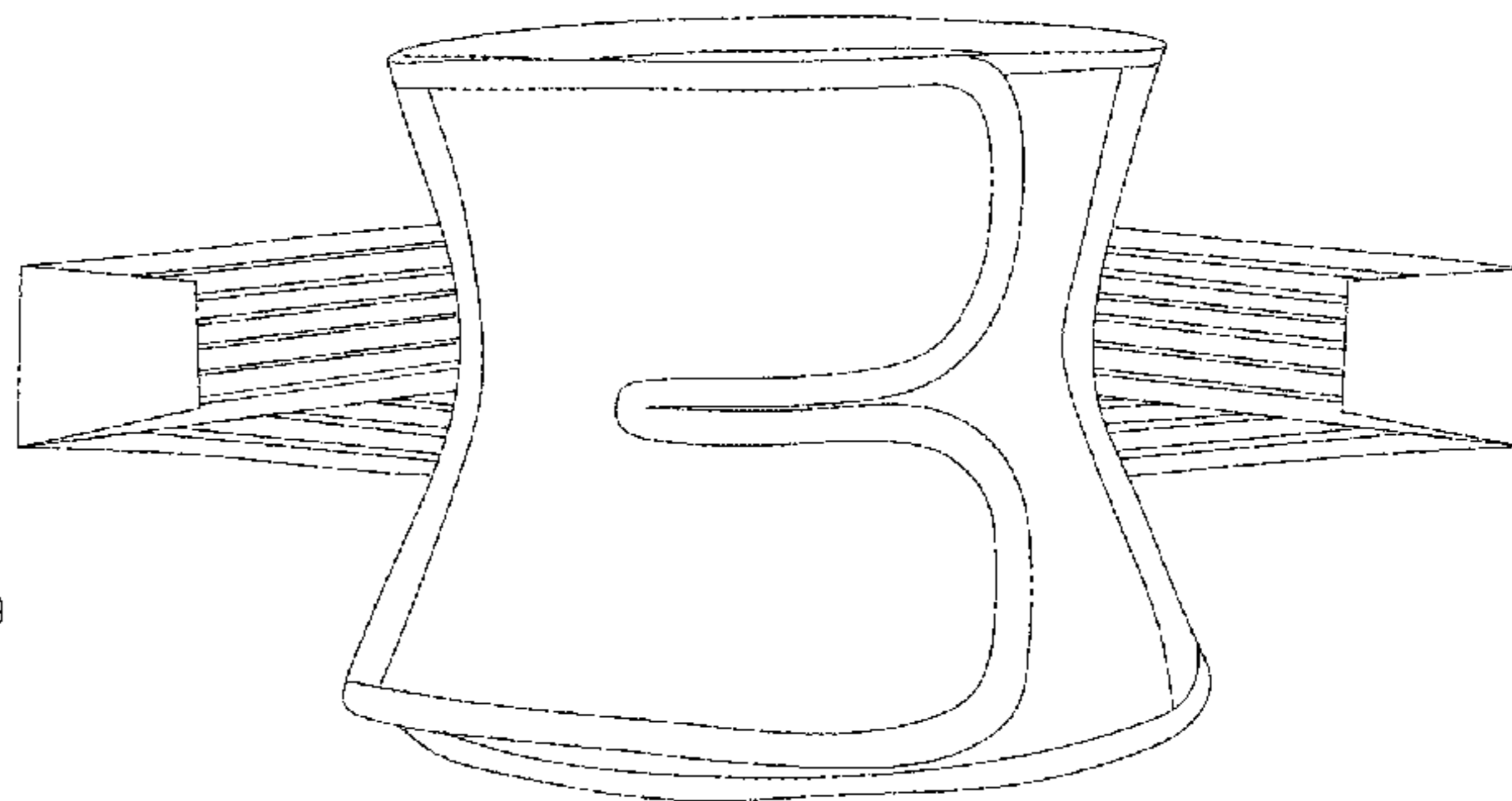
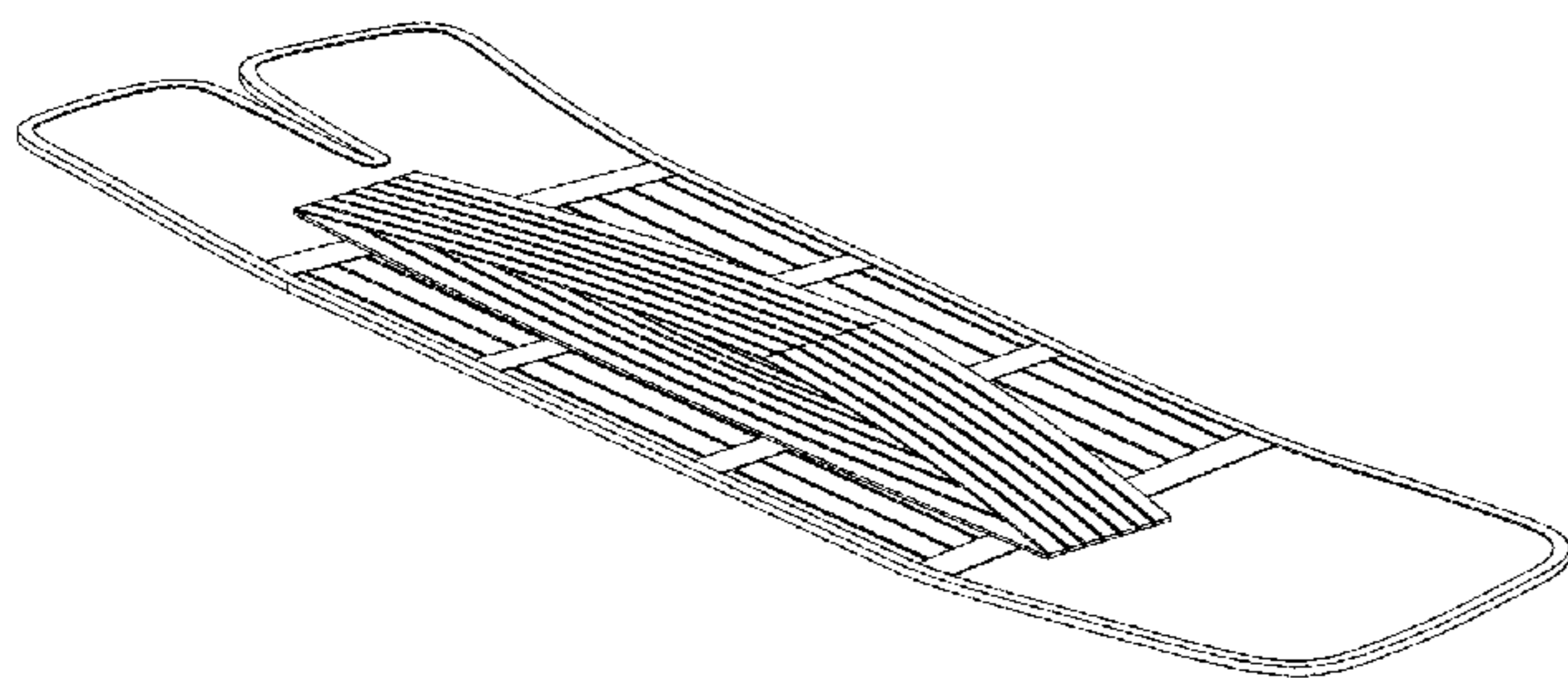
(57) **CLAIM**

The ornamental design for a waist trainer, as shown and described.

DESCRIPTION

FIG. 1 is a perspective view of a waist trainer showing my new design;
FIG. 2 is a front view thereof;
FIG. 3 is a back view thereof;
FIG. 4 is a left side view thereof;
FIG. 5 is a right side view thereof;
FIG. 6 is a top view thereof;
FIG. 7 is a bottom view thereof; and,
FIG. 8 is a front view thereof, shown in an alternate configuration.

1 Claim, 8 Drawing Sheets



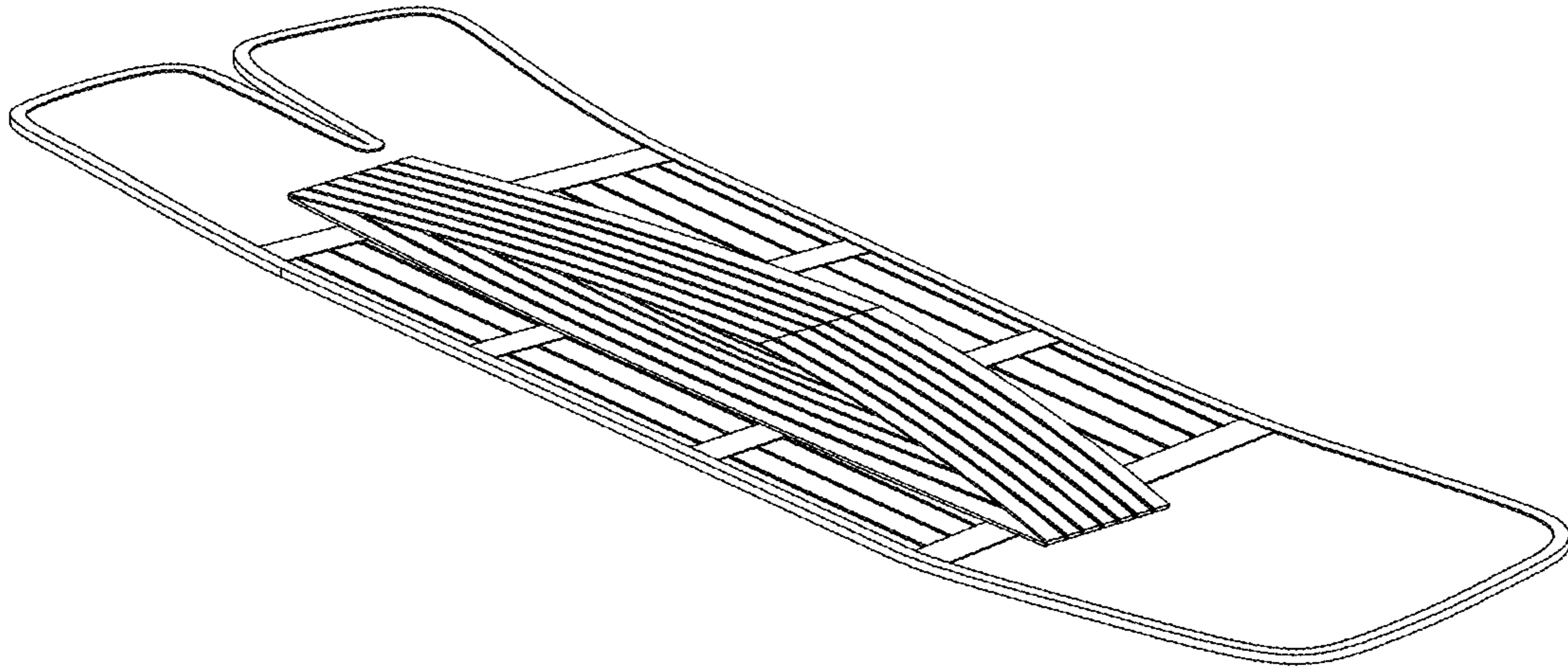


FIG. 1

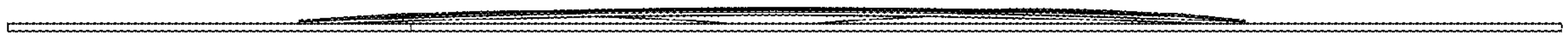


FIG. 2

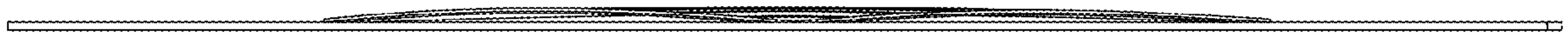


FIG. 3

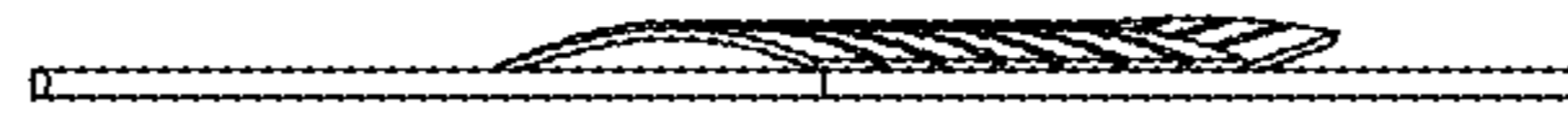


FIG. 4

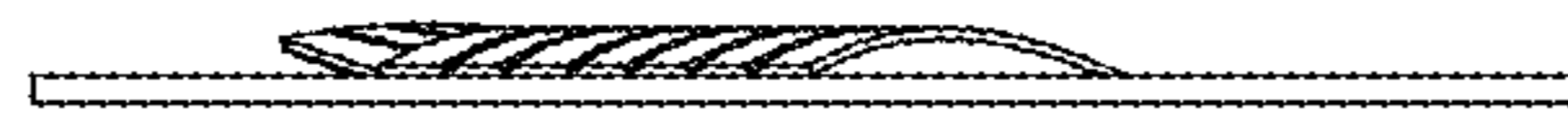


FIG. 5

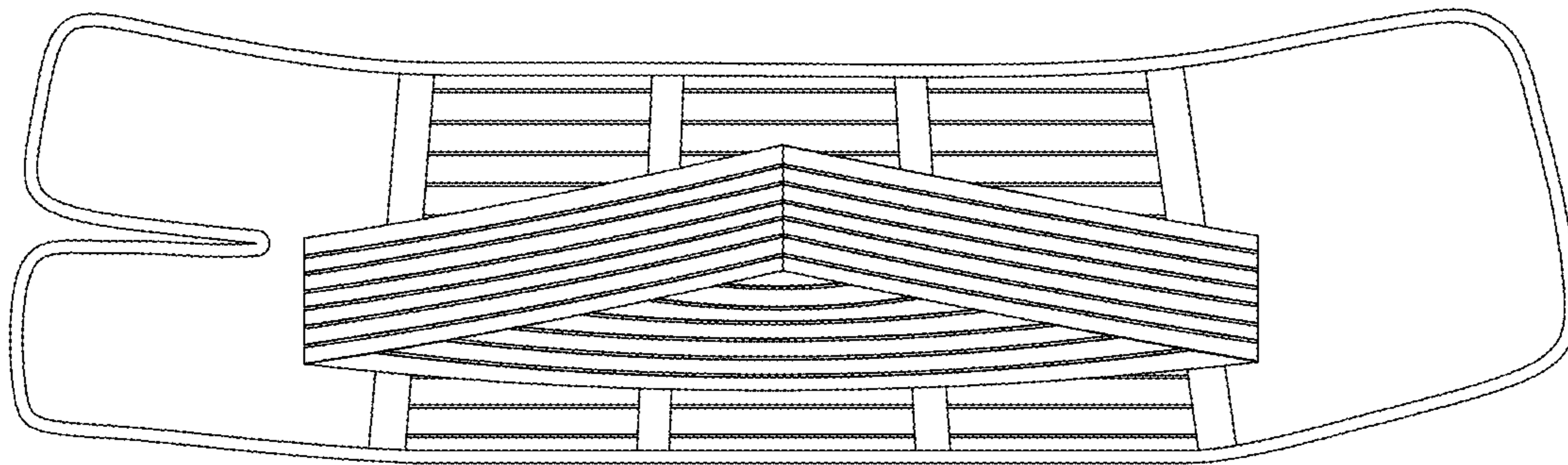


FIG. 6

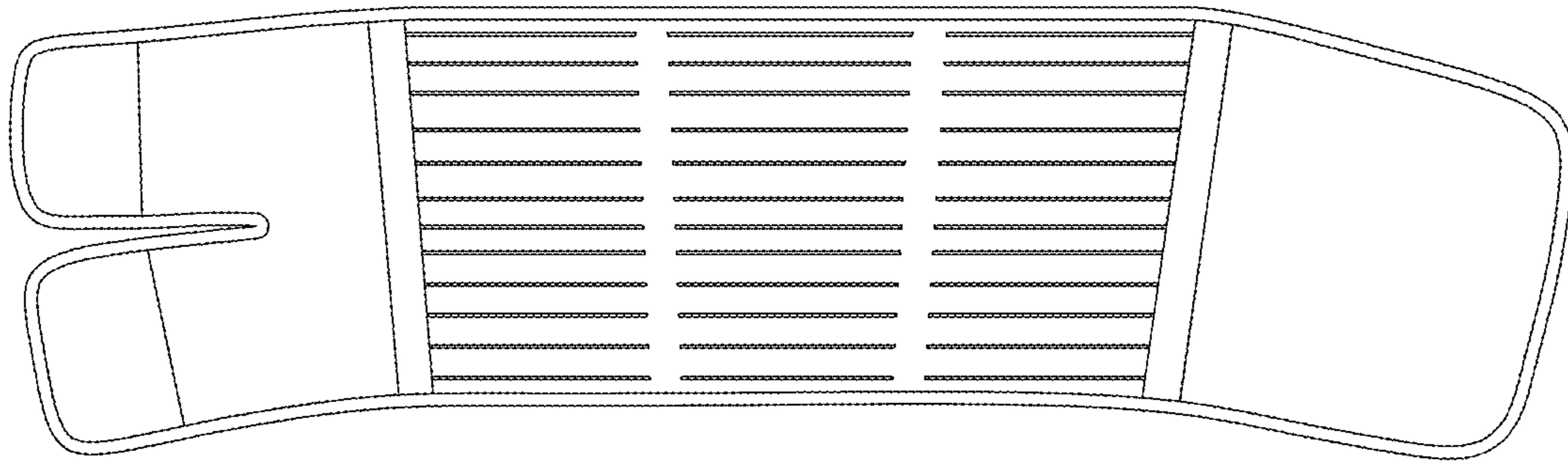


FIG. 7

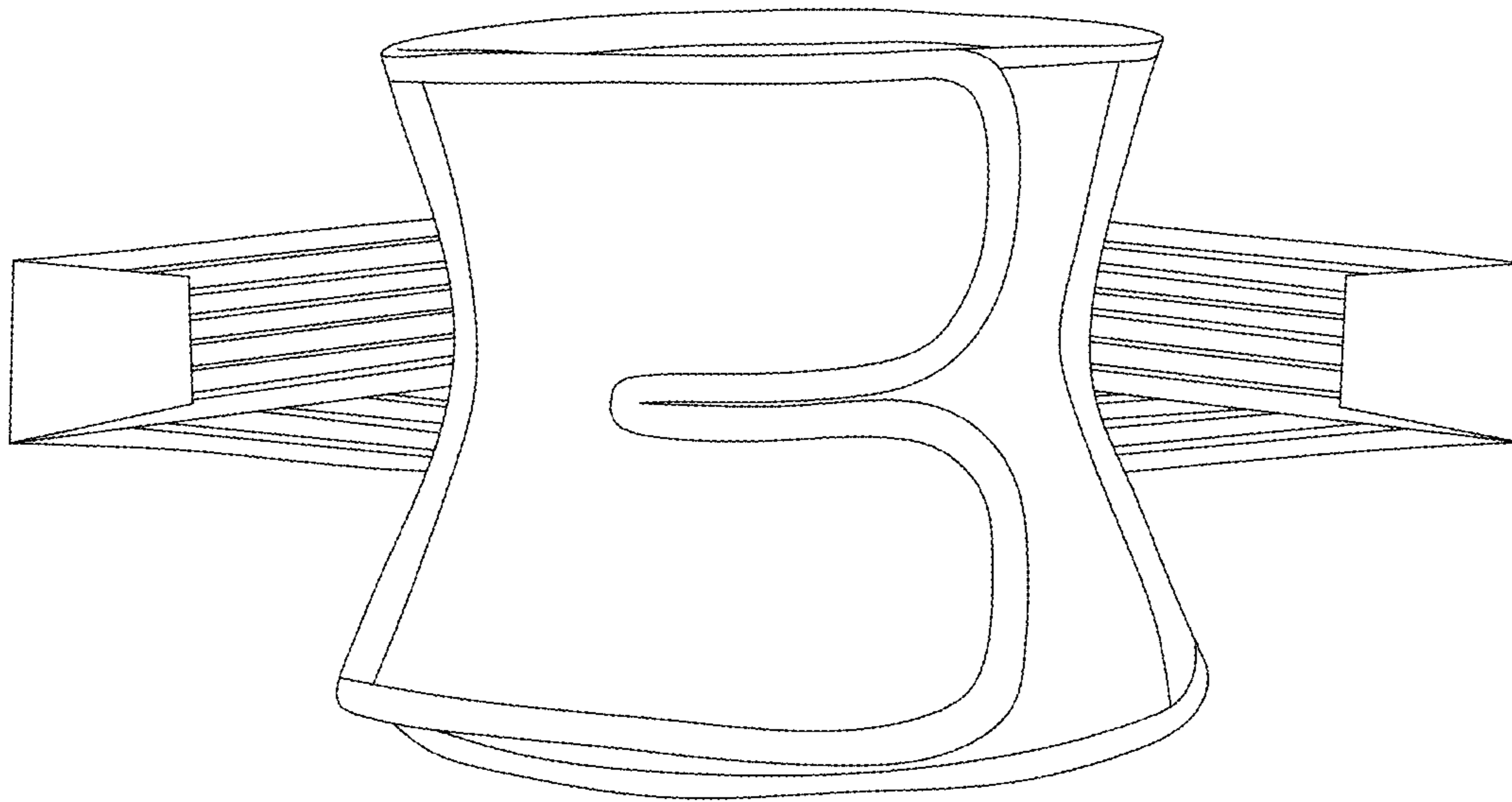


FIG. 8