



US00D913624S

(12) **United States Design Patent** (10) **Patent No.:** **US D913,624 S**
Jensen (45) **Date of Patent:** **** Mar. 16, 2021**

(54) **JOYSTICK HANDLE**
(71) Applicant: **S.A.S. of Luxemburg, LLC,**
Luxemburg, WI (US)
(72) Inventor: **Colten D. Jensen,** Green Bay, WI (US)
(73) Assignee: **S.A.S. of Luxemburg, LLC,**
Luxemburg, WI (US)

D759,731 S * 6/2016 Roemer D15/28
D819,294 S * 5/2018 Frazier D34/35
10,049,832 B2 * 8/2018 Nakagawa B62D 1/12
D844,514 S 4/2019 Wagner et al.
D867,309 S * 11/2019 Detering D13/168
D874,083 S * 1/2020 Chao D34/34
D875,690 S * 2/2020 Krebs D13/168
10,691,157 B2 * 6/2020 Saito H01H 23/02
D891,022 S * 7/2020 Liping D34/34

(Continued)

(**) Term: **15 Years**

FOREIGN PATENT DOCUMENTS

(21) Appl. No.: **29/704,725**

FR 2 598 697 11/1987

(22) Filed: **Sep. 6, 2019**

OTHER PUBLICATIONS

(51) **LOC (13) Cl.** **12-05**

(52) **U.S. Cl.**
USPC **D34/35; D14/412**

Google search Jan. 7, 2021, <https://www.aliexpress.com/i/4000129301524.html?spm=2114.12057483.0.0.50f32775H2odug>,
Potentiometer or hall output industrial joystick (Year: 2021).*

(58) **Field of Classification Search**
USPC D34/34, 35; D14/412; D12/179;
D21/333; D15/28; D13/168
CPC ... B62B 3/0612; B62B 3/0618; B62B 5/0069;
B62B 5/0438; B62B 2203/20; B66F 9/22;
B66F 9/085; B66F 9/184; H01H 9/0214;
H01H 9/0235; H01H 9/04; H01H 9/06
See application file for complete search history.

Primary Examiner — Cynthia Ramirez
(74) *Attorney, Agent, or Firm* — Donald J. Ersler

(57) **CLAIM**

The ornamental design for a joystick handle, as shown and described.

(56) **References Cited**

DESCRIPTION

U.S. PATENT DOCUMENTS

2,806,907 A * 9/1957 Mazzola H01H 9/0214
200/5 C
D309,051 S * 7/1990 Laatsch D34/27
D362,872 S * 10/1995 Chan D14/412
D441,366 S * 5/2001 Alviar D14/412
D441,368 S * 5/2001 Alviar D14/412
D499,121 S 11/2004 Masalin
D566,132 S * 4/2008 Mack D15/11
D577,359 S * 9/2008 Cigarini D12/179
D667,380 S * 9/2012 Ishikawa D13/168
D671,565 S * 11/2012 Kinoshita D15/28
D678,648 S * 3/2013 Gill D34/35
D698,358 S * 1/2014 Beams D14/412

FIG. 1 is a top perspective view of a joystick handle incorporating my new design;
FIG. 2 is a bottom perspective view thereof;
FIG. 3 is a top plan view thereof;
FIG. 4 is a bottom plan view thereof;
FIG. 5 is a left side view thereof;
FIG. 6 is a right side view thereof;
FIG. 7 is a front elevation view thereof; and,
FIG. 8 is a rear elevation view thereof.
The broken lines shown in the drawings illustrate portions of the joystick handle that form no part of the claimed design.

1 Claim, 8 Drawing Sheets



(56)

References Cited

U.S. PATENT DOCUMENTS

2009/0095602 A1* 4/2009 Jensen H01H 3/08
200/42.02
2014/0100424 A1* 4/2014 Hoshino A61B 1/00039
600/118
2018/0114653 A1* 4/2018 Amirthasamy G08B 5/36

* cited by examiner

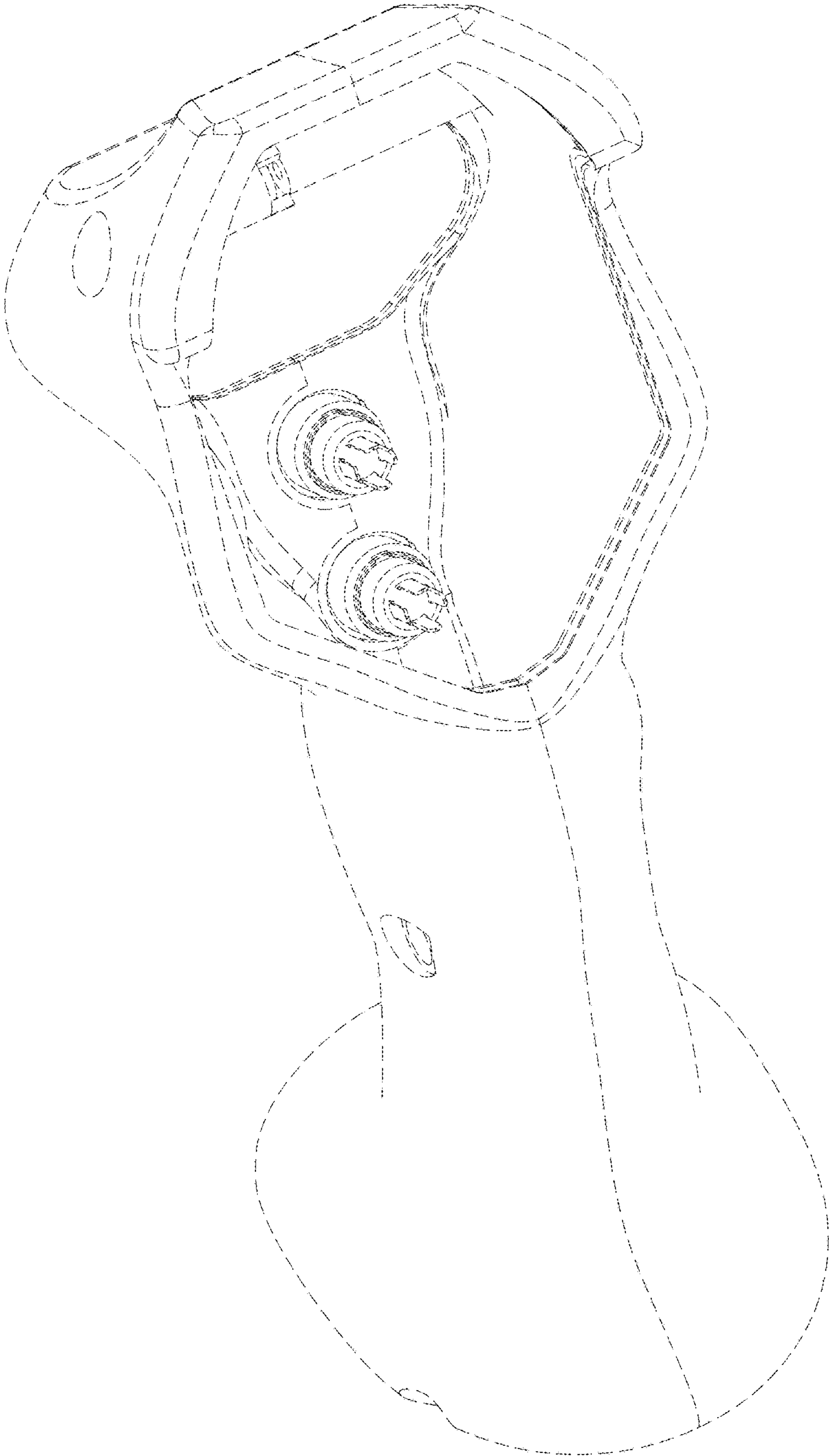


FIG. 1

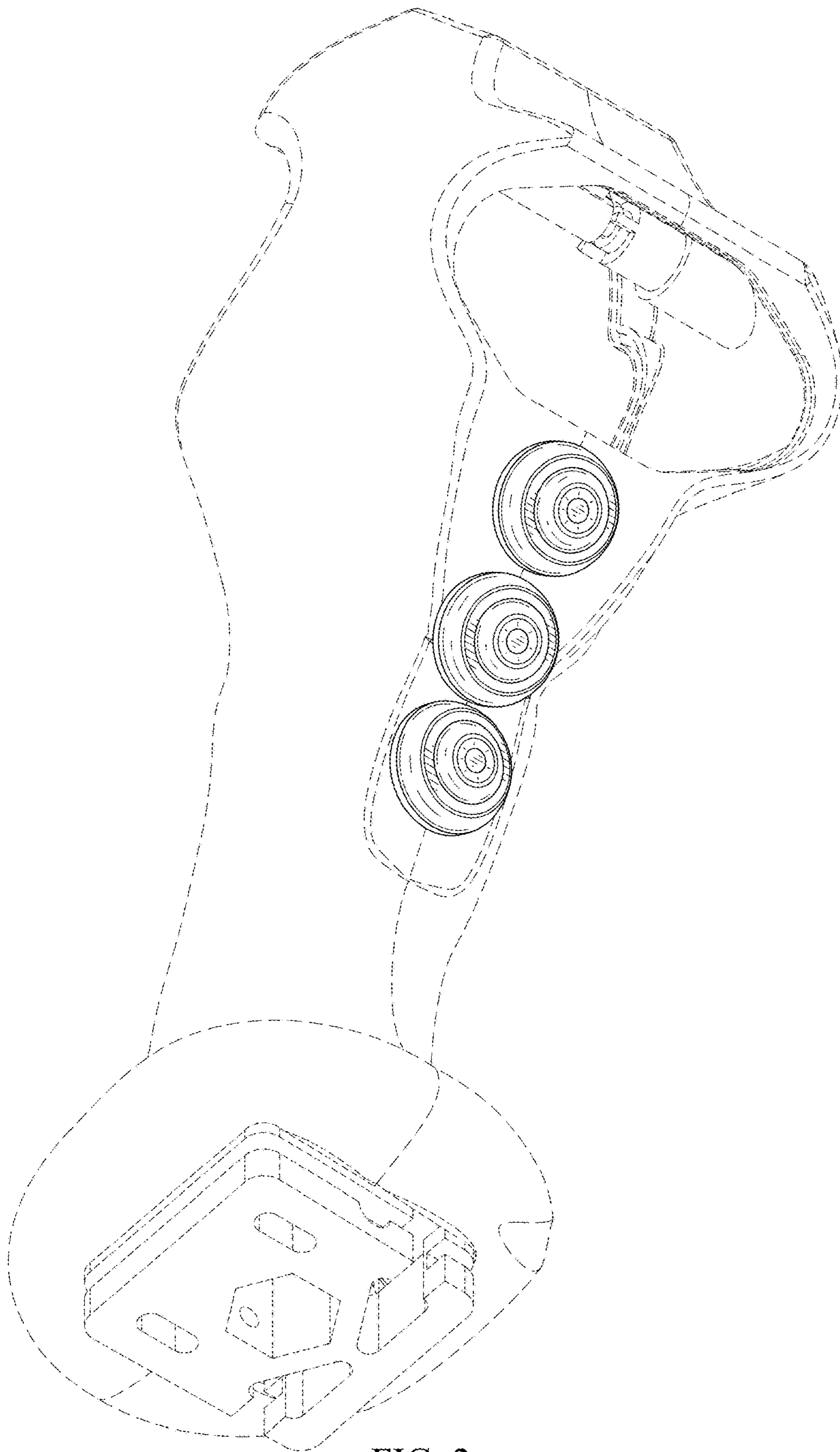


FIG. 2

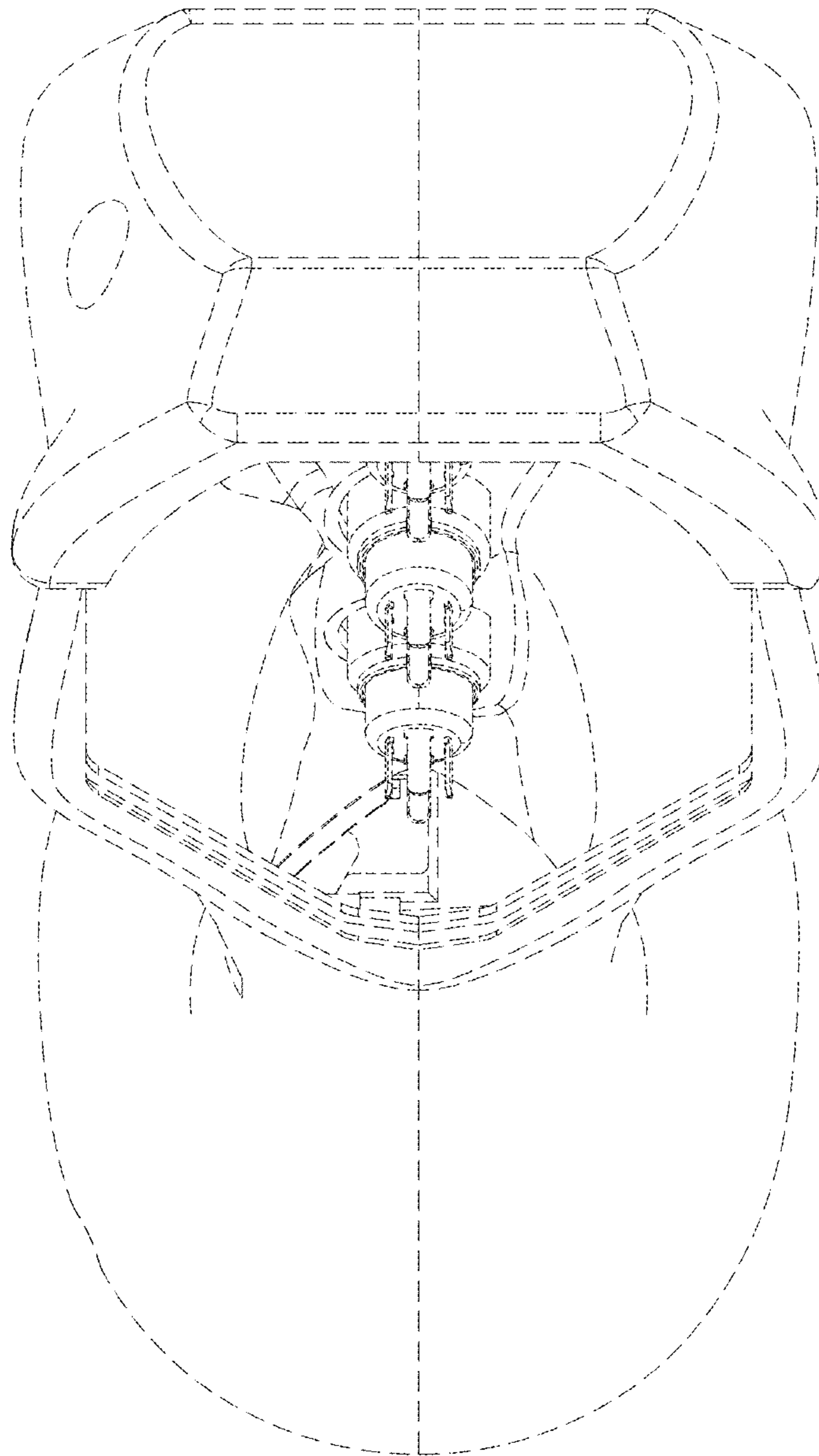


FIG. 3

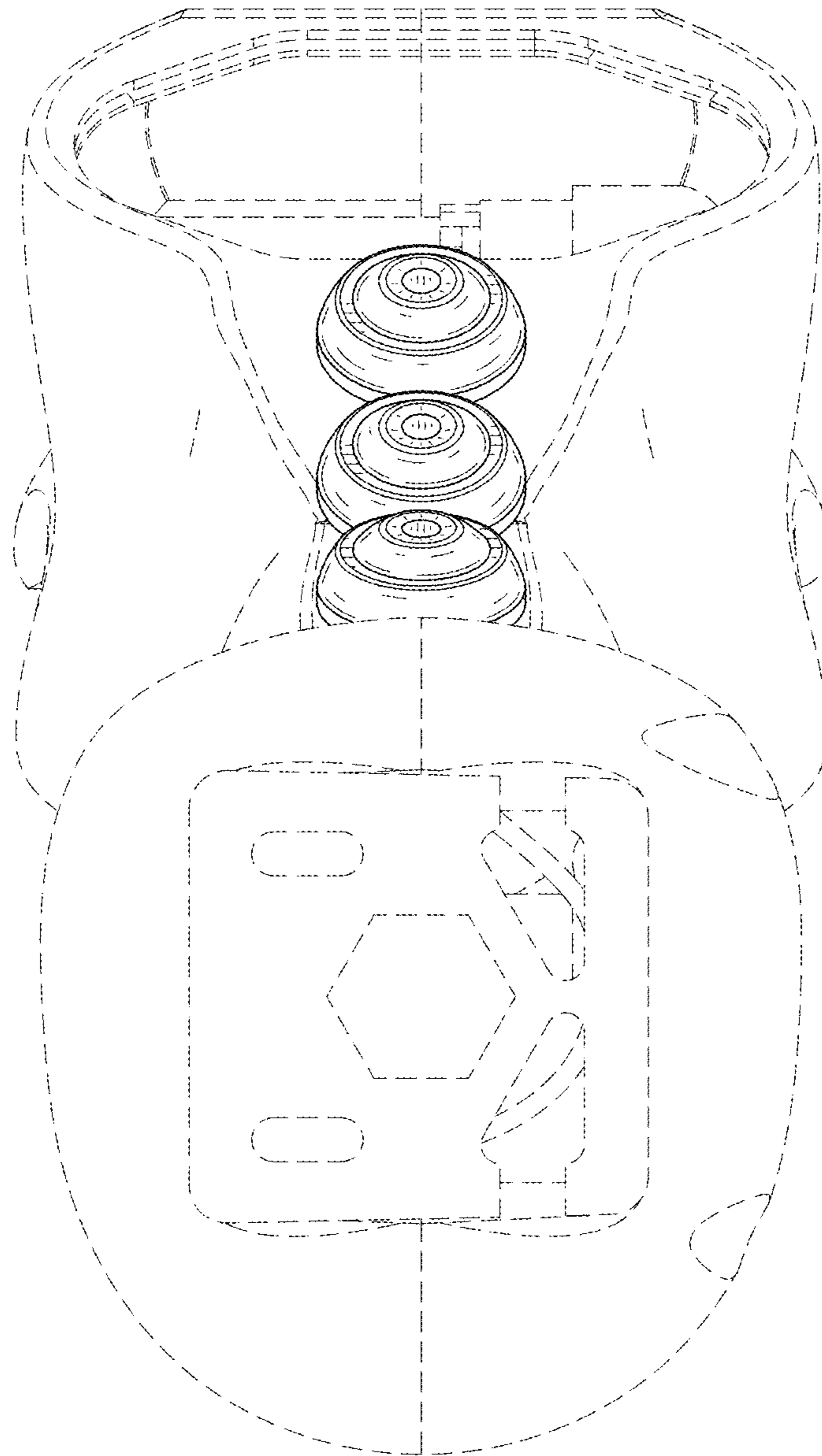


FIG. 4

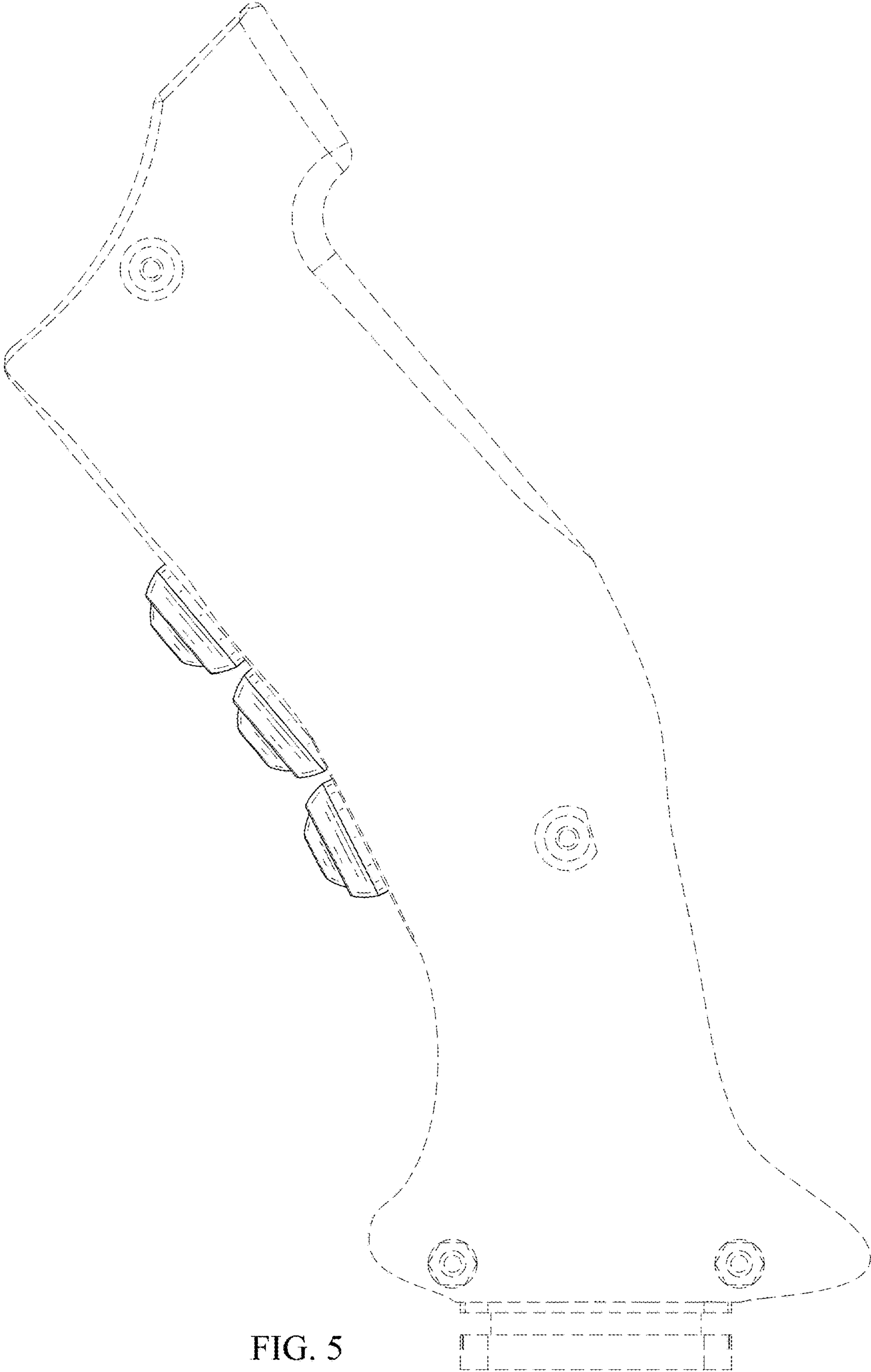


FIG. 5

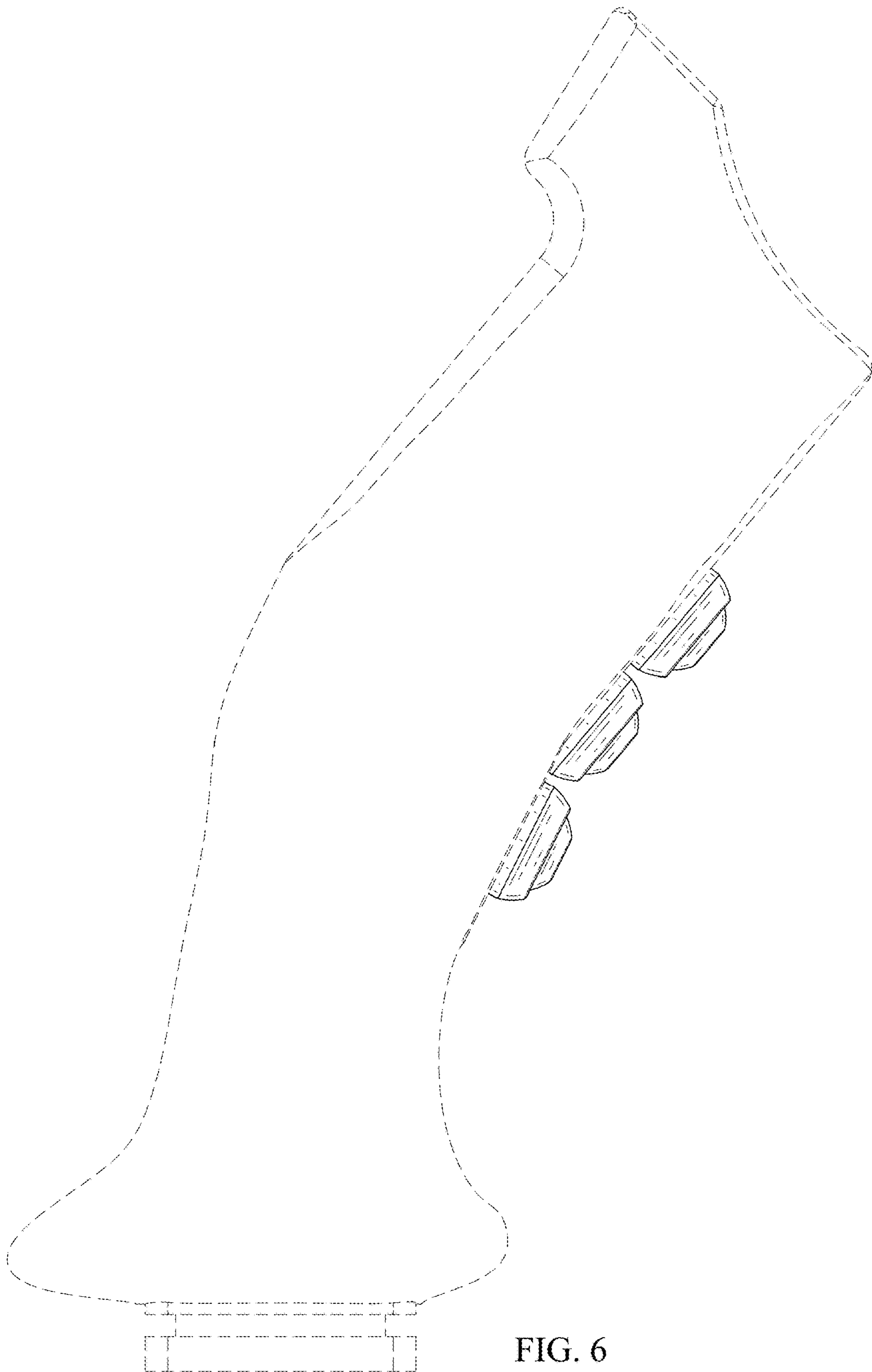


FIG. 6

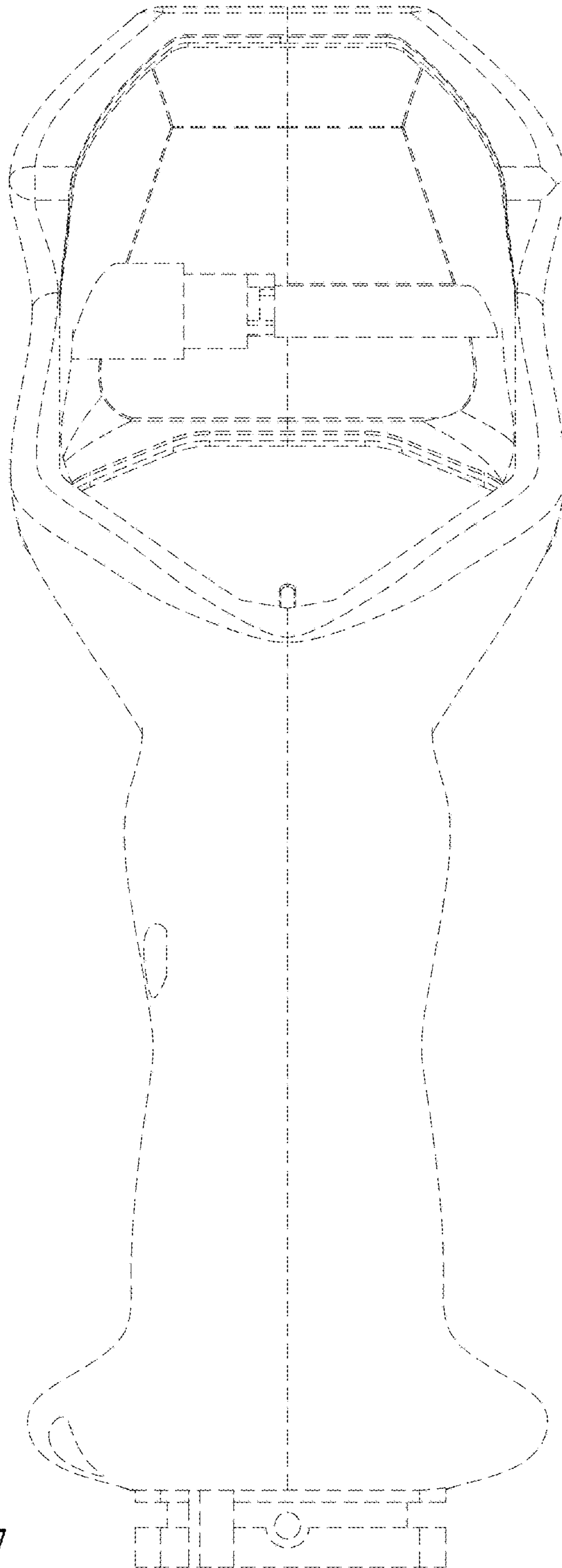


FIG. 7

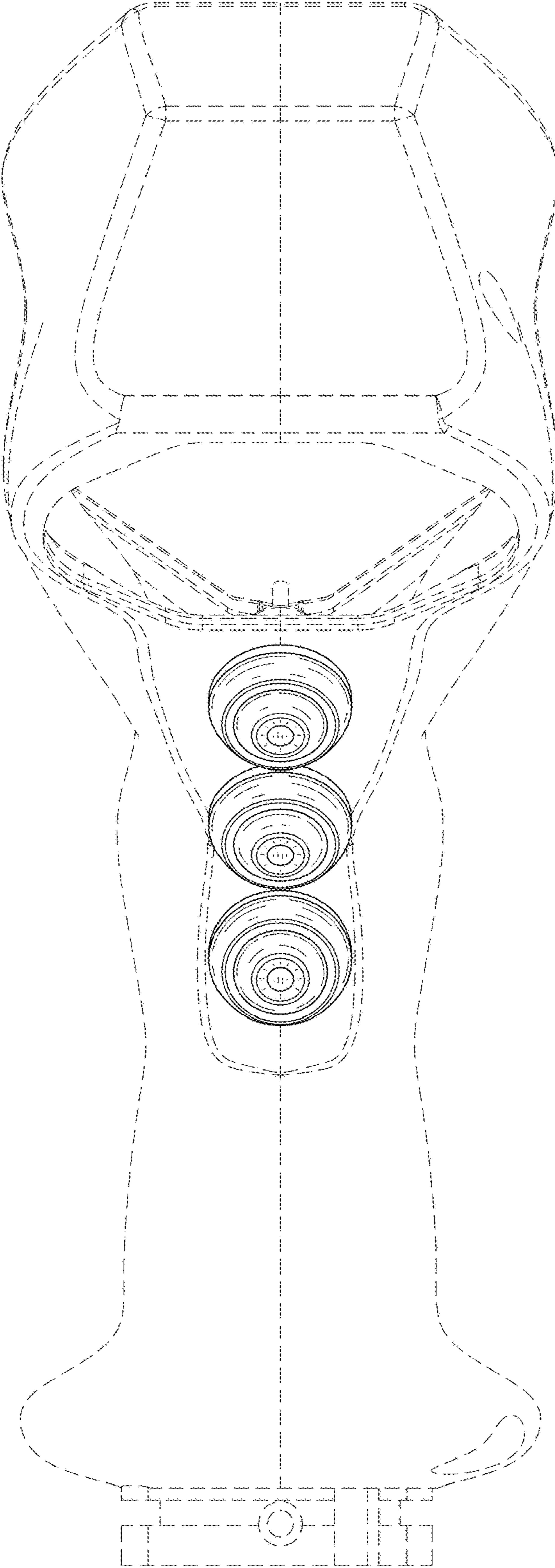


FIG. 8