



US00D913623S

(12) **United States Design Patent** (10) **Patent No.:** **US D913,623 S**  
**Yoshioka et al.** (45) **Date of Patent:** **\*\* Mar. 16, 2021**

(54) **STEERING COLUMN FOR FORKLIFT TRUCK**

(71) Applicant: **Mitsubishi Logisnext Co., Ltd.,** Kyoto (JP)

(72) Inventors: **Masahiro Yoshioka,** Kyoto (JP);  
**Hiroaki Kumazawa,** Kyoto (JP)

(73) Assignee: **MITSUBISHI LOGISNEXT CO., LTD.,** Kyoto (JP)

(\*\*) Term: **15 Years**

(21) Appl. No.: **29/691,574**

(22) Filed: **May 17, 2019**

(30) **Foreign Application Priority Data**

Nov. 30, 2018 (JP) ..... 2018-026045

(51) **LOC (13) Cl.** ..... **12-05**

(52) **U.S. Cl.**  
USPC ..... **D34/35**

(58) **Field of Classification Search**  
USPC ..... D34/34, 35; D13/158, 164, 182;  
D15/28; D8/353, 366  
CPC ..... H01H 9/0214; G05G 9/047; G05G  
2009/04774; B66F 9/00; B66F 9/06;  
B66F 9/12; B66F 9/24; B66F 9/0755;  
B66F 9/07572  
See application file for complete search history.

(56) **References Cited**

**U.S. PATENT DOCUMENTS**

D525,409 S \* 7/2006 Cantrill ..... D12/192  
D565,825 S \* 4/2008 Shibata ..... D34/34  
D612,563 S \* 3/2010 Stark ..... D34/34  
D657,932 S \* 4/2012 Kazaoka ..... D34/34  
D663,502 S \* 7/2012 Lin ..... D34/34  
D663,503 S \* 7/2012 Lin ..... D34/34

D722,214 S \* 2/2015 Yakushi ..... D34/35  
D731,737 S \* 6/2015 Seimiya ..... D34/34  
D741,565 S \* 10/2015 Schweig ..... D34/34  
D754,940 S \* 4/2016 Wen ..... D34/34  
D756,058 S \* 5/2016 Kang ..... D34/34  
D756,059 S \* 5/2016 Kang ..... D34/34  
D778,524 S \* 2/2017 Kang ..... D34/34  
D790,148 S \* 6/2017 Kang ..... D34/34  
D808,106 S \* 1/2018 Wen ..... D34/28  
D867,309 S \* 11/2019 Detering ..... D13/168  
2007/0080025 A1 \* 4/2007 Yamada ..... B66F 9/07572  
187/224  
2018/0370783 A1 \* 12/2018 Van Den Berg ..... B66F 9/0755  
2019/0308859 A1 \* 10/2019 Yoshioka ..... B66F 9/07513  
2019/0359186 A1 \* 11/2019 Yoshioka ..... B60T 7/08  
2020/0377350 A1 \* 12/2020 Nonogaki ..... B66F 9/063

\* cited by examiner

*Primary Examiner* — Cynthia Ramirez

(74) *Attorney, Agent, or Firm* — Kirschstein, Israel, Schiffmiller & Pieroni, P.C.

(57) **CLAIM**

The ornamental design for a steering column for a forklift truck, as shown and described.

**DESCRIPTION**

FIG. 1 is an overhead, front, and right side, perspective view of a steering column for a forklift truck according to our new design.

FIG. 2 is a front, and left side, perspective view from below thereof.

FIG. 3 is a front elevation view thereof.

FIG. 4 is a rear elevation view thereof.

FIG. 5 is a left side elevation view thereof.

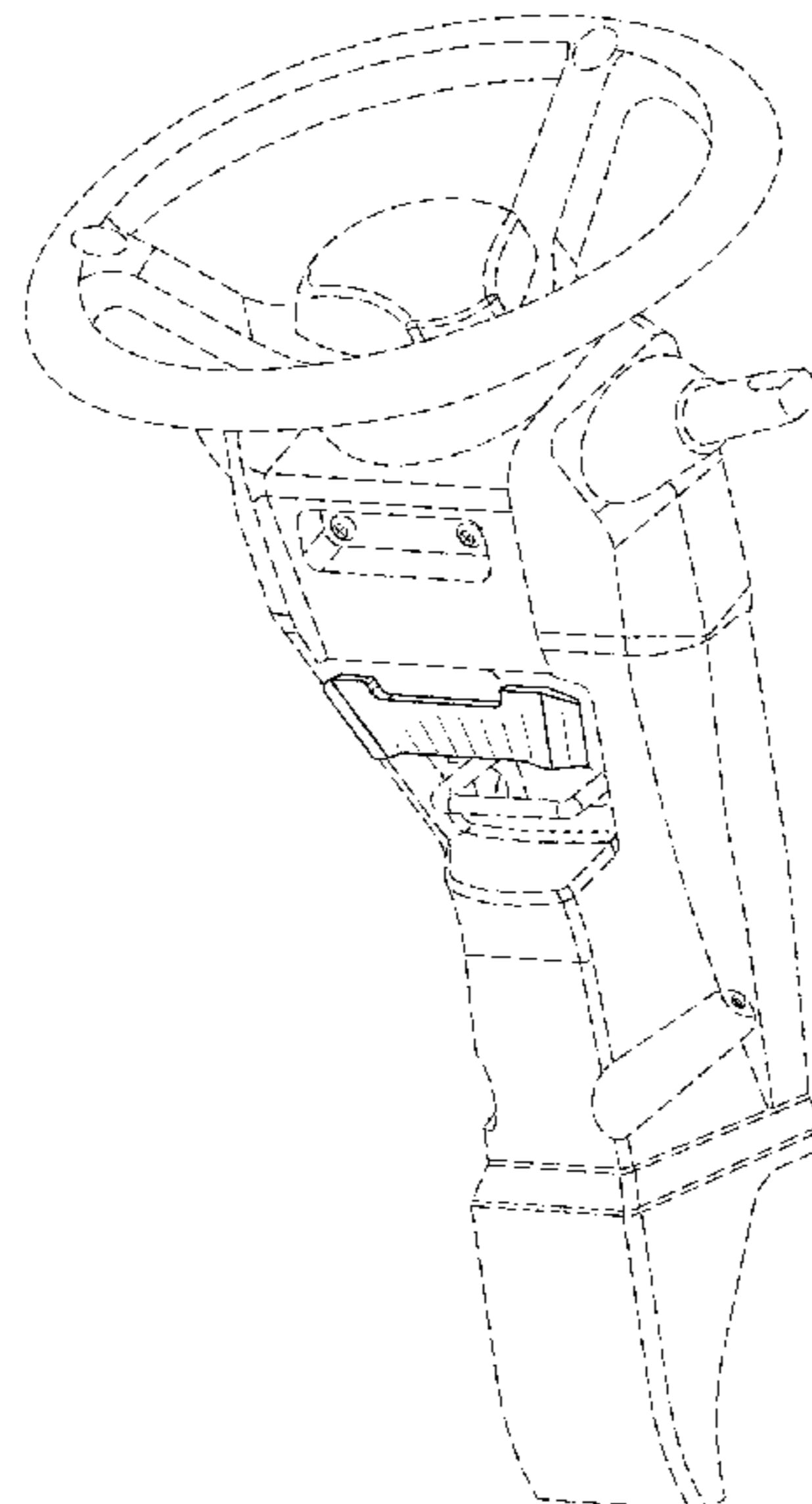
FIG. 6 is a right side elevation view thereof.

FIG. 7 is a top plan view thereof; and,

FIG. 8 is a bottom plan view thereof.

The broken lines in the figures are for the purpose of illustrating portions of the steering column for forklift truck that form no part of the claimed design.

**1 Claim, 7 Drawing Sheets**



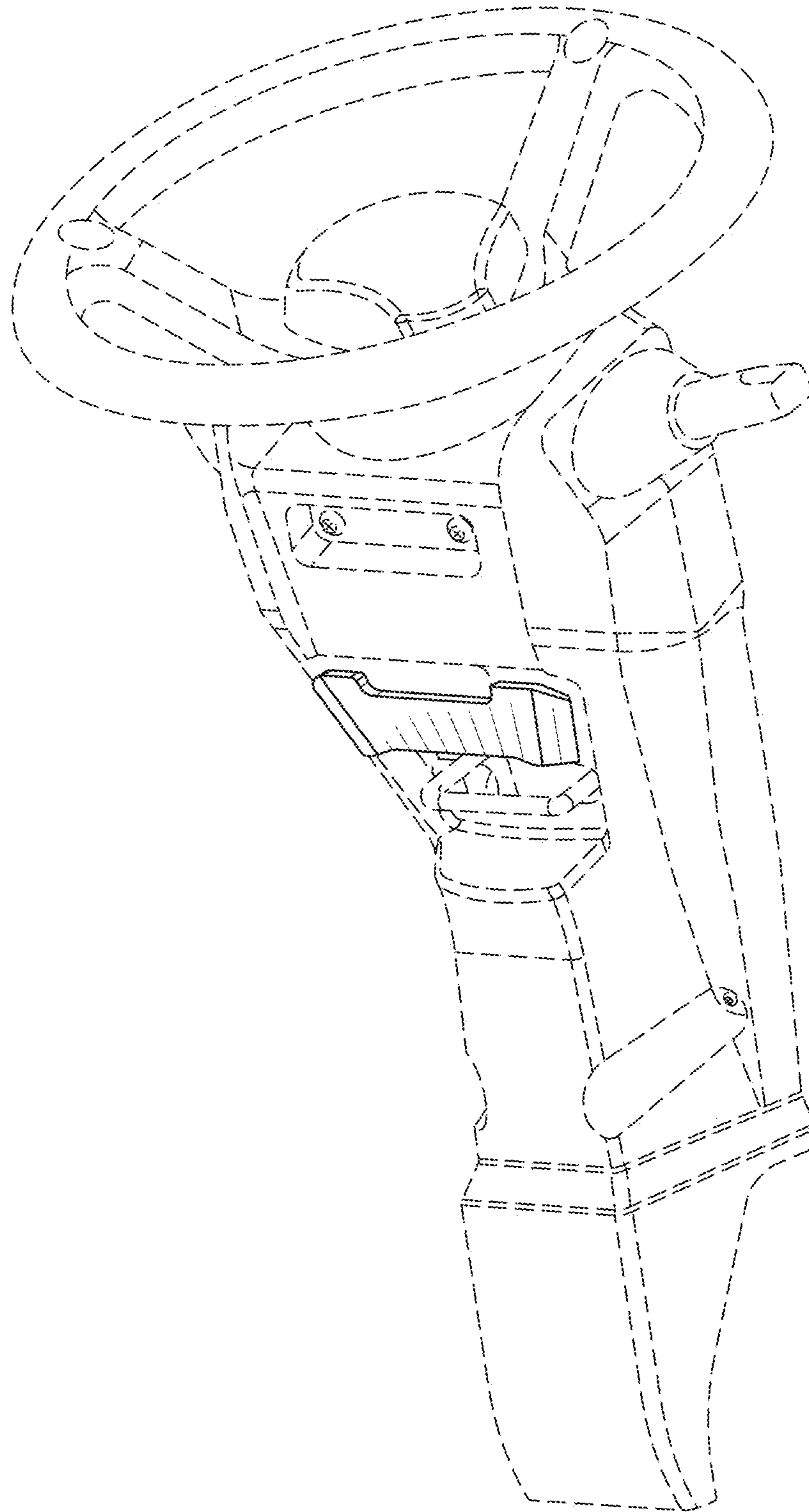


FIG. 1

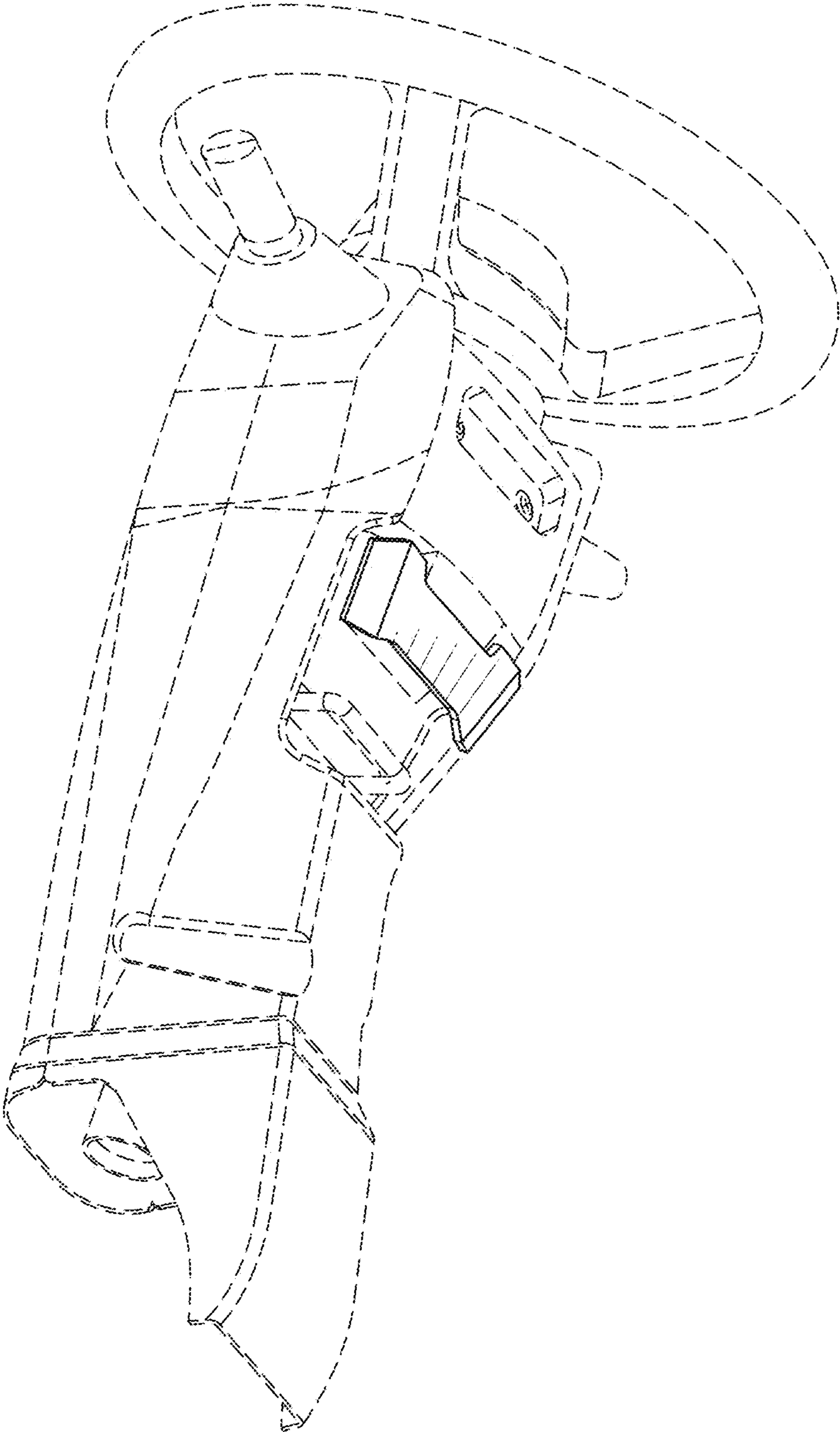


FIG. 2

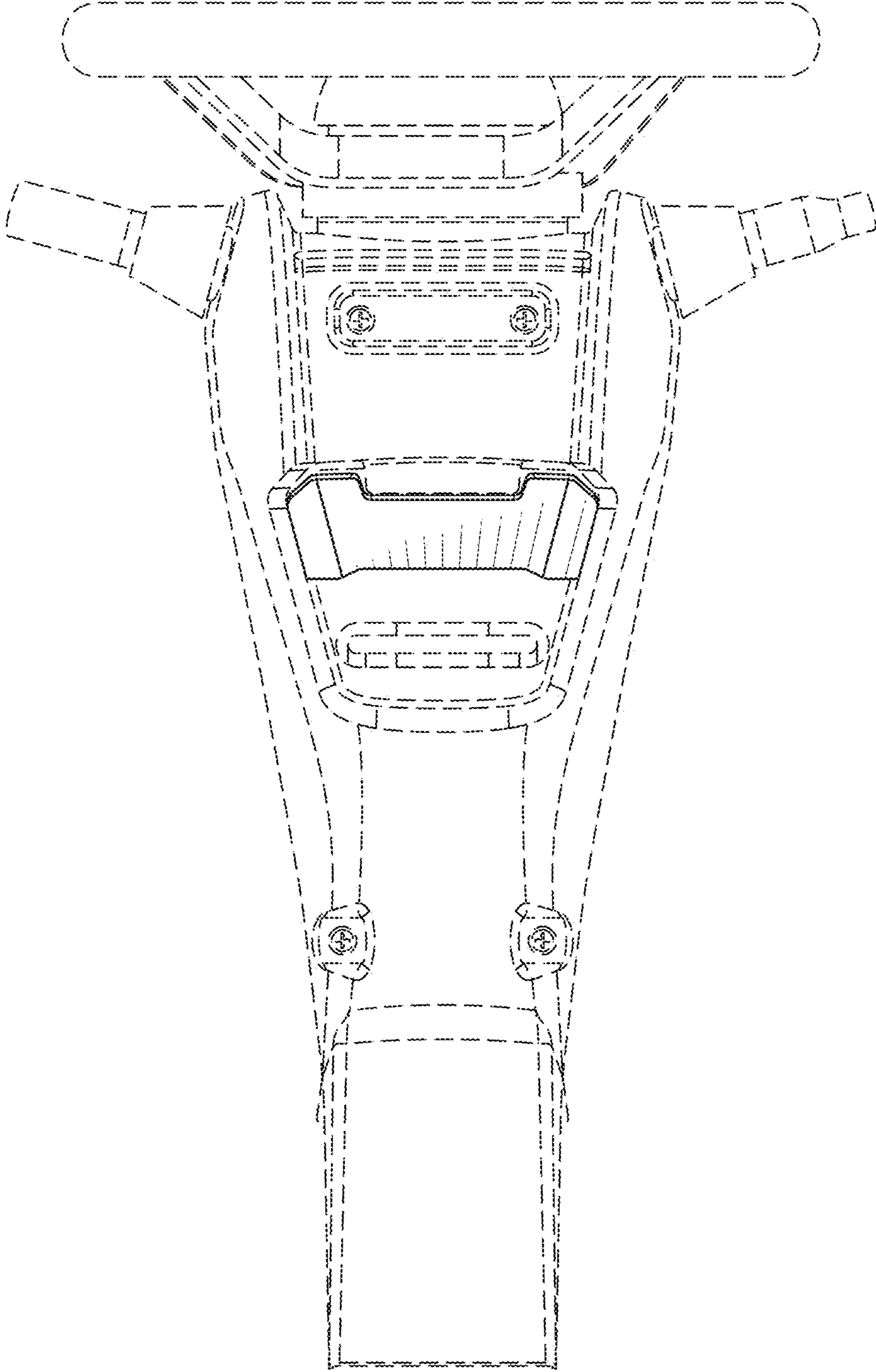


FIG. 3

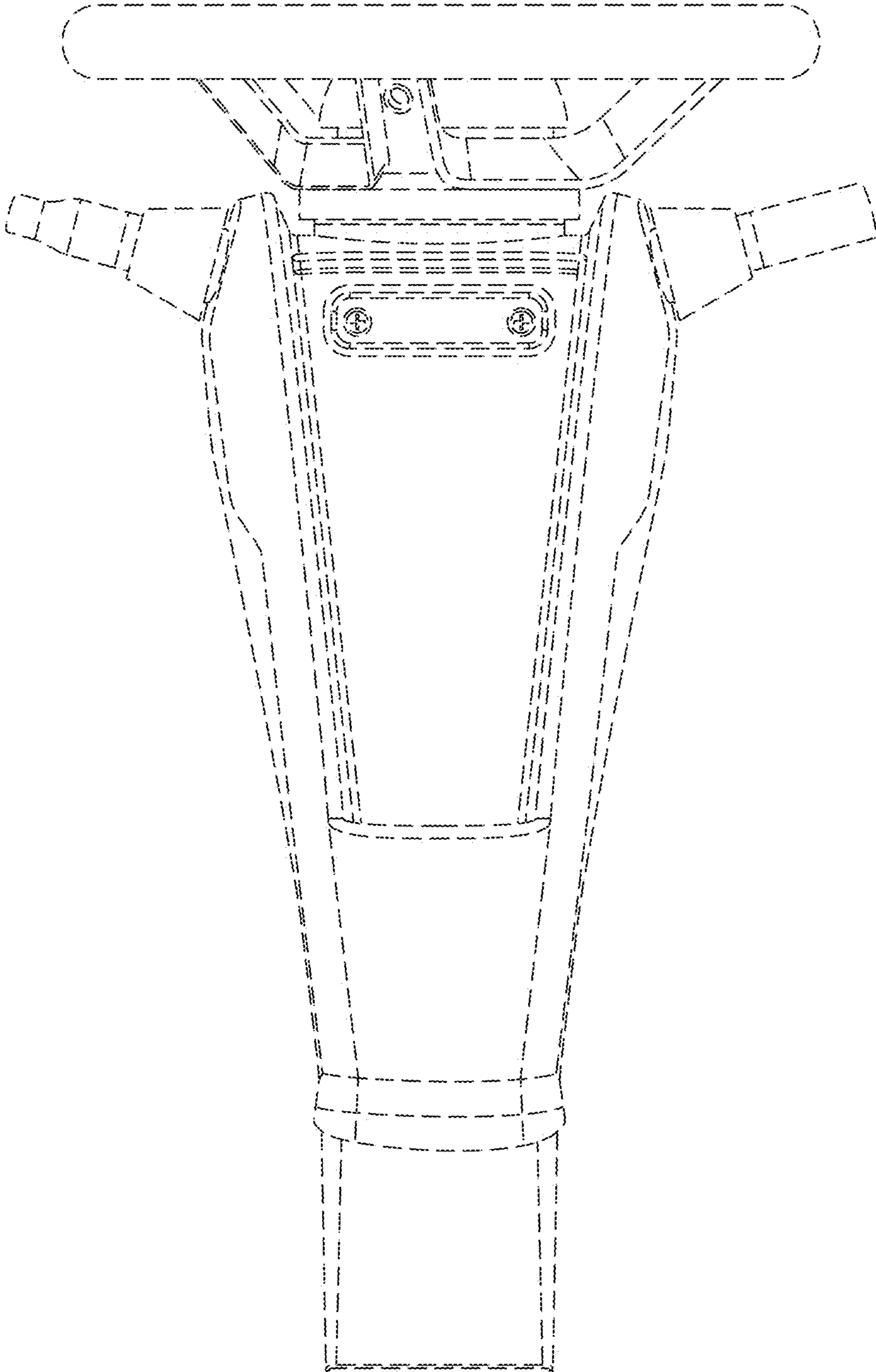


FIG. 4

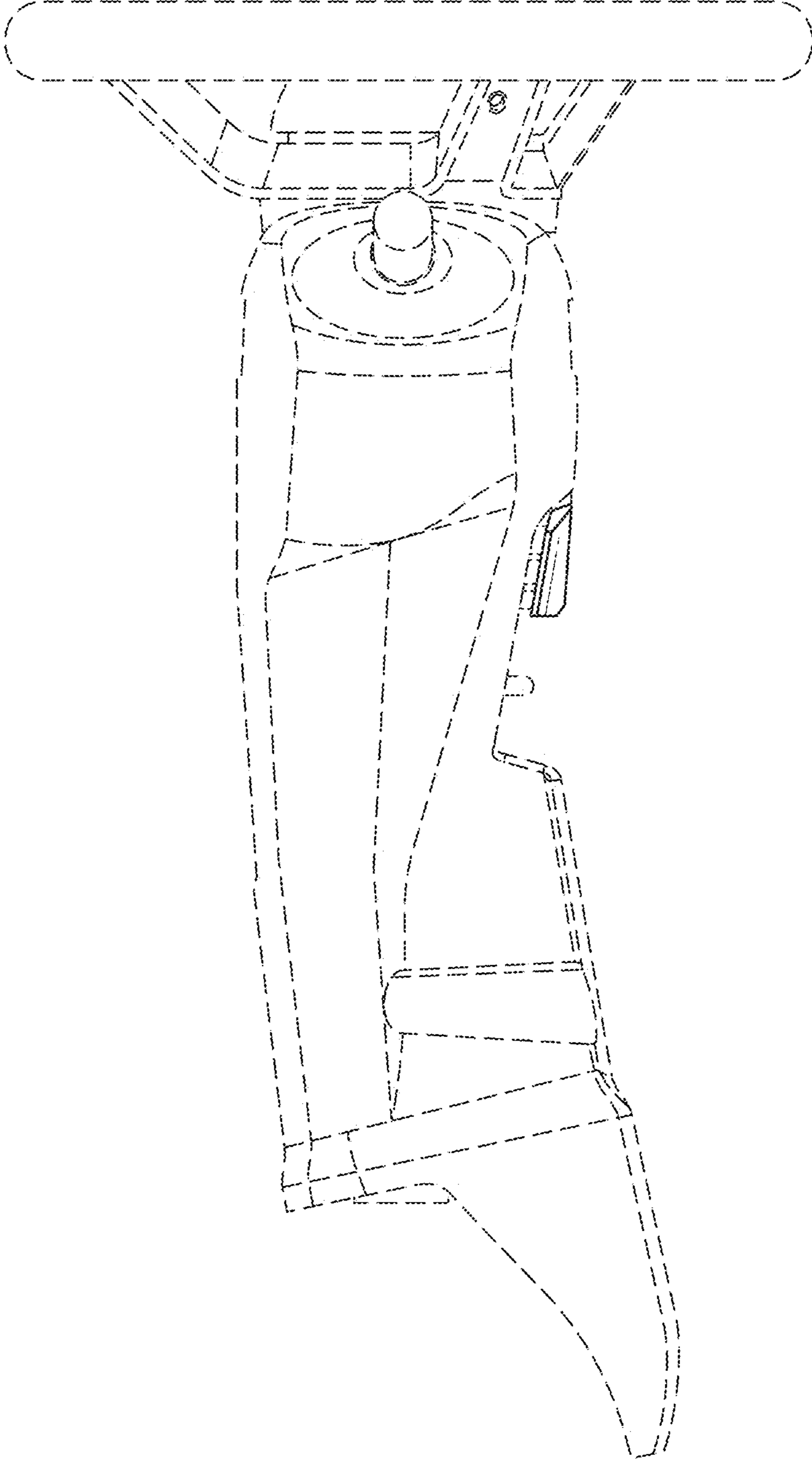


FIG. 5

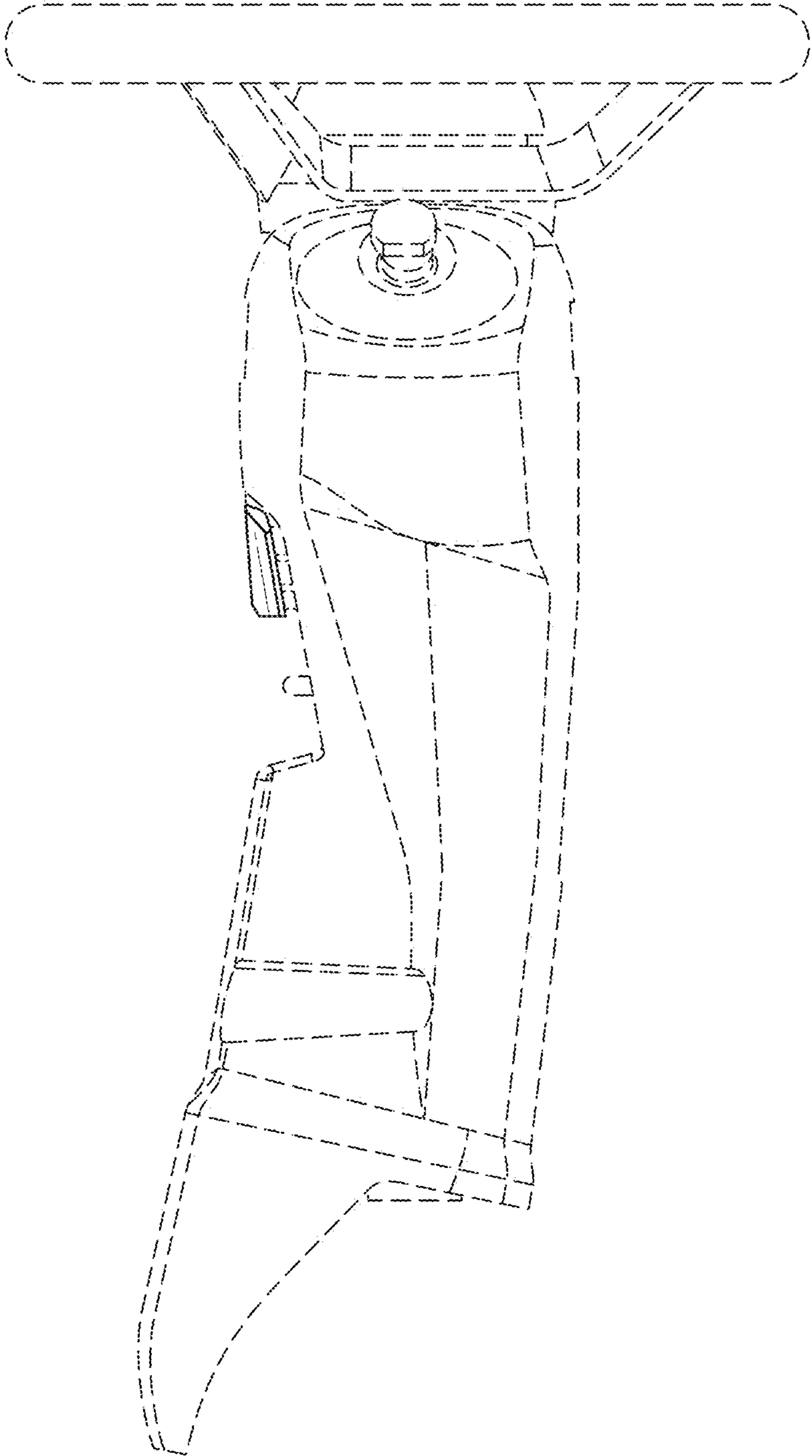


FIG. 6

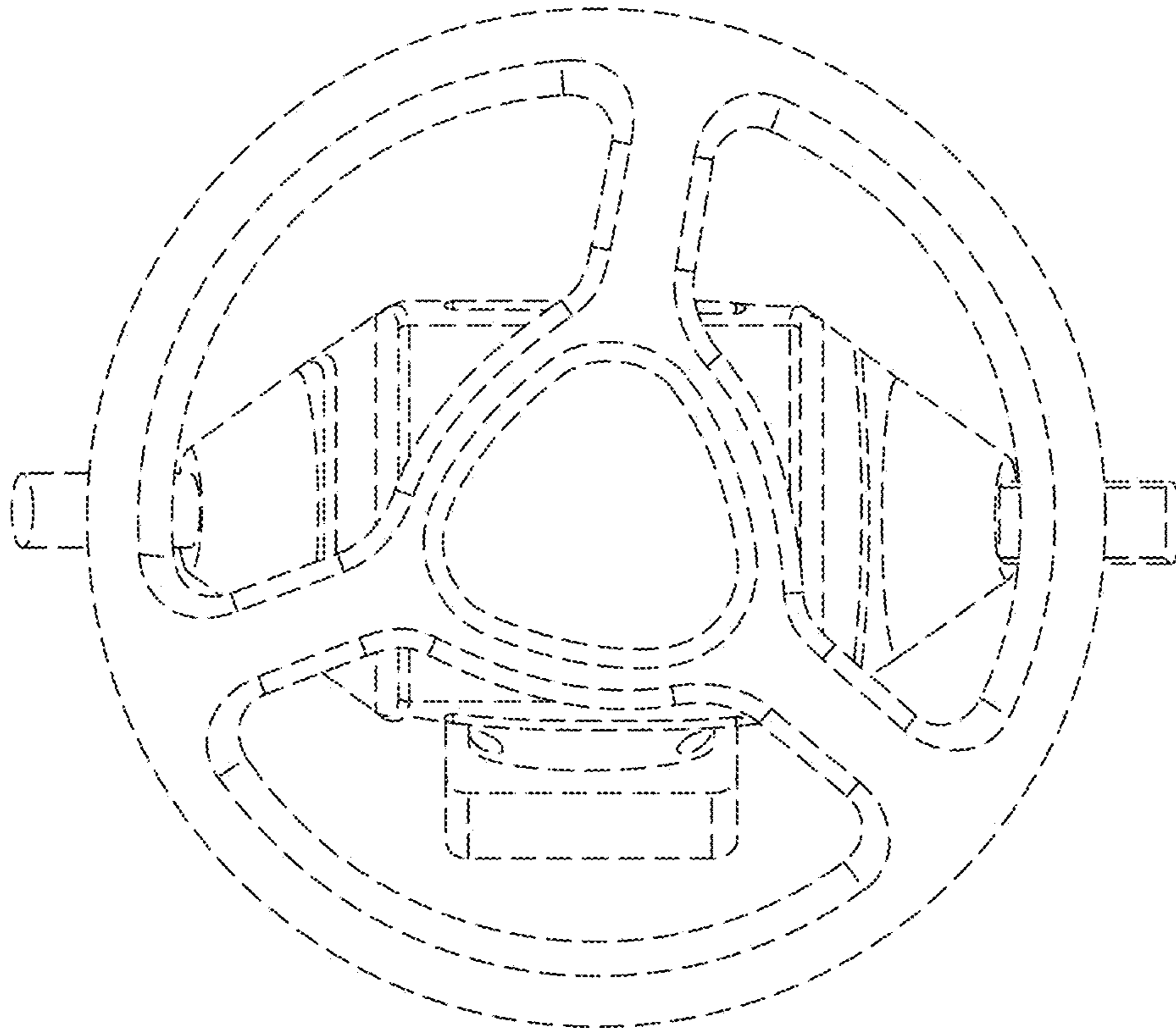


FIG. 7

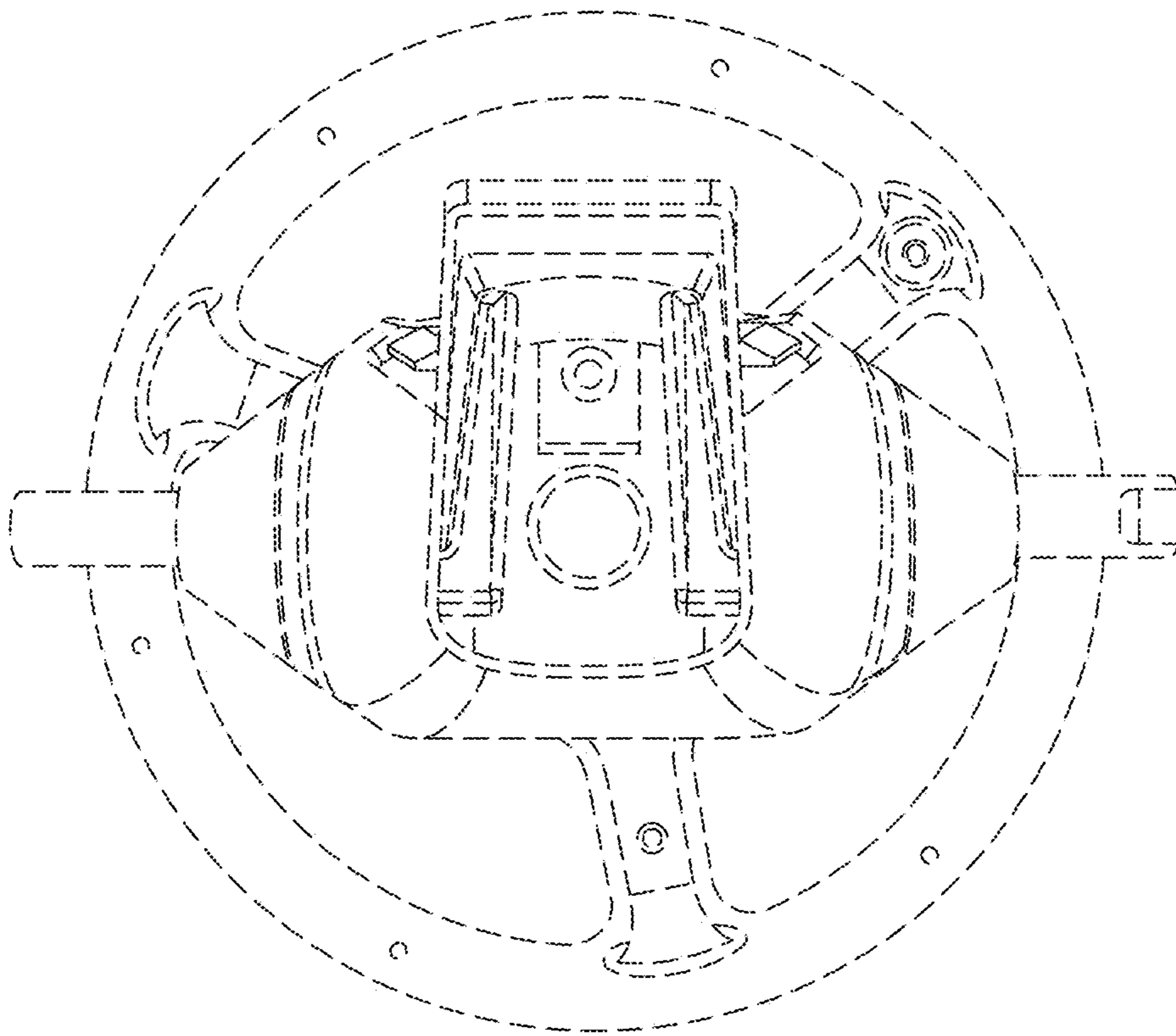


FIG. 8