



US00D913620S

(12) **United States Design Patent**  
**Hechler**

(10) **Patent No.:** **US D913,620 S**  
(45) **Date of Patent:** **\*\* Mar. 16, 2021**

- (54) **DRUM LIFTING ATTACHMENT DEVICE**
- (71) Applicant: **Donald Hechler**, Carmichael, CA (US)
- (72) Inventor: **Donald Hechler**, Carmichael, CA (US)
- (\*\*) Term: **15 Years**
- (21) Appl. No.: **29/696,016**
- (22) Filed: **Jun. 25, 2019**
- (51) **LOC (13) Cl.** ..... **12-05**
- (52) **U.S. Cl.**  
USPC ..... **D34/28**
- (58) **Field of Classification Search**  
USPC ..... D34/28, 33, 35  
CPC ..... B66C 1/422; B66C 1/442; B66F 13/00;  
B66F 7/02; B66F 7/28; B66F 9/072  
See application file for complete search history.

- 5,655,873 A 8/1997 Jobmann et al.
- 6,331,025 B1 \* 12/2001 Douglas ..... B66C 1/442  
294/110.1
- D524,508 S \* 7/2006 Lichtenvort ..... D34/33
- D553,825 S \* 10/2007 Shani ..... D34/33
- D566,375 S \* 4/2008 Shani ..... D34/33
- D598,174 S \* 8/2009 Lindberg ..... D15/28
- D663,093 S \* 7/2012 Brewer ..... D34/33
- 9,027,977 B2 \* 5/2015 Newth ..... B66C 1/48  
294/118
- D736,047 S \* 8/2015 Kasaba ..... D8/51  
(Continued)

*Primary Examiner* — Cynthia Ramirez  
(74) *Attorney, Agent, or Firm* — Boudwin Intellectual Property; Daniel Boudwin

(57) **CLAIM**

The ornamental design for a drum lifting attachment device, as shown and described.

**DESCRIPTION**

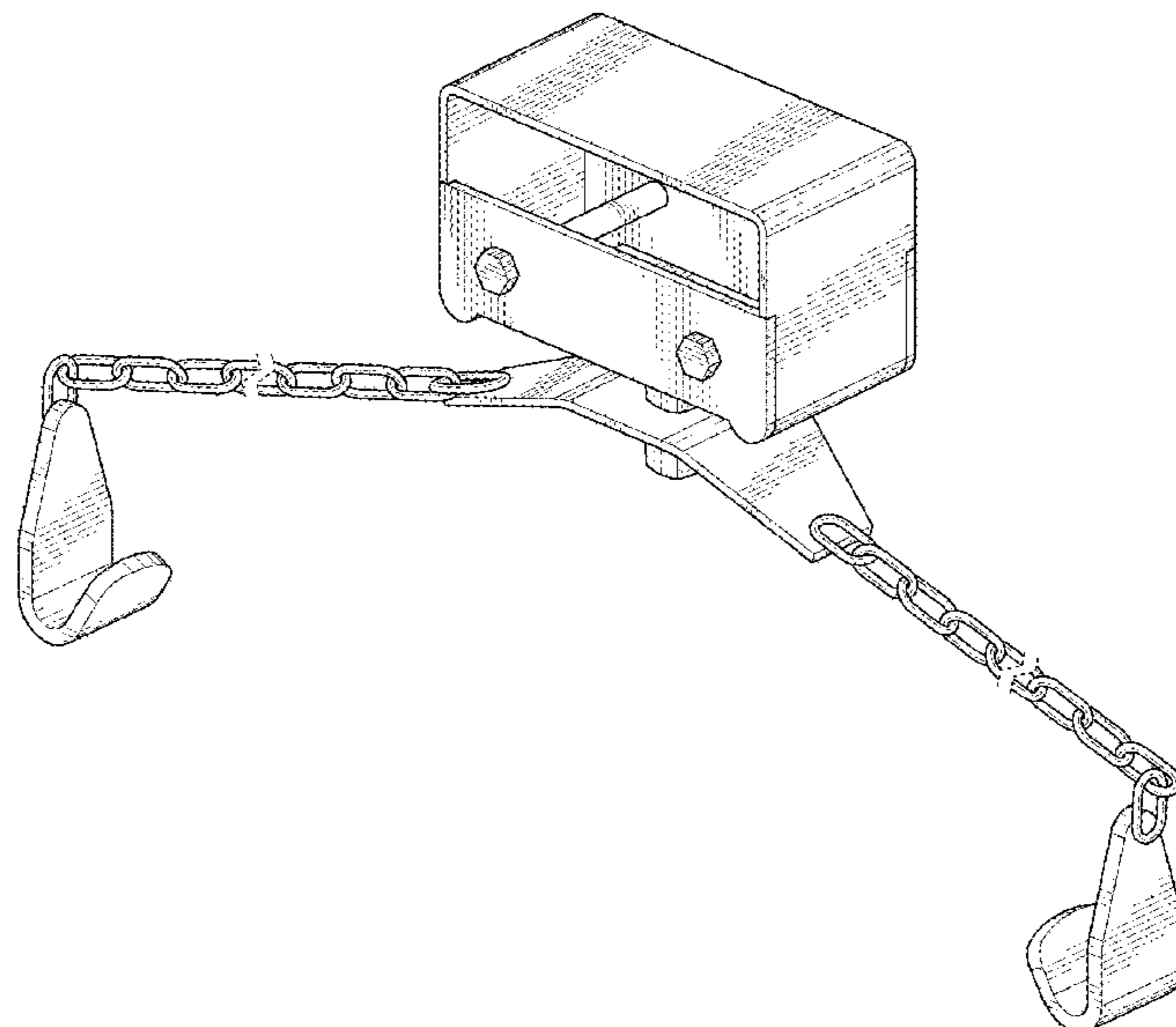
FIG. 1 shows a perspective view of a drum lifting attachment device;  
 FIG. 2 shows a front view of the drum lifting attachment device;  
 FIG. 3 shows a rear view of the drum lifting attachment device;  
 FIG. 4 shows a right side view of the drum lifting attachment device;  
 FIG. 5 shows a left side view of the drum lifting attachment device;  
 FIG. 6 shows a top plan view of the drum lifting attachment device; and,  
 FIG. 7 shows a bottom plan view of the drum lifting attachment device.  
 The drum lifting attachment device is shown with a symbolic break in its length. The appearance of any portion of the article between the break lines forms no part of the claimed design.

(56) **References Cited**

U.S. PATENT DOCUMENTS

- 815,452 A \* 3/1906 Maynard ..... B66C 1/14  
294/82.13
- 1,111,338 A \* 9/1914 Watson ..... B66C 1/422  
294/110.1
- 1,606,898 A \* 11/1926 Robinson ..... B66C 1/442  
294/86.4
- 3,008,753 A \* 11/1961 Tazioli ..... B66C 1/422  
294/118
- 3,512,670 A 5/1970 Howard
- D245,972 S \* 10/1977 Kifer ..... D34/33
- D258,054 S \* 1/1981 Ellis ..... D34/33
- 4,318,661 A 3/1982 Helm
- 4,530,536 A \* 7/1985 Williams ..... B66C 1/64  
294/118
- 5,050,921 A \* 9/1991 Hultquist ..... B66C 1/422  
294/118
- 5,236,298 A 8/1993 Lehman
- 5,364,147 A \* 11/1994 Dickey ..... B66C 1/422  
294/117
- 5,441,322 A 8/1995 Jobmann et al.

**1 Claim, 5 Drawing Sheets**



(56)

**References Cited**

U.S. PATENT DOCUMENTS

D736,049 S \* 8/2015 Kasaba ..... D8/52  
D739,634 S \* 9/2015 Martin ..... D34/33  
9,493,331 B2 \* 11/2016 Montgomery ..... B66F 19/005  
D806,348 S \* 12/2017 Lien ..... D34/35  
10,227,217 B2 \* 3/2019 Cveykus ..... B66C 1/442  
2003/0178865 A1 \* 9/2003 Parker ..... B66C 1/36  
294/110.1  
2004/0135389 A1 \* 7/2004 Helms ..... B66C 1/442  
294/110.1  
2006/0182587 A1 \* 8/2006 Hrkal ..... B66C 1/442  
414/626  
2012/0098285 A1 \* 4/2012 Wall ..... B66C 1/422  
294/106

\* cited by examiner

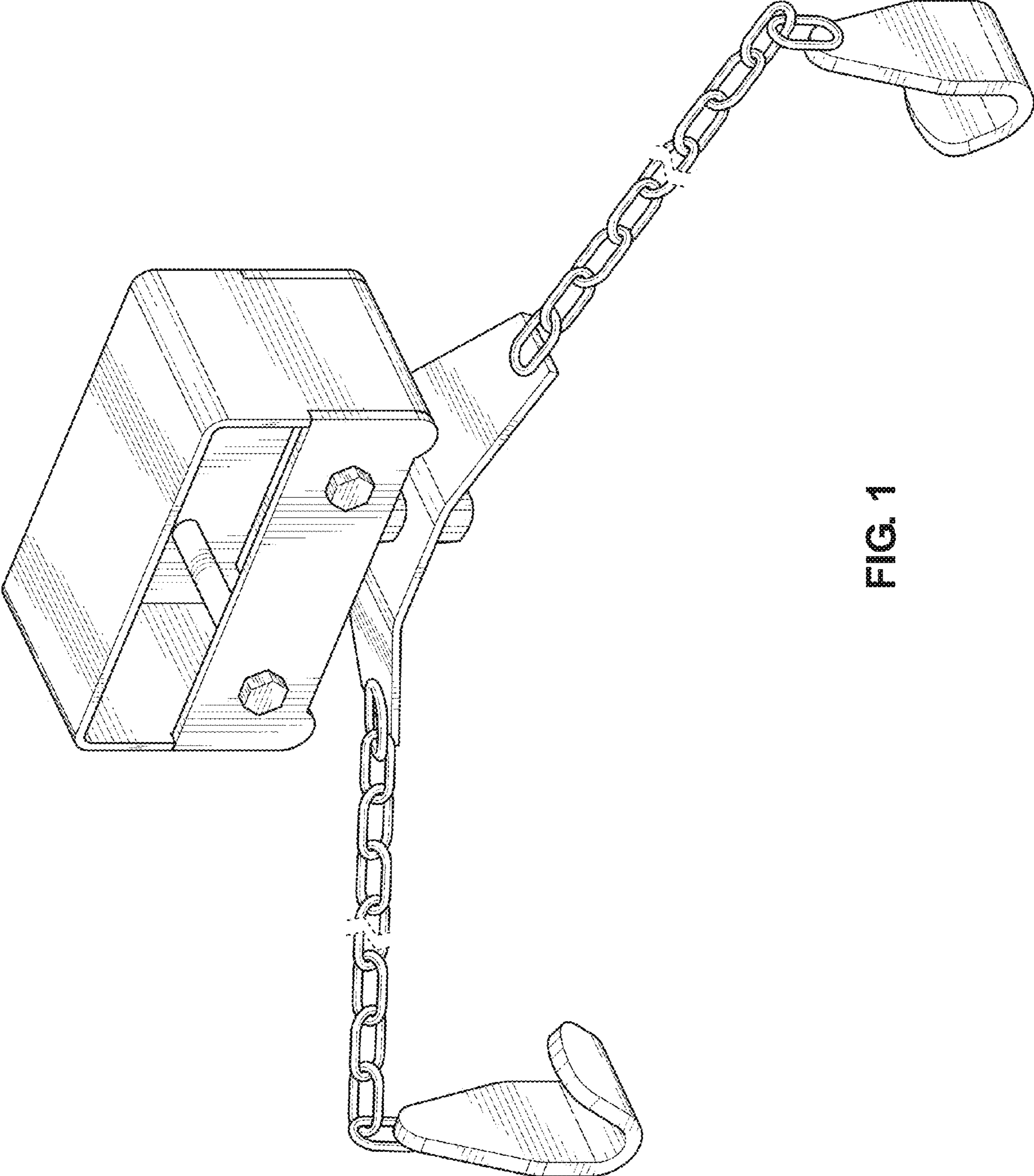


FIG. 1

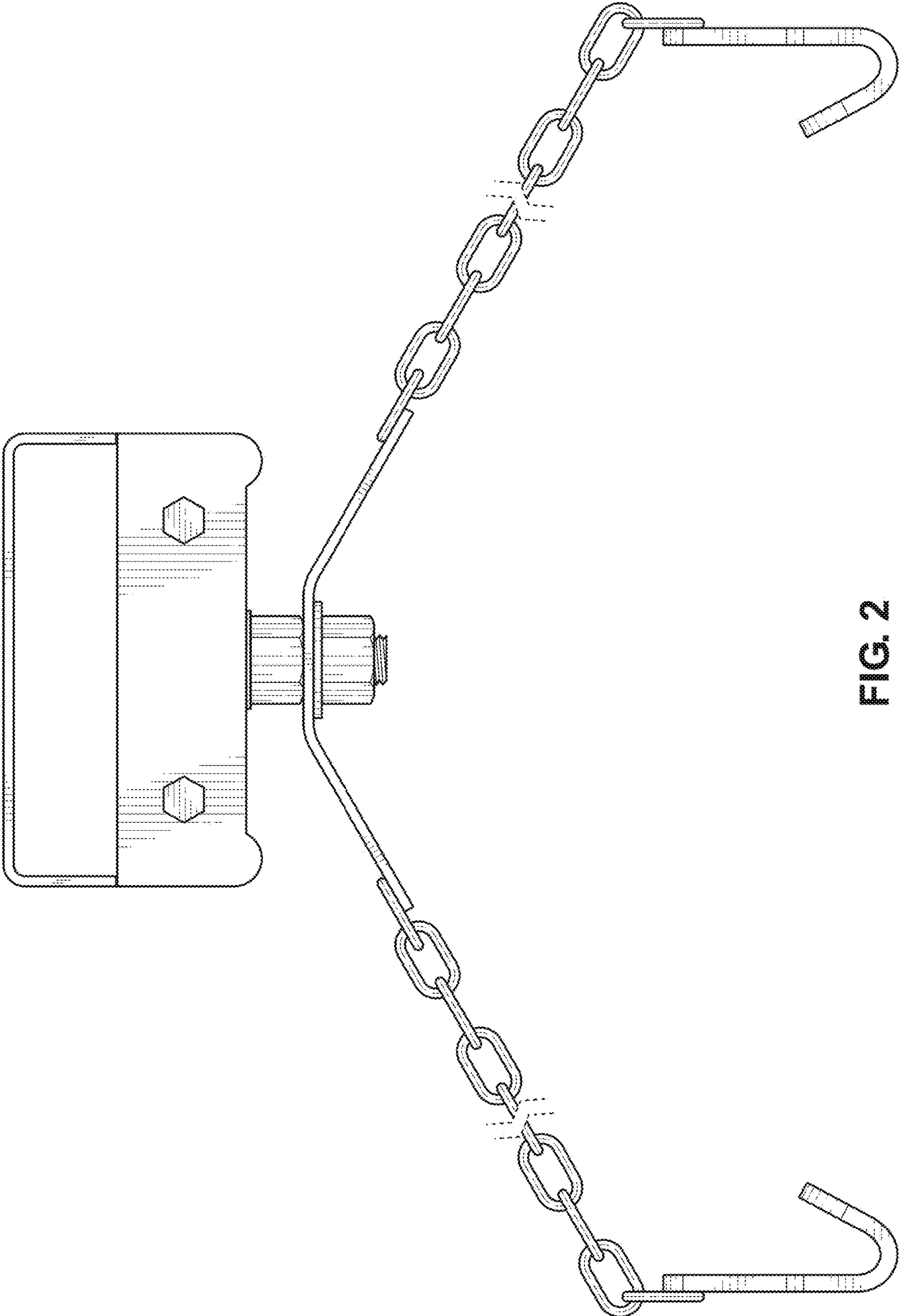


FIG. 2

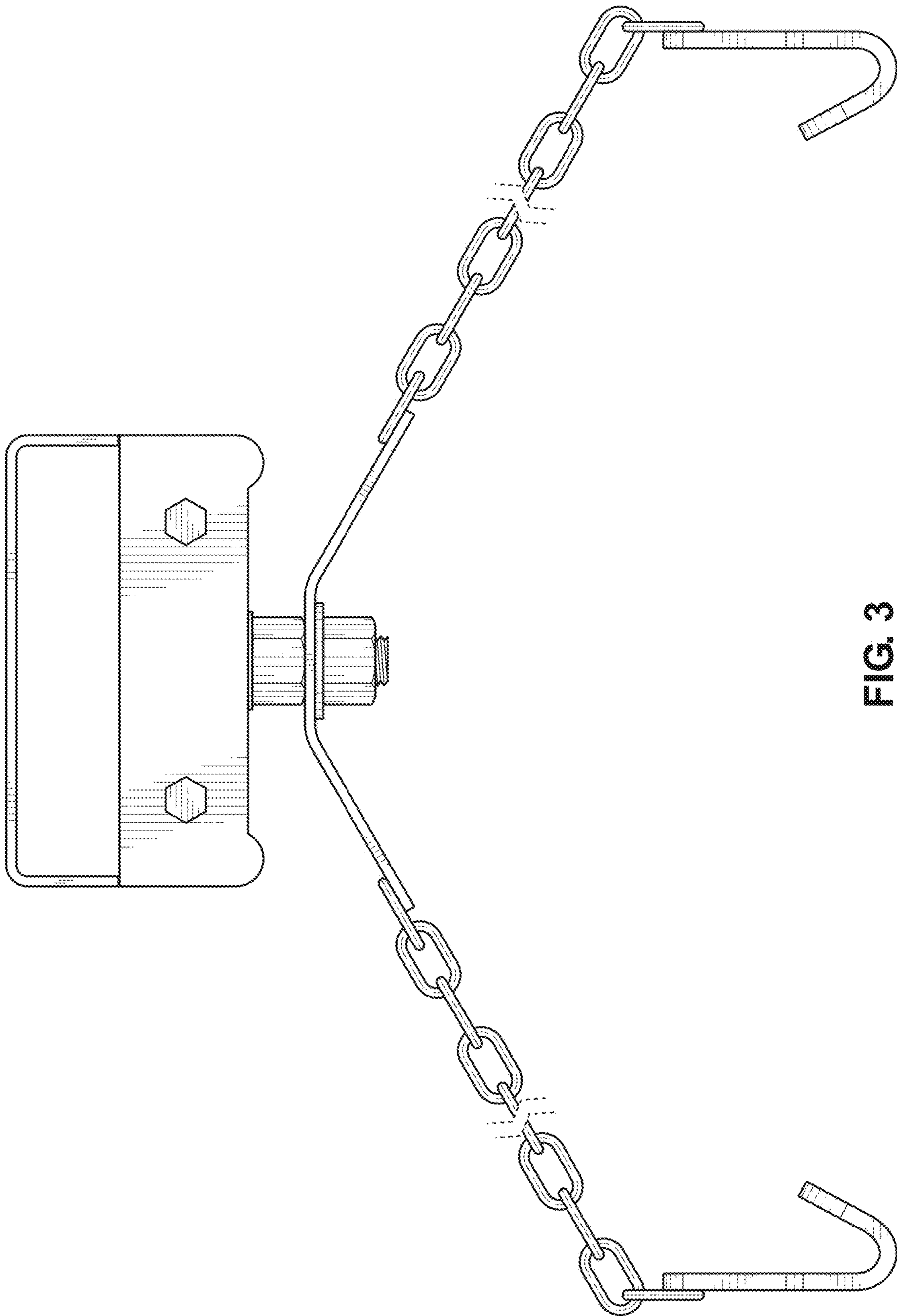


FIG. 3

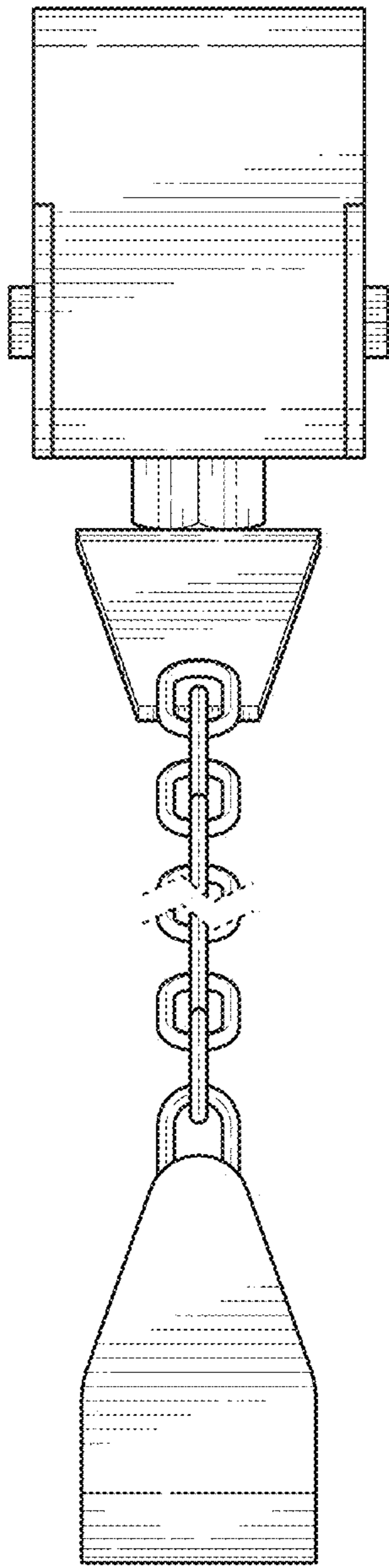


FIG. 4

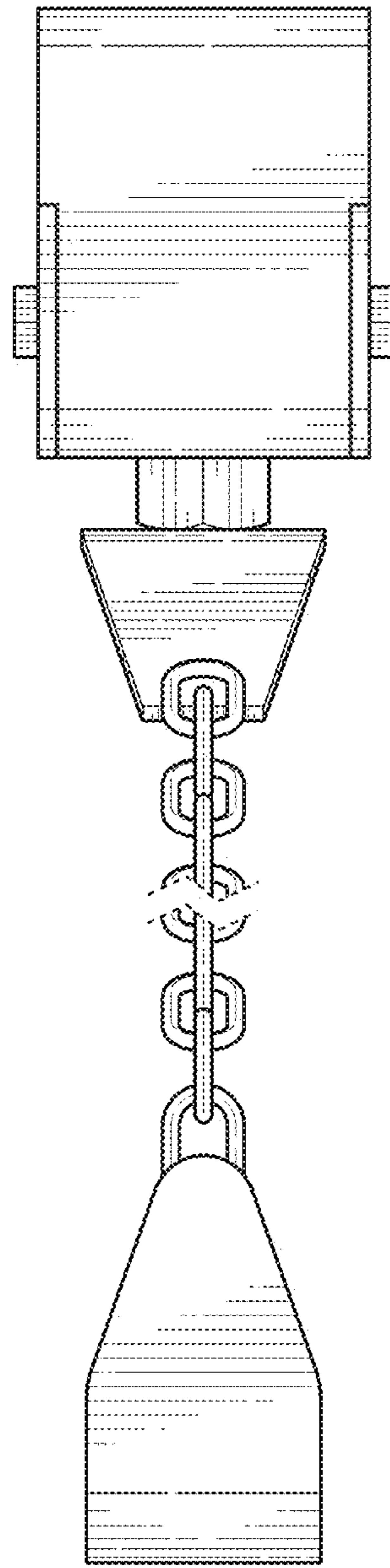


FIG. 5

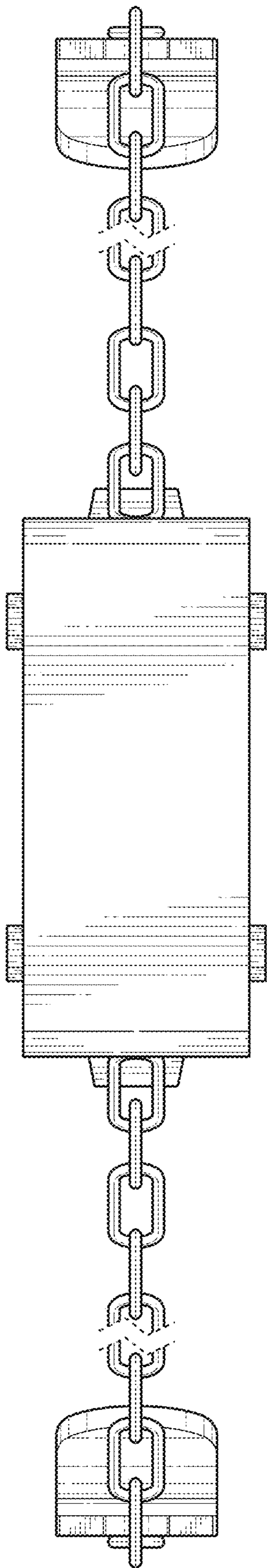


FIG. 6

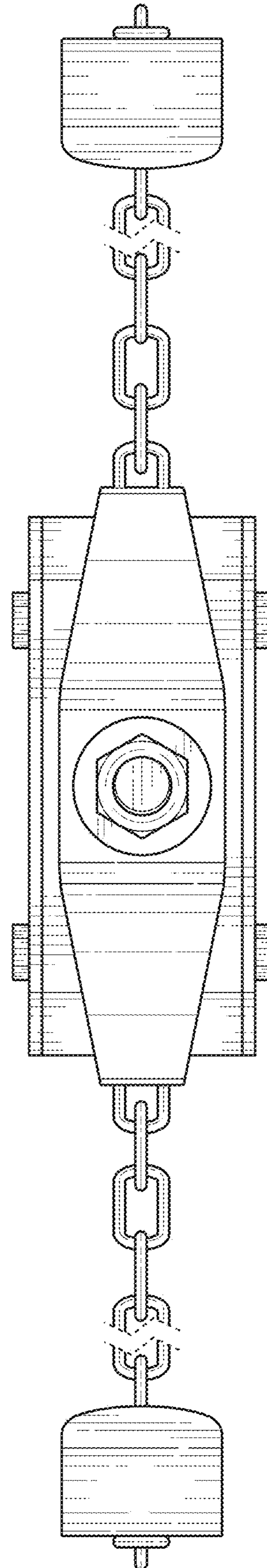


FIG. 7