



US00D913619S

(12) **United States Design Patent**
Kauffman et al.

(10) **Patent No.:** **US D913,619 S**
(45) **Date of Patent:** **** Mar. 16, 2021**

- (54) **CLEANING BRUSH AND HOLDER SET**
- (71) Applicant: **FC Brands Limited**, Central Hong Kong (HK)
- (72) Inventors: **Heather Tomasetti Kauffman**, Larchmont, NY (US); **Pieter Schouten**, Berkeley, CA (US); **David Dennys Chitayat**, Shanghai (CN)
- (73) Assignee: **FC Brands Limited**, Central Hong Kong (HK)
- (**) Term: **15 Years**
- (21) Appl. No.: **29/636,640**
- (22) Filed: **Feb. 9, 2018**
- (51) **LOC (13) Cl.** **07-05**
- (52) **U.S. Cl.**
USPC **D32/46; D4/132**
- (58) **Field of Classification Search**
USPC D32/40-43, 45-46, 50-52; D9/527-528, D9/685; D4/116-118, 132; D19/163, D19/117, 184
CPC A61B 90/80; A47L 25/00
See application file for complete search history.

- D392,079 S * 3/1998 Omerza D32/40
- D393,116 S * 3/1998 Kajimoto D32/40
- D403,703 S * 1/1999 Campbell D19/163
- D409,342 S * 5/1999 Kajimoto D32/40
- 5,947,624 A * 9/1999 Davignon B43K 29/02
401/198
- D458,760 S * 6/2002 Rowe D4/127
- 6,854,153 B1 * 2/2005 Mueller A47L 13/256
15/104.94

(Continued)

FOREIGN PATENT DOCUMENTS

CN 303163893 * 4/2015

OTHER PUBLICATIONS

AmazonSmile: Full Circle 3-in-1 Electronics Cleaning Brush Set; reviews 2018, https://smile.amazon.com/...ircle-Control-Alt-Electronics/dp/B076Y6SCZR/ref=sr_1_1?keywords=Full+Circle+keyboard+cleaner&qid=1567047404&s=gateway&sr=-1#customerReviews, site visited Aug. 28, 2019.*

(Continued)

Primary Examiner — John R Yeh
(74) *Attorney, Agent, or Firm* — Pierce Atwood LLP

(57) **CLAIM**

The ornamental design for a cleaning brush and holder set, as shown and described.

DESCRIPTION

FIG. 1 is a top plan view of a cleaning brush and holder set showing the design;
FIG. 2 is a bottom plan view thereof;
FIG. 3 is a left elevation view thereof;
FIG. 4 is a right elevation view thereof;
FIG. 5 is a front elevation view thereof; and,
FIG. 6 is a rear elevation view thereof.
The broken lines depict portions of the cleaning brush and holder set that form no part of the claimed design.

1 Claim, 5 Drawing Sheets

- (56) **References Cited**
- U.S. PATENT DOCUMENTS
- D167,620 S * 9/1952 Cullison D32/45
- D220,593 S * 4/1971 Burnhill D24/149
- 4,183,684 A * 1/1980 Avery, Jr. A45D 34/04
15/244.1
- D304,513 S * 11/1989 Loffredo D32/40
- 4,975,999 A * 12/1990 Levy A47L 13/26
15/118
- D321,422 S * 11/1991 Smith D32/46
- D331,301 S * 11/1992 Say, Jr. D32/46
- D366,151 S * 1/1996 Norris D4/114
- D374,990 S * 10/1996 Torkelson D4/114
- D375,256 S * 11/1996 Chadfield D28/7
- D377,699 S * 1/1997 McLaughlin D32/46



(56)

References Cited

U.S. PATENT DOCUMENTS

D545,899 S * 7/2007 Okutani D19/163
D555,508 S * 11/2007 Py D9/695
D628,810 S * 12/2010 Rieger D4/117
D630,437 S * 1/2011 Carey D4/116
D667,052 S * 9/2012 Bolton D19/184
D713,459 S * 9/2014 Zeitler D19/117
D738,628 S * 9/2015 Krohmer D4/118
D776,939 S * 1/2017 Krohmer D4/133
D819,979 S * 6/2018 Nicoline D4/138
D851,346 S * 6/2019 Kamody D32/40
2005/0265771 A1 * 12/2005 Lord A47L 25/00
401/198
2010/0139693 A1 * 6/2010 Zamir A47L 25/00
134/6
2016/0310231 A1 * 10/2016 Cohen A61B 90/80
2017/0320106 A1 * 11/2017 Hirsch B08B 1/006

OTHER PUBLICATIONS

Amazon.com: DSJY Pack of 5 Clay Color Shaping Modeling, reviews 2017, <https://www.amazon.com/DSYJ-Shaping-Modeling-Brushes-Sculpture/dp/B01A9UE9X4>, site visited Aug. 30, 2019.*
Full Circle Home—PR Proposal, publish date Dec. 15, 2017, <https://www.slideshare.net/SarahKessler14/full-circle-home-pr-proposal>, site visited Aug. 30, 2019.*

* cited by examiner

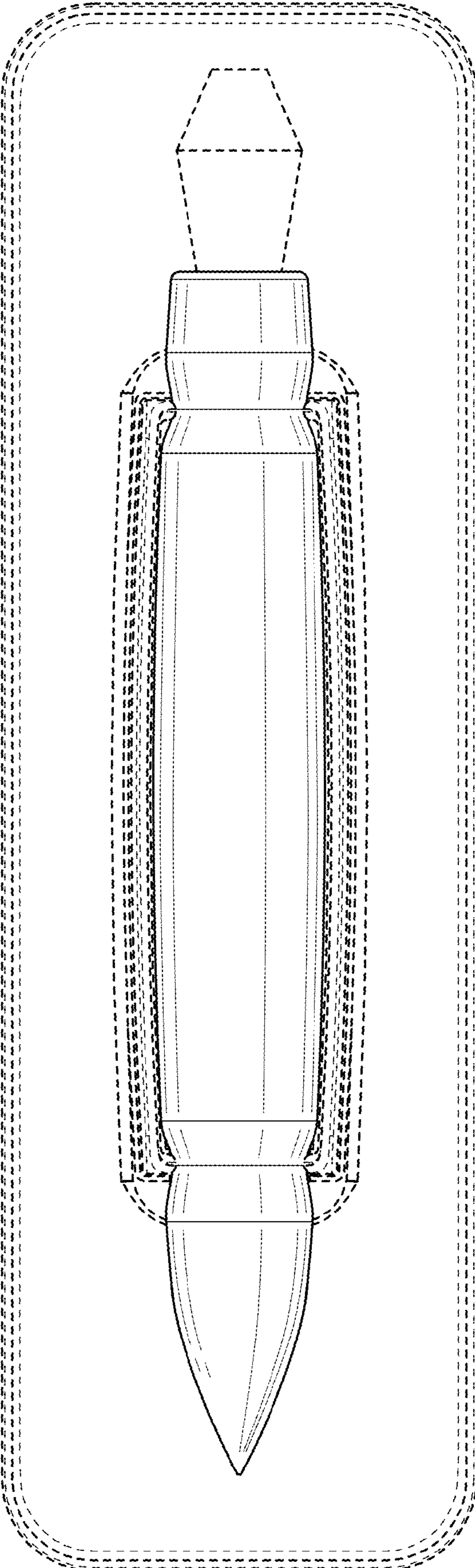


FIG. 1

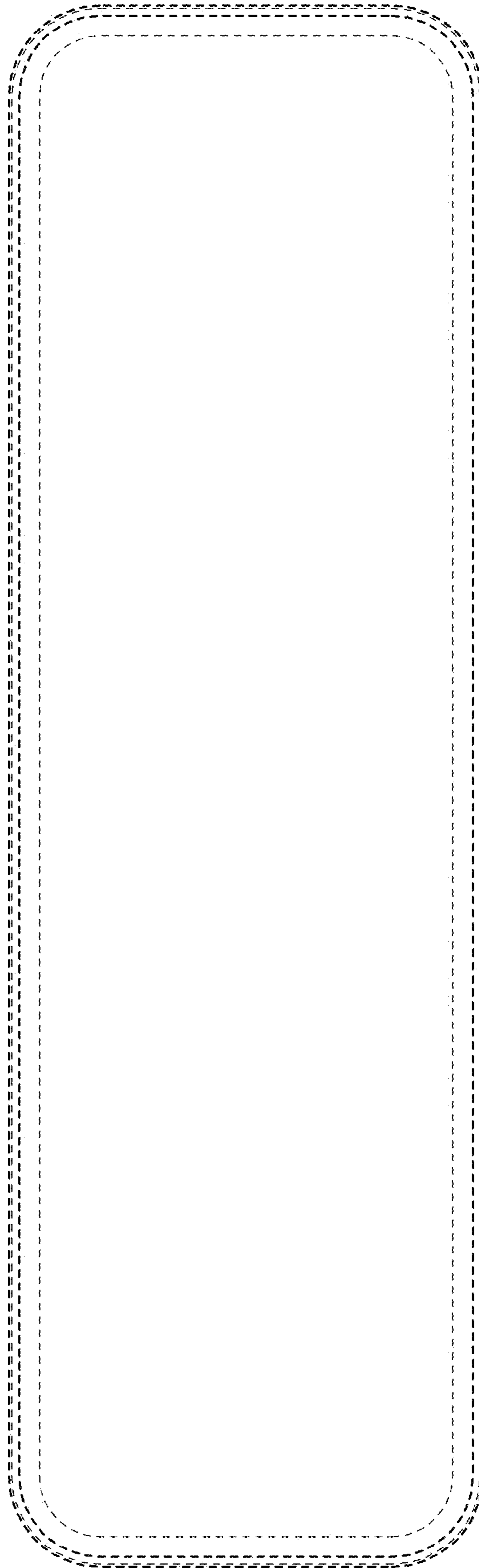


FIG. 2

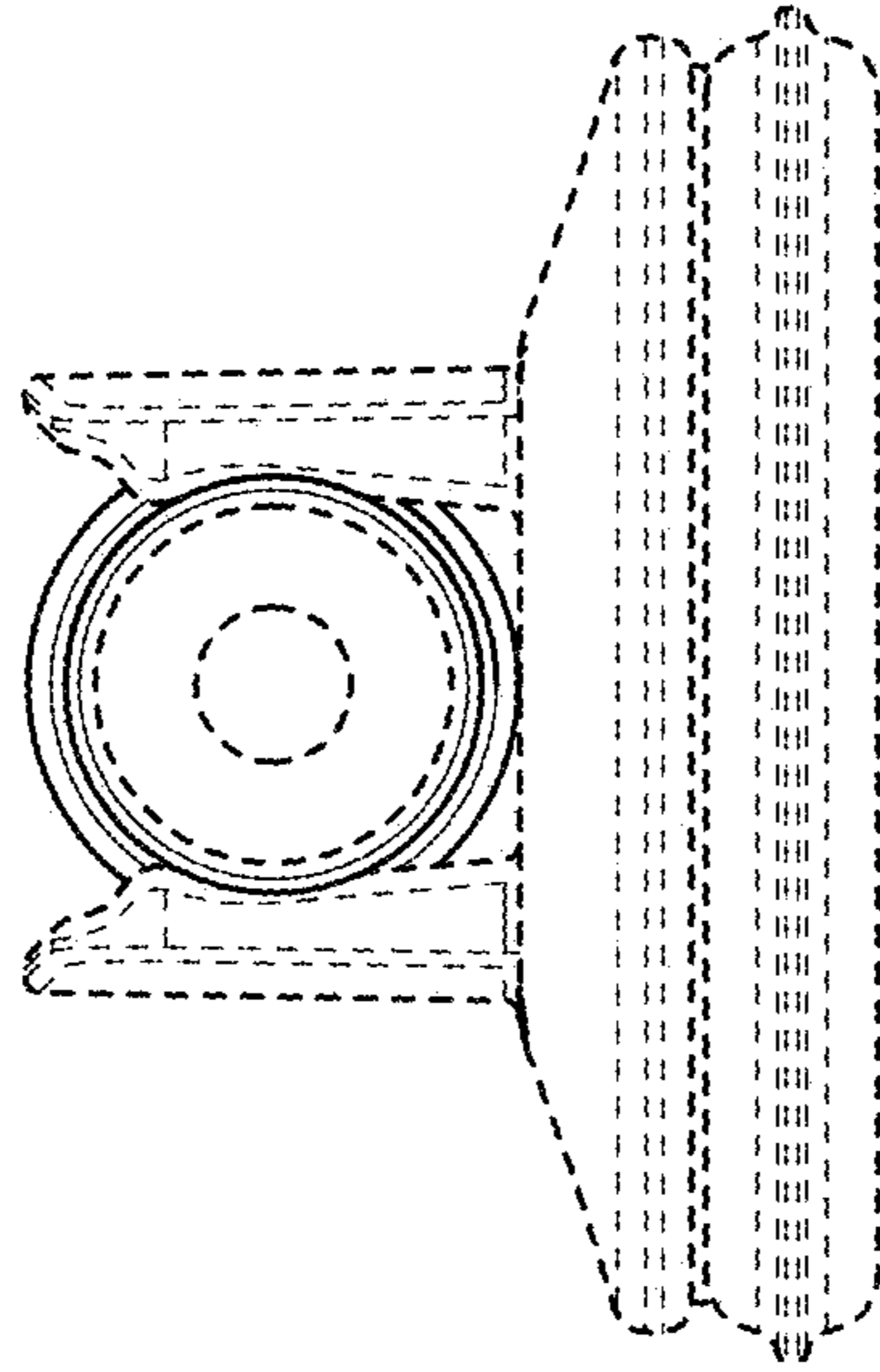


FIG. 4

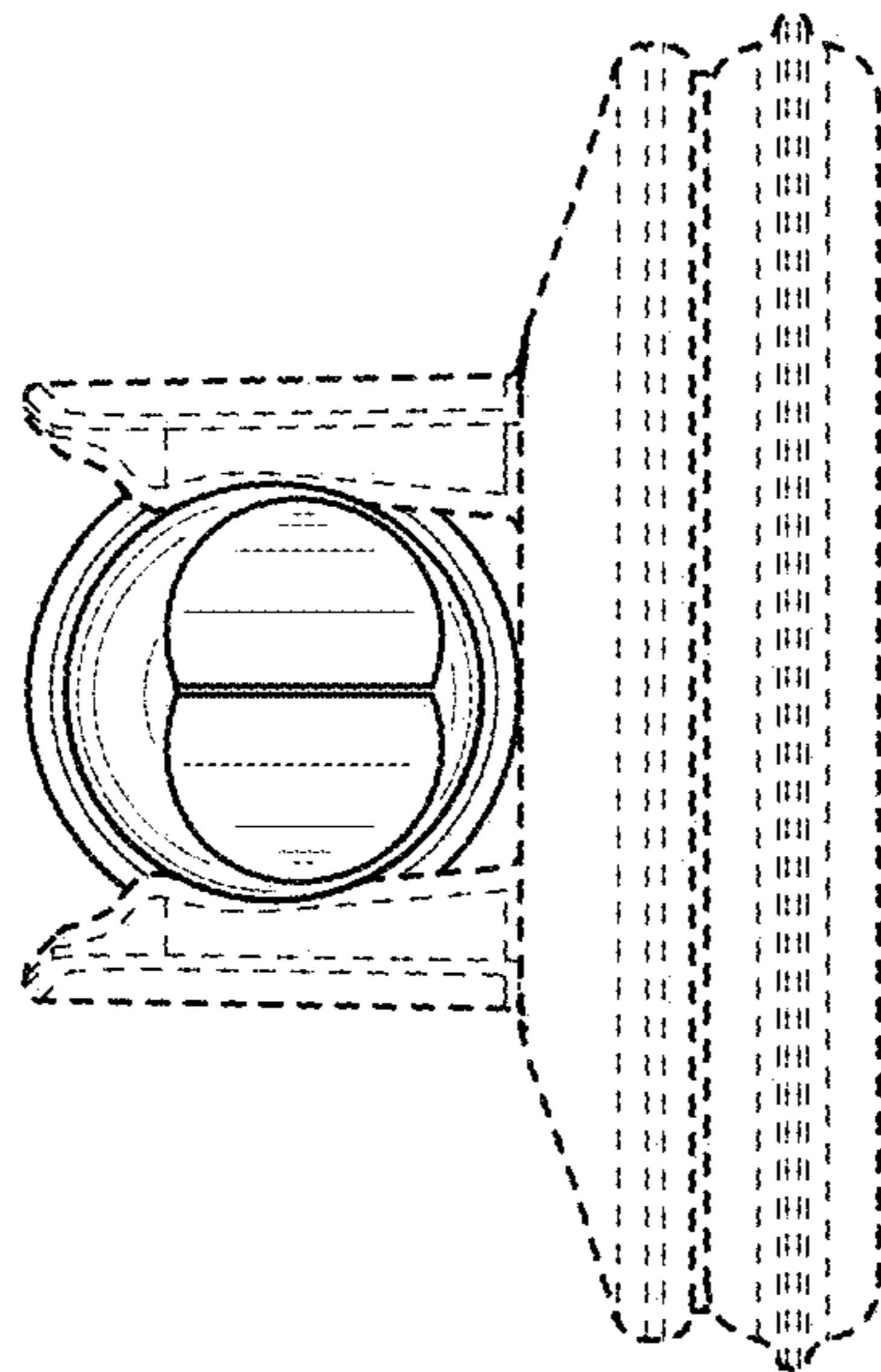


FIG. 3

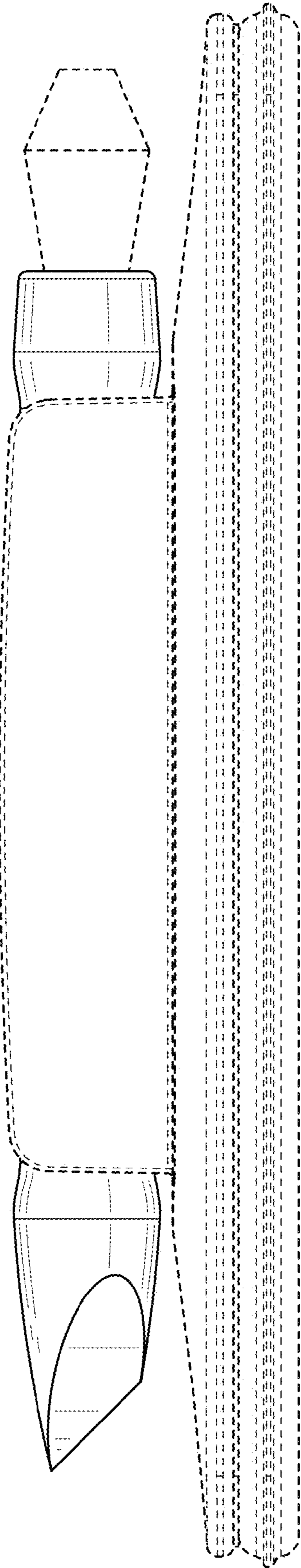


FIG. 5

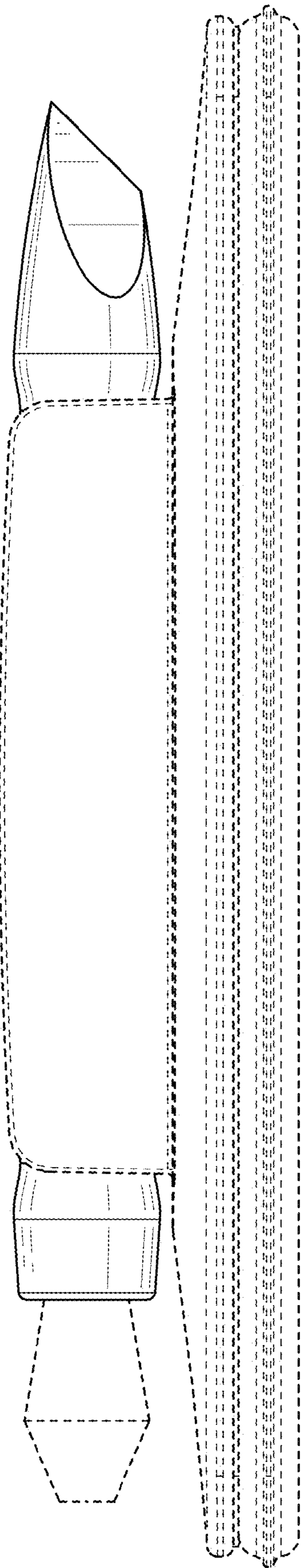


FIG. 6