



US00D913618S

(12) **United States Design Patent** (10) **Patent No.:** **US D913,618 S**  
**Mathias et al.** (45) **Date of Patent:** **\*\* Mar. 16, 2021**

(54) **MOP PAD**

(71) Applicant: **SHARKNINJA OPERATING LLC**,  
Needham, MA (US)

(72) Inventors: **Richard R. Mathias**, Brookline, MA  
(US); **Brandon J. Suleski**, Cambridge,  
MA (US); **James P. Bilodeau**, North  
Billerica, MA (US); **Michael James  
Douglas**, London (GB); **Yu Ri Young  
Kim**, Brighton, MA (US); **Christopher  
J. Meyer-Rassow**, London (GB); **Da  
Deng**, Newton, MA (US); **Samuel  
Emrys James**, London (GB)

(73) Assignee: **SHARKNINJA OPERATING LLC**,  
Needham, MA (US)

(\*\*) Term: **15 Years**

(21) Appl. No.: **29/680,842**

(22) Filed: **Feb. 20, 2019**

(51) **LOC (13) Cl.** ..... **07-05**

(52) **U.S. Cl.**  
USPC ..... **D32/45**

(58) **Field of Classification Search**  
USPC ..... D32/40-43, 46, 50-52, 68

(Continued)

(56) **References Cited**

U.S. PATENT DOCUMENTS

D358,238 S \* 5/1995 Barnett ..... D32/40  
D402,776 S \* 12/1998 Carlson ..... D32/50

(Continued)

*Primary Examiner* — John R Yeh

(74) *Attorney, Agent, or Firm* — Dilworth IP, LLC

(57) **CLAIM**

The ornamental design for a mop pad, as shown and described.

**DESCRIPTION**

FIG. 1 is a front, top, left perspective view for a mop pad, showing our new design;

FIG. 2 is a front, top, right perspective view thereof;  
FIG. 3 is a rear, top, right perspective view thereof;  
FIG. 4 is a rear, top, left perspective view thereof;  
FIG. 5 is a front, bottom, right perspective view thereof;  
FIG. 6 is a front, bottom, left perspective view thereof;  
FIG. 7 is a rear, bottom, right perspective view thereof;  
FIG. 8 is a rear, bottom, left perspective view thereof;  
FIG. 9 is a front side view thereof;  
FIG. 10 is a rear view thereof;  
FIG. 11 is a right view thereof;  
FIG. 12 is a left view thereof;  
FIG. 13 is a top view thereof; and  
FIG. 14 is a bottom view thereof;  
FIG. 15 is a front, top, left perspective view of the mop pad of FIGS. 1-14 with a portion of the top surface removed;  
FIG. 16 is a front, top, right perspective view thereof;  
FIG. 17 is a rear, top, right perspective view thereof;  
FIG. 18 is a rear, top, left perspective view thereof;  
FIG. 19 is a front, bottom, right perspective view thereof;  
FIG. 20 is a front, bottom, left perspective view thereof;  
FIG. 21 is a rear, bottom, right perspective view thereof;  
FIG. 22 is a rear, bottom, left perspective view thereof;  
FIG. 23 is a front side view thereof;  
FIG. 24 is a rear view thereof;  
FIG. 25 is a right view thereof;  
FIG. 26 is a left view thereof;  
FIG. 27 is a top view thereof; and  
FIG. 28 is a bottom view thereof;  
FIG. 29 is a front, top, left perspective view of the mop pad of FIGS. 1-14 with portions of the surface disclaimed;  
FIG. 30 is a front, top, right perspective view thereof;  
FIG. 31 is a rear, top, right perspective view thereof;  
FIG. 32 is a rear, top, left perspective view thereof;  
FIG. 33 is a front, bottom, right perspective view thereof;  
FIG. 34 is a front, bottom, left perspective view thereof;  
FIG. 35 is a rear, bottom, right perspective view thereof;  
FIG. 36 is a rear, bottom, left perspective view thereof;  
FIG. 37 is a front side view thereof;  
FIG. 38 is a rear view thereof;  
FIG. 39 is a right view thereof;  
FIG. 40 is a left view thereof;  
FIG. 41 is a top view thereof; and  
FIG. 42 is a bottom view thereof;

(Continued)

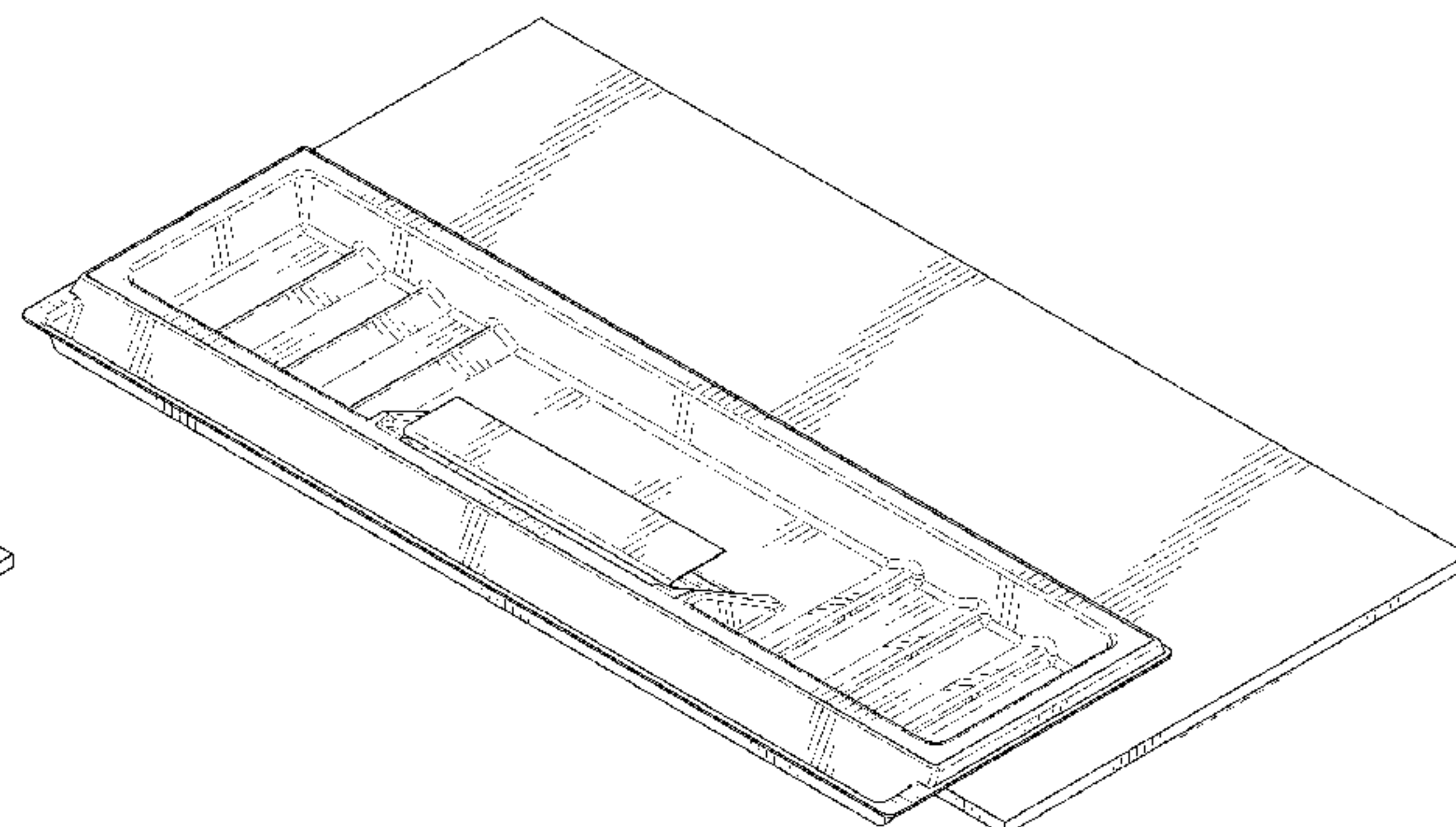
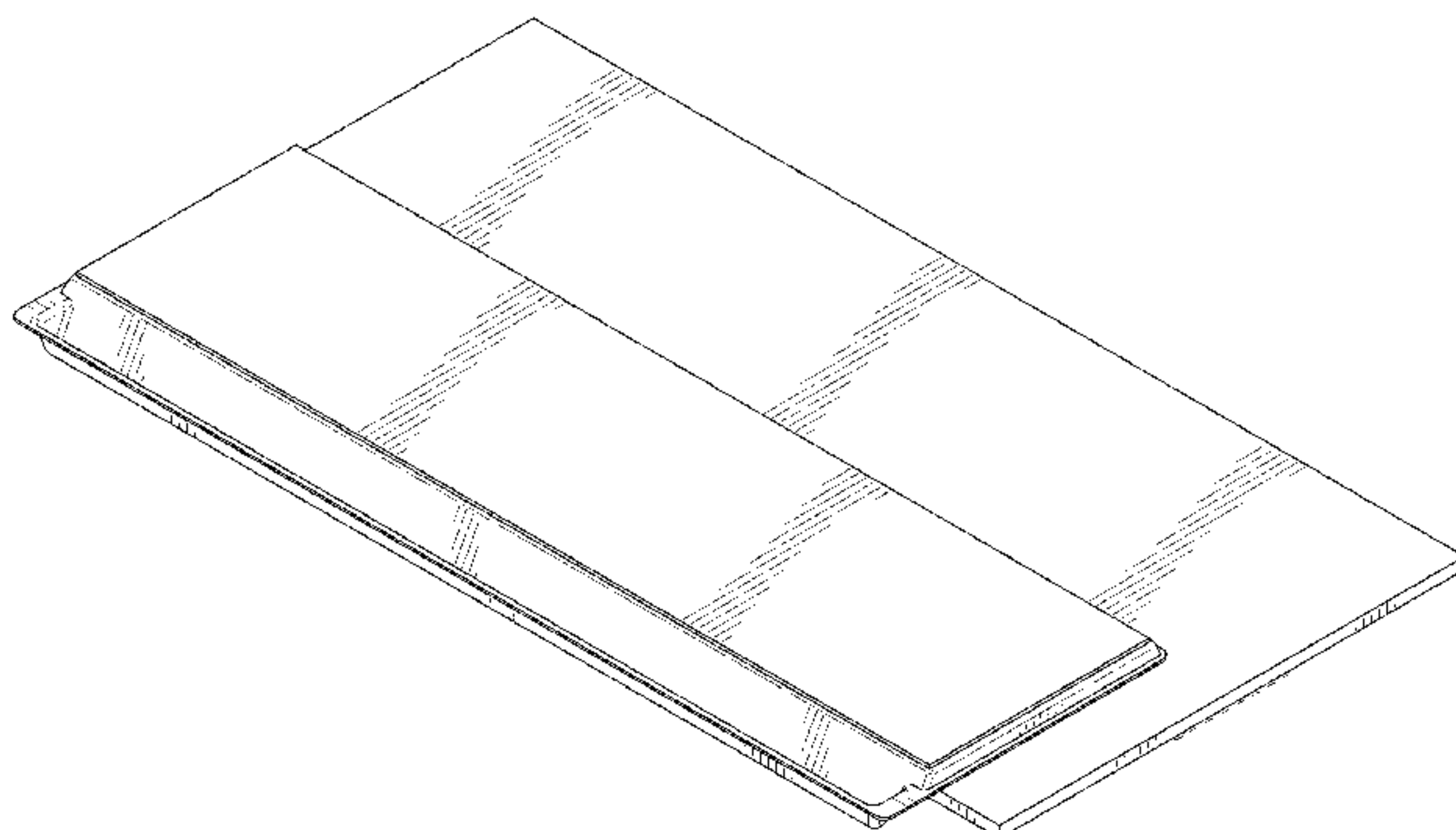


FIG. 43 is a front, top, left perspective view of the mop pad (56) of FIGS. 15-28 with portions of the surface disclaimed;  
 FIG. 44 is a front, top, right perspective view thereof;  
 FIG. 45 is a rear, top, right perspective view thereof;  
 FIG. 46 is a rear, top, left perspective view thereof;  
 FIG. 47 is a front, bottom, right perspective view thereof;  
 FIG. 48 is a front, bottom, left perspective view thereof;  
 FIG. 49 is a rear, bottom, right perspective view thereof;  
 FIG. 50 is a rear, bottom, left perspective view thereof;  
 FIG. 51 is a front side view thereof;  
 FIG. 52 is a rear view thereof;  
 FIG. 53 is a right view thereof;  
 FIG. 54 is a left view thereof;  
 FIG. 55 is a top view thereof; and,  
 FIG. 56 is a bottom view thereof.

**1 Claim, 48 Drawing Sheets**

(58) **Field of Classification Search**

CPC ... A47L 11/40; A47L 1/08; A47L 1/00; A47L 13/12; A47L 13/10; B44D 3/16; E04F 21/00; E04F 21/24; E04D 13/076; E04D 13/04

See application file for complete search history.

**References Cited**

U.S. PATENT DOCUMENTS

5,915,437	A *	6/1999	Petner .....	A47L 13/256
				15/147.1
D506,050	S *	6/2005	Lalanne .....	D32/45
D554,815	S *	11/2007	Harper .....	D32/40
D563,068	S *	2/2008	Jiang .....	D32/50
D615,260	S *	5/2010	Koenig .....	D32/45
D644,386	S *	8/2011	Tawara .....	D32/51
D653,826	S *	2/2012	Lee .....	D32/50
D657,928	S *	4/2012	Byrne .....	D32/50
D658,836	S *	5/2012	Ediger .....	D32/50
D677,031	S *	2/2013	Best .....	D32/50
D720,906	S *	1/2015	Baldwin .....	D32/50
D766,528	S *	9/2016	Choi .....	D32/50
D792,043	S *	7/2017	Buckley .....	D32/50
D793,639	S *	8/2017	Schuller .....	D32/45
2006/0018706	A1 *	1/2006	Bensussan .....	A47L 13/42
				403/122
2006/0048327	A1 *	3/2006	Lacotta .....	A47L 13/256
				15/228
2006/0070196	A1 *	4/2006	Lacotta .....	A47L 13/12
				15/118
2017/0049292	A1 *	2/2017	Harrington .....	A47L 13/22

\* cited by examiner

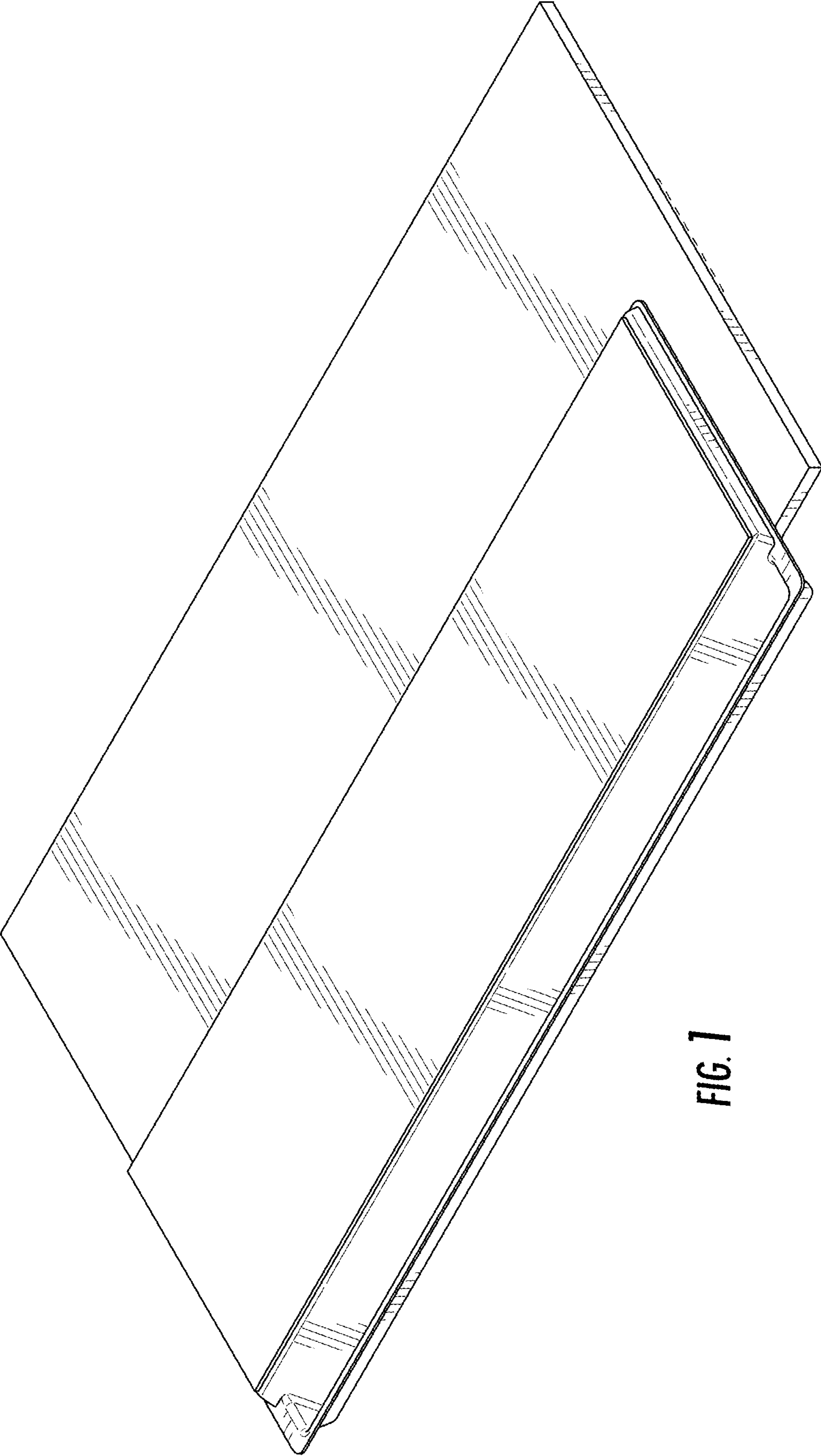


FIG. 1



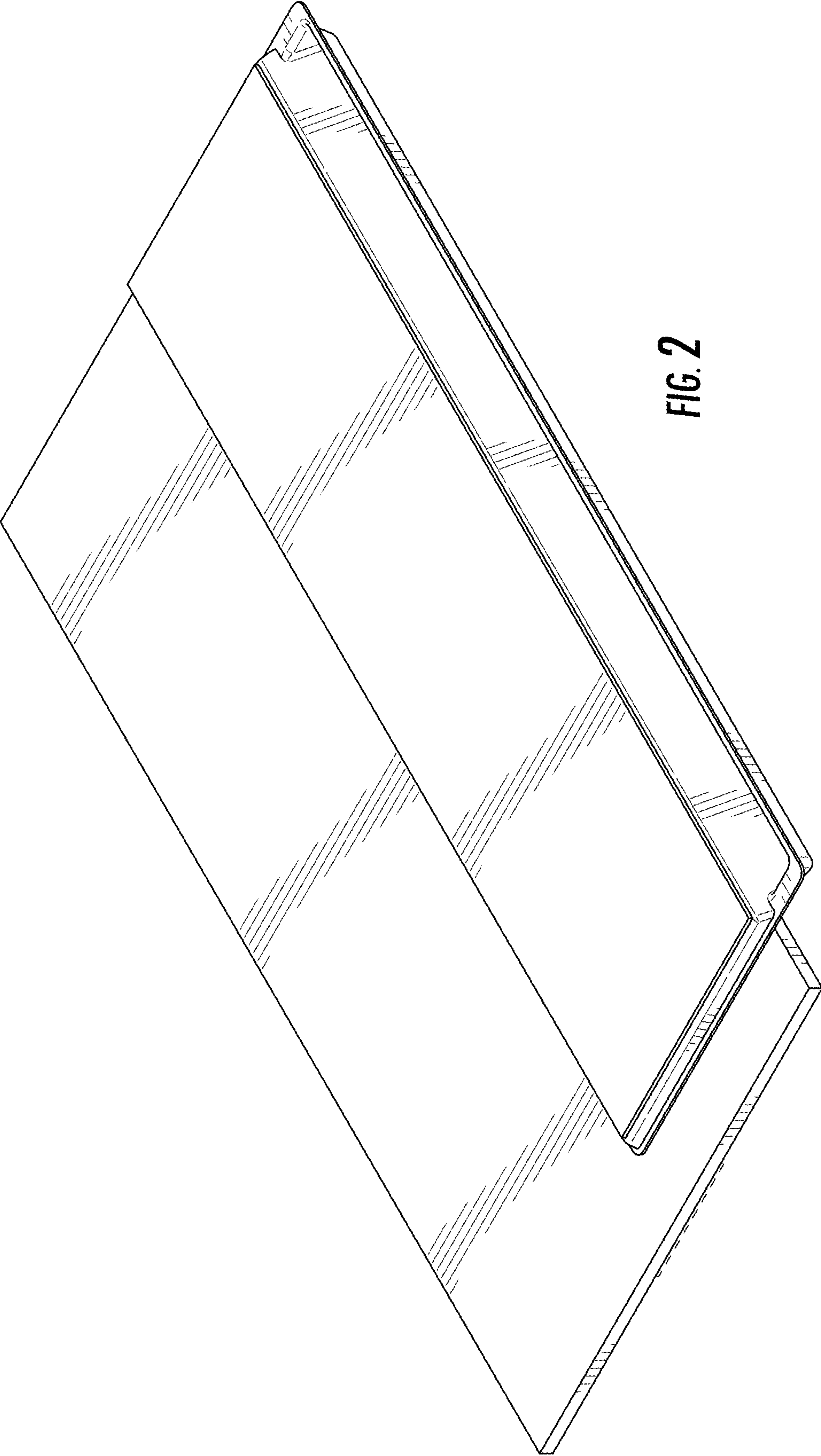


FIG. 2

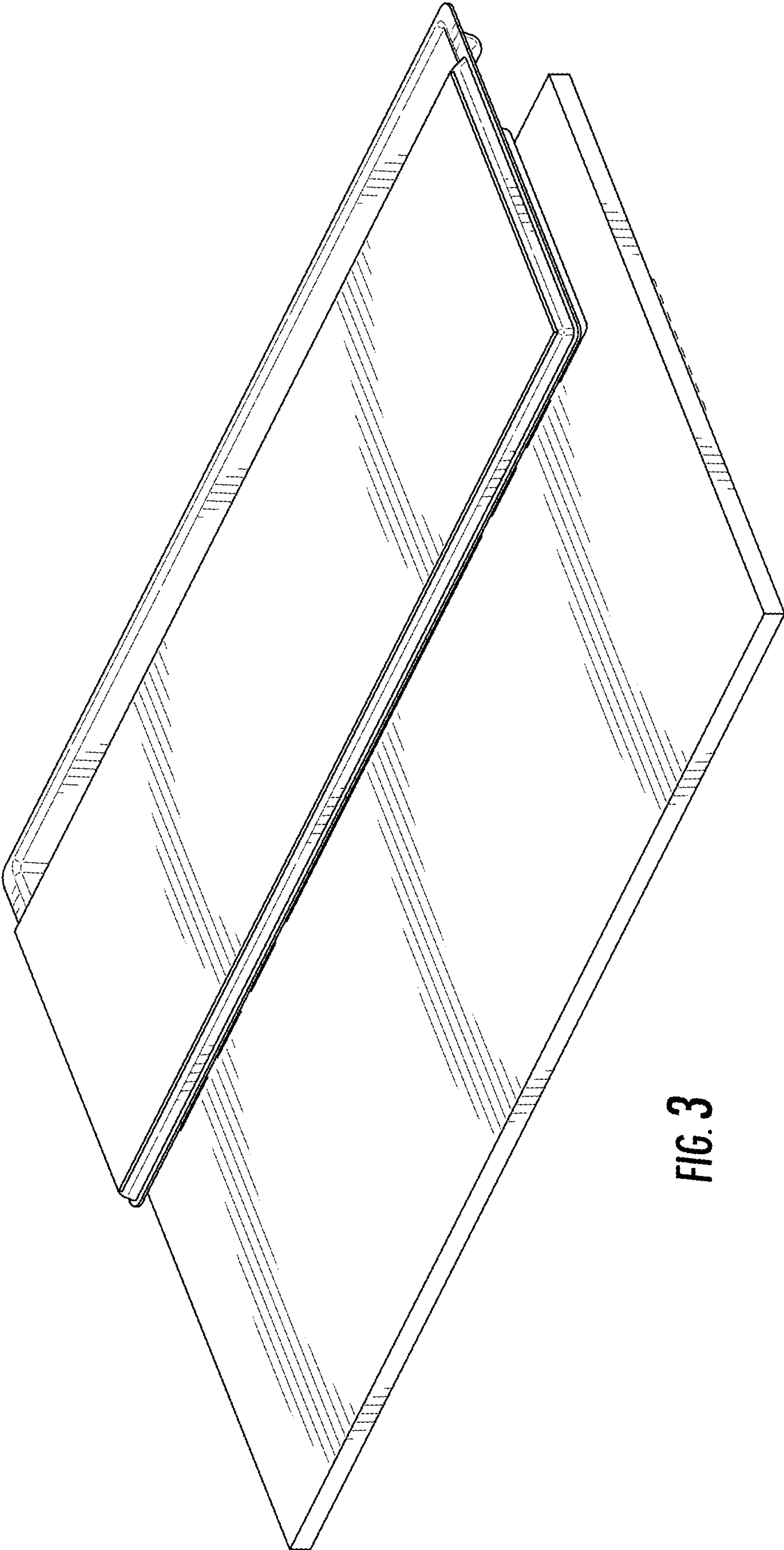


FIG. 3

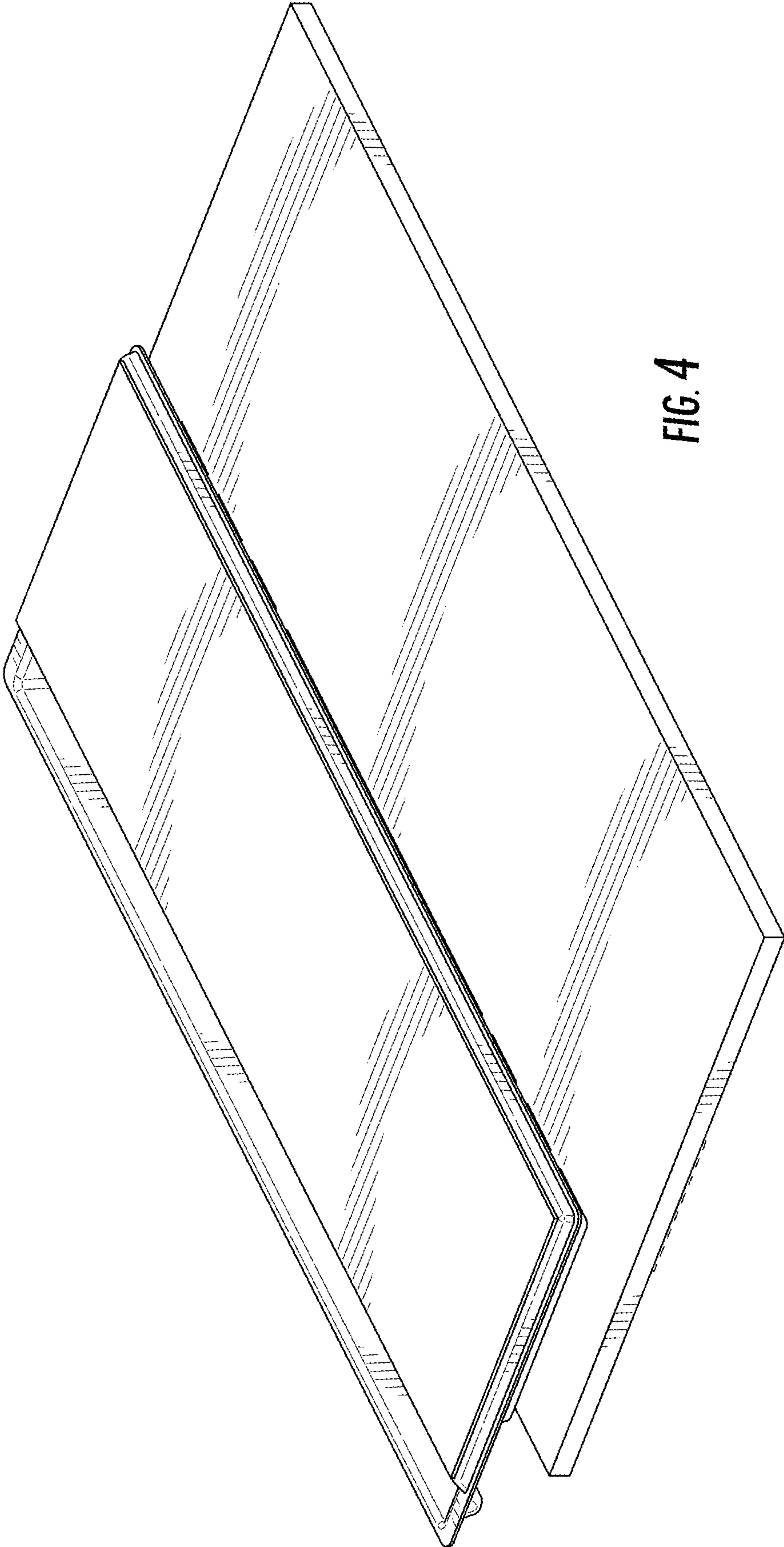


FIG. 4

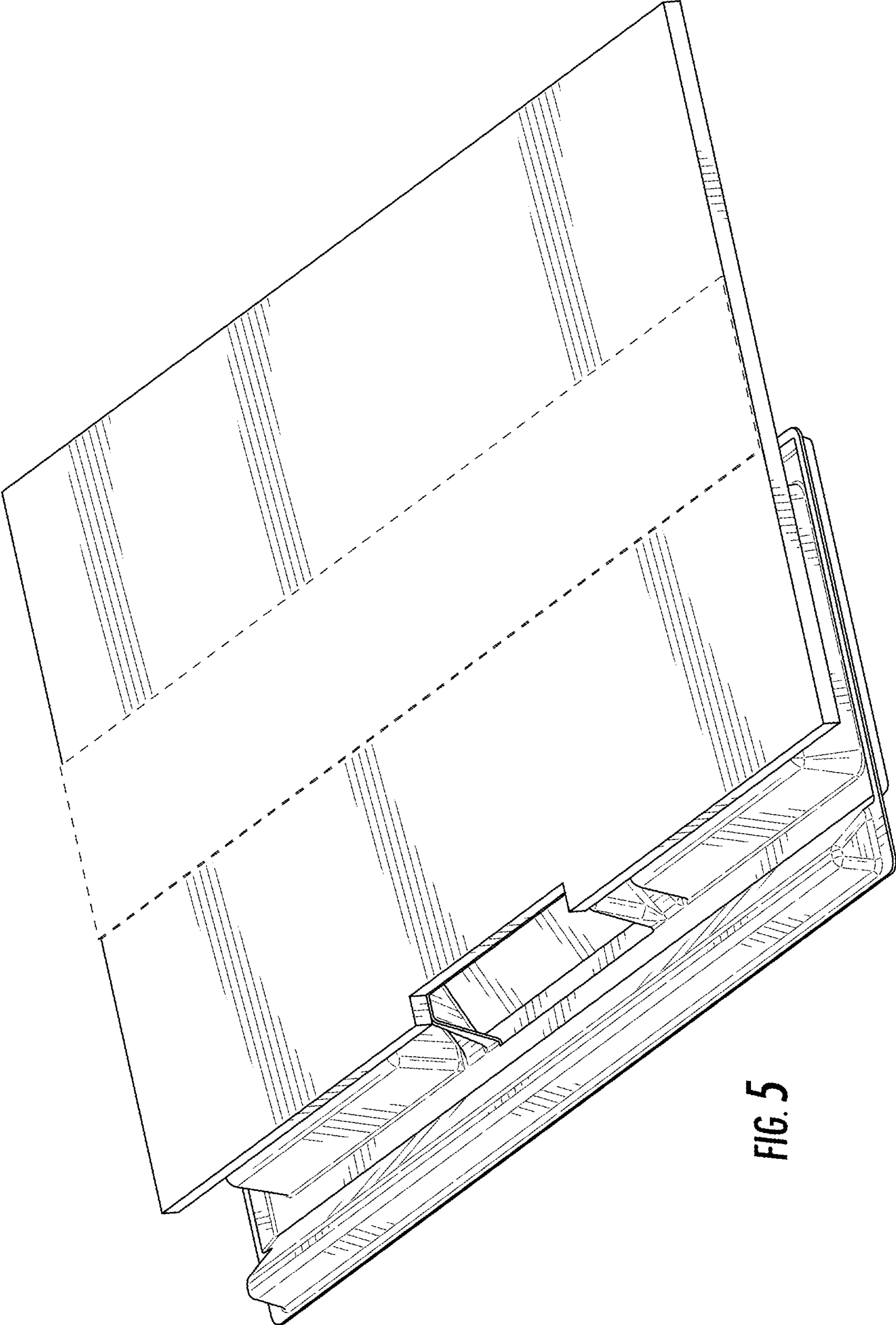


FIG. 5



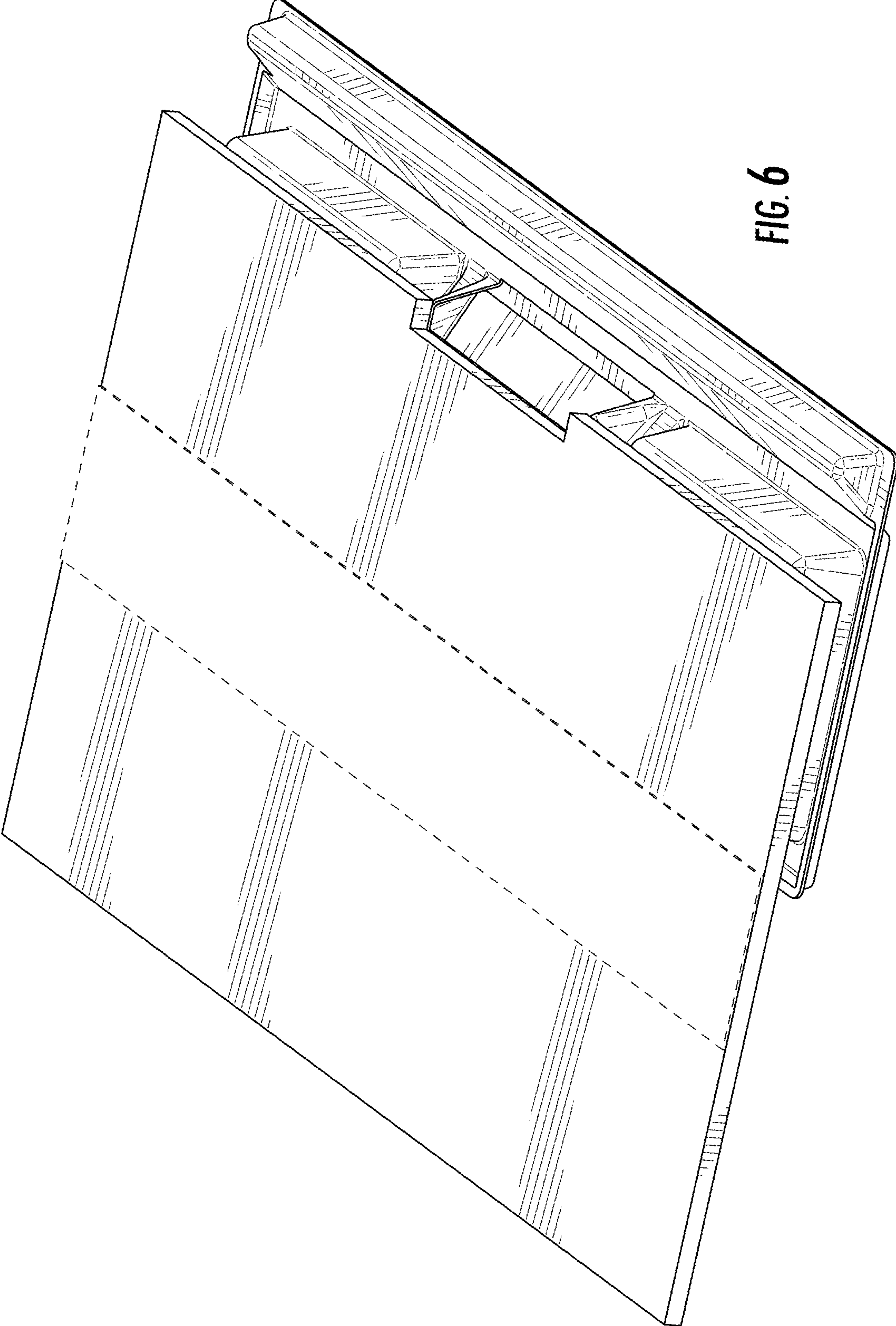


FIG. 6



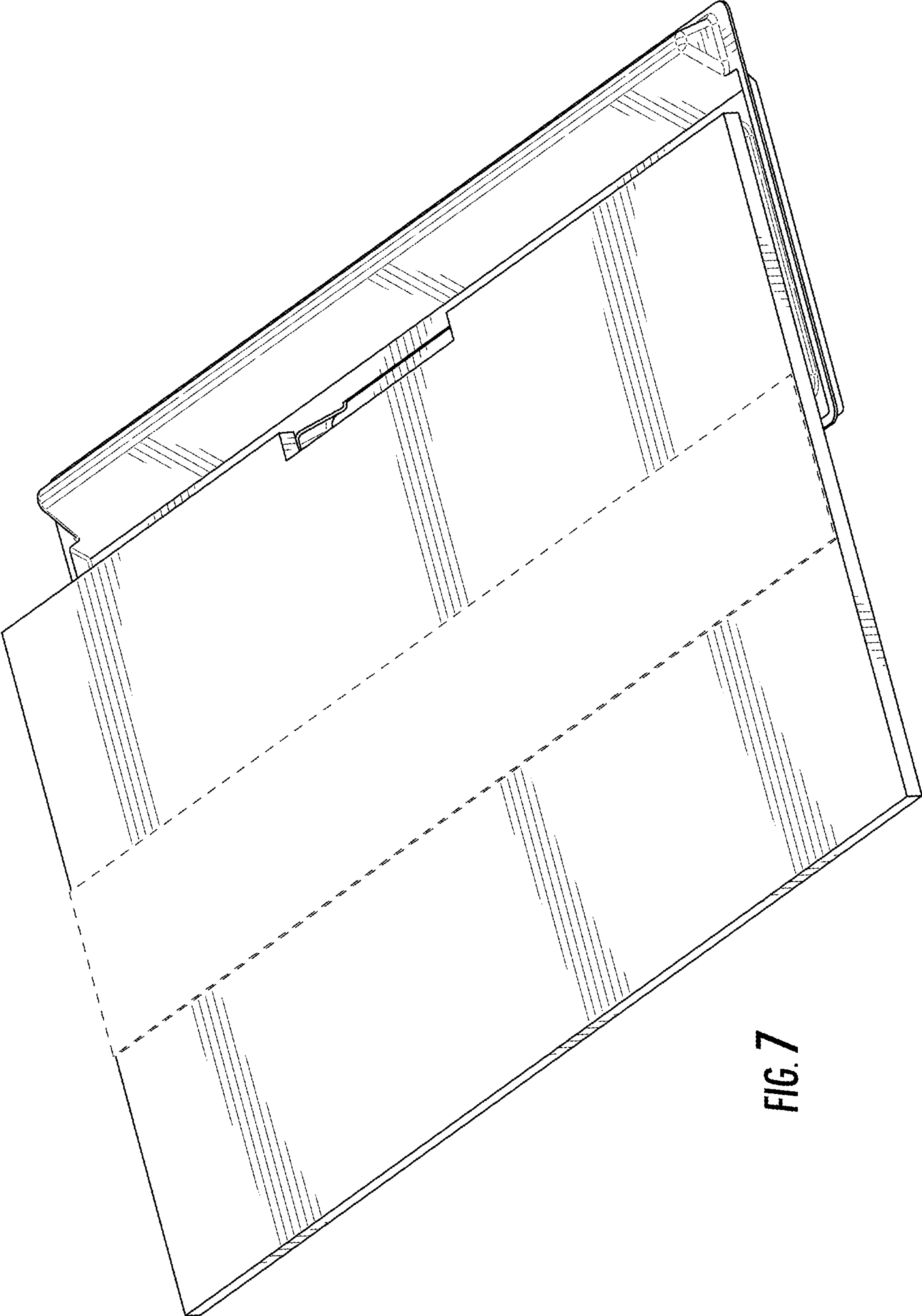


FIG. 7

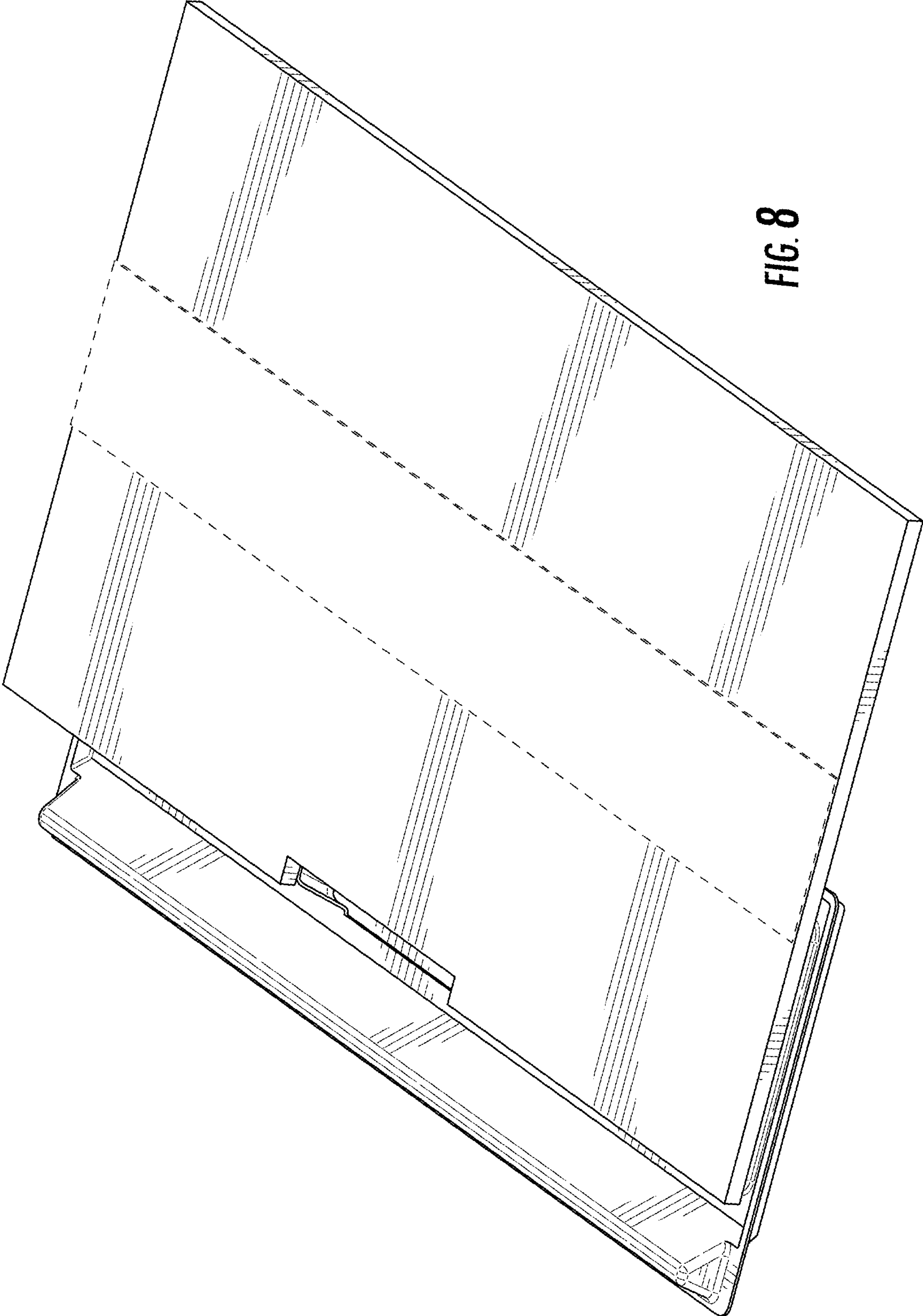


FIG. 8

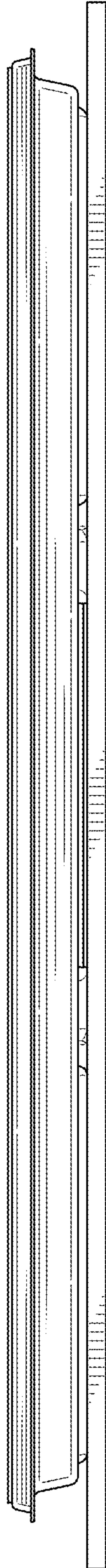


FIG. 9

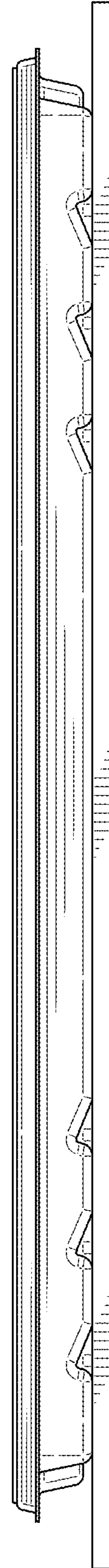
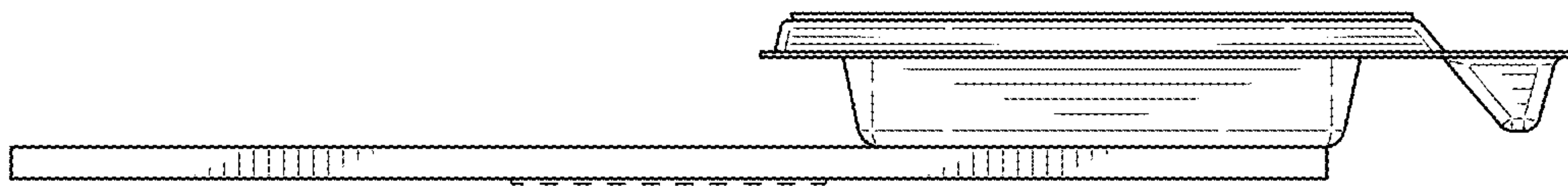
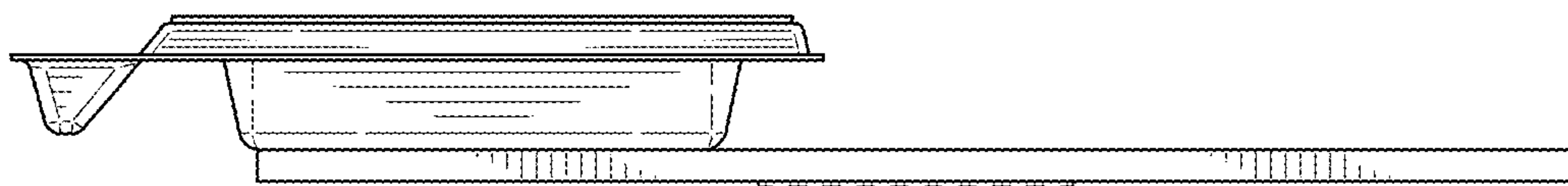


FIG. 10





**FIG. 11**



**FIG. 12**

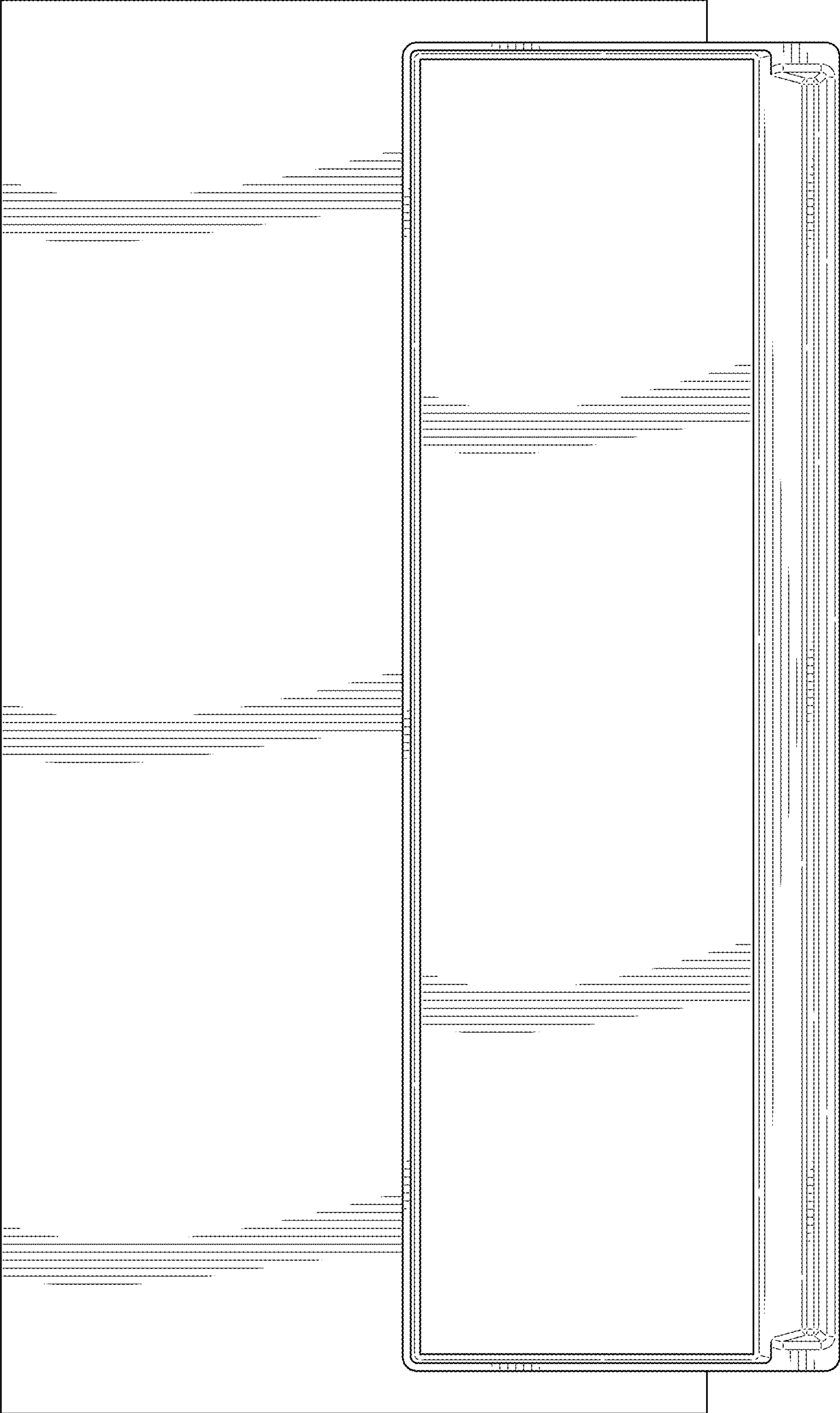


FIG. 13

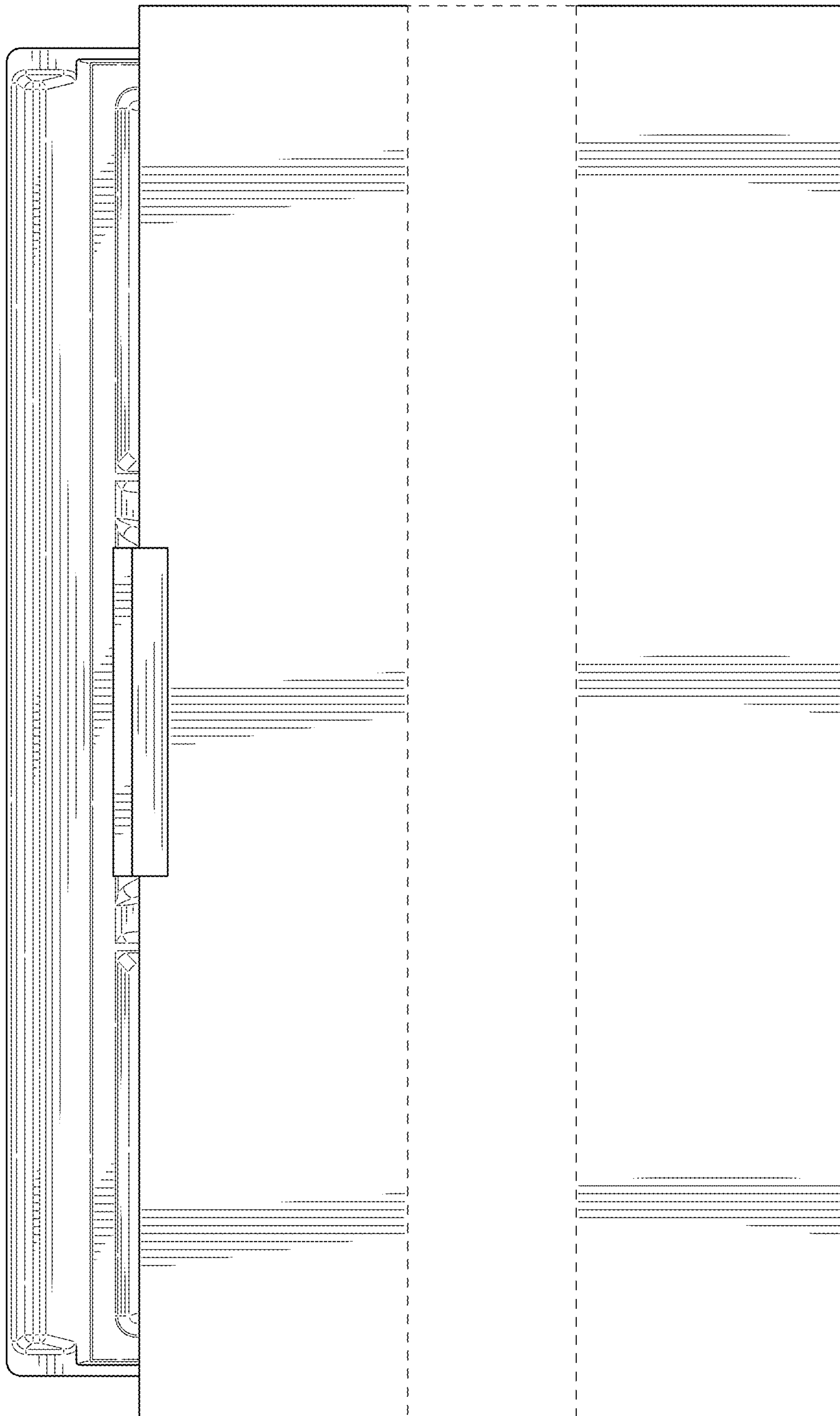


FIG. 14



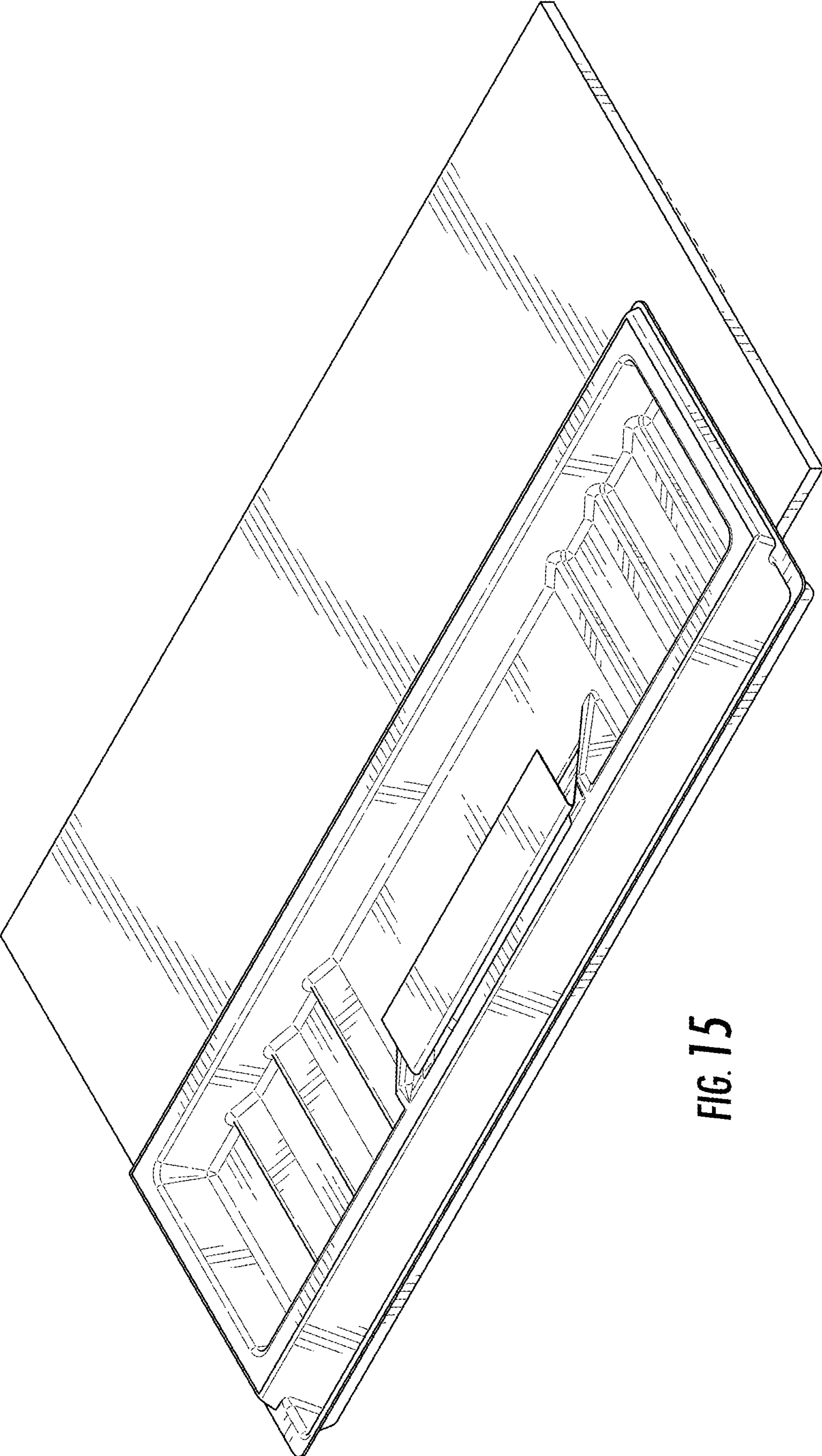


FIG. 15

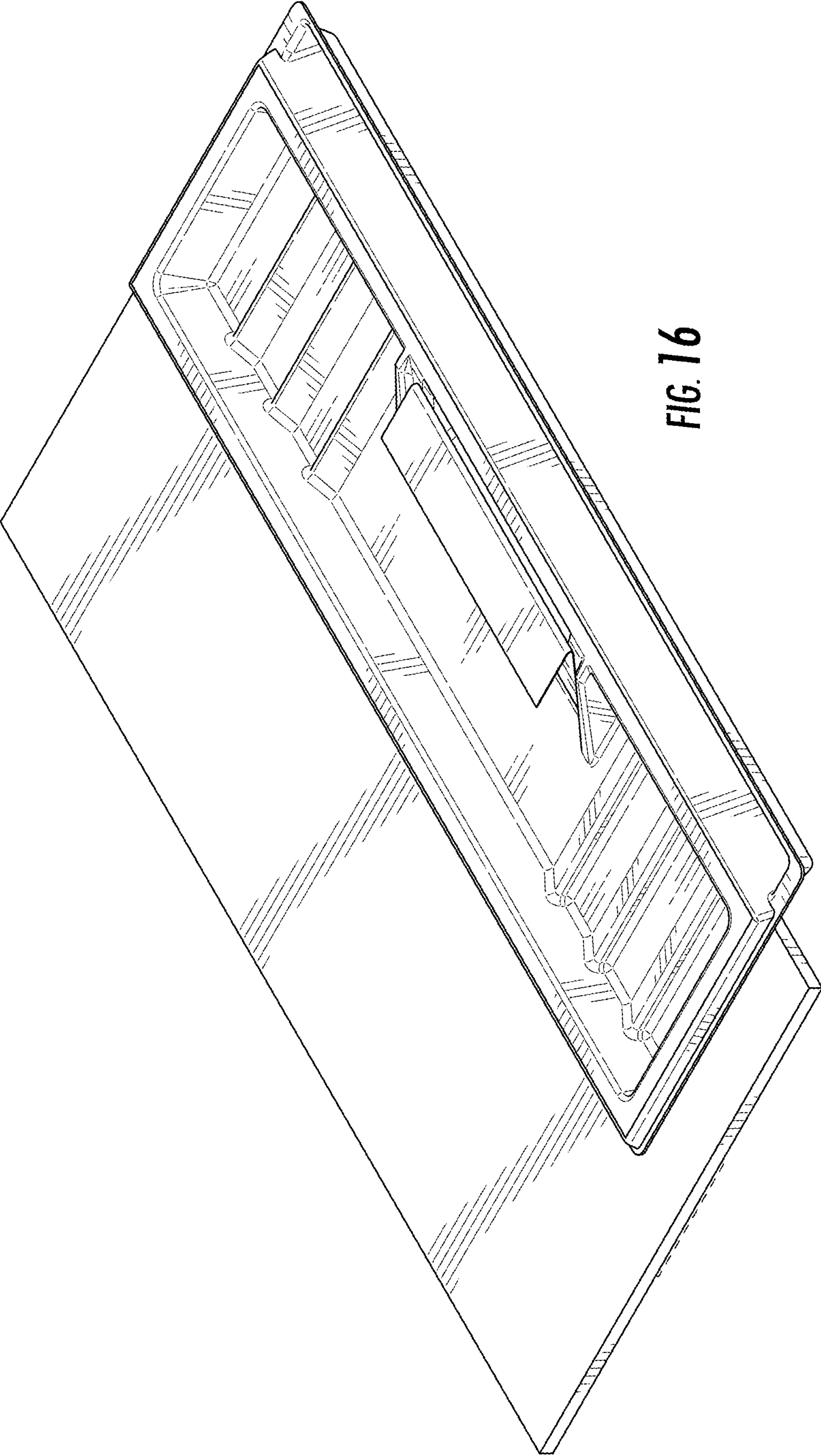


FIG. 16

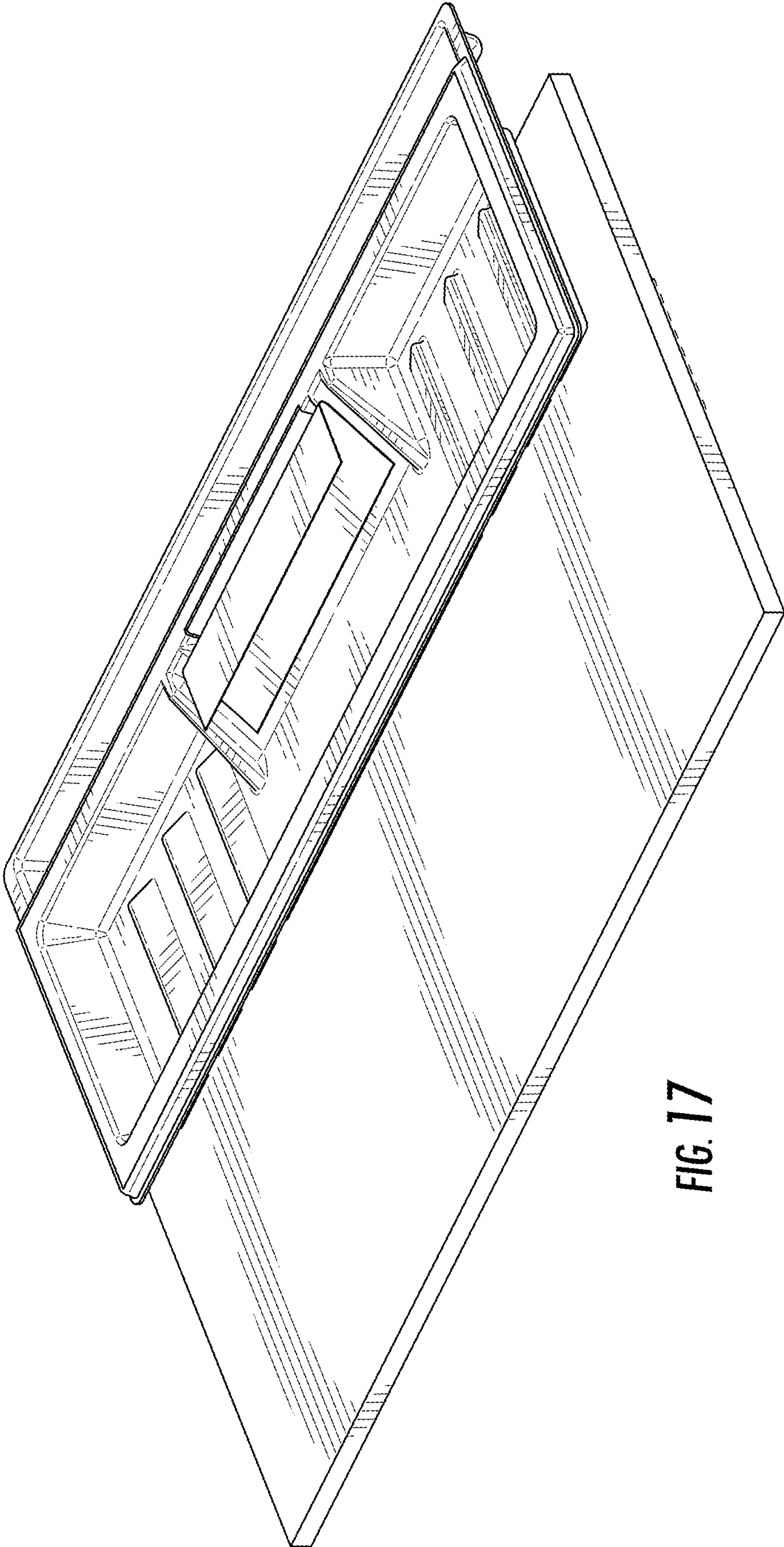


FIG. 17



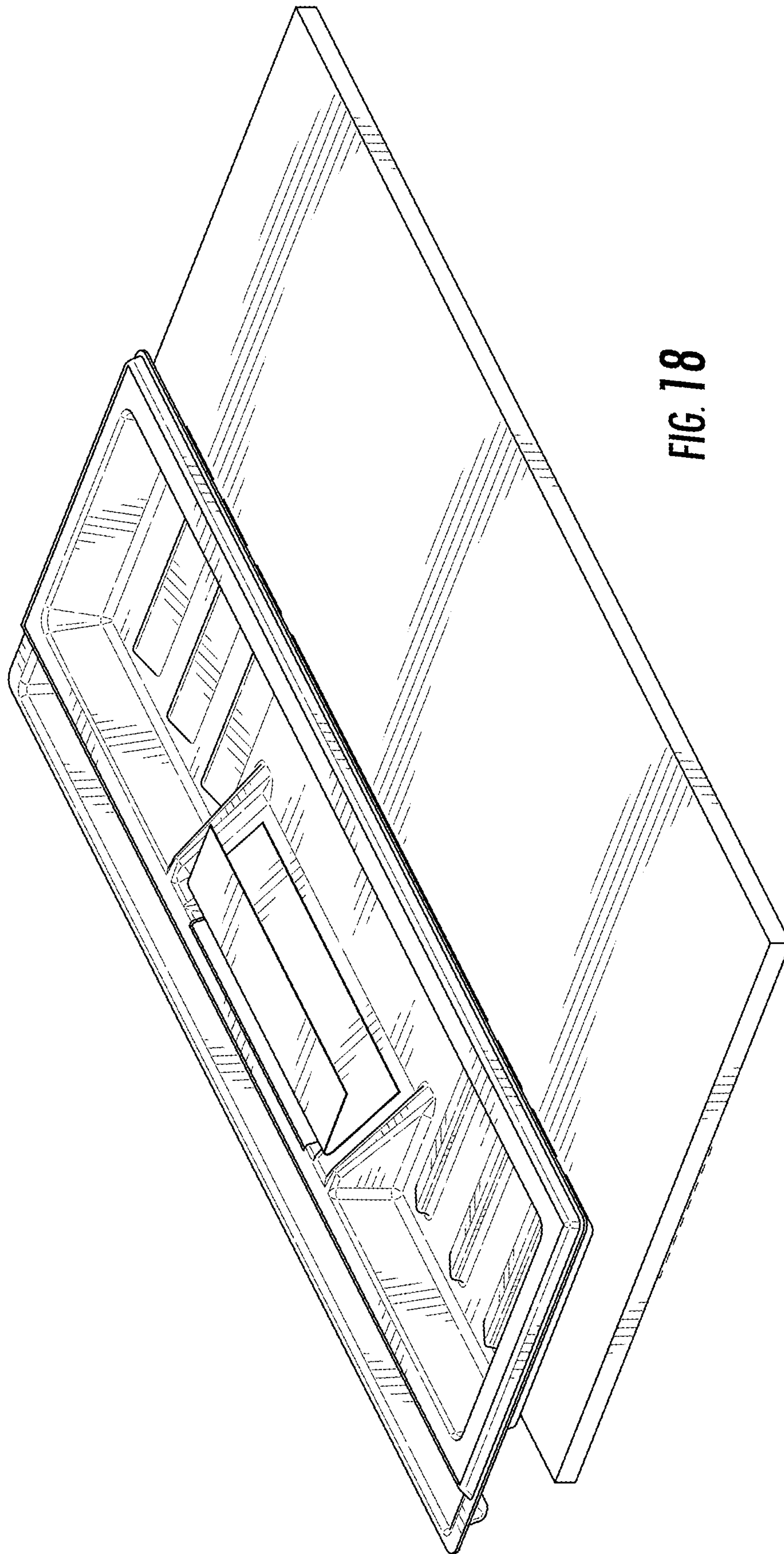


FIG. 18

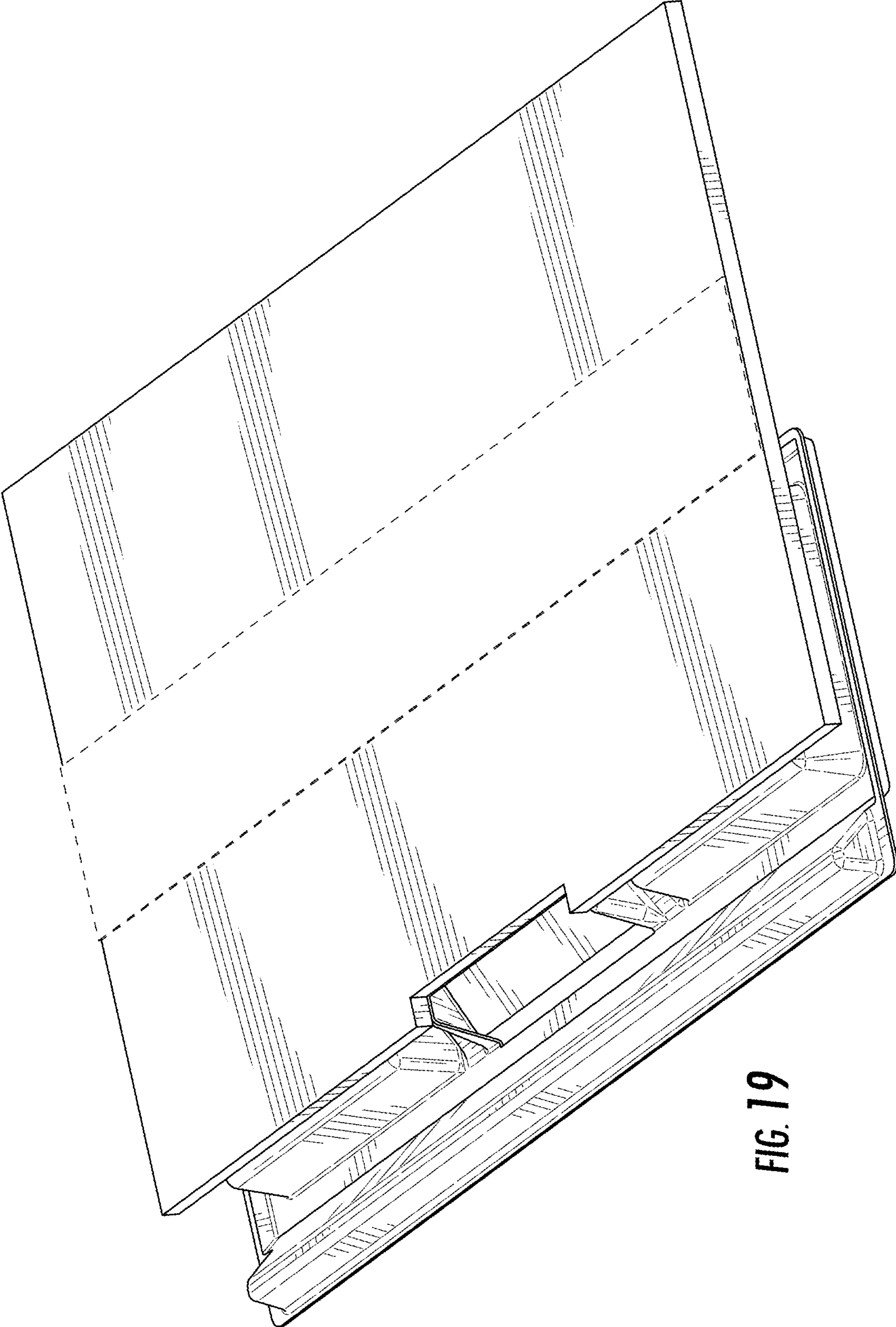


FIG. 19

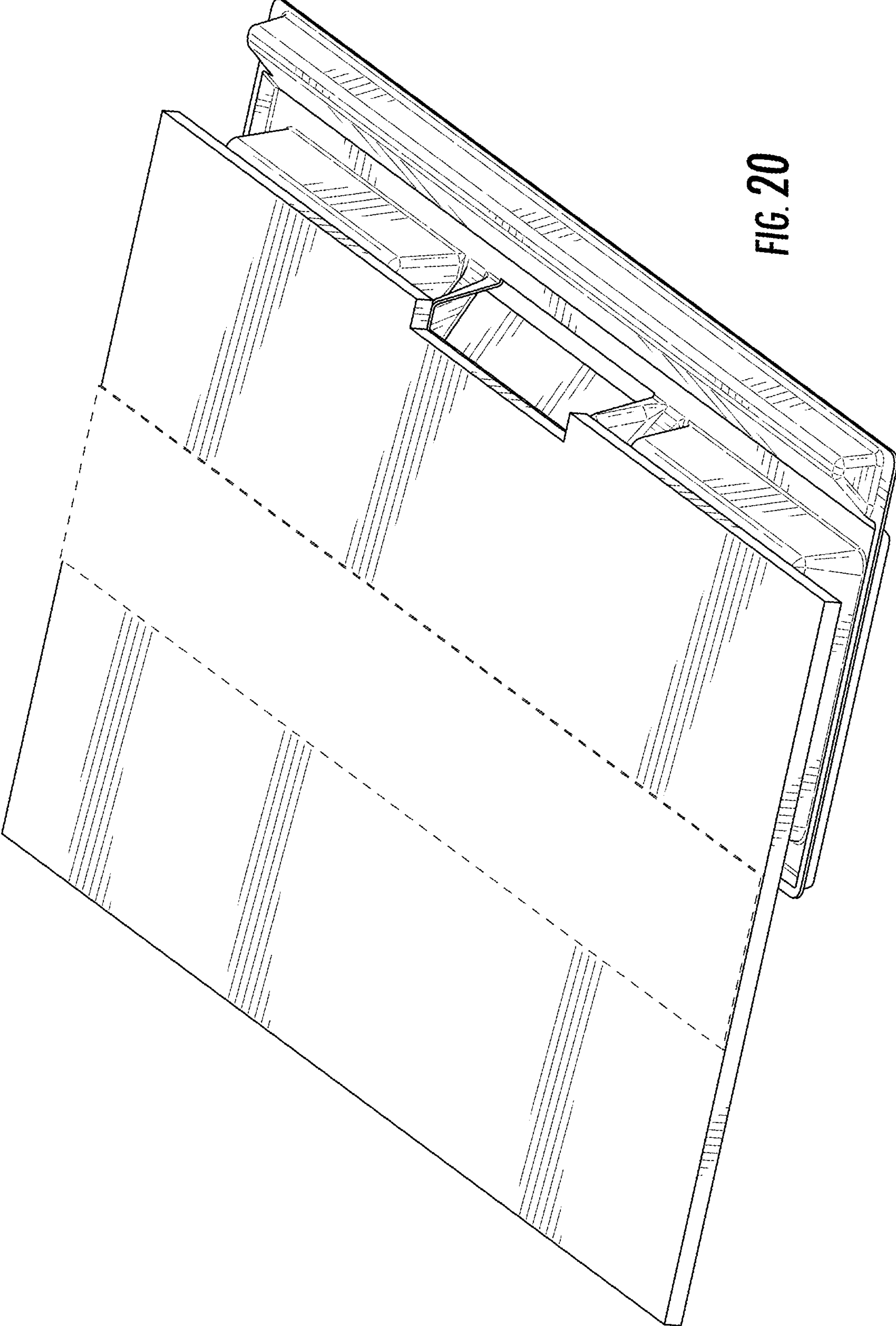


FIG. 20



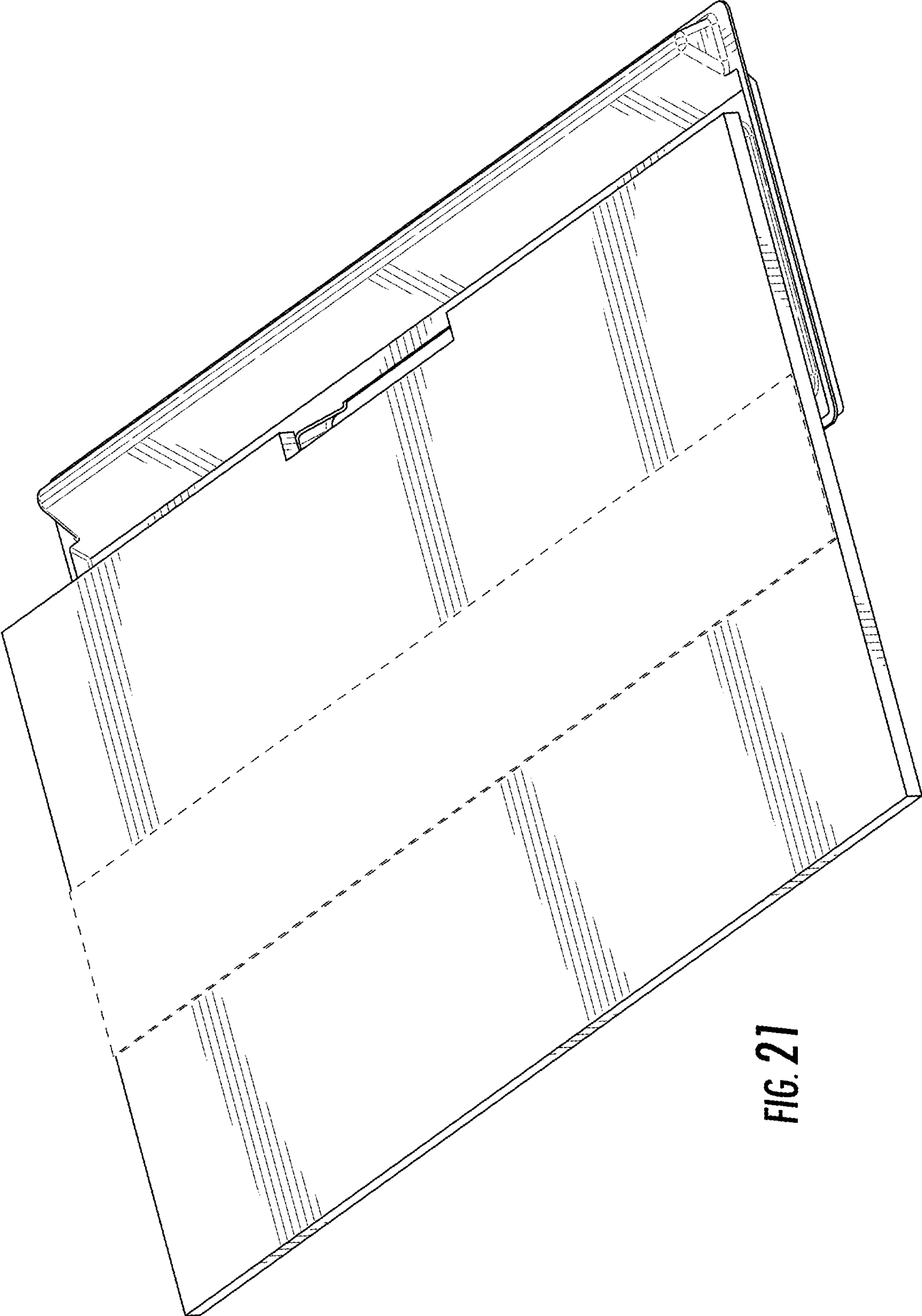


FIG. 21

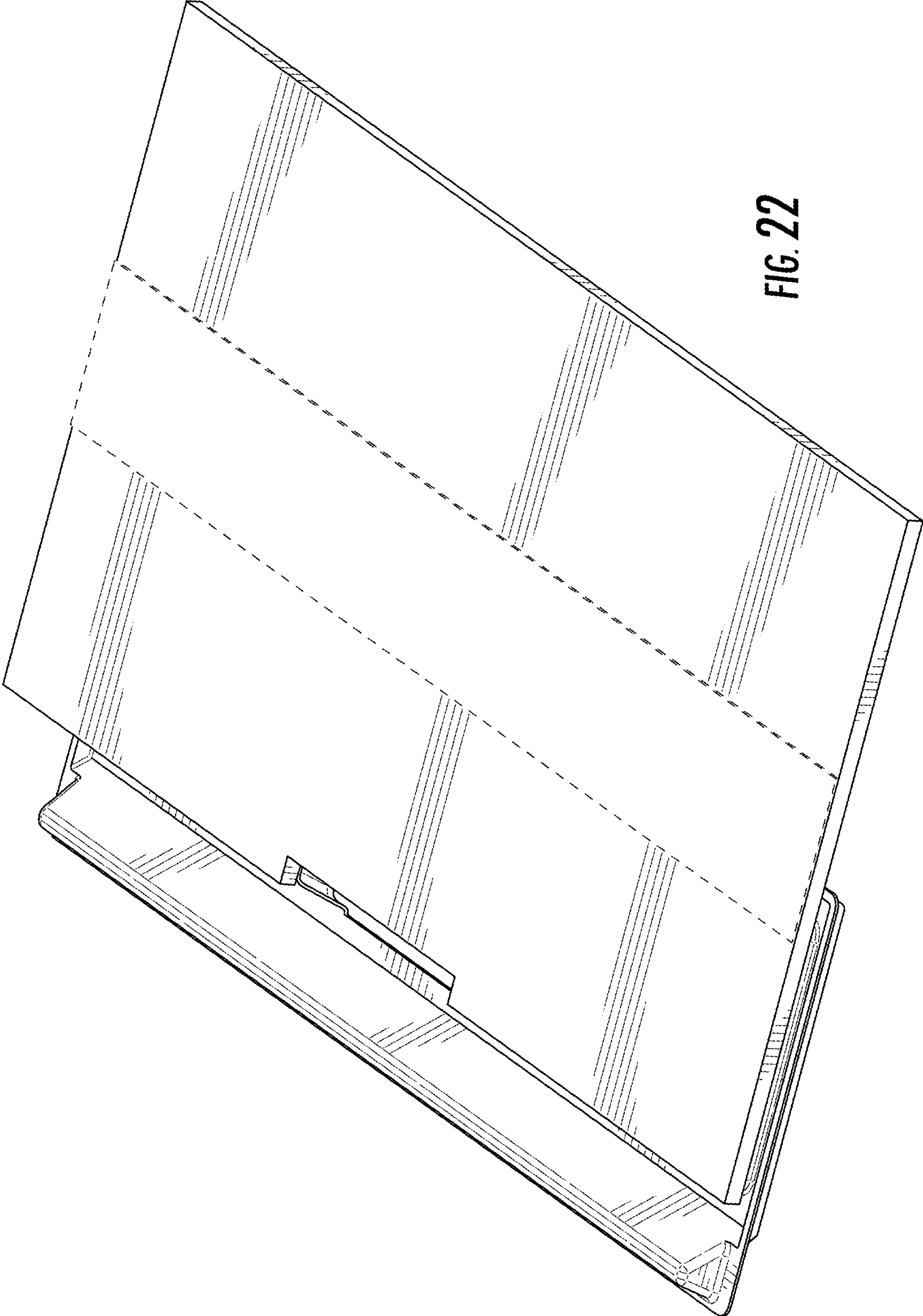


FIG. 22

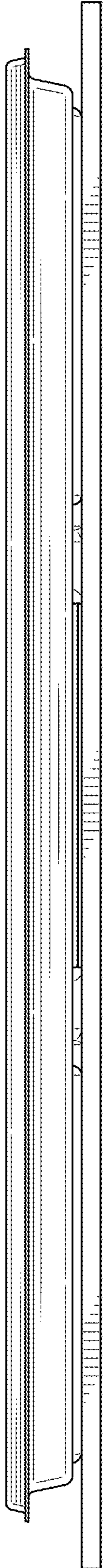


FIG. 23

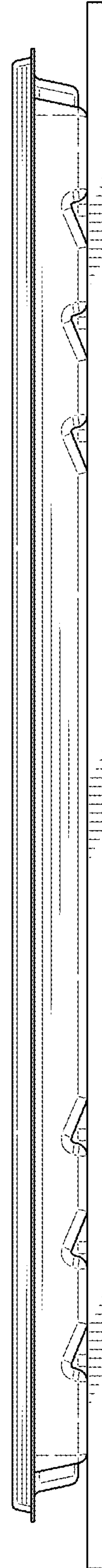


FIG. 24

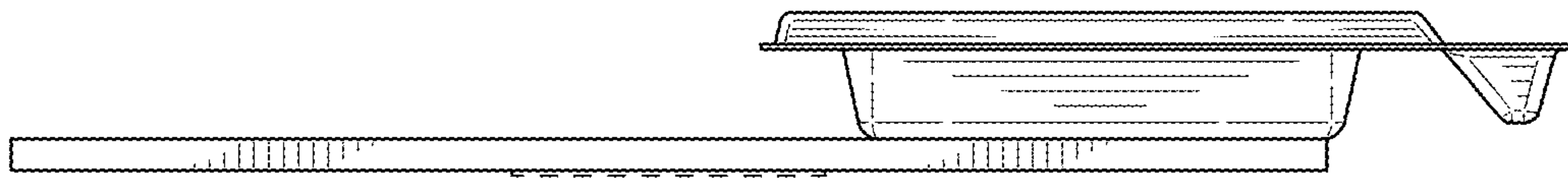


FIG. 25

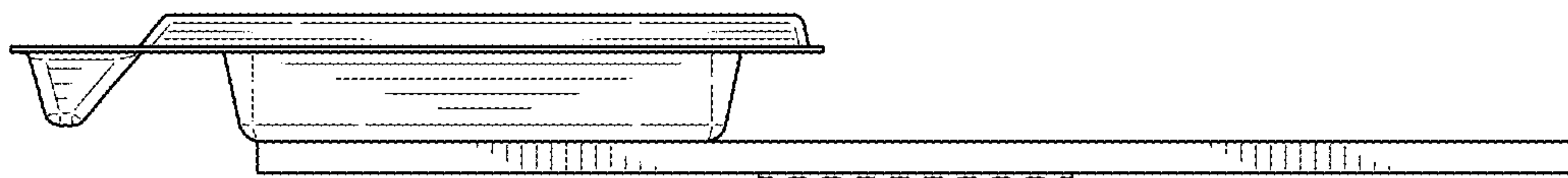


FIG. 26



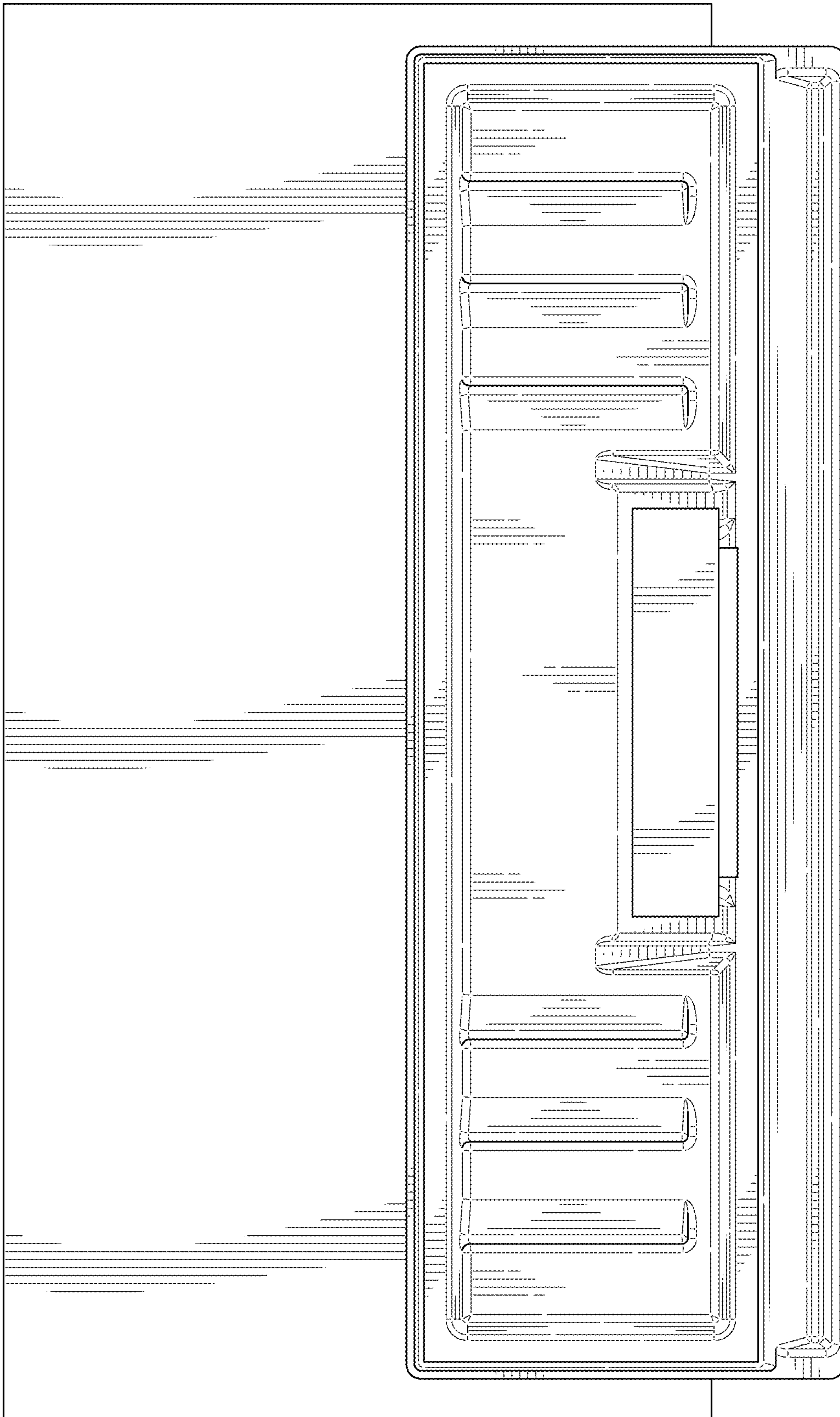


FIG. 27

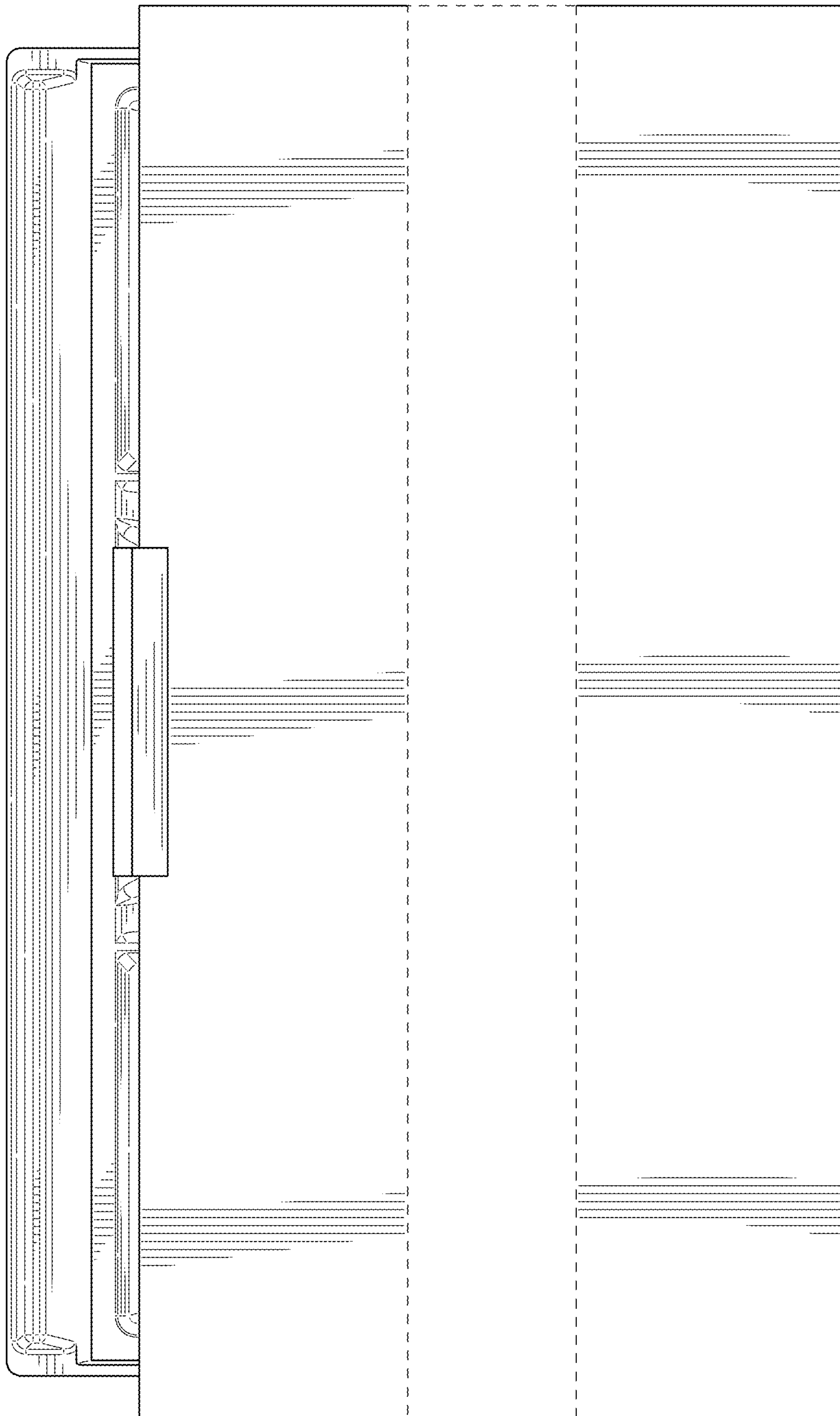


FIG. 28

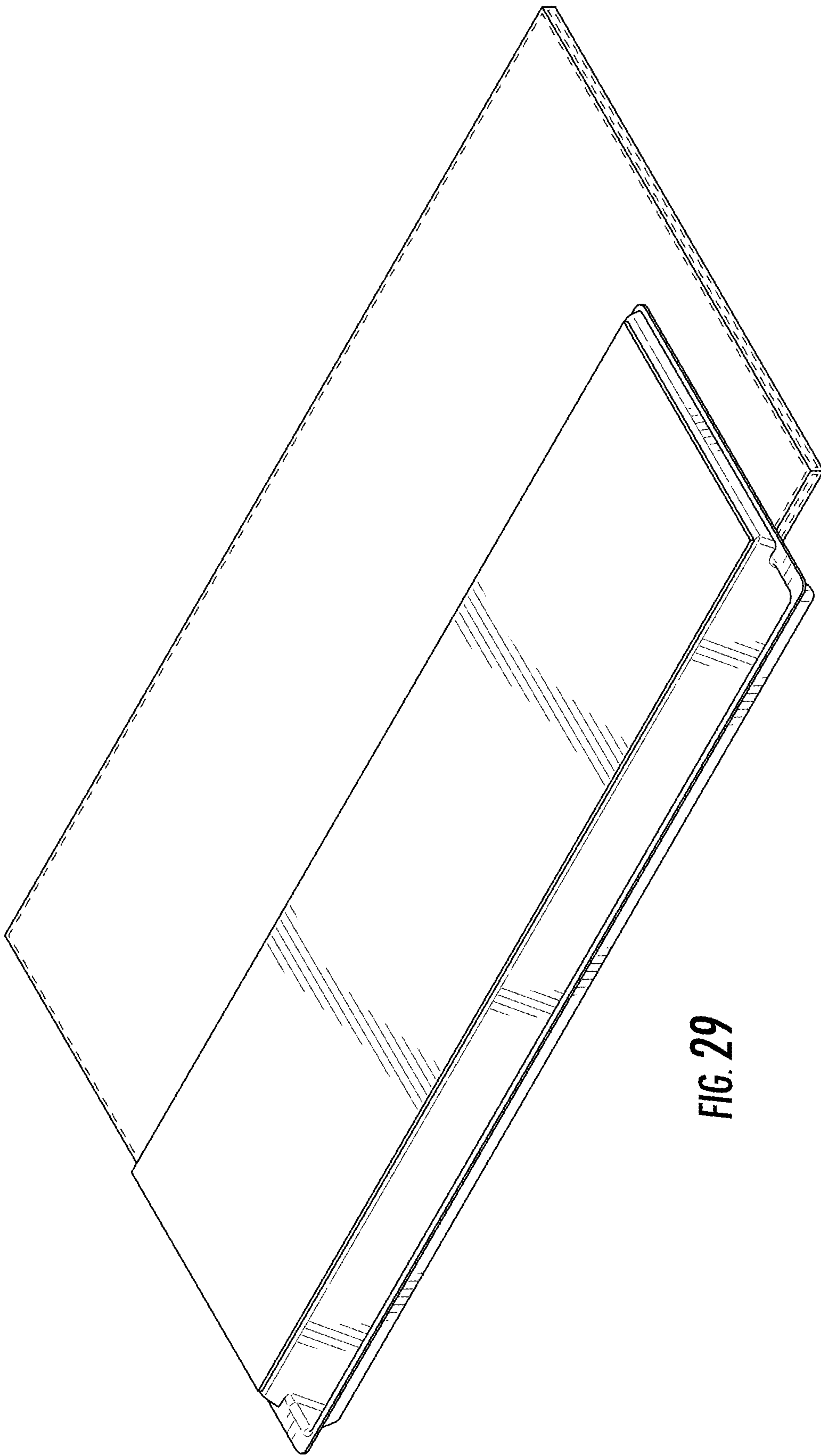


FIG. 29



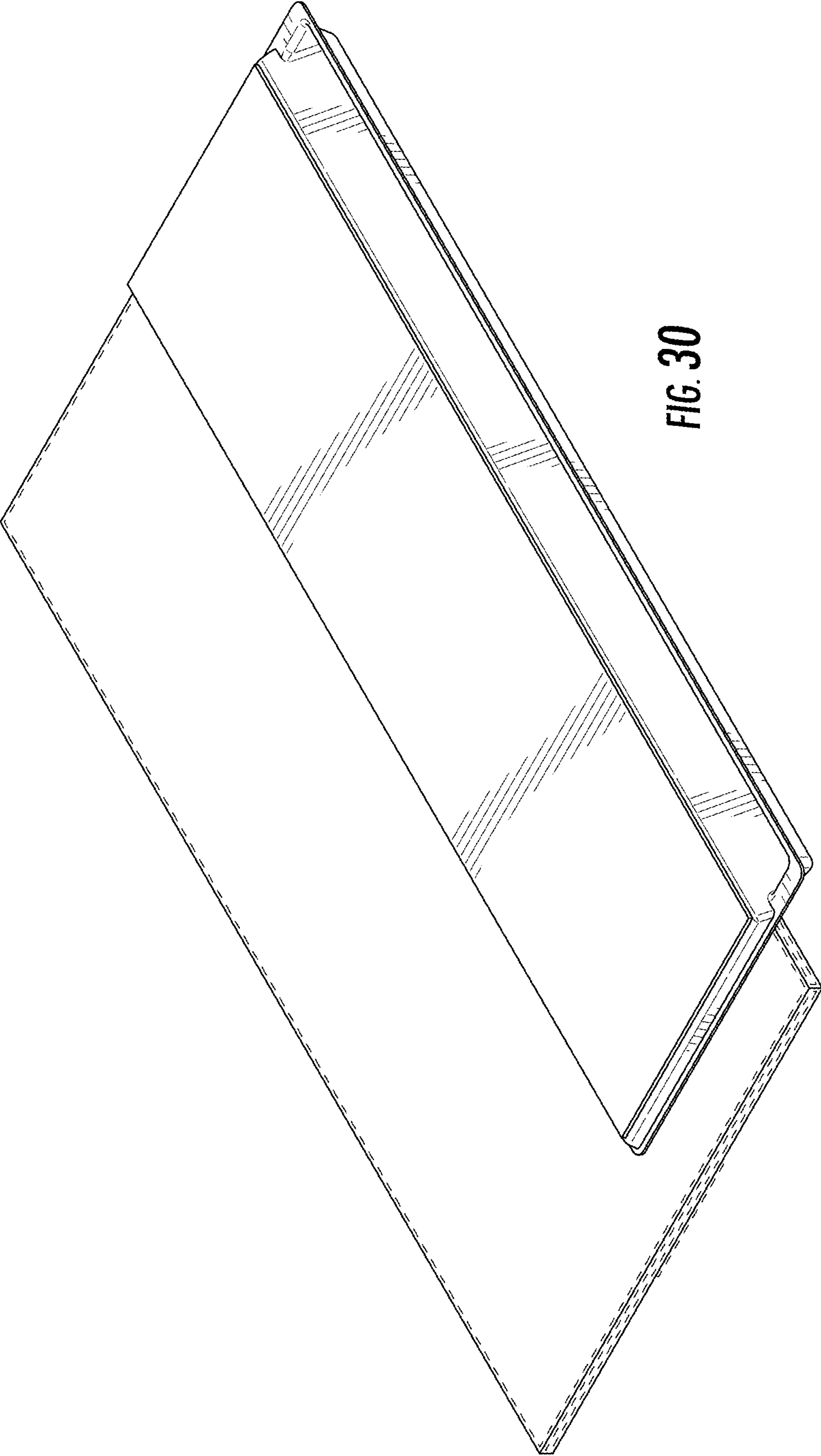


FIG. 30

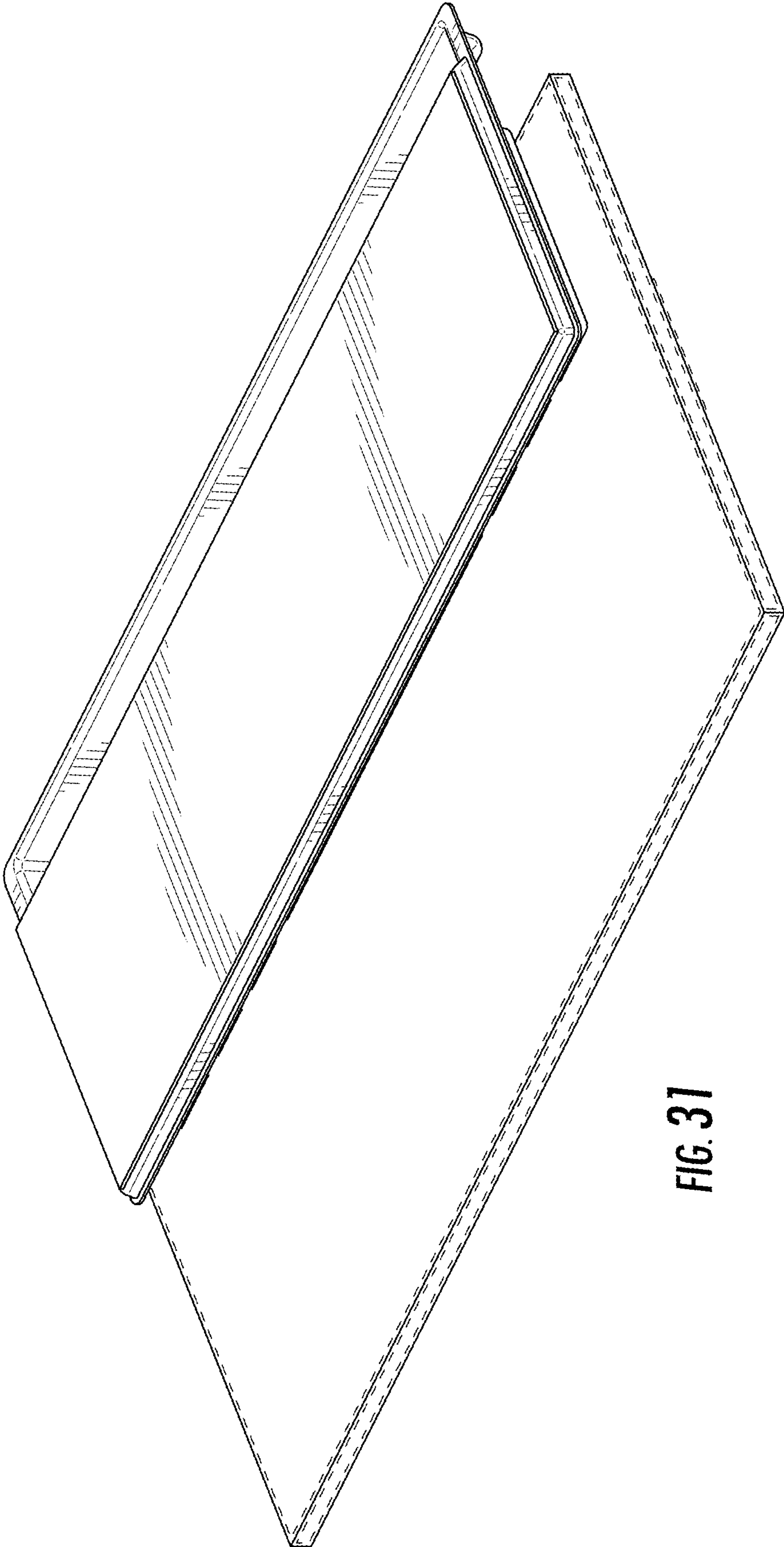


FIG. 31

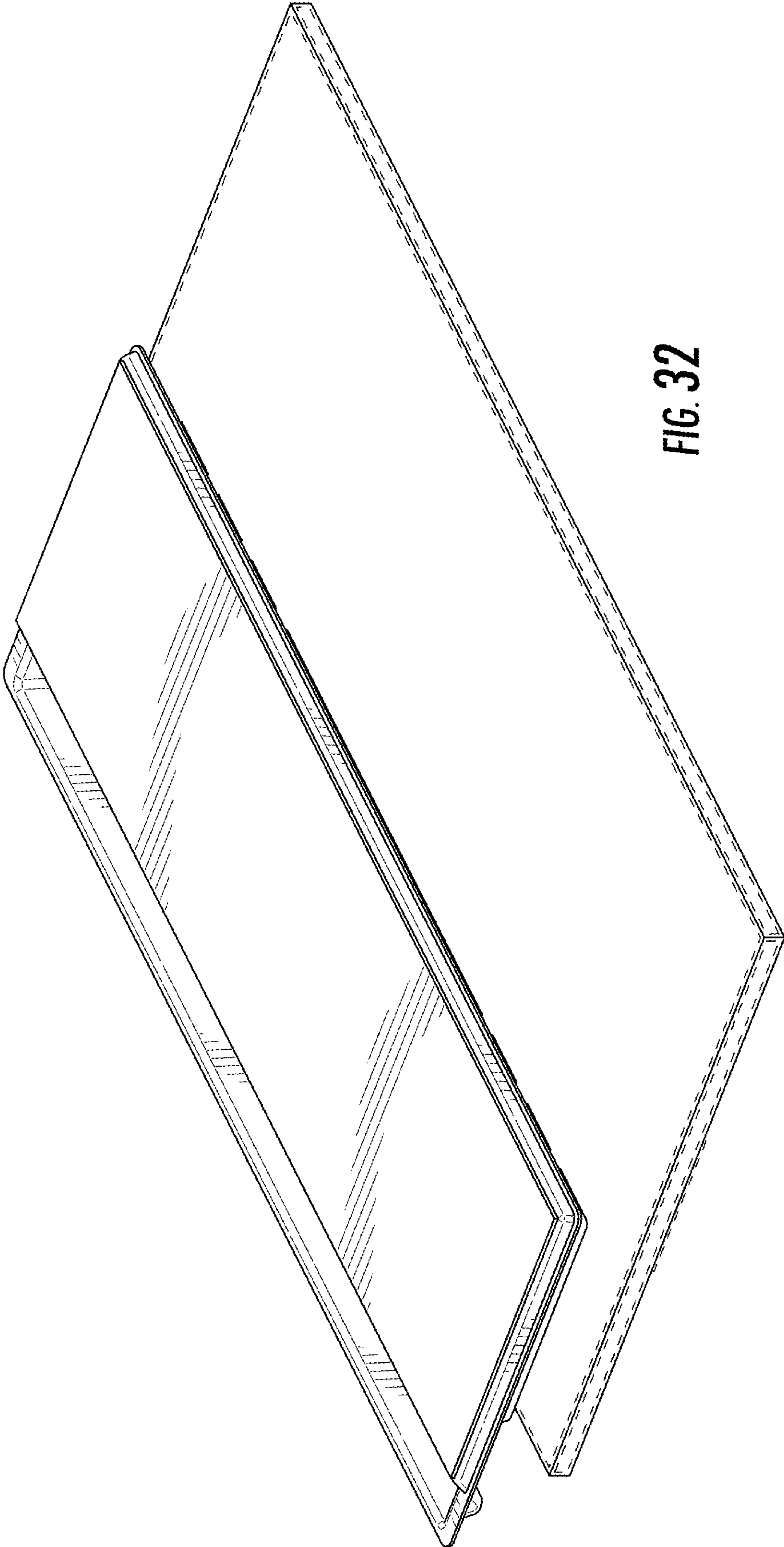


FIG. 32



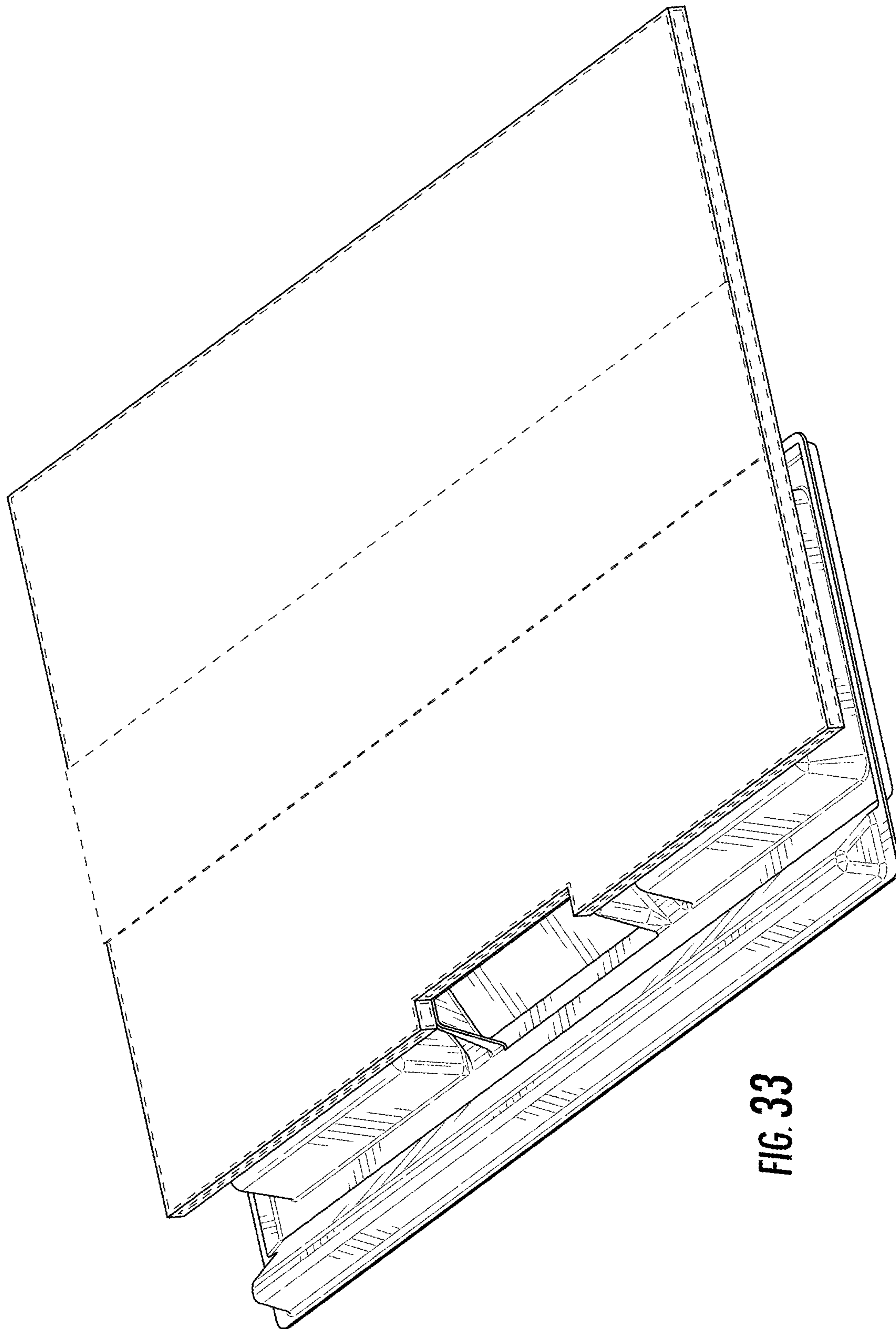


FIG. 33

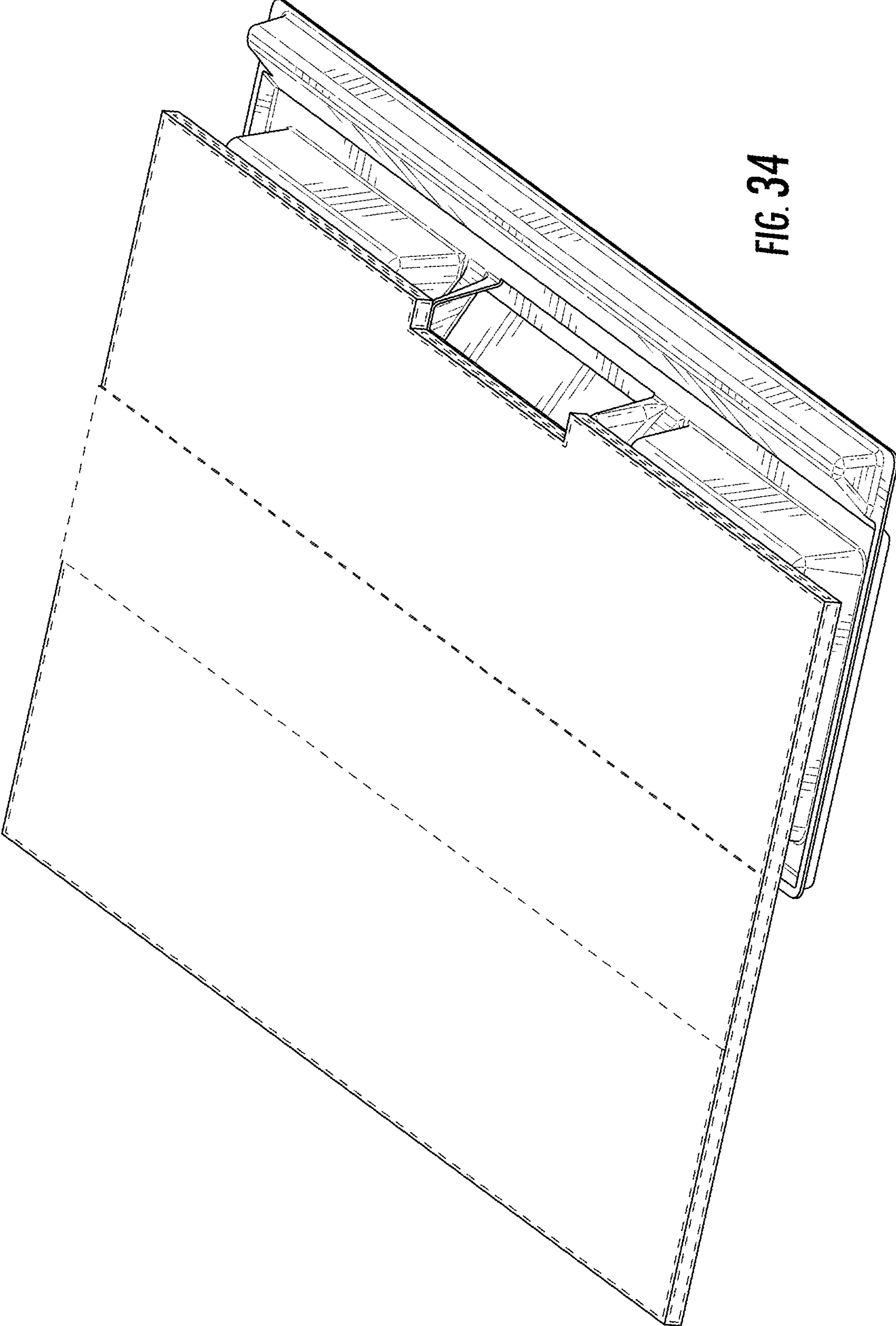


FIG. 34

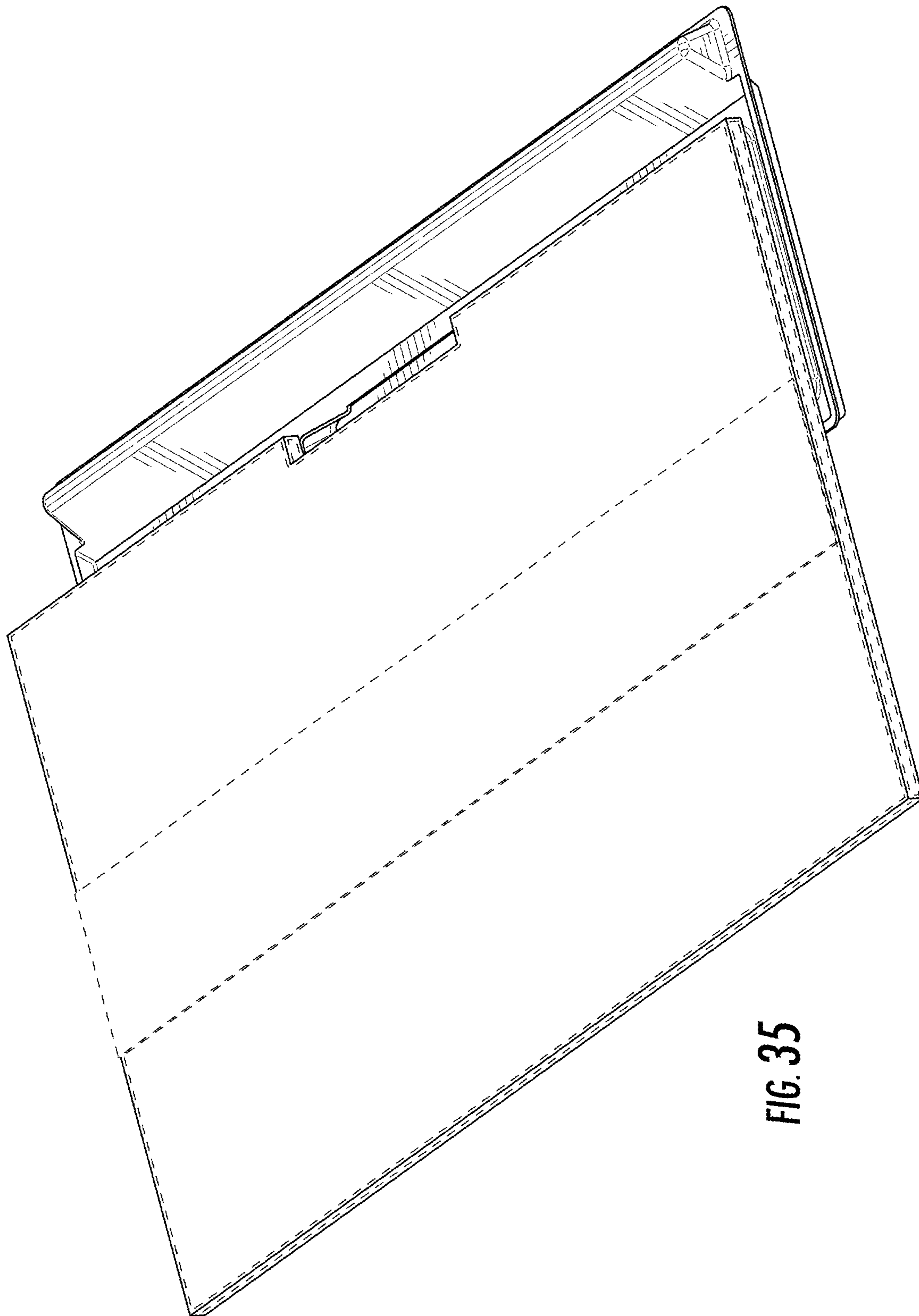


FIG. 35



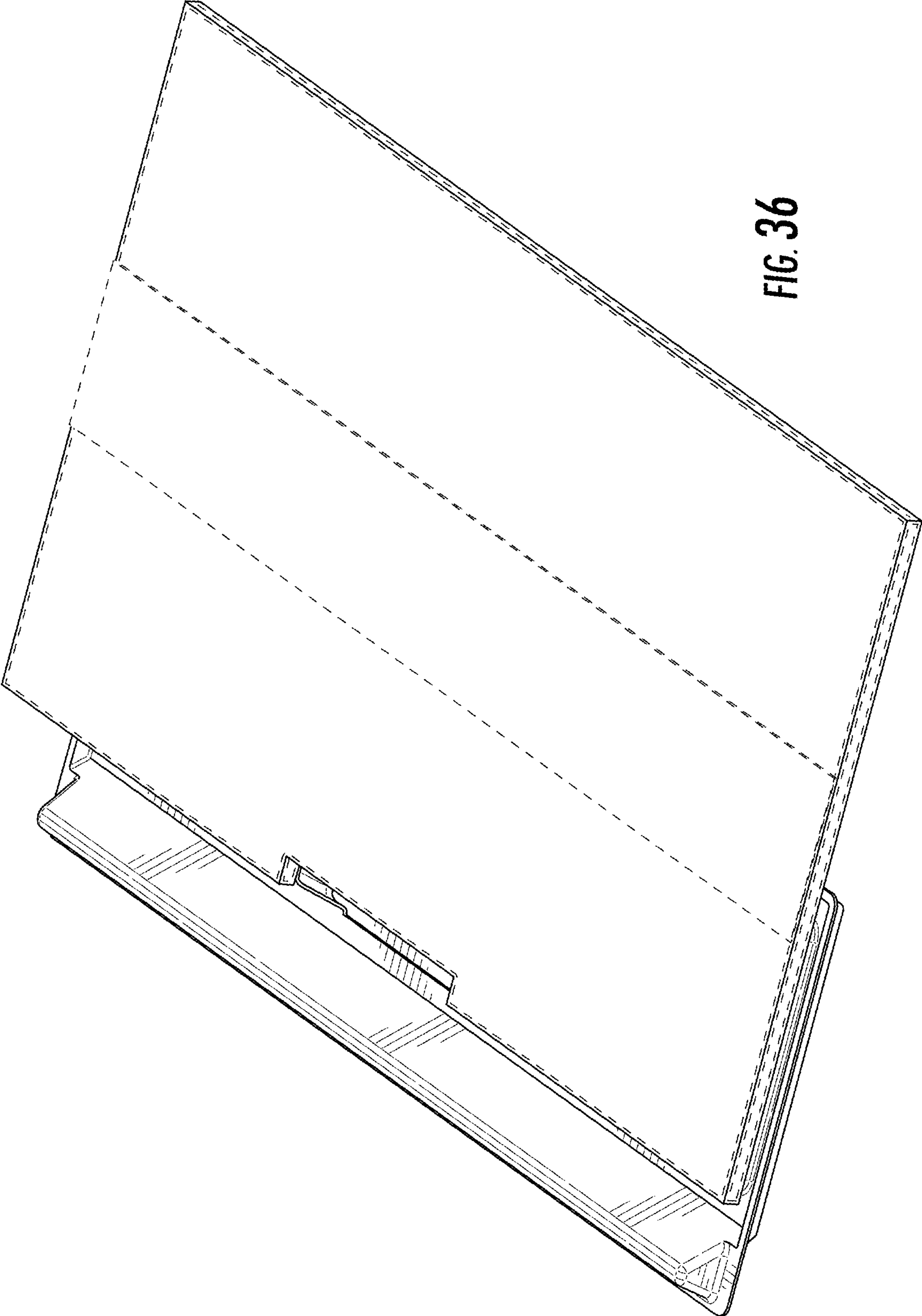


FIG. 36

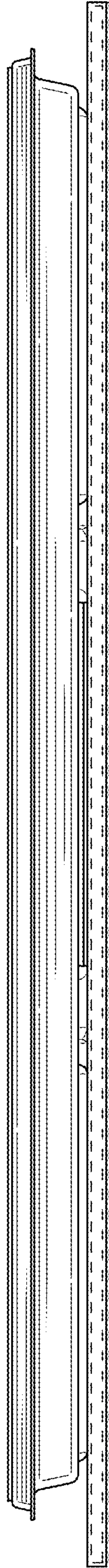


FIG. 37

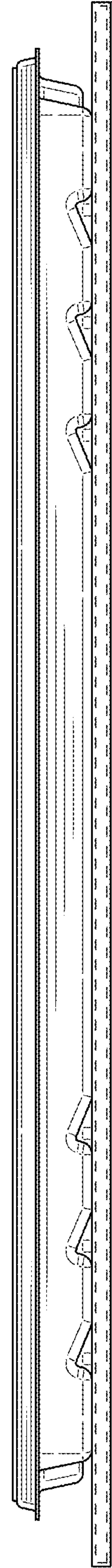
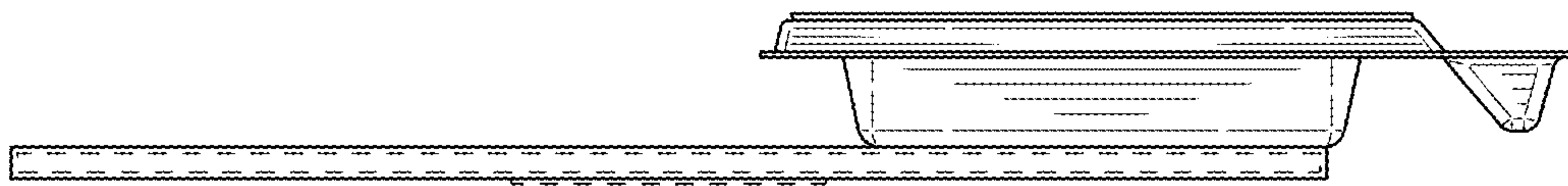
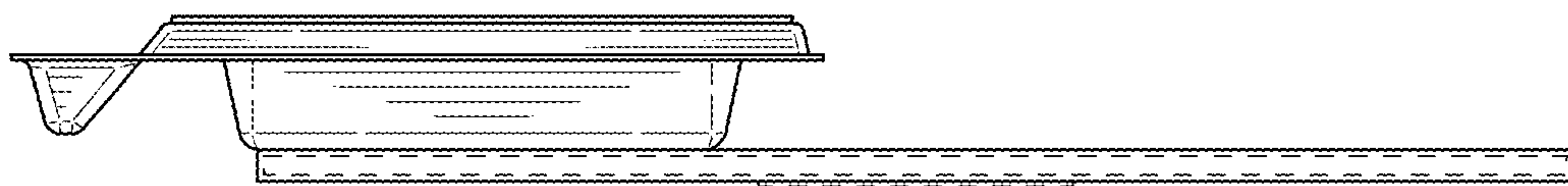


FIG. 38



**FIG. 39**



**FIG. 40**



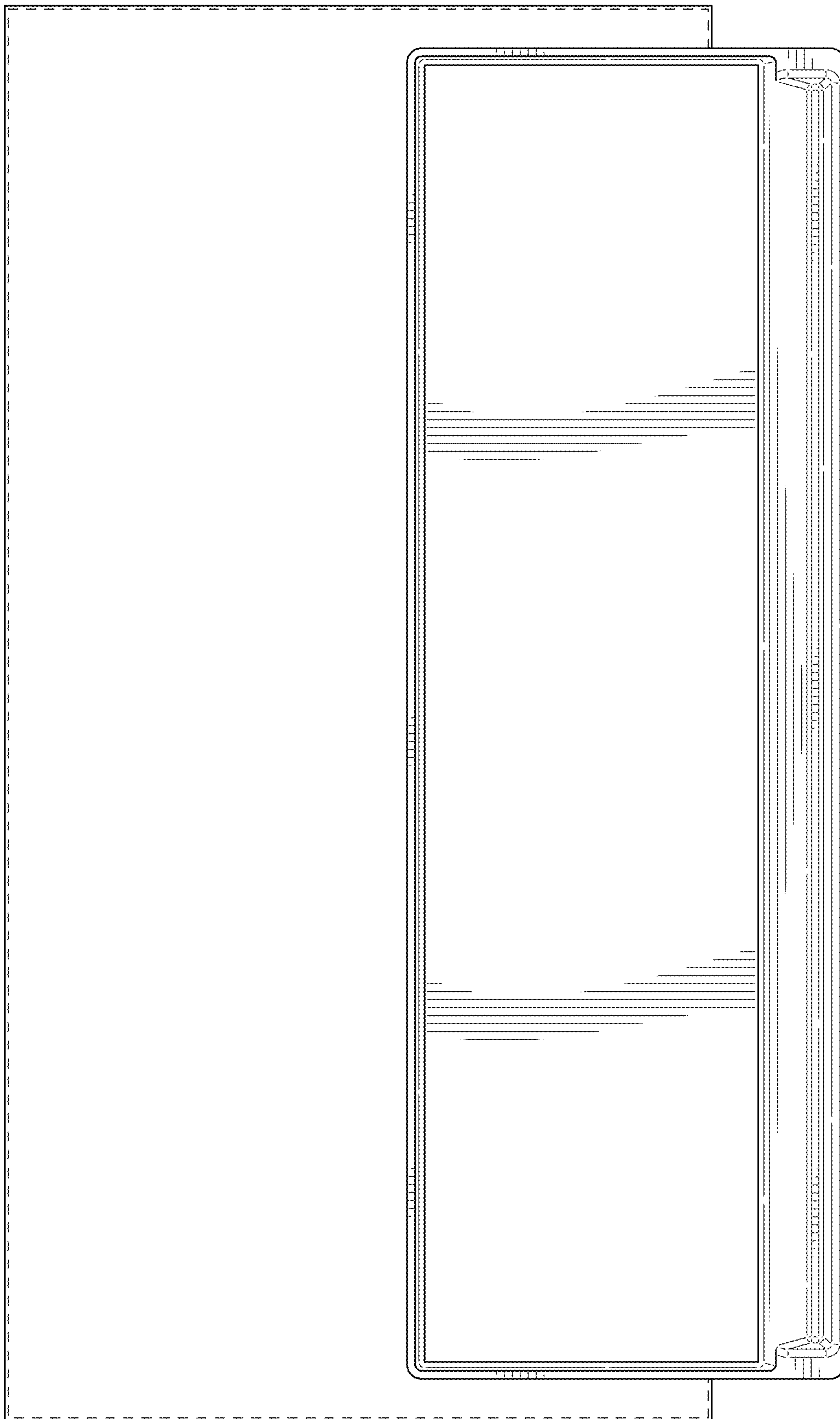


FIG. 41

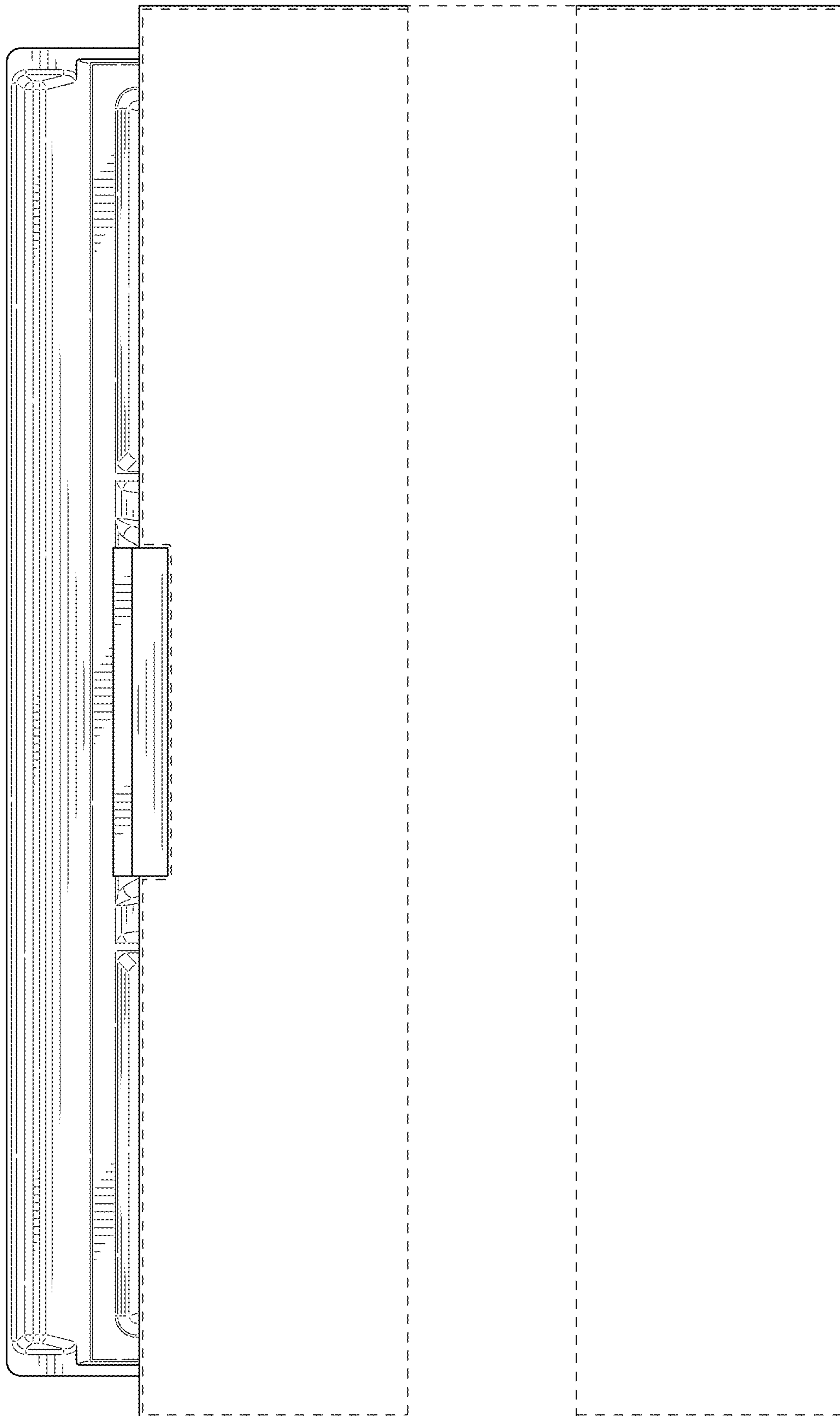


FIG. 42

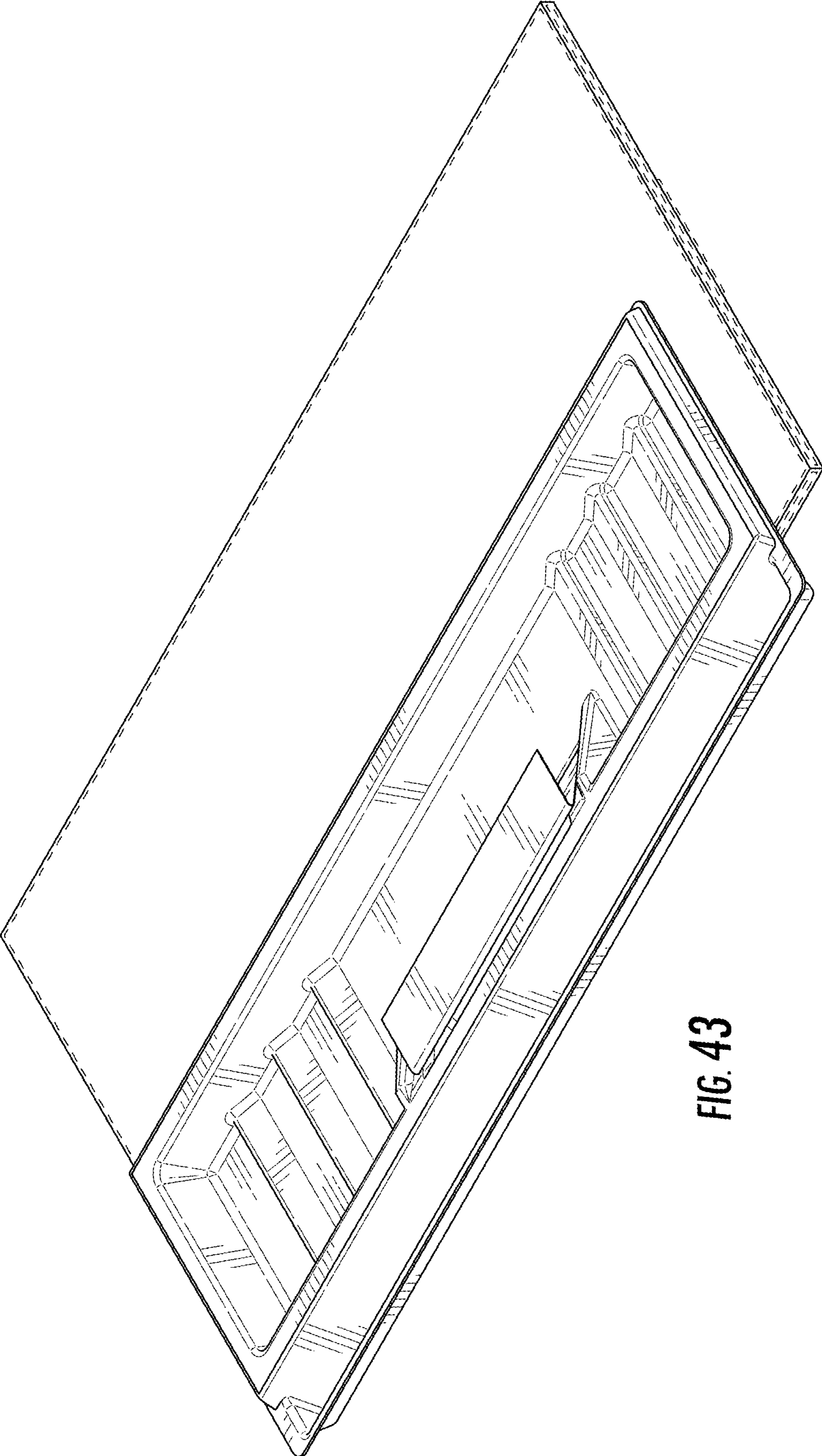


FIG. 43

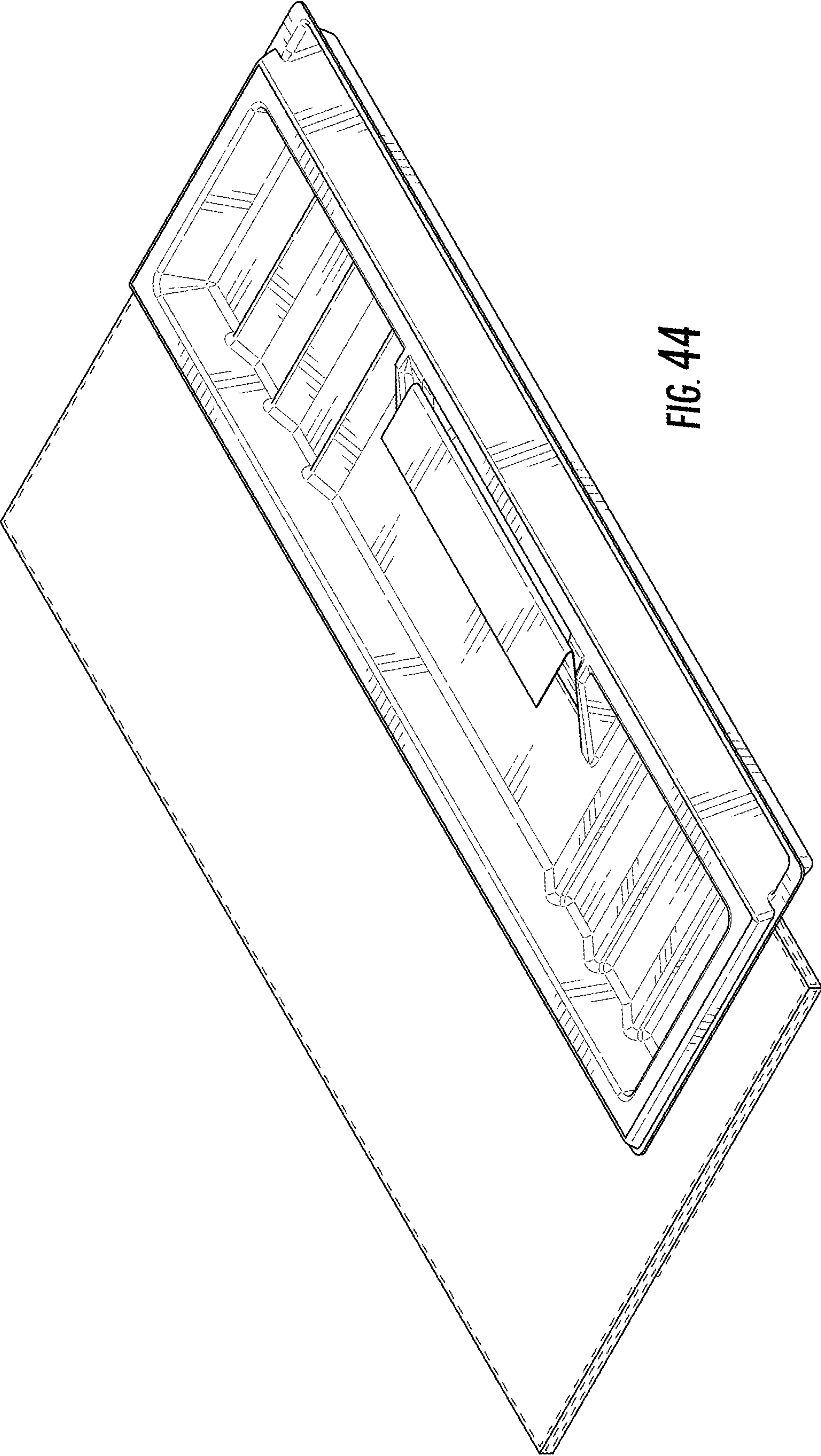


FIG. 44



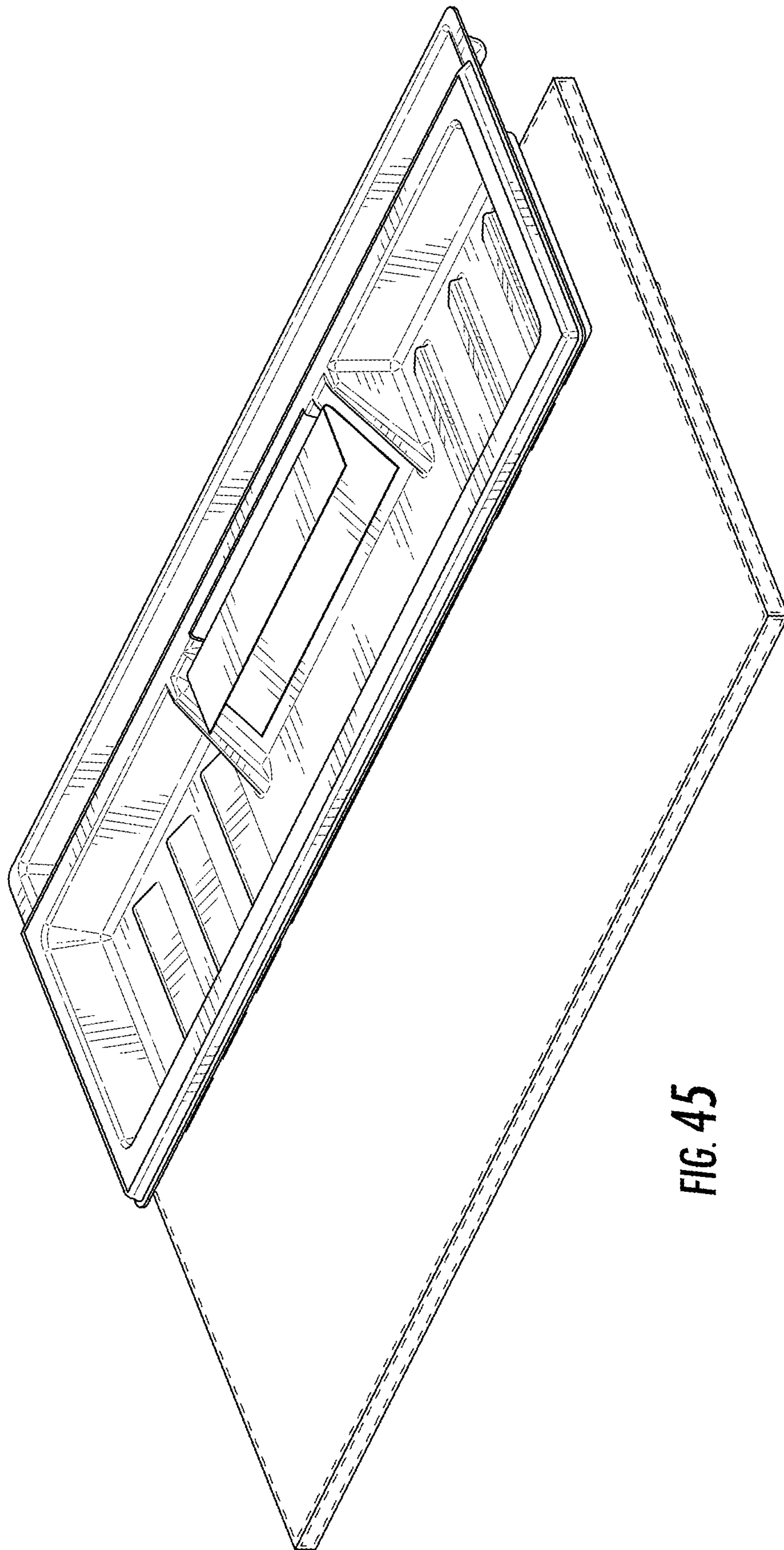


FIG. 45

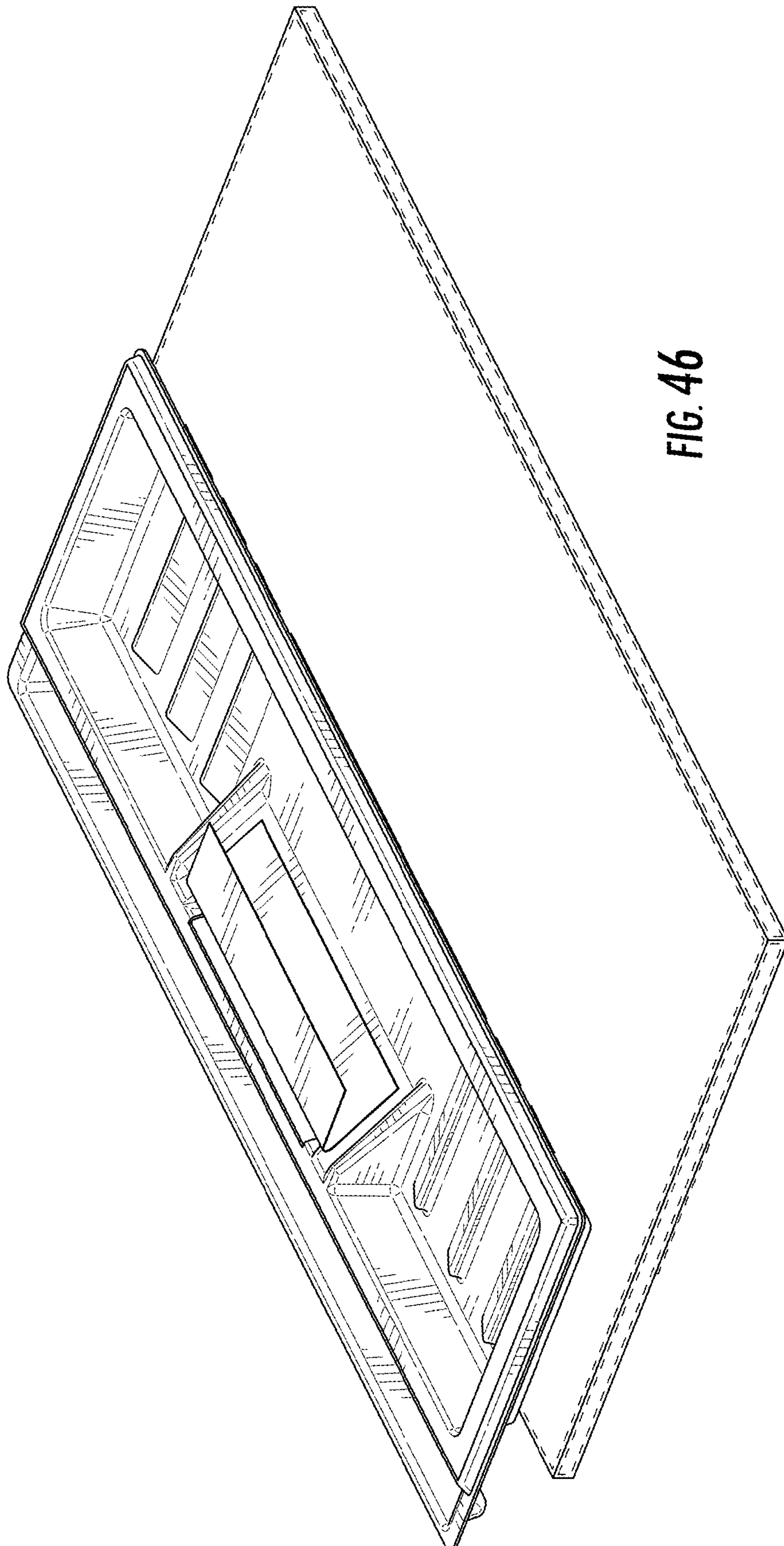


FIG. 46

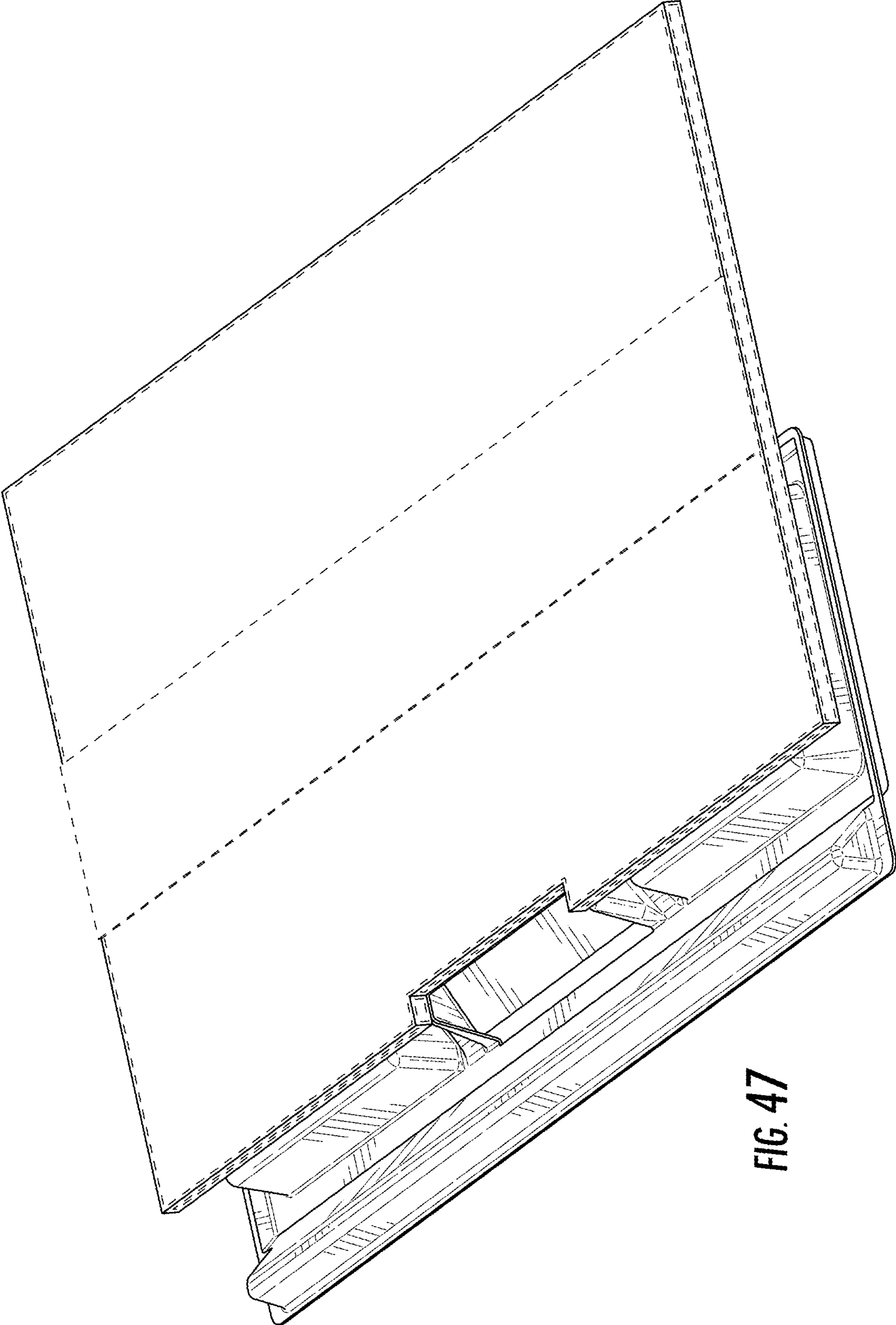


FIG. 47



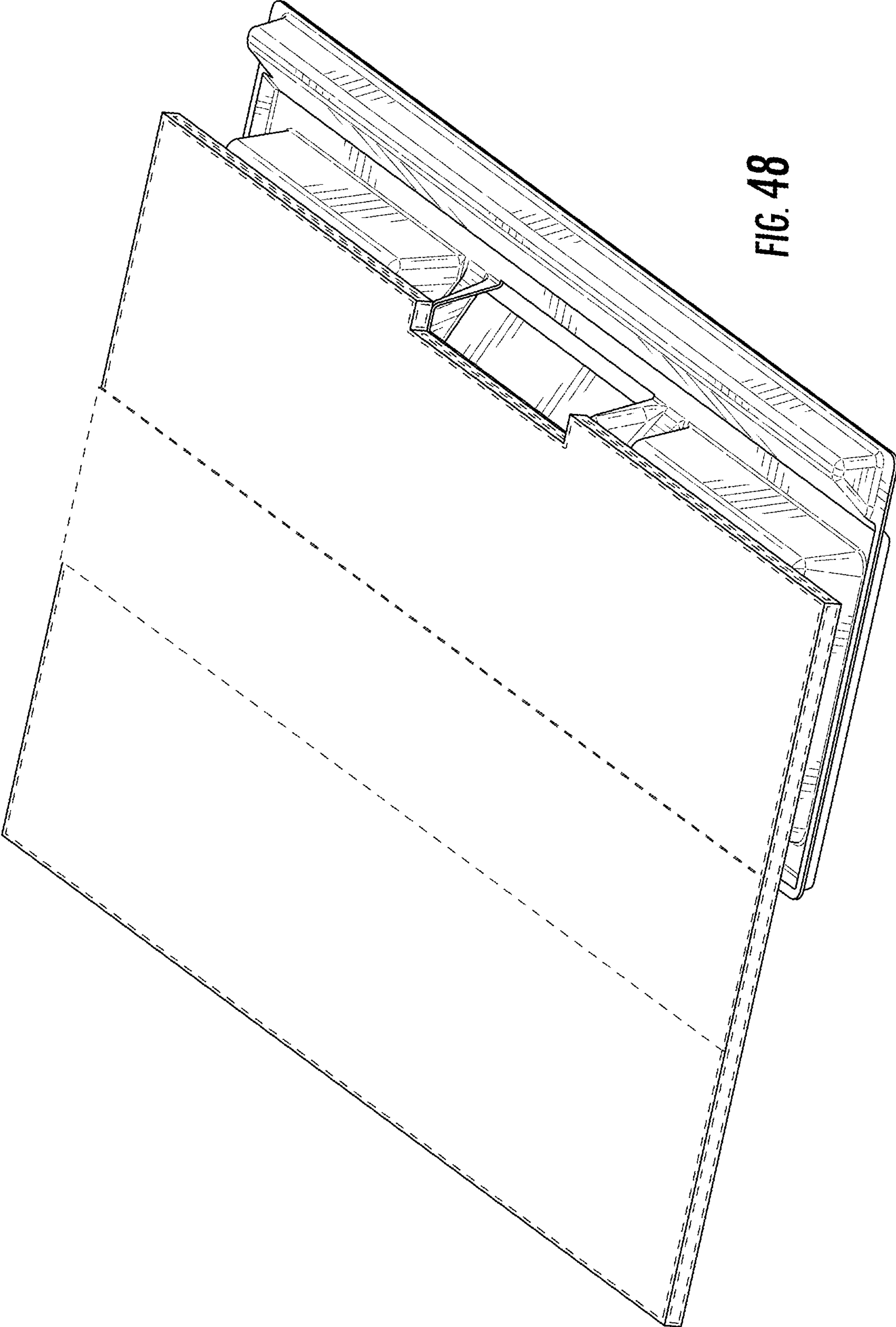


FIG. 48



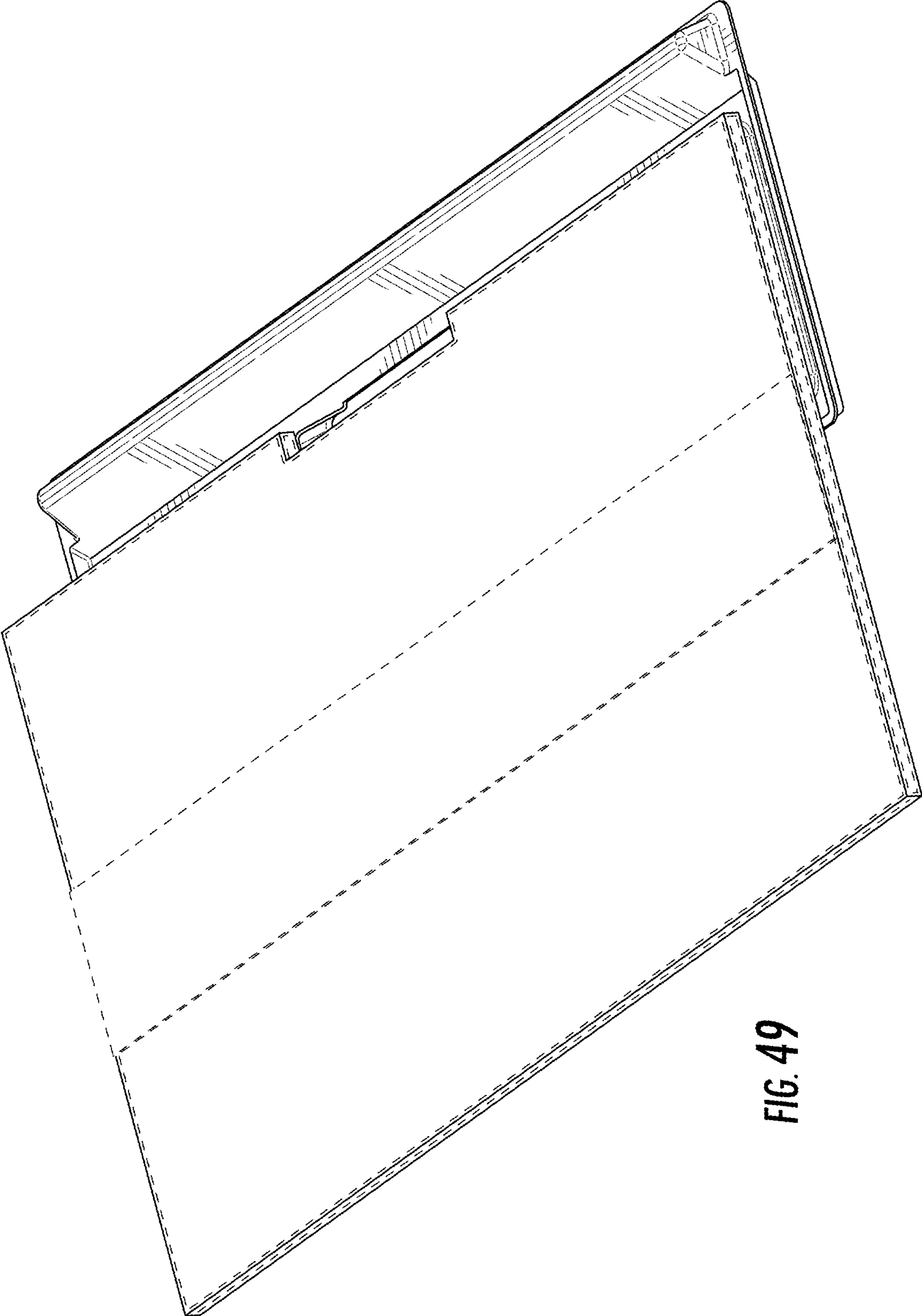


FIG. 49

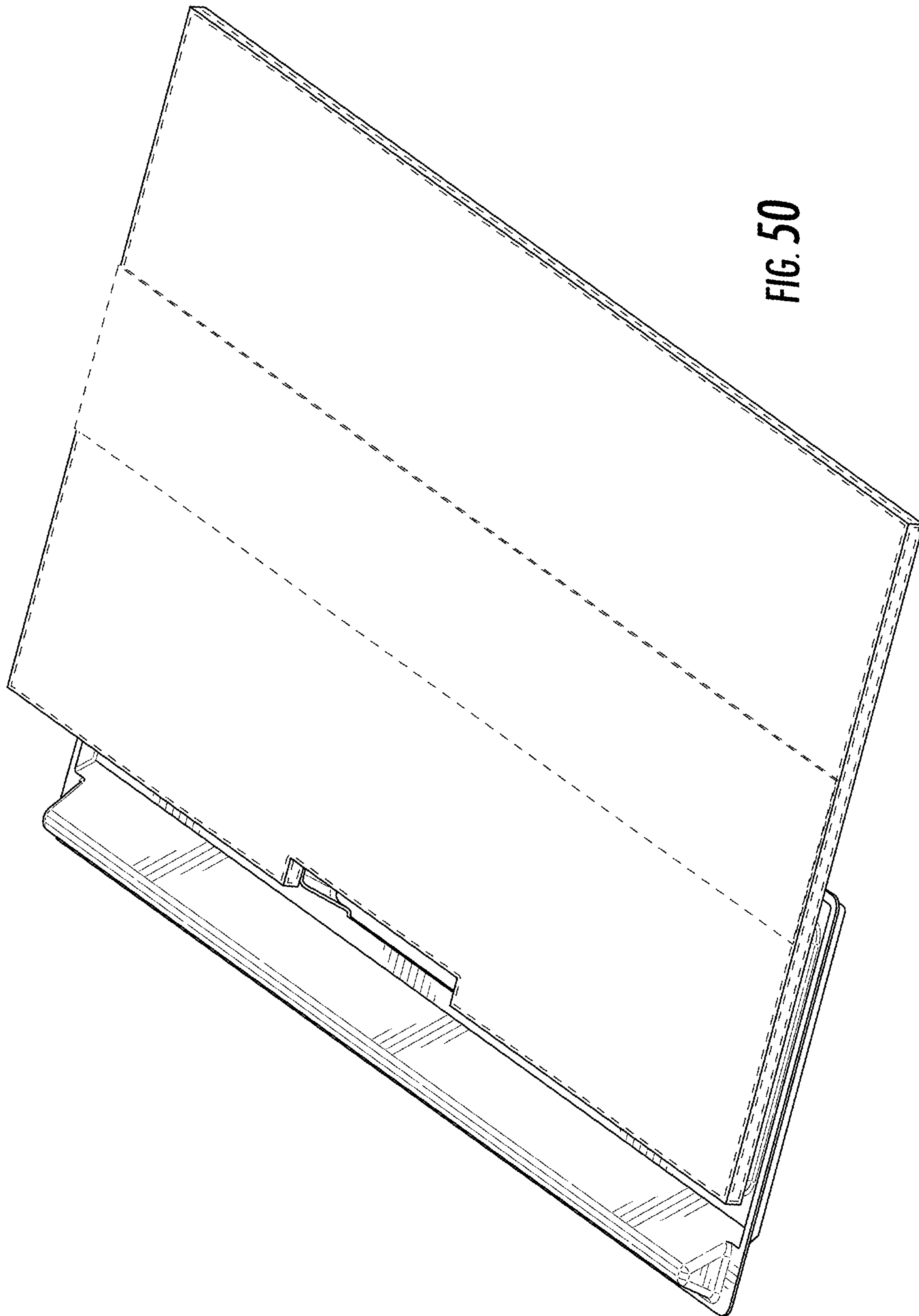


FIG. 50

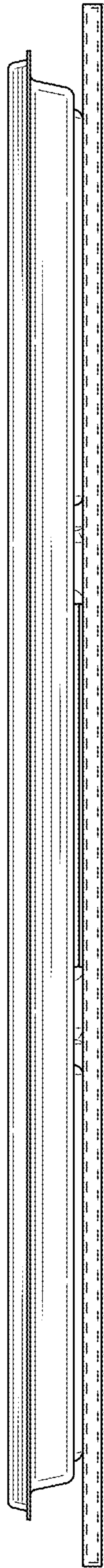


FIG. 51

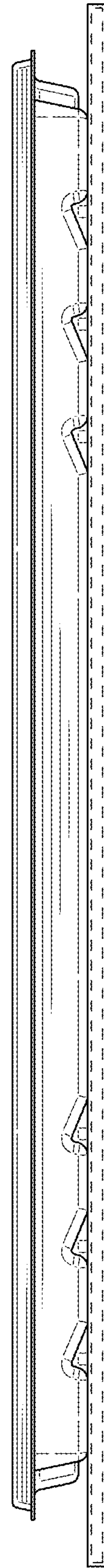
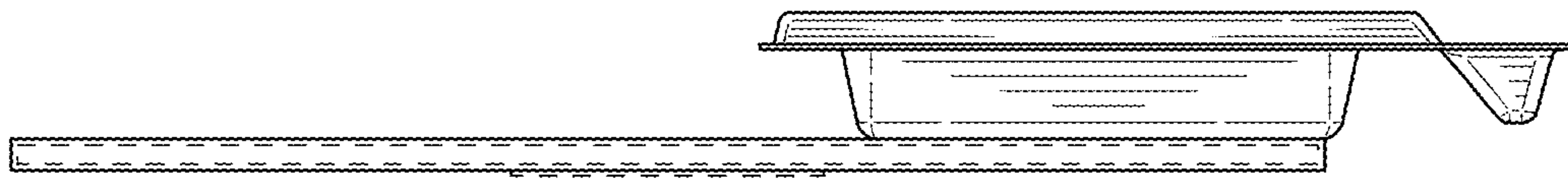
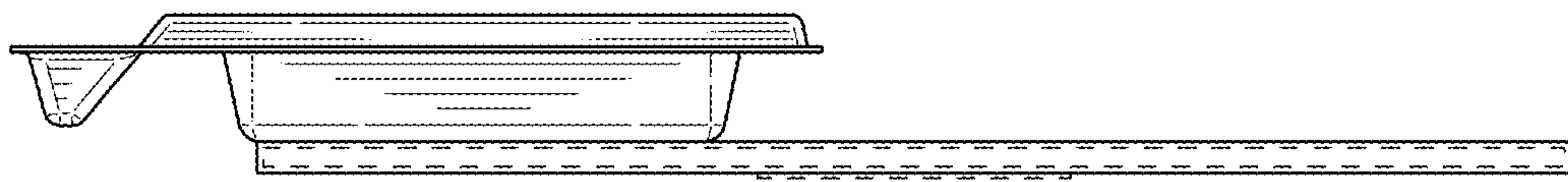


FIG. 52



**FIG. 53**



**FIG. 54**



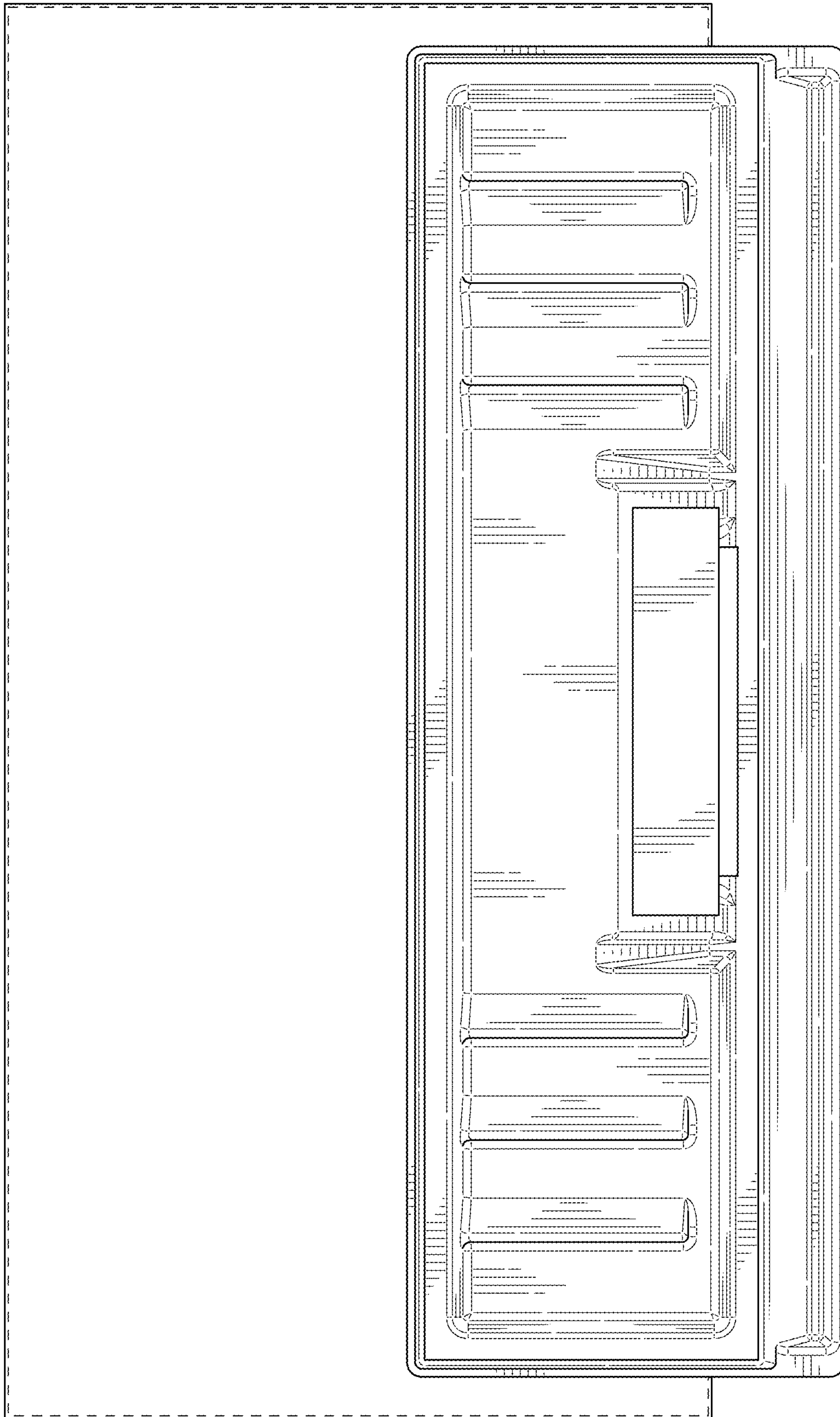


FIG. 55

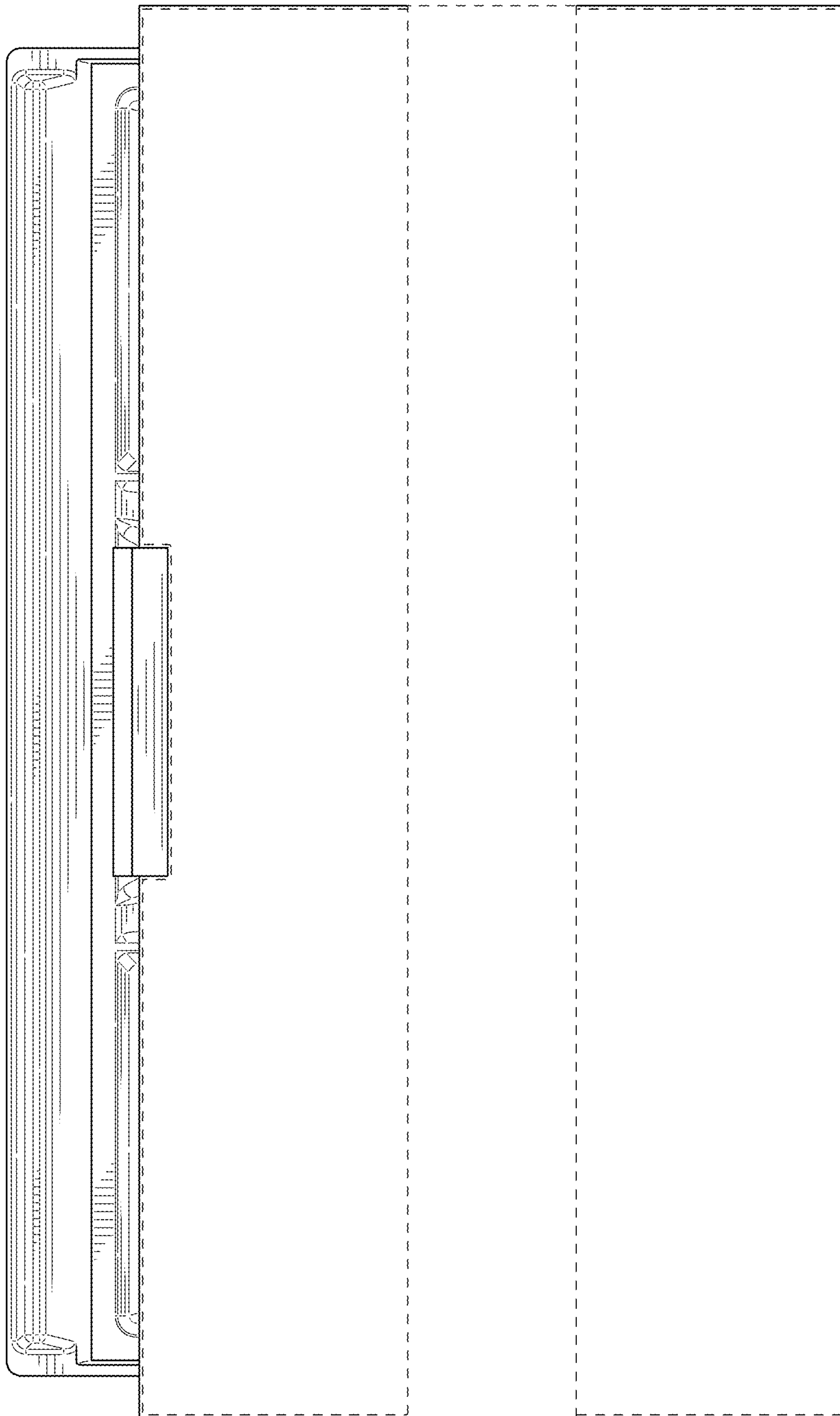


FIG. 56