



US00D913617S

(12) **United States Design Patent**  
**Santiago**

(10) **Patent No.:** **US D913,617 S**  
(45) **Date of Patent:** **\*\* Mar. 16, 2021**

(54) **GYM SHOE DRYER HOLDER**  
(71) Applicant: **Samuel Santiago**, Chicago, IL (US)  
(72) Inventor: **Samuel Santiago**, Chicago, IL (US)  
(\*\*) Term: **15 Years**

D496,502 S \* 9/2004 Cheng ..... D32/1  
D519,255 S \* 4/2006 Peet ..... D32/59  
9,635,998 B2 \* 5/2017 Dowell ..... A47L 23/20  
D825,128 S \* 8/2018 Nolen, Sr. .... D32/58  
10,238,268 B2 \* 3/2019 Nurlybekov ..... A47L 23/205  
2004/0010931 A1 \* 1/2004 Nalgotov ..... A47L 23/205

(21) Appl. No.: **29/654,354**  
(22) Filed: **Jun. 22, 2018**

**FOREIGN PATENT DOCUMENTS**

CN 304687835 \* 6/2018  
CN 304965205 \* 12/2018

(51) **LOC (13) Cl.** ..... **07-05**

**OTHER PUBLICATIONS**

(52) **U.S. Cl.**  
USPC ..... **D32/35**

Use the Drying Rack in Your Dryer, Samsung website 2020, <https://www.samsung.com/us/support/answer/ANS00050804/>, site visited Mar. 28, 2020.\*

(58) **Field of Classification Search**  
USPC ..... D32/1, 14.1, 30, 35-37, 47, 58-59  
CPC .. A61L 2/10; A47L 25/00; A47L 23/20; B01J 19/08; G01N 21/00; G01J 3/10; D06F 58/04  
See application file for complete search history.

\* cited by examiner

*Primary Examiner* — John R Yeh

(56) **References Cited**

(57) **CLAIM**

**U.S. PATENT DOCUMENTS**

The ornamental design for a gym shoe dryer holder, as shown and described.

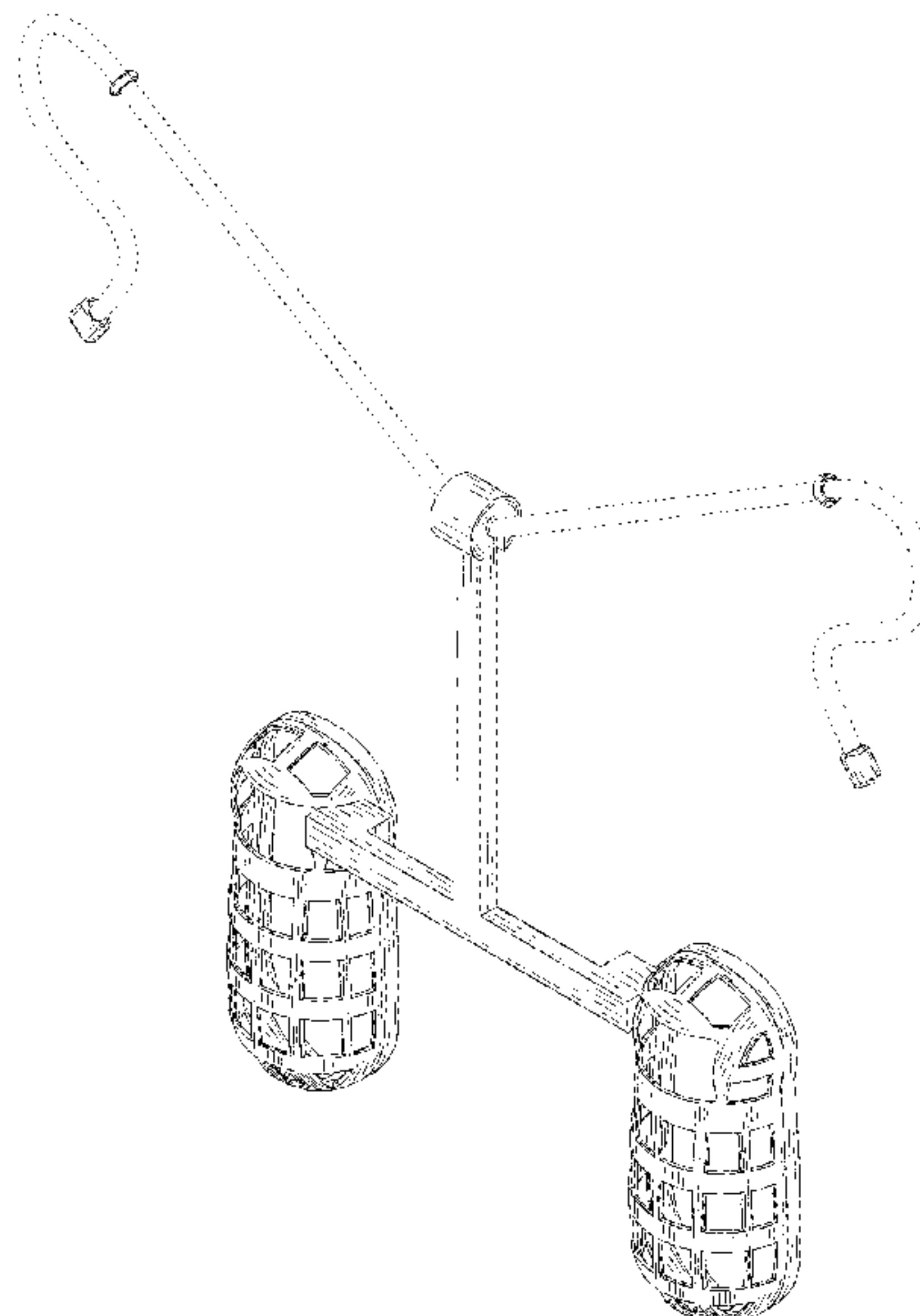
1,493,294 A \* 5/1924 Timberlake ..... D06F 59/06  
1,568,998 A \* 1/1926 Bruce ..... A47L 23/20  
211/35  
D116,801 S \* 9/1939 Freilich ..... D20/32  
2,453,183 A \* 11/1948 Sidney ..... D06F 59/06  
D213,467 S \* 3/1969 Puckett ..... D32/1  
D218,847 S \* 9/1970 Specht ..... D32/59  
D221,798 S \* 9/1971 Merritt ..... D32/59  
D229,019 S \* 11/1973 Slany ..... D32/58  
D310,742 S \* 9/1990 Johnson ..... D32/58  
D349,788 S \* 8/1994 Laferriere ..... D32/1  
D350,633 S \* 9/1994 Wong ..... D32/59  
5,398,428 A \* 3/1995 Wallace ..... D06F 58/04  
D368,562 S \* 4/1996 Sterling ..... D32/59  
5,692,316 A \* 12/1997 Antal ..... A47L 23/205  
34/106  
D412,231 S \* 7/1999 Williams ..... D32/58  
6,374,509 B1 \* 4/2002 Jackson, Sr. .... D06F 58/04  
6,591,517 B1 \* 7/2003 Moore ..... A47L 23/20  
34/104

**DESCRIPTION**

FIG. 1 is a top right perspective view of a gym shoe dryer holder showing my new design;  
FIG. 2 is a top left perspective view thereof;  
FIG. 3 is a bottom left perspective view thereof;  
FIG. 4 is a front view thereof;  
FIG. 5 is a back view thereof;  
FIG. 6 is a top view thereof;  
FIG. 7 is a bottom view thereof;  
FIG. 8 is a left view thereof; and,  
FIG. 9 is a right view thereof.

The broken line showing of the cord in FIG. 1-9 is included for the purpose of showing environmental structure and forms no part of the claimed design.

**1 Claim, 9 Drawing Sheets**



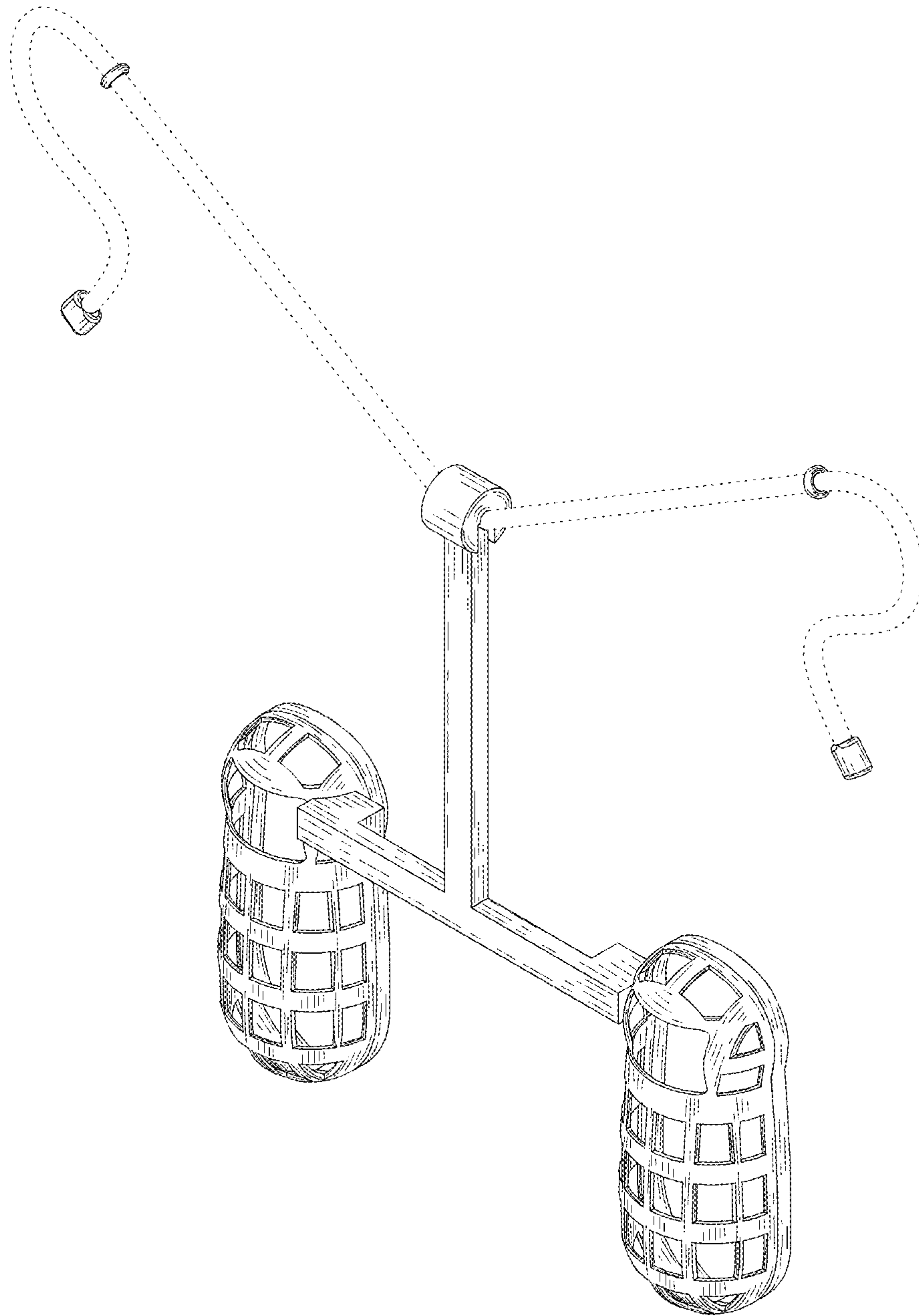


FIG. 1

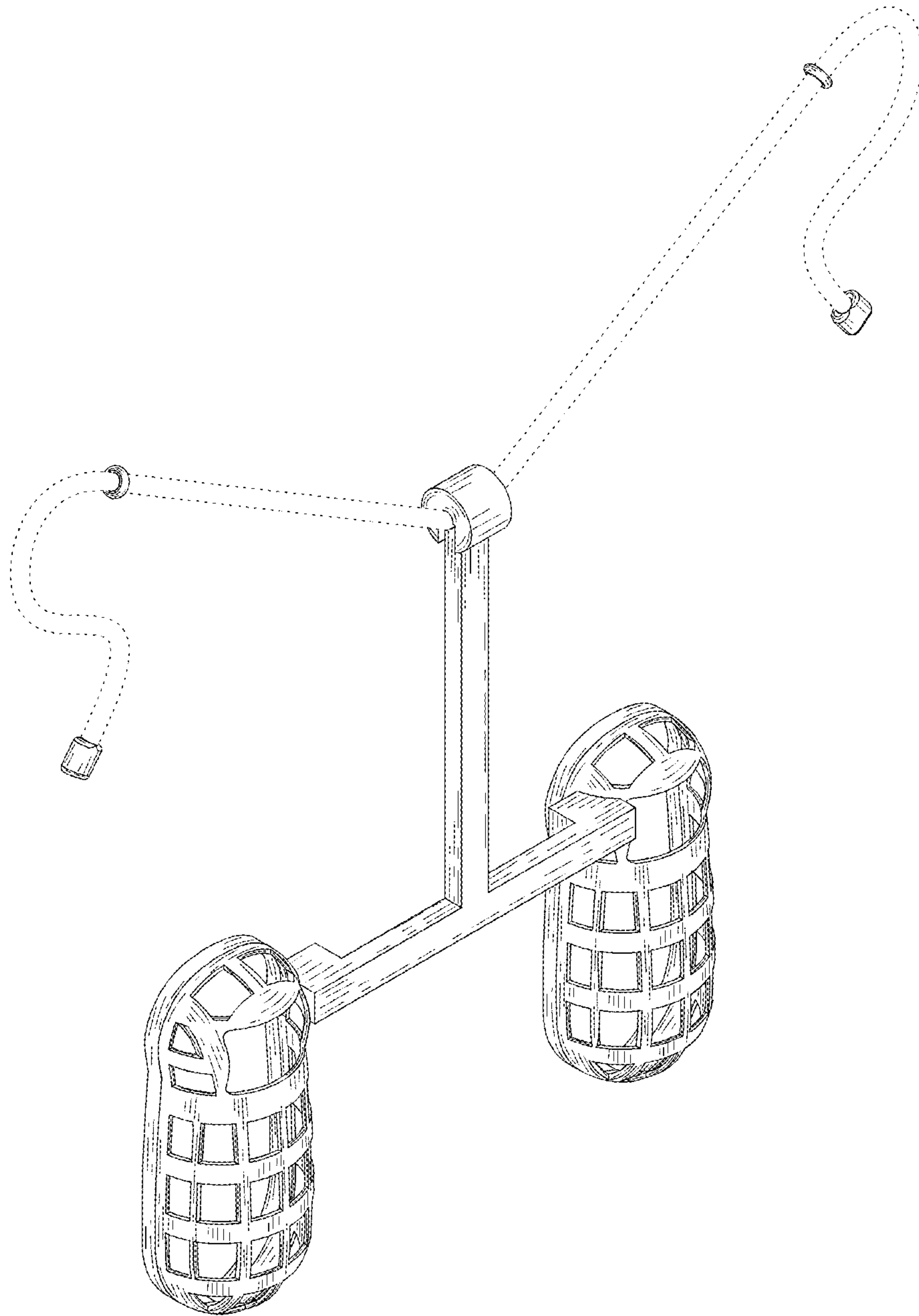


FIG. 2

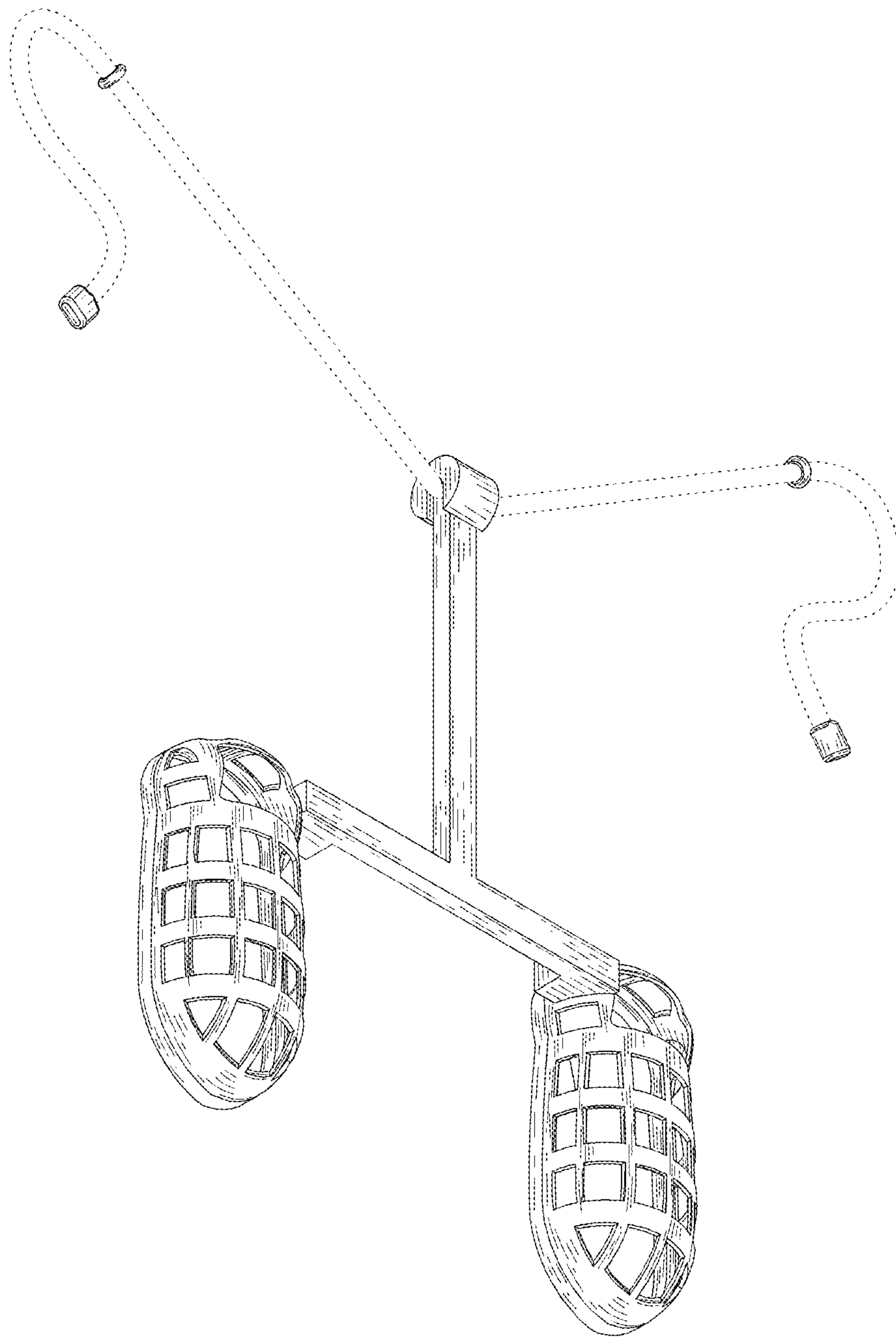


FIG. 3

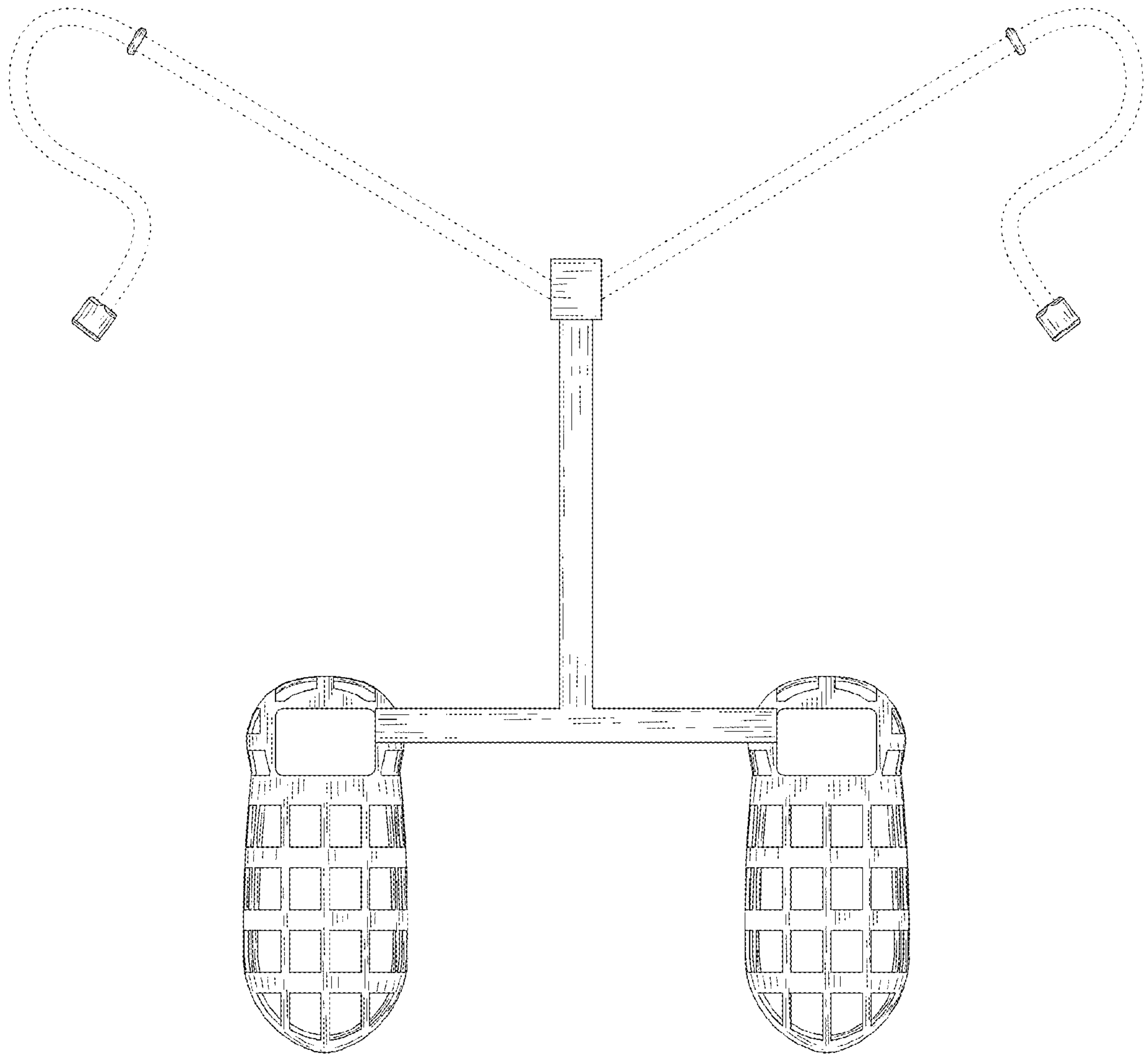


FIG. 4



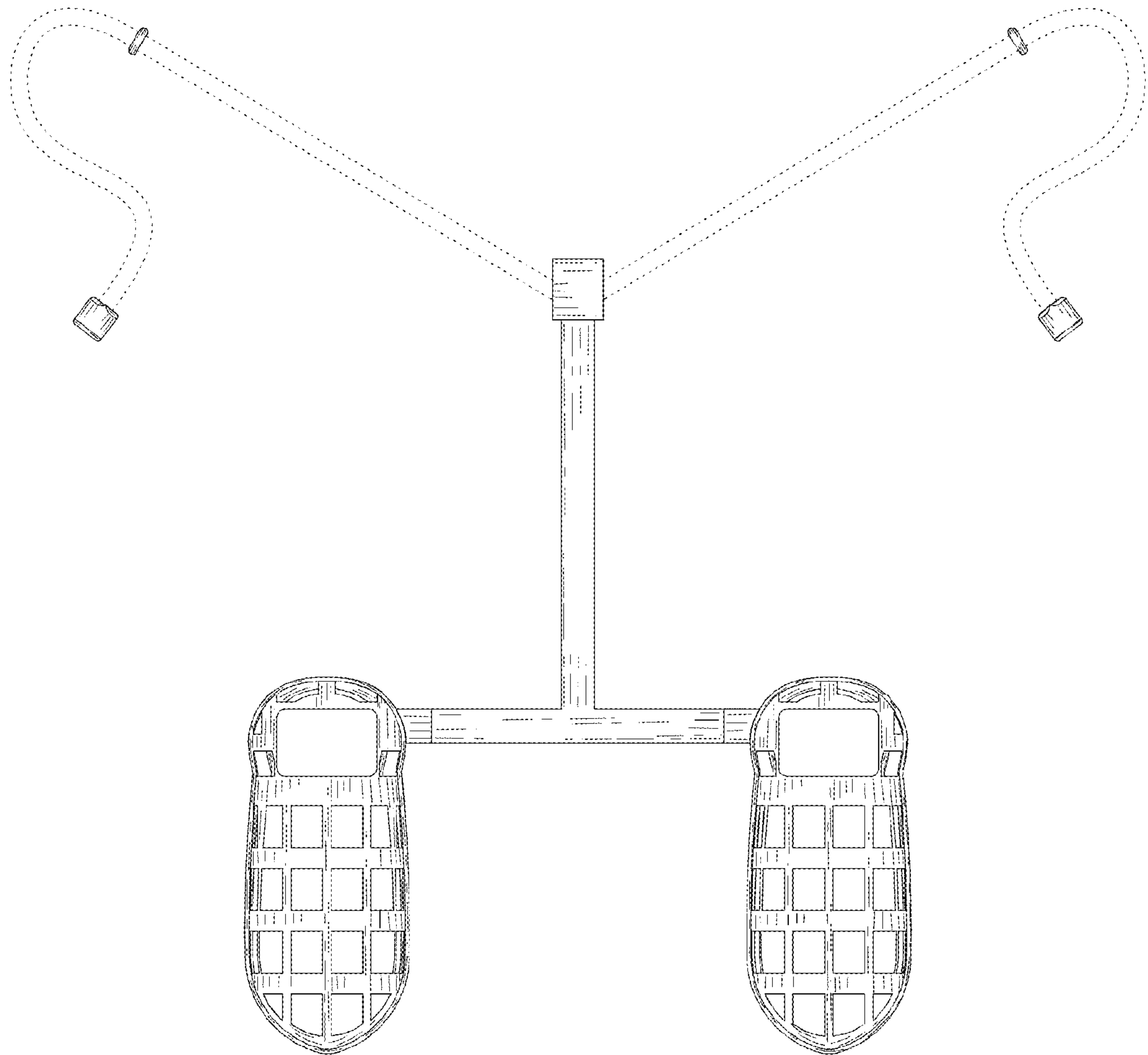


FIG. 5

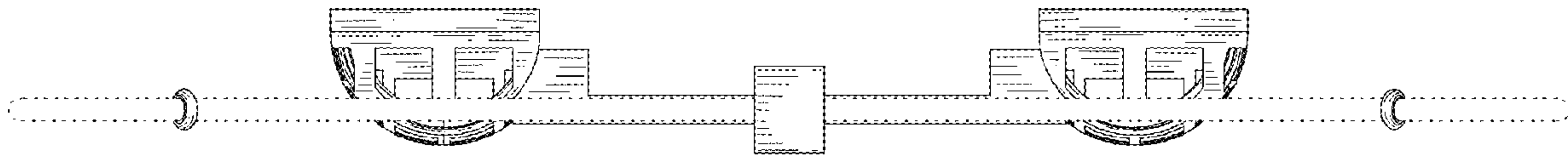


FIG. 6

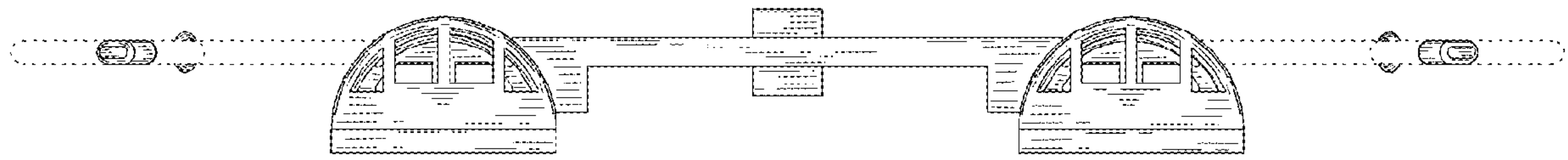


FIG. 7



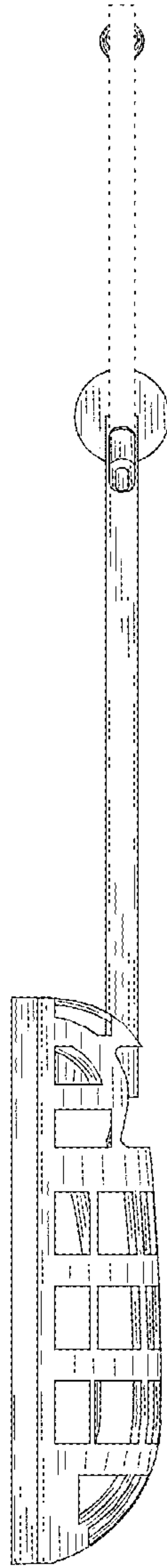


FIG. 8

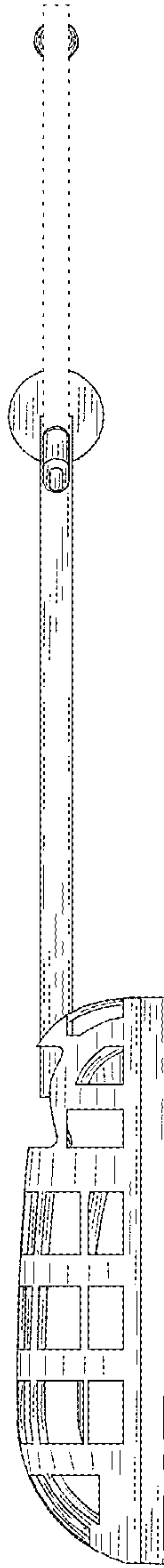


FIG. 9