



US00D913615S

(12) **United States Design Patent**  
**Lee et al.**

(10) **Patent No.:** **US D913,615 S**  
(45) **Date of Patent:** **\*\* Mar. 16, 2021**

(54) **PAIR OF BALANCE WEIGHTS FOR DRUM TYPE WASHING MACHINES**

(71) Applicant: **LG ELECTRONICS INC.**, Seoul (KR)

(72) Inventors: **Kilryong Lee**, Seoul (KR); **Taegyu Jang**, Seoul (KR); **Junyoung Kim**, Seoul (KR)

(73) Assignee: **LG ELECTRONICS INC.**, Seoul (KR)

(\*\*) Term: **15 Years**

(21) Appl. No.: **35/508,373**

(22) Filed: **Jul. 19, 2019**

(80) **Hague Agreement Data**

Int. Filing Date: **Jul. 19, 2019**

Int. Reg. No.: **DM/204700**

Int. Reg. Date: **Jul. 19, 2019**

Int. Reg. Pub. Date: **Jan. 24, 2020**

(51) **LOC (13) Cl.** ..... **32-01**

(52) **U.S. Cl.**  
USPC ..... **D32/29**

(58) **Field of Classification Search**

USPC ..... D32/1-6, 25, 28, 29

CPC ..... D06F 58/10; D06F 11/00; D06F 2105/24;

D06F 33/00; D06F 39/008; D06F 39/02;

D06F 39/022; D06F 39/028; D06F 39/04;

D06F 45/22; D06F 58/02; D06F 58/04;

D06F 58/20; D06F 58/30; D06F 89/00

See application file for complete search history.

(56) **References Cited**

**U.S. PATENT DOCUMENTS**

D208,419 S \* 8/1967 Ranson ..... D7/667

D774,718 S \* 12/2016 Kim ..... D32/29

D776,377 S \* 1/2017 Kim ..... D32/29  
D777,386 S \* 1/2017 Armstrong ..... D32/25  
D817,570 S \* 5/2018 Kim ..... D32/25  
D852,442 S \* 6/2019 Choi ..... D32/26  
D856,615 S \* 8/2019 Harbrecht ..... D32/25  
D869,800 S \* 12/2019 Lee ..... D32/25  
D883,596 S \* 5/2020 Li ..... D32/25

\* cited by examiner

*Primary Examiner* — Khawaja Anwar

(74) *Attorney, Agent, or Firm* — Birch, Stewart, Kolasch & Birch, LLP

(57) **CLAIM**

The ornamental design for a pair of balance weights for drum type washing machines, as shown and described.

**DESCRIPTION**

1. A pair of balance weights for drum type washing machines

1.1 : Perspective

1.2 : Front

1.3 : Back

1.4 : Left

1.5 : Right

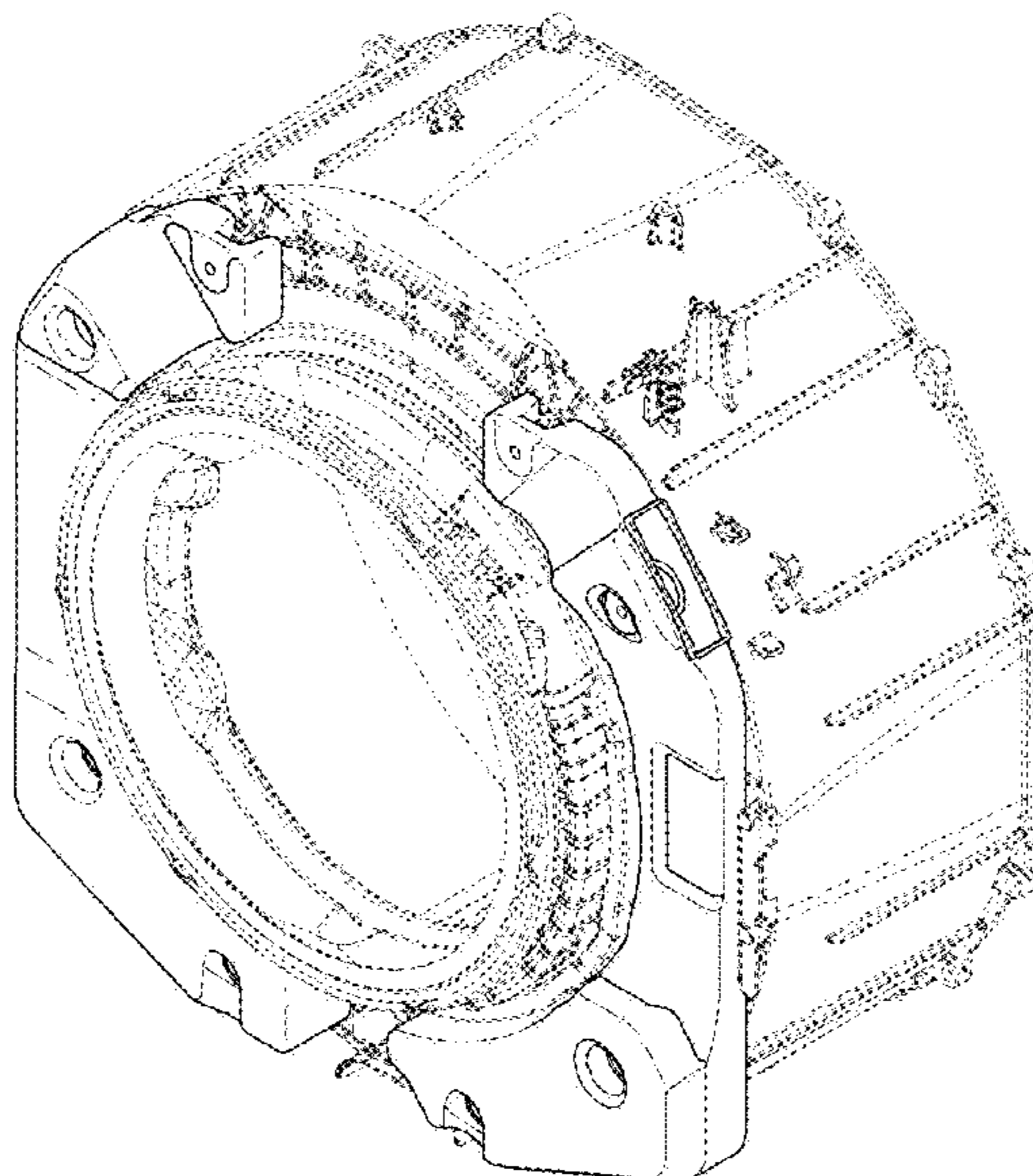
1.6 : Top

1.7 : Bottom

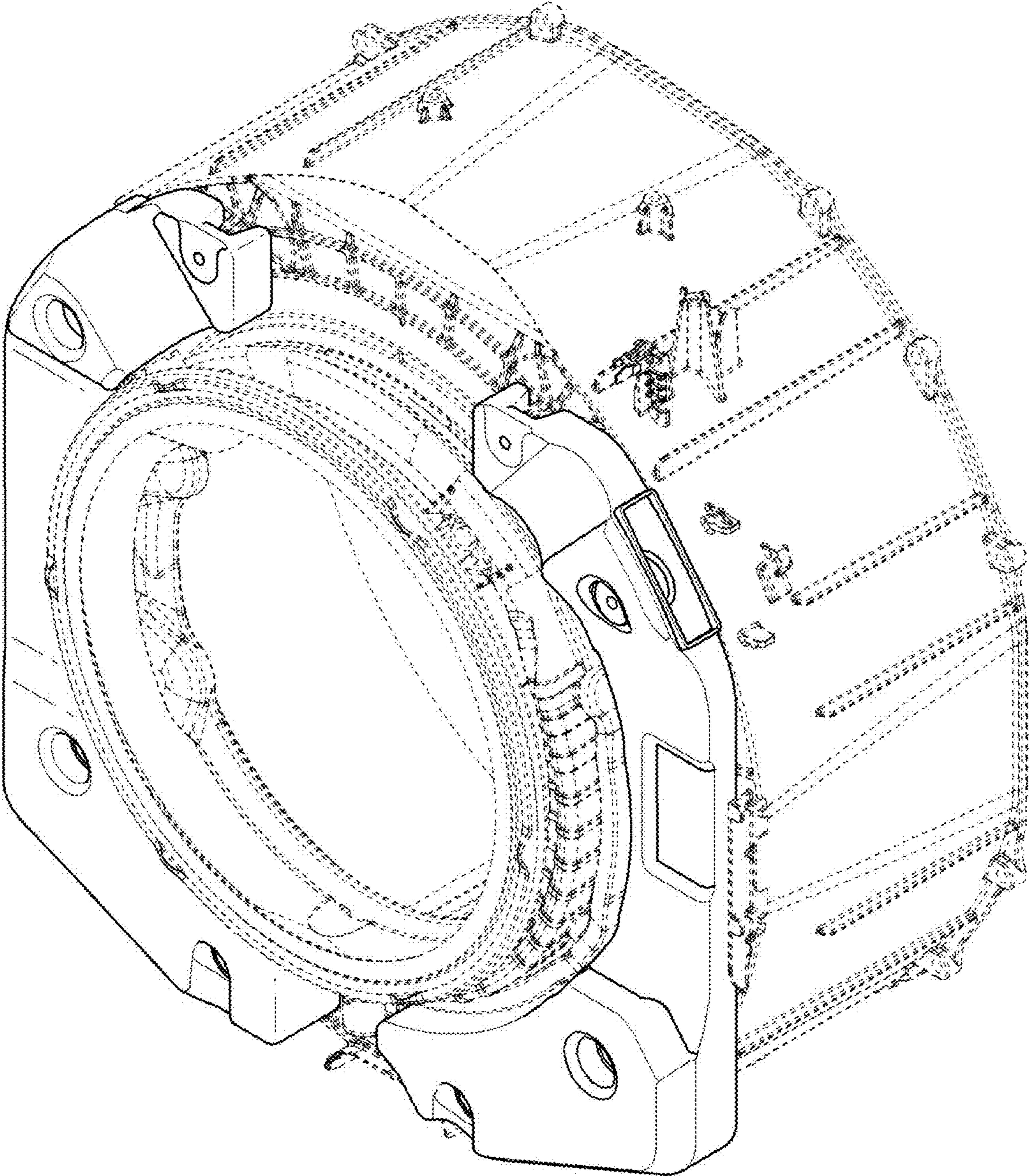
1.8 : Exploded

The broken lines showing of the portion of the washing machine where a pair of the balance weights for drum type washing machines is installed in the drawings are for the purpose of illustrating environmental structure form no part of the claimed design; reproduction 1.8 is an exploded perspective view showing the portion of the washing machine and a pair of balance weights for drum type washing machines.

**1 Claim, 8 Drawing Sheets**

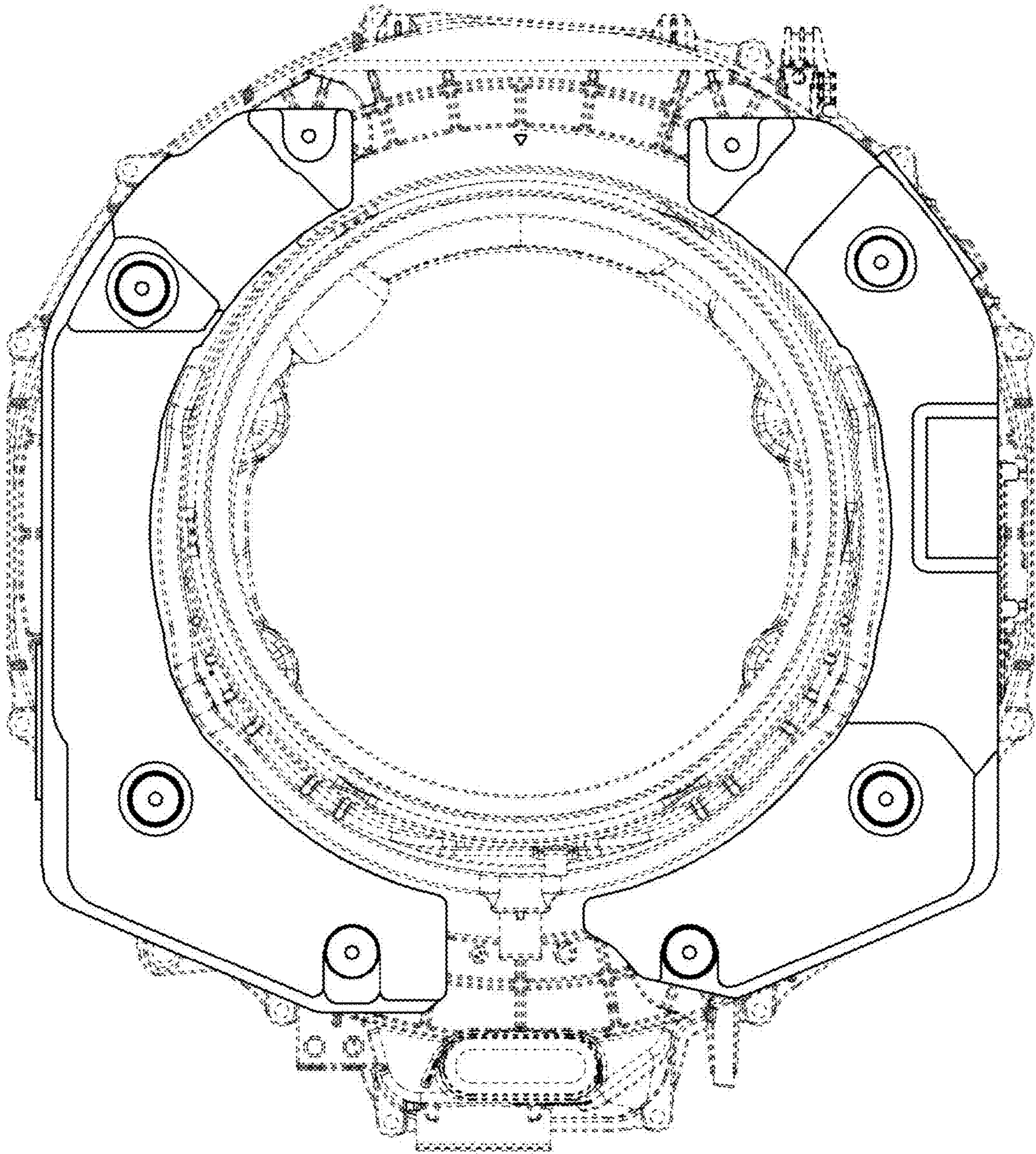


1.1

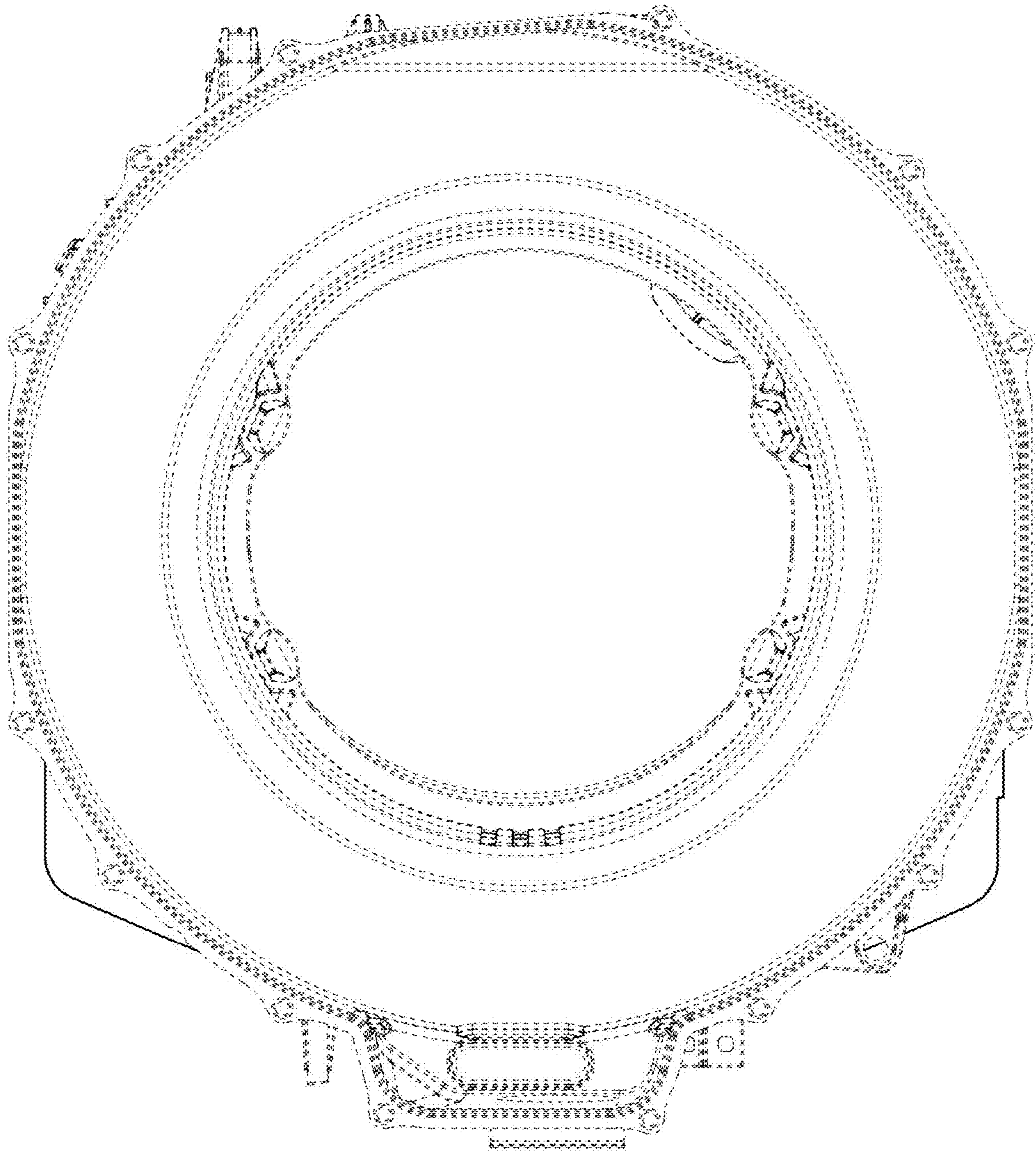




1.2

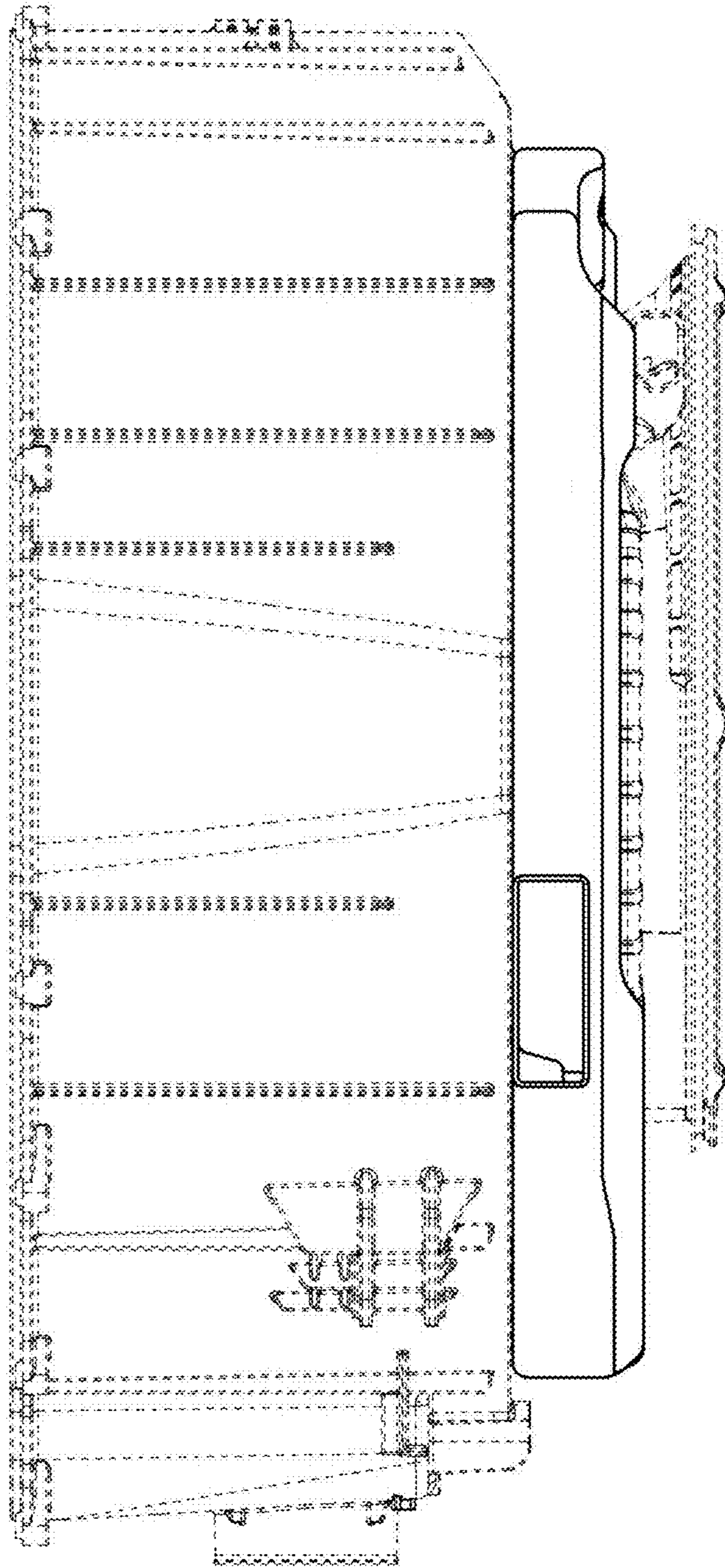


1.3

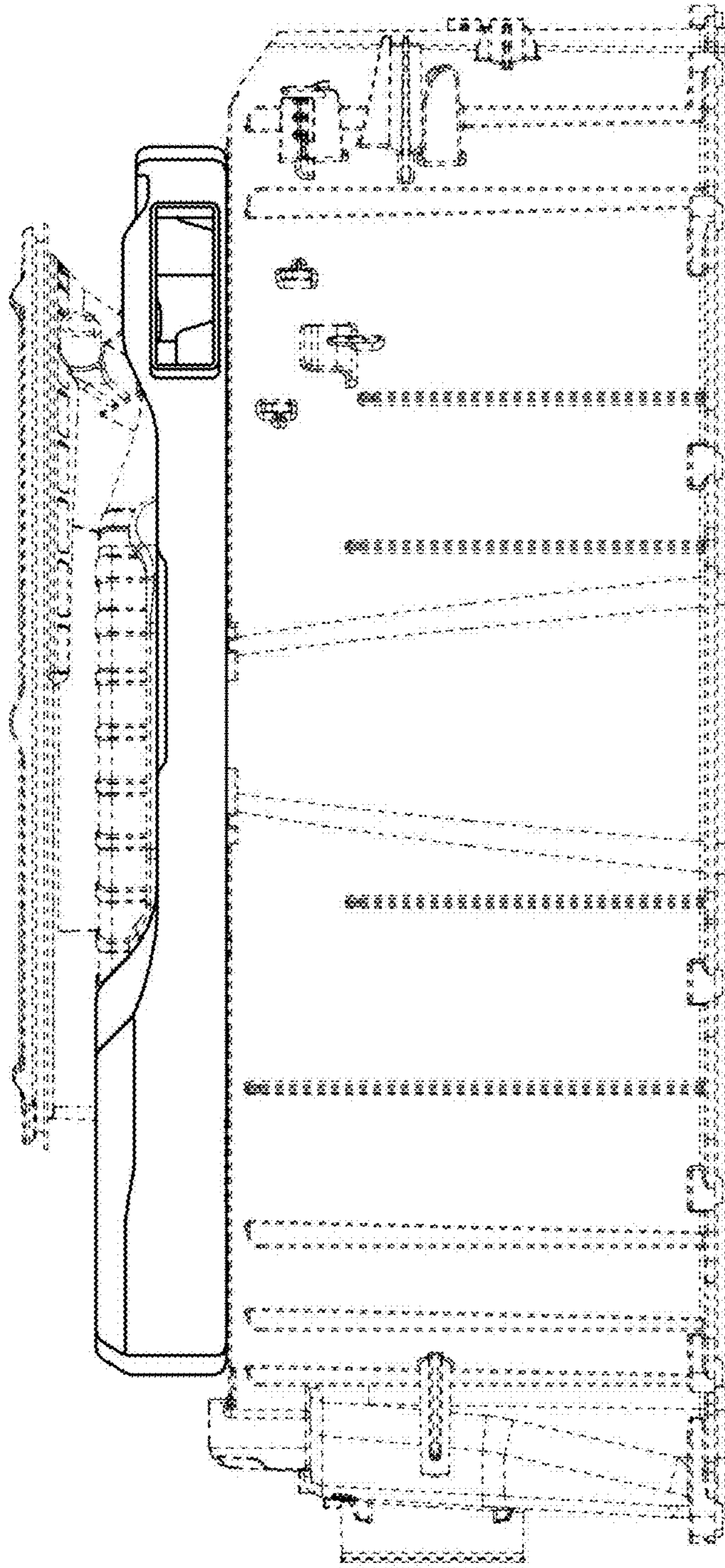




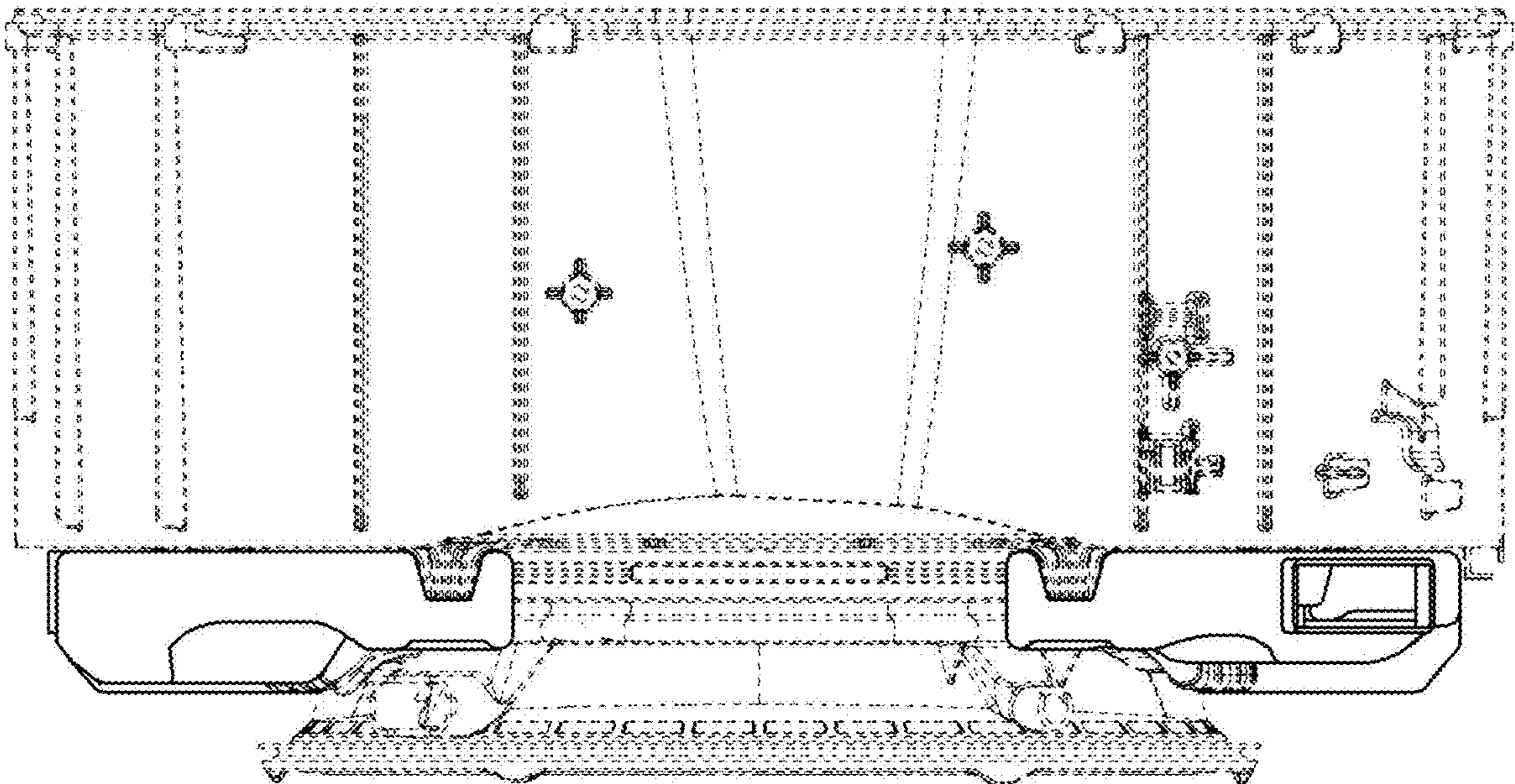
1.4



1.5

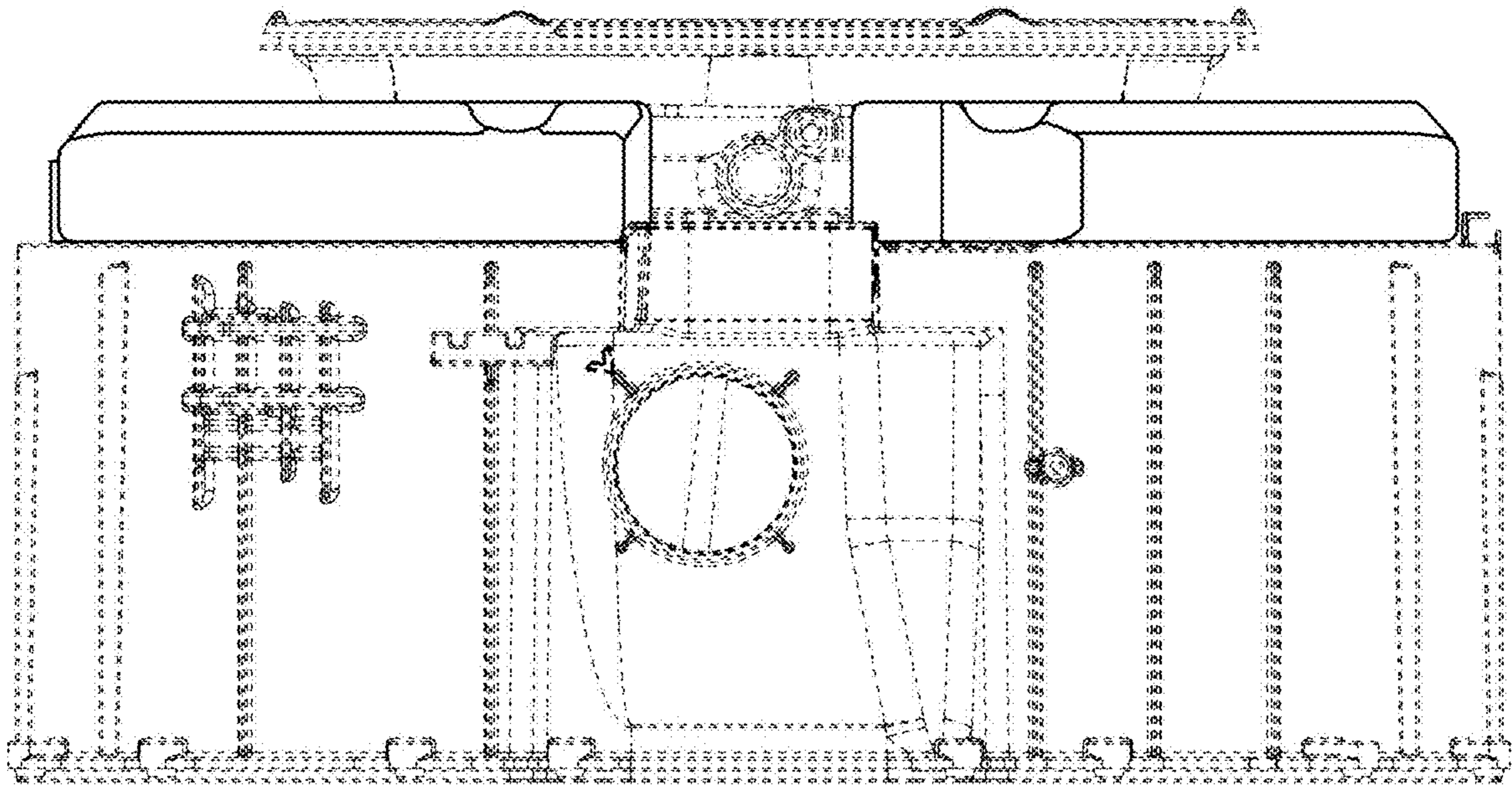


1.6





1.7





1.8

