



US00D913613S

(12) **United States Design Patent** (10) **Patent No.:** **US D913,613 S**  
**Kim et al.** (45) **Date of Patent:** **\*\* Mar. 16, 2021**

(54) **WATER TANK FOR DEHUMIDIFYING, DEODORIZING AND WRINKLE-REDUCING MACHINE FOR CLOTHING**

FOREIGN PATENT DOCUMENTS

CN 201630238840 \* 6/2016  
CN 201830061636 \* 2/2018

(71) Applicant: **LG Electronics Inc.**, Seoul (KR)

(Continued)

(72) Inventors: **Myungshik Kim**, Seoul (KR); **Donghwan Lee**, Seoul (KR); **Junyi Heo**, Seoul (KR); **Sungkyong Han**, Seoul (KR); **Jeaseok Seong**, Seoul (KR)

OTHER PUBLICATIONS

Amazon, Genuine Samsung Water Assembly Tank Fridge, posted May 31, 2018, [online], [visited Jul. 4, 2020]. Internet, <URL: [https://www.amazon.co.uk/Genuine-Samsung-DA9713498A-Assembly-Fridge/dp/B07DGFMTN/ref=sr\\_1\\_27?dchild=1&keywords=WATER+TANK&q%E2%80%A6](https://www.amazon.co.uk/Genuine-Samsung-DA9713498A-Assembly-Fridge/dp/B07DGFMTN/ref=sr_1_27?dchild=1&keywords=WATER+TANK&q%E2%80%A6)> (Year: 2018).\*

(73) Assignee: **LG ELECTRONICS INC.**, Seoul (KR)

(Continued)

(\*\*) Term: **15 Years**

*Primary Examiner* — George D. Kirschbaum

(21) Appl. No.: **35/507,378**

*Assistant Examiner* — Samantha N Wood

(22) Filed: **Jan. 25, 2019**

(74) *Attorney, Agent, or Firm* — Birch, Stewart, Kolasch & Birch, LLP

(80) **Hague Agreement Data**

Int. Filing Date: **Jan. 25, 2019**

Int. Reg. No.: **DM/202551**

Int. Reg. Date: **Jan. 25, 2019**

Int. Reg. Pub. Date: **Sep. 6, 2019**

(57) **CLAIM**

The ornamental design for a water tank for dehumidifying, deodorizing and wrinkle-reducing machine for clothing, as shown and described.

(30) **Foreign Application Priority Data**

**DESCRIPTION**

Jul. 26, 2018 (KR) ..... 30-2018-0034760

(51) **LOC (13) Cl.** ..... **15-05**

(52) **U.S. Cl.**  
USPC ..... **D32/25; D32/10**

(58) **Field of Classification Search**  
USPC ..... D32/35, 58, 10, 1, 5, 6, 8, 25, 29, 30;  
D15/79, 80, 81, 85; D9/516, 517, 575,  
(Continued)

1. Water tank for dehumidifying, deodorizing and wrinkle-reducing machine for clothing  
1.1 : Perspective  
1.2 : Front  
1.3 : Back  
1.4 : Left  
1.5 : Top  
1.6 : Bottom  
1.7 : Perspective shown in use  
1.8 : Perspective shown in use environment  
1.9 : Detail Perspective shown in use of 1.8

(56) **References Cited**

U.S. PATENT DOCUMENTS

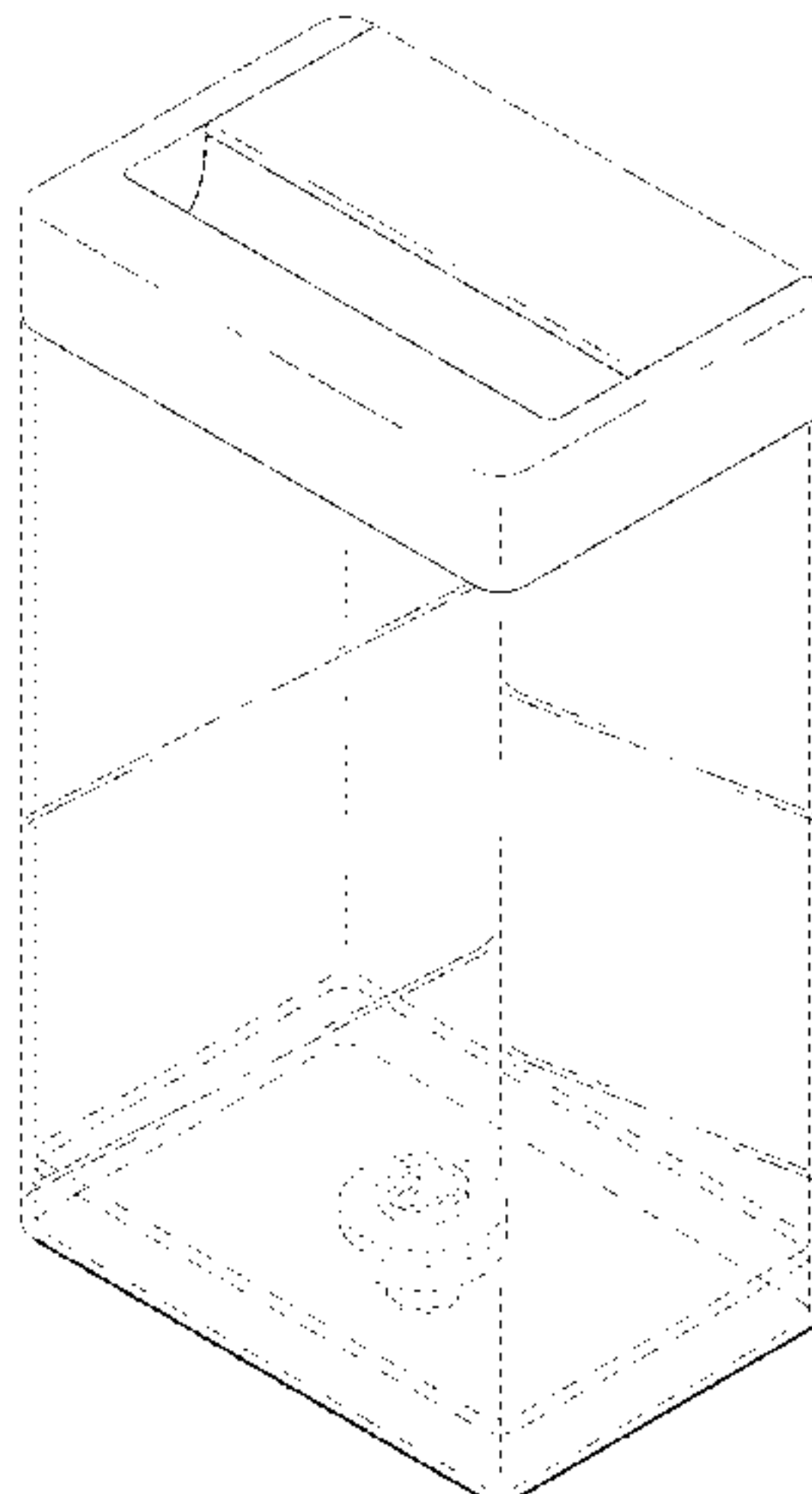
D281,539 S \* 11/1985 Harrison ..... D32/1

D303,442 S \* 9/1989 Harrison ..... D32/1

(Continued)

The broken lines depict portions of water tank for dehumidifying, deodorizing and wrinkle-reducing machine for clothing that form no part of the claimed design; the fine lines on the drawings indicate the flat surface, curved surface

(Continued)



or transparent part; and the environment shown in broken lines in 1.7-1.9 forms no part of the claimed design.

**1 Claim, 9 Drawing Sheets**

**(58) Field of Classification Search**

USPC ..... D9/721, 739, 529, 530, 531; D7/318, D7/317  
 CPC ..... D06F 25/00; D06F 21/00; D06F 34/26; D06F 33/00; D06F 33/04; D06F 33/06; D06F 33/08; D06F 33/10; D06F 33/30; D06F 33/32; D06F 33/50; D06F 33/52; D06F 33/54; D06F 33/64; D06F 33/69; D06F 33/76; D06F 33/72; D06F 33/65; D06F 43/02; D06F 43/04; D06F 43/06; D06F 43/08; D06F 43/081

See application file for complete search history.

**(56) References Cited**

U.S. PATENT DOCUMENTS

D347,911 S \* 6/1994 Tominaga ..... D30/101  
 D475,296 S \* 6/2003 Lee ..... D9/560  
 D626,710 S \* 11/2010 Boulos ..... D32/25

D660,637 S \* 5/2012 Milewski ..... D7/317  
 D671,282 S \* 11/2012 Jeon ..... D32/10  
 D702,547 S \* 4/2014 Akana ..... D9/424  
 D724,177 S \* 3/2015 Lee ..... D23/202  
 D784,637 S \* 4/2017 Kim ..... D32/25  
 D795,503 S \* 8/2017 Mei ..... D30/101  
 D836,963 S \* 1/2019 Jeon ..... D7/318  
 D868,549 S \* 12/2019 Feng ..... D7/629

FOREIGN PATENT DOCUMENTS

CN 20193025930.2 \* 5/2019  
 KR 3020160025295 \* 5/2016

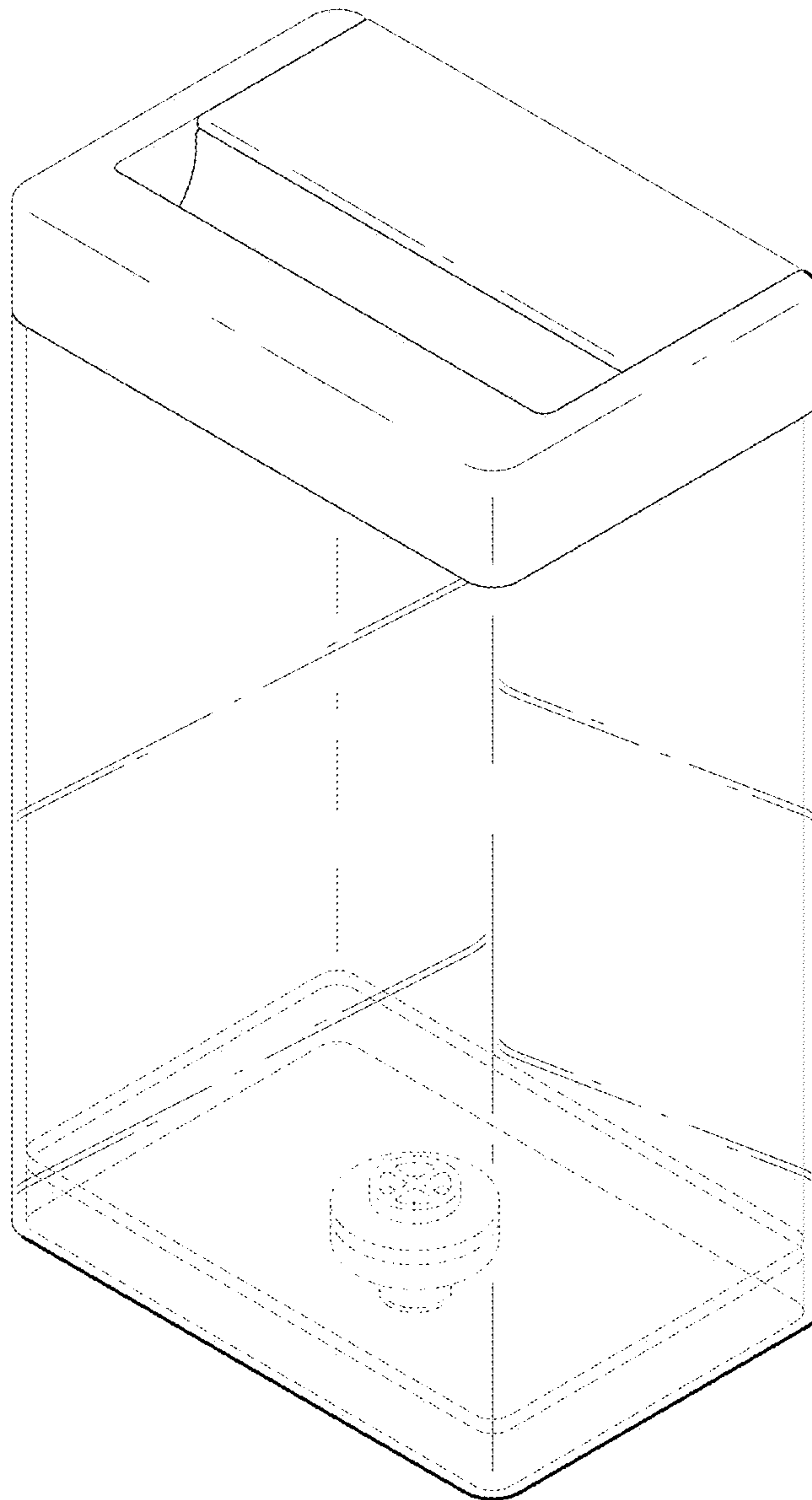
OTHER PUBLICATIONS

Amazon, Fluval Chi, posted Oct. 11, 2013, [online], [visited Jul. 4, 2020]. Internet, <URL: [https://www.amazon.co.uk/Hagen-Fluval-Chi-Aquarium-Litre/dp/B00FSQCXF6/ref=sr\\_1\\_289\\_sspa?dchild=1&keywords=WATER+TANK&qid=1593881%E2%80%A6](https://www.amazon.co.uk/Hagen-Fluval-Chi-Aquarium-Litre/dp/B00FSQCXF6/ref=sr_1_289_sspa?dchild=1&keywords=WATER+TANK&qid=1593881%E2%80%A6)> (Year: 2013).\*

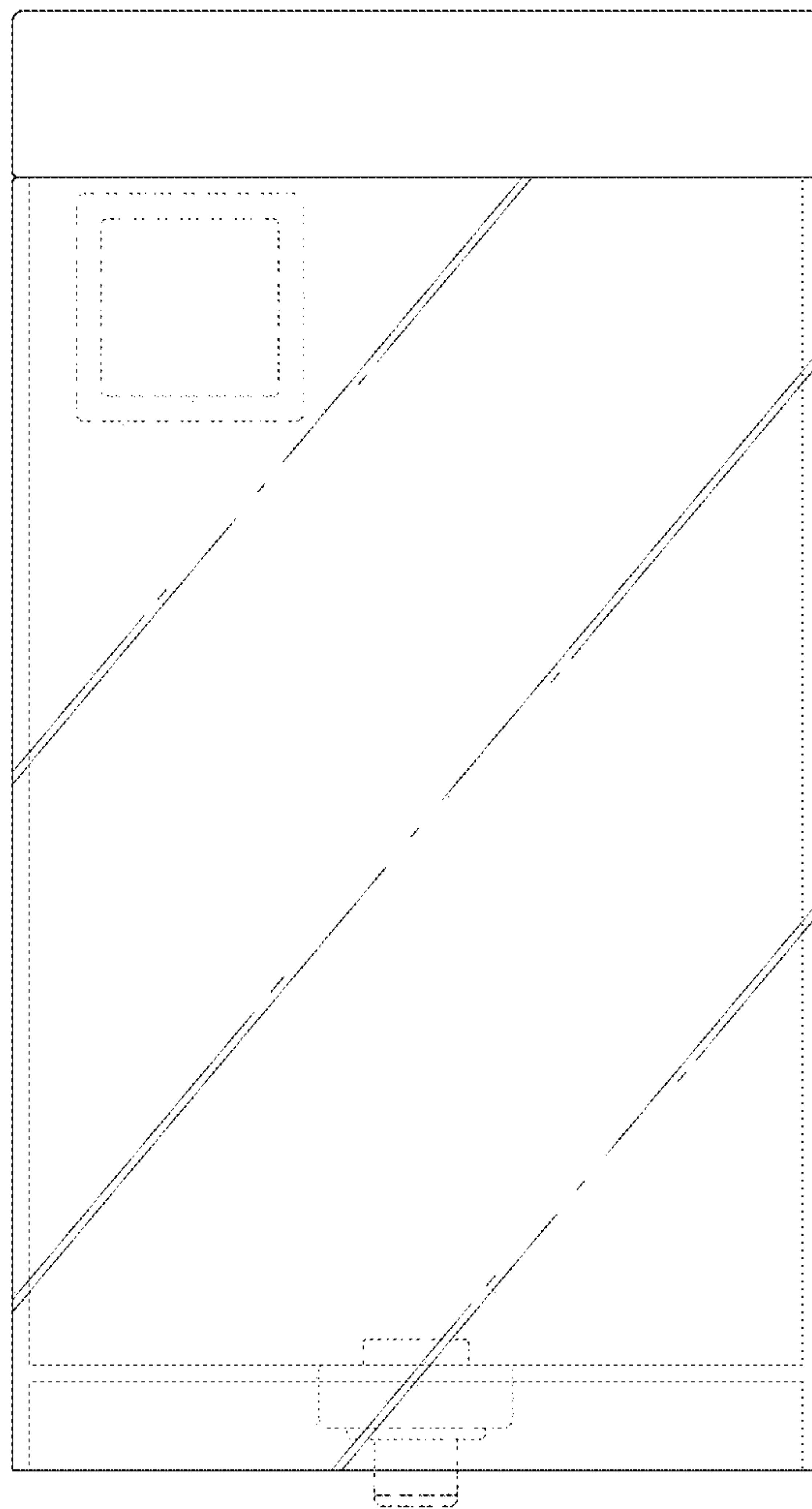
Amazon, pH Recharge Water Ionizer, posted Jul. 17, 2017, [online], [visited Jul. 4, 2020]. Internet, <URL: [https://www.amazon.co.uk/Recharge-Alkaline-Water-Ionizer-Machine/dp/B073ZC82H1/ref=sr\\_1\\_162\\_sspa?dchild=1&keywords=WATER+Tank&qid=%E2%80%A6](https://www.amazon.co.uk/Recharge-Alkaline-Water-Ionizer-Machine/dp/B073ZC82H1/ref=sr_1_162_sspa?dchild=1&keywords=WATER+Tank&qid=%E2%80%A6)> (Year: 2017).\*

\* cited by examiner

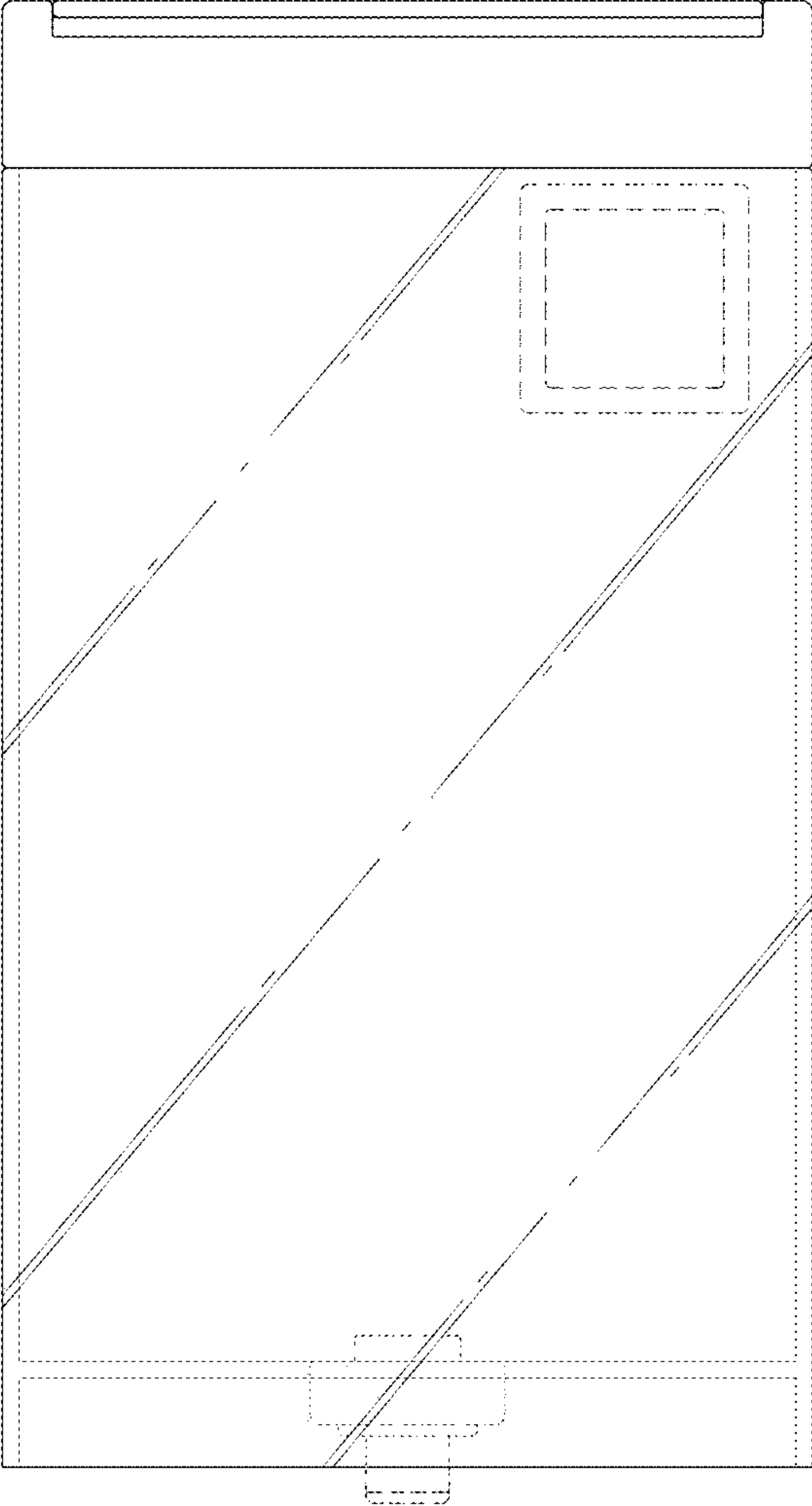
1.1



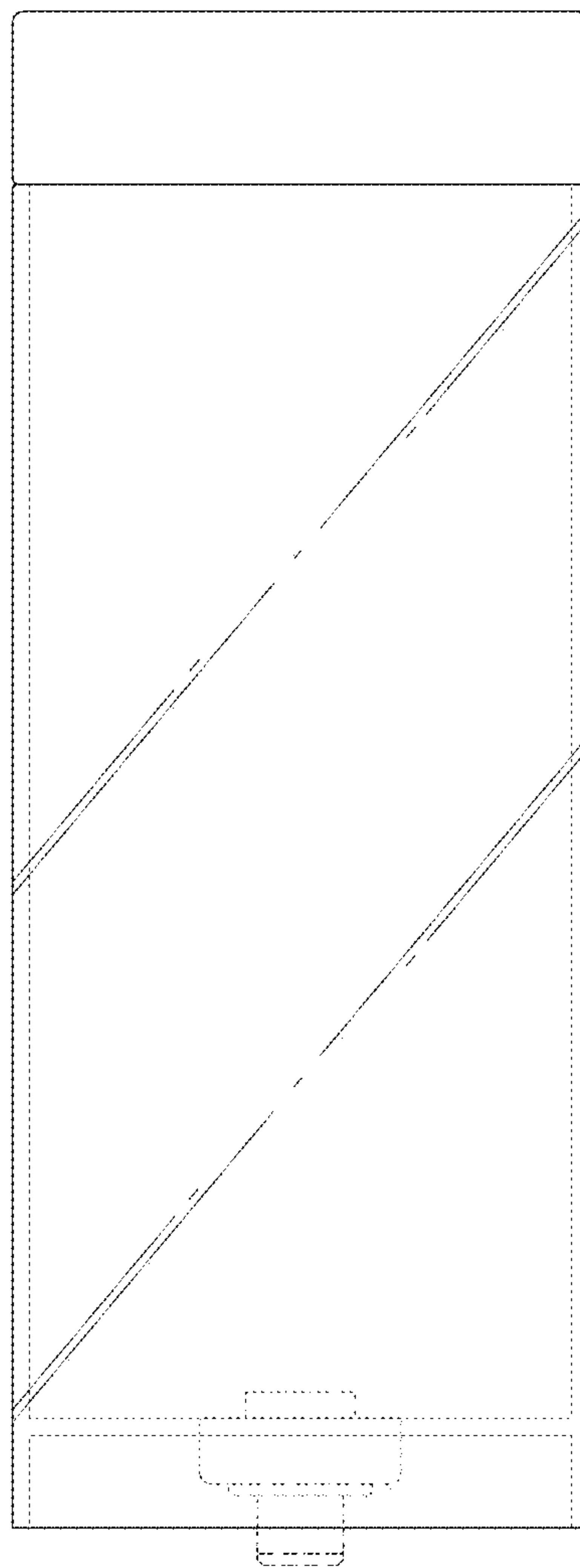
1.2



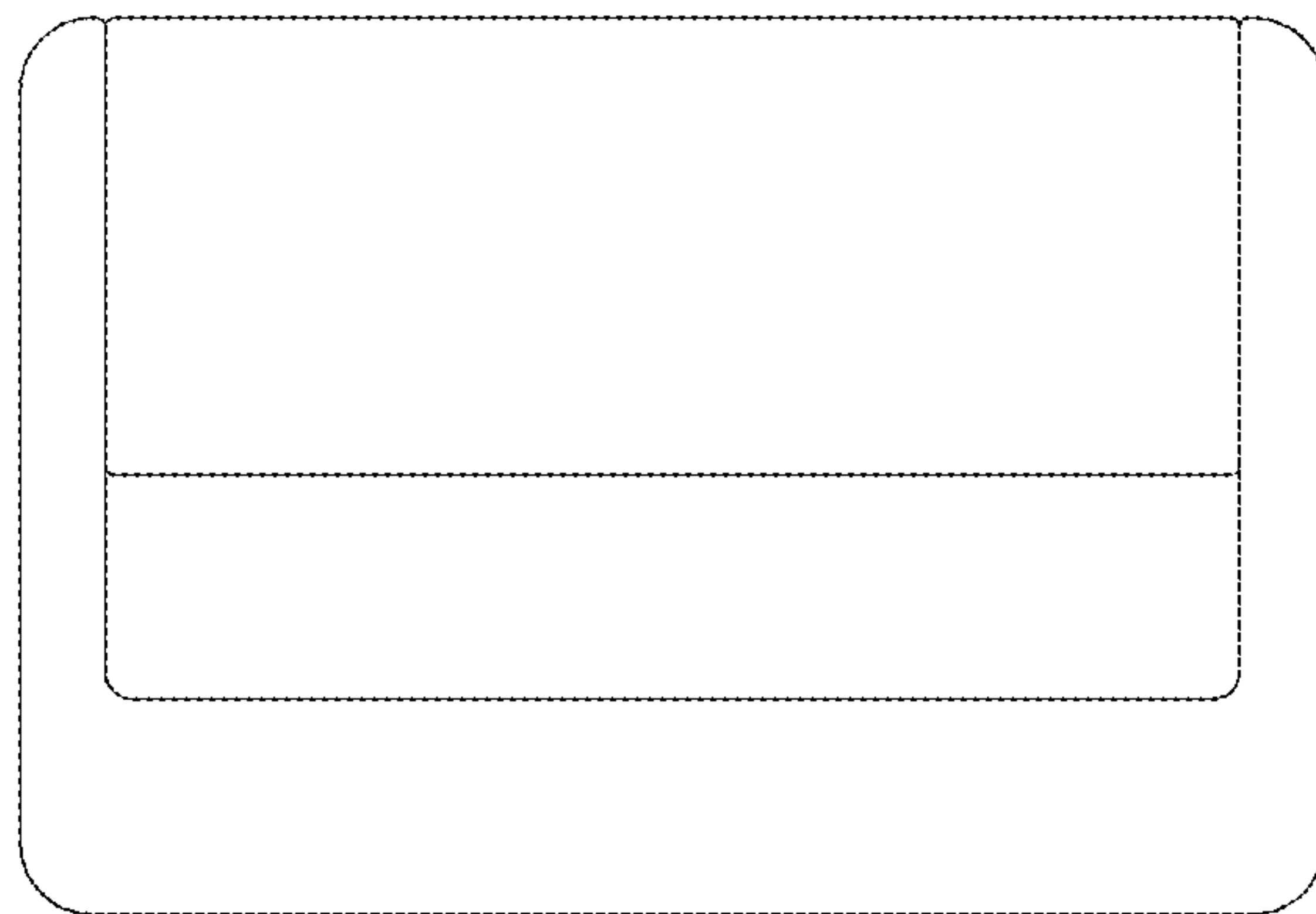
1.3



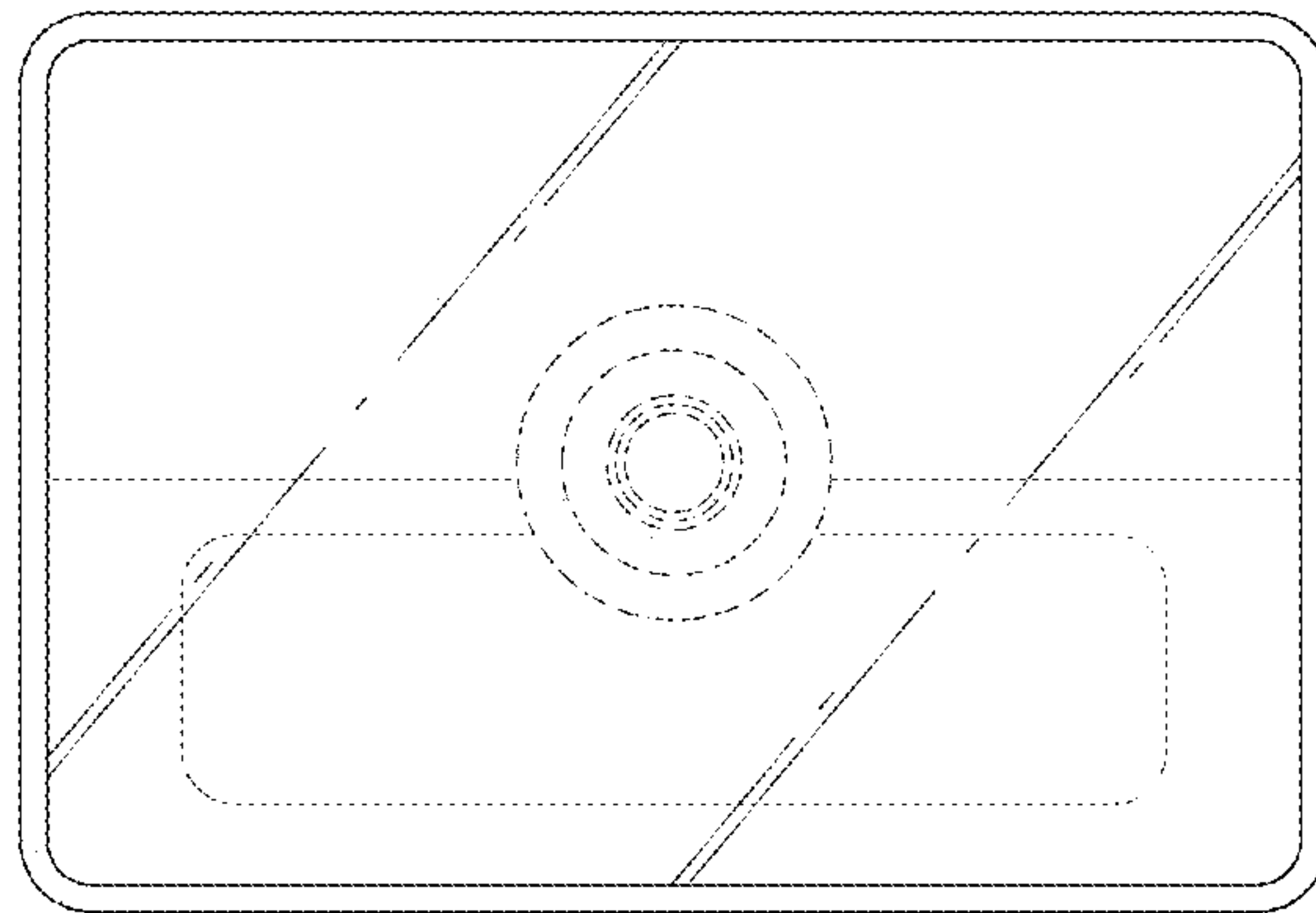
1.4



1.5

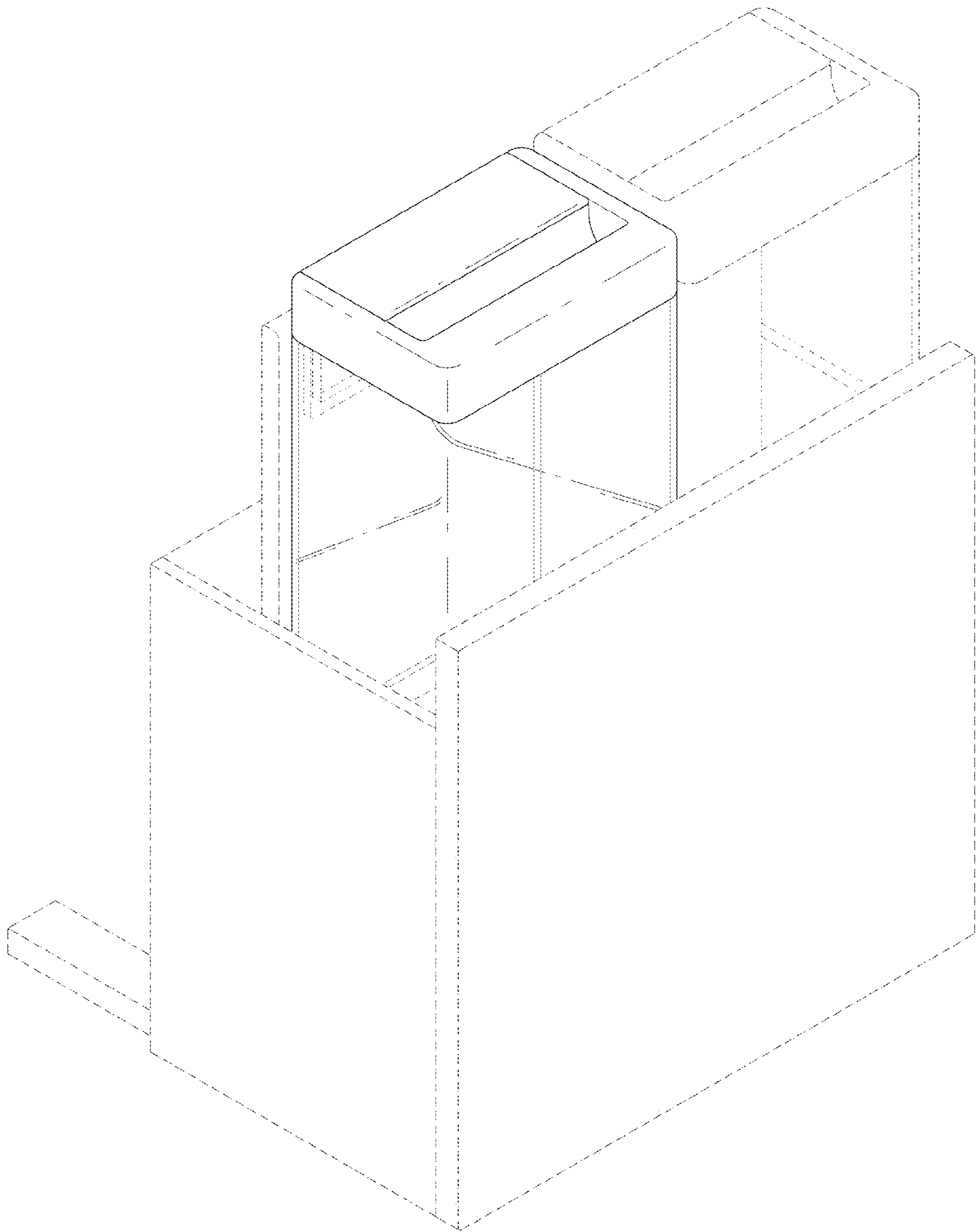


1.6

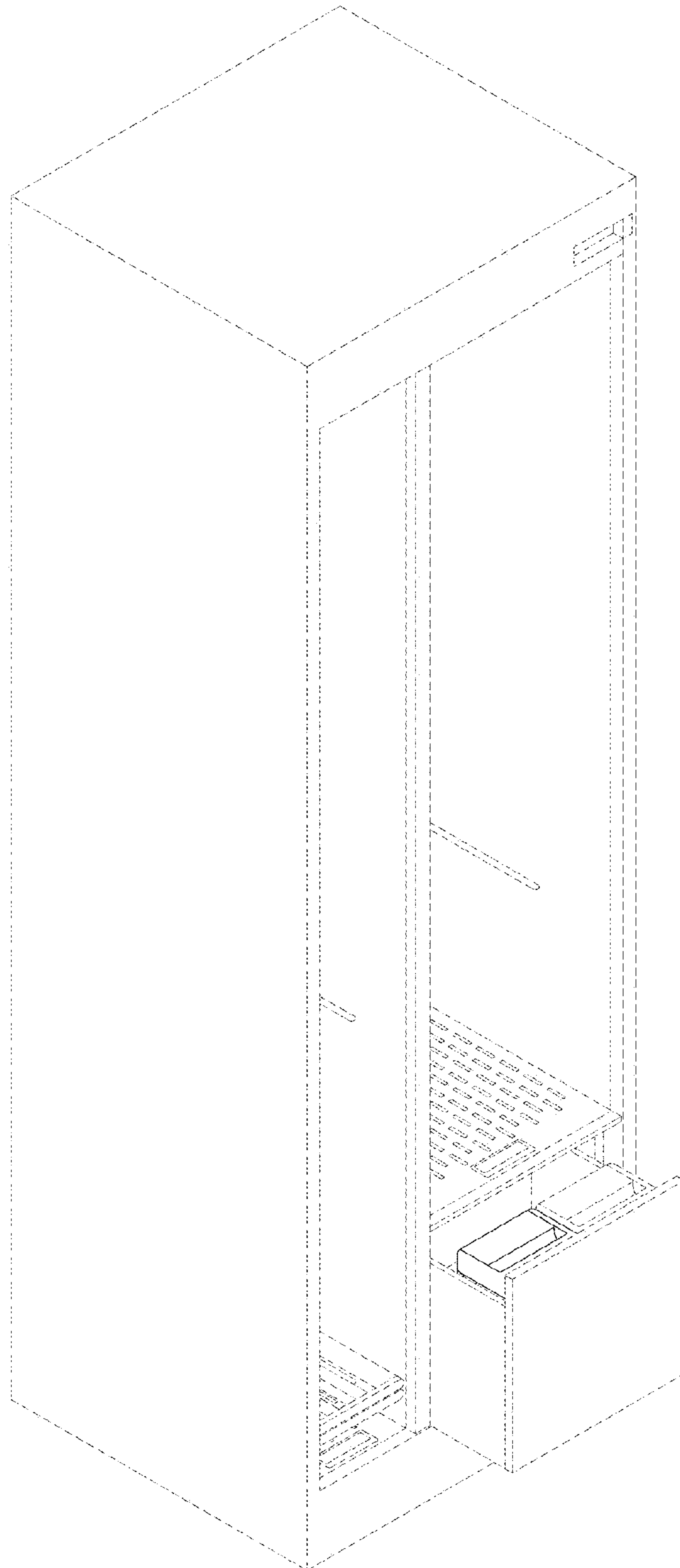




1.7



1.8



1.9

