



US00D913612S

(12) **United States Design Patent** (10) **Patent No.:** **US D913,612 S**  
**Knowlton** (45) **Date of Patent:** **\*\* Mar. 16, 2021**

(54) **DISC SCRUB BRUSH DRIVER**

(71) Applicant: **Minuteman International, Inc.**,  
Pingree Grove, IL (US)

(72) Inventor: **Christopher M. Knowlton**, Pinehurst,  
NC (US)

(73) Assignee: **Minuteman International, Inc.**,  
Pingree Grove, IL (US)

(\*\*) Term: **15 Years**

(21) Appl. No.: **29/665,532**

(22) Filed: **Oct. 4, 2018**

(51) **LOC (13) Cl.** ..... **15-05**

(52) **U.S. Cl.**  
USPC ..... **D32/25**

(58) **Field of Classification Search**  
USPC ..... D4/102, 109; D8/83, 107, 300-322;  
D28/7, 8, 8.1, 8.2, 9, 20, 48, 54.1, 63, 73,  
D28/76-78, 82; D32/35  
CPC .... A45D 33/00; A45D 33/001; A45D 33/003;  
A45D 33/006; A45D 33/02; A45D 33/18;  
A45D 33/22; A45D 40/26; A45D 40/261;  
A45D 40/28; A45D 44/08; A45D 44/10;  
A45D 2200/20; A45D 2200/207; A45D  
2200/1009; A45D 2200/1054; A45D  
2200/1063; A45D 2200/1081; A45D  
2200/109; A46B 2200/00; A46B 2200/10;  
A46B 2200/102; A46B 2200/1046; A46B  
5/00; A46B 5/02; A46B 5/021; A46B  
5/023; A46B 5/025; A46B 5/026; A46B  
5/028; A46B 5/0095; A46B 7/00; A46B  
7/02; A46B 7/023; A47K 7/00; A47K  
7/02; A47K 7/06; A47K 7/08

See application file for complete search history.

(56) **References Cited**

**U.S. PATENT DOCUMENTS**

3,512,204 A \* 5/1970 Jagiel ..... A47L 11/4038  
15/230.16  
D256,546 S \* 8/1980 Holland-Letz ..... D8/83

D409,340 S \* 5/1999 Winter ..... D32/25  
D421,886 S \* 3/2000 Jau ..... D8/107  
6,309,292 B1 \* 10/2001 Montabaur ..... B24D 3/22  
451/541  
D482,949 S \* 12/2003 Molenaar ..... D8/107  
D487,279 S \* 3/2004 Kazama ..... D15/126  
D544,890 S \* 6/2007 Sun ..... D15/126  
D556,007 S \* 11/2007 Hung ..... D8/107  
D562,665 S \* 2/2008 Gao ..... D8/83  
D593,464 S \* 6/2009 Mentis ..... D12/178

(Continued)

**OTHER PUBLICATIONS**

Minuteman International, Inc.; Disclosing Trek Cleaning Machines,  
Inc. and Minuteman International, Inc. Brush Drivers.

*Primary Examiner* — Philip S Hyder

*Assistant Examiner* — Cary M Robinson

(74) *Attorney, Agent, or Firm* — Frank M. Scutch, III

(57) **CLAIM**

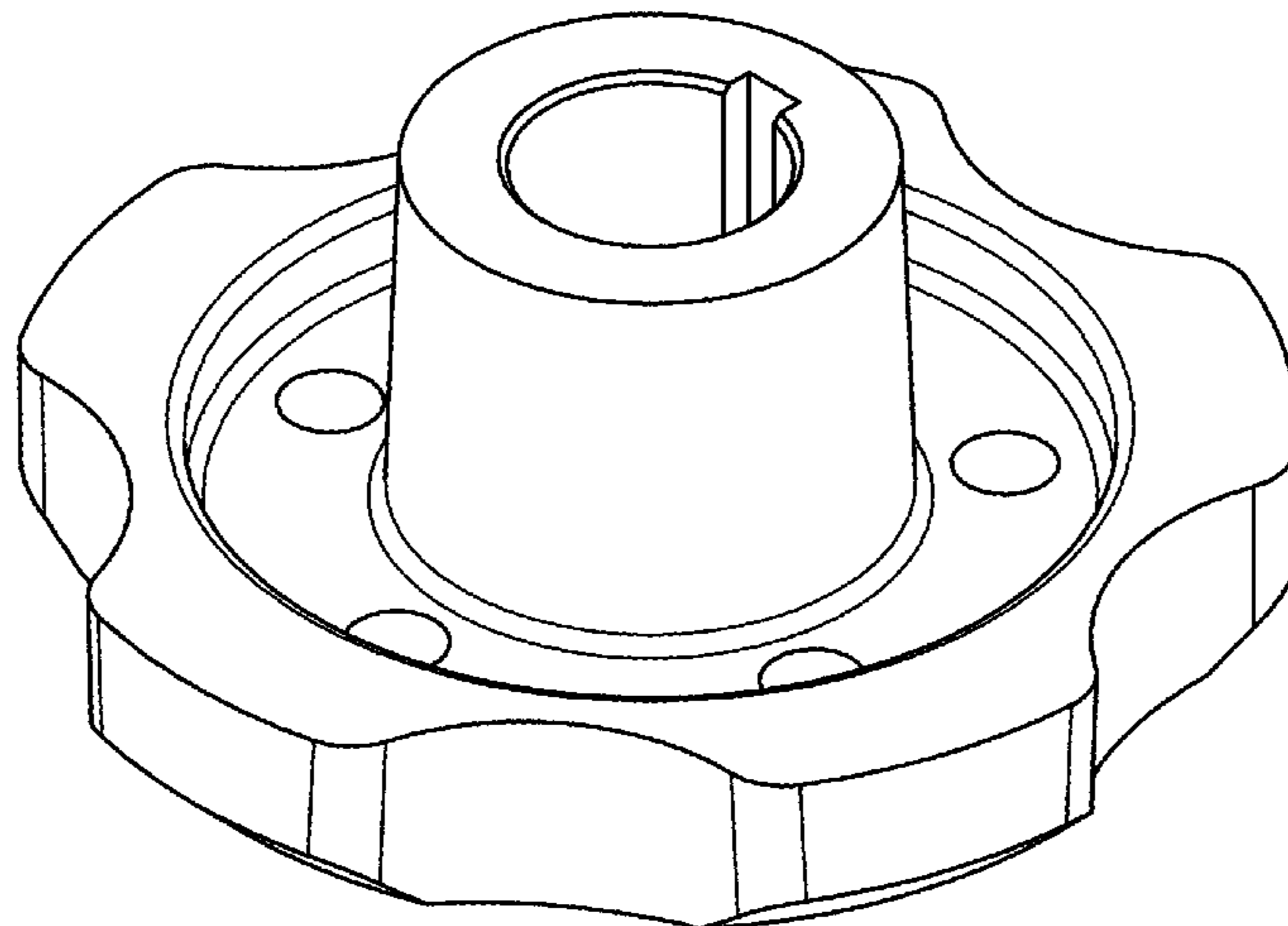
The ornamental design for a disc scrub brush driver, as  
shown and described.

**DESCRIPTION**

FIG. 1 is a top perspective view of a disc scrub brush driver;  
FIG. 2 is a front side view thereof;  
FIG. 3 is a rear side view thereof;  
FIG. 4 is a left side view thereof;  
FIG. 5 is a right view thereof;  
FIG. 6 is a top view thereof;  
FIG. 7 is bottom view thereof; and,  
FIG. 8 is a top perspective view thereof shown inserted  
within a disc scrub brush.

The broken lines shown in FIG. 8 illustrate portions of the  
disc scrub brush in which the design is embodied and form  
no part of the claimed design.

**1 Claim, 8 Drawing Sheets**



(56)

**References Cited**

U.S. PATENT DOCUMENTS

D631,626	S *	1/2011	Raddick	.....	D32/25
D663,189	S *	7/2012	Robinson	.....	D8/107
D675,893	S *	2/2013	Chen	.....	D8/25
D718,586	S *	12/2014	Jiang	.....	D8/25
D765,928	S *	9/2016	Goff	.....	D32/25
D810,538	S *	2/2018	Ou	.....	D8/83
D811,749	S *	3/2018	Cohen	.....	D4/128
D817,569	S *	5/2018	Baker	.....	D32/25
D824,479	S *	7/2018	Jen	.....	D22/108
D829,524	S *	10/2018	Su	.....	D8/83
D837,628	S *	1/2019	Neal	.....	D8/310
D855,914	S *	8/2019	Baker	.....	D32/25
D880,266	S *	4/2020	Knowlton	.....	D8/70
2006/0079163	A1 *	4/2006	Montabaur	.....	B24D 3/22 451/542
2007/0089251	A1 *	4/2007	Alexander Loring	.....	A47L 11/283 15/49.1
2016/0072416	A1 *	3/2016	Hirotsu	.....	H02P 29/02 318/400.02
2017/0073050	A1 *	3/2017	Smith	.....	E04H 4/1618

\* cited by examiner

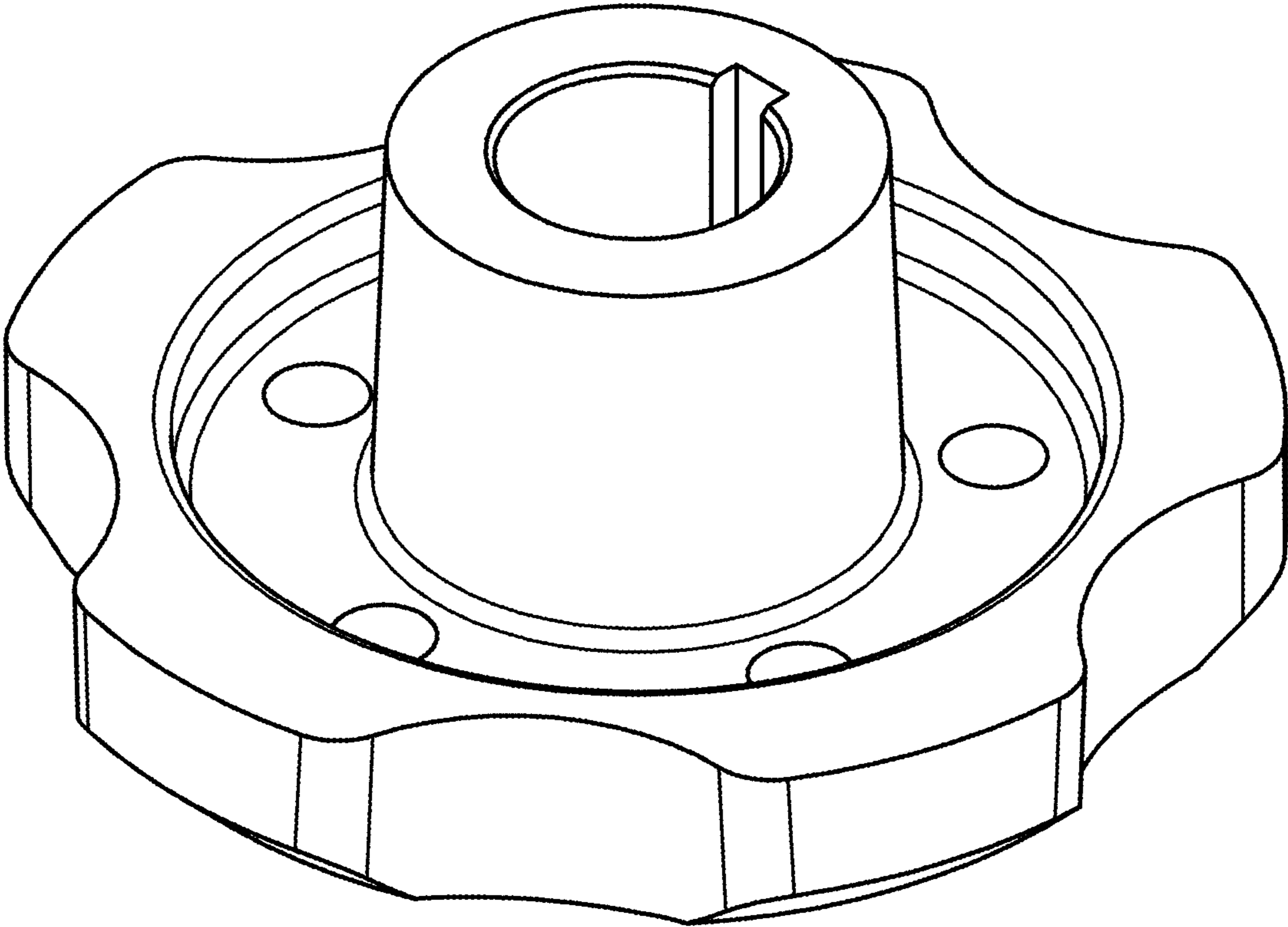


FIG 1

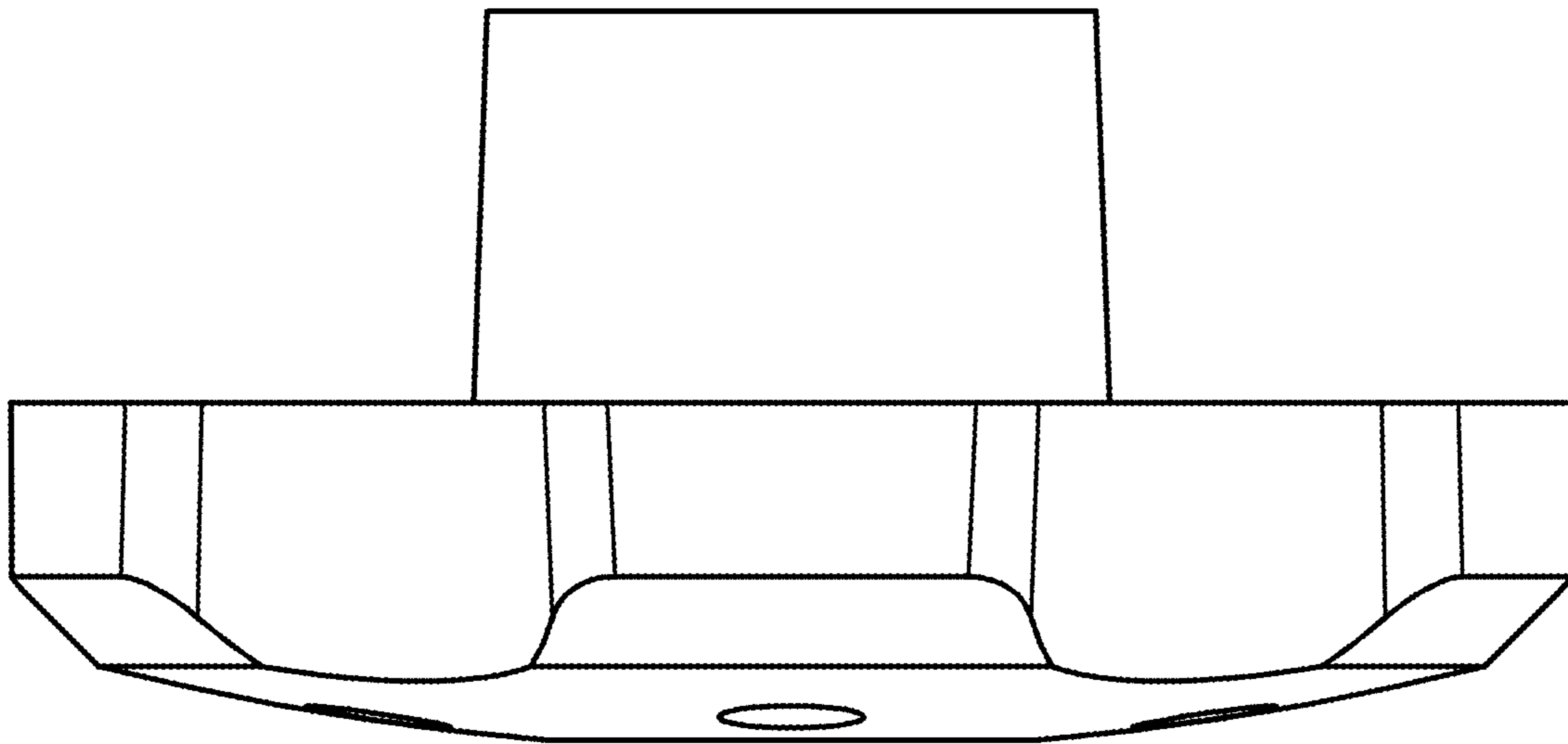


FIG 2

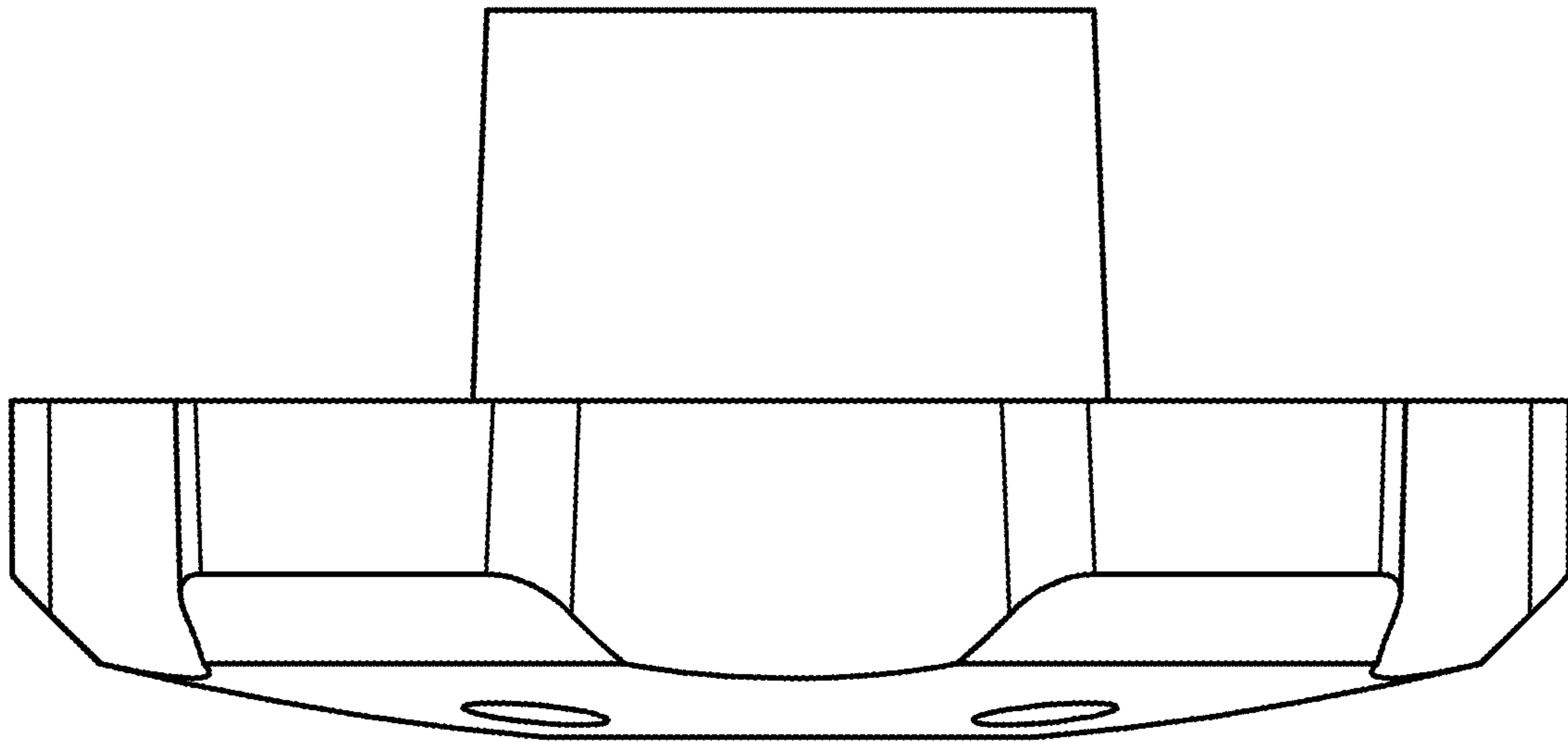


FIG 3

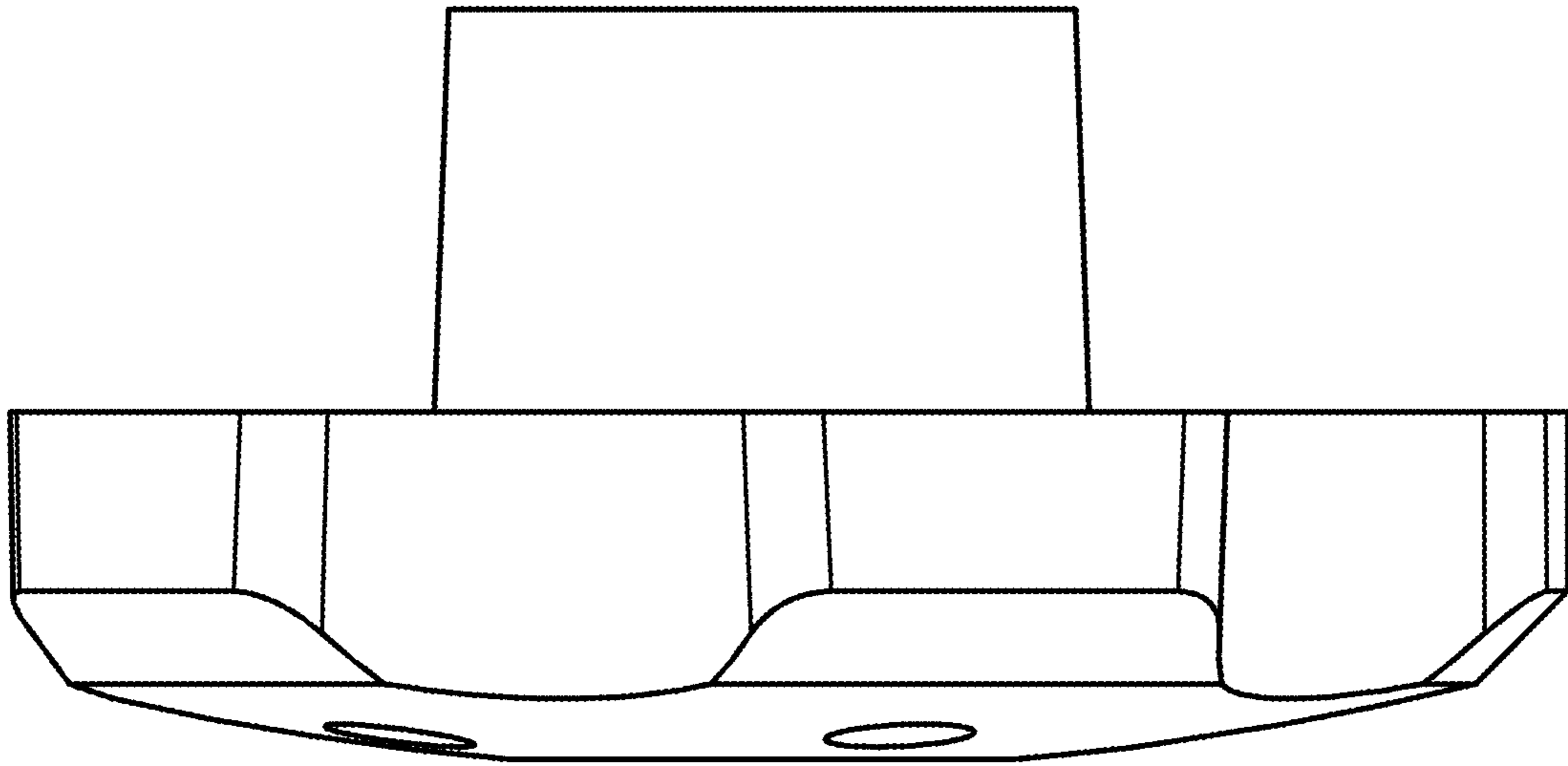


FIG 4

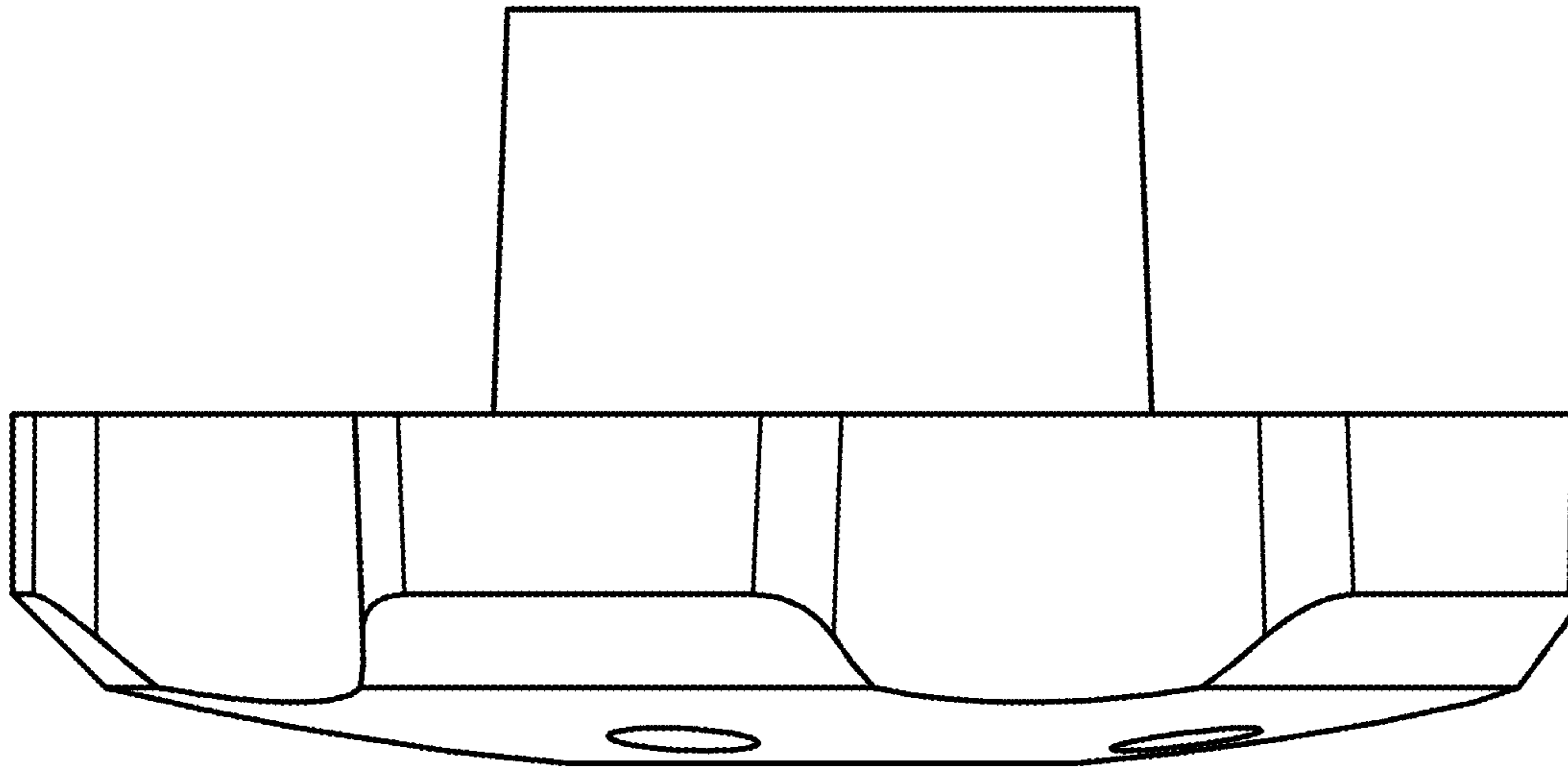


FIG 5

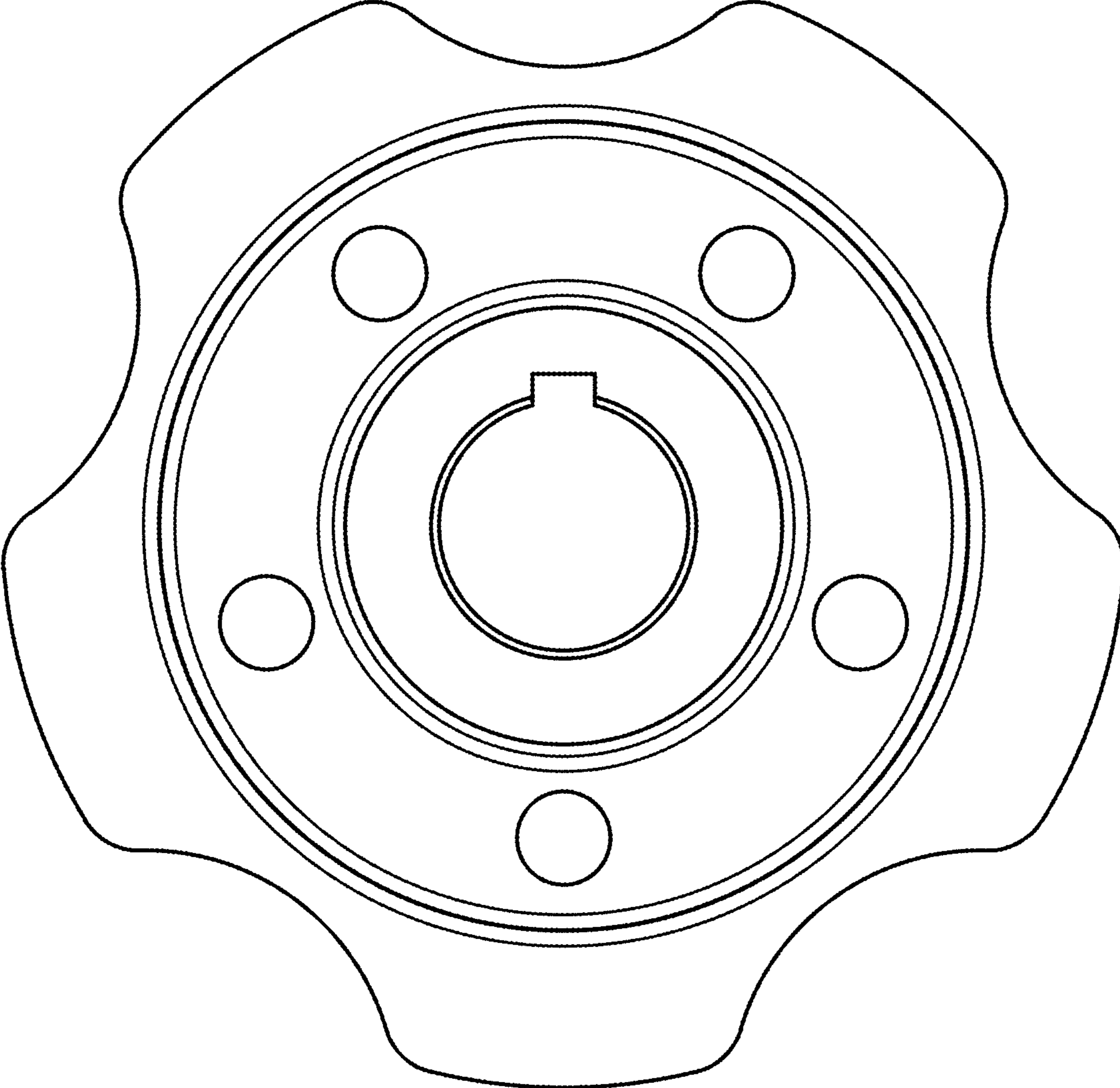


FIG 6



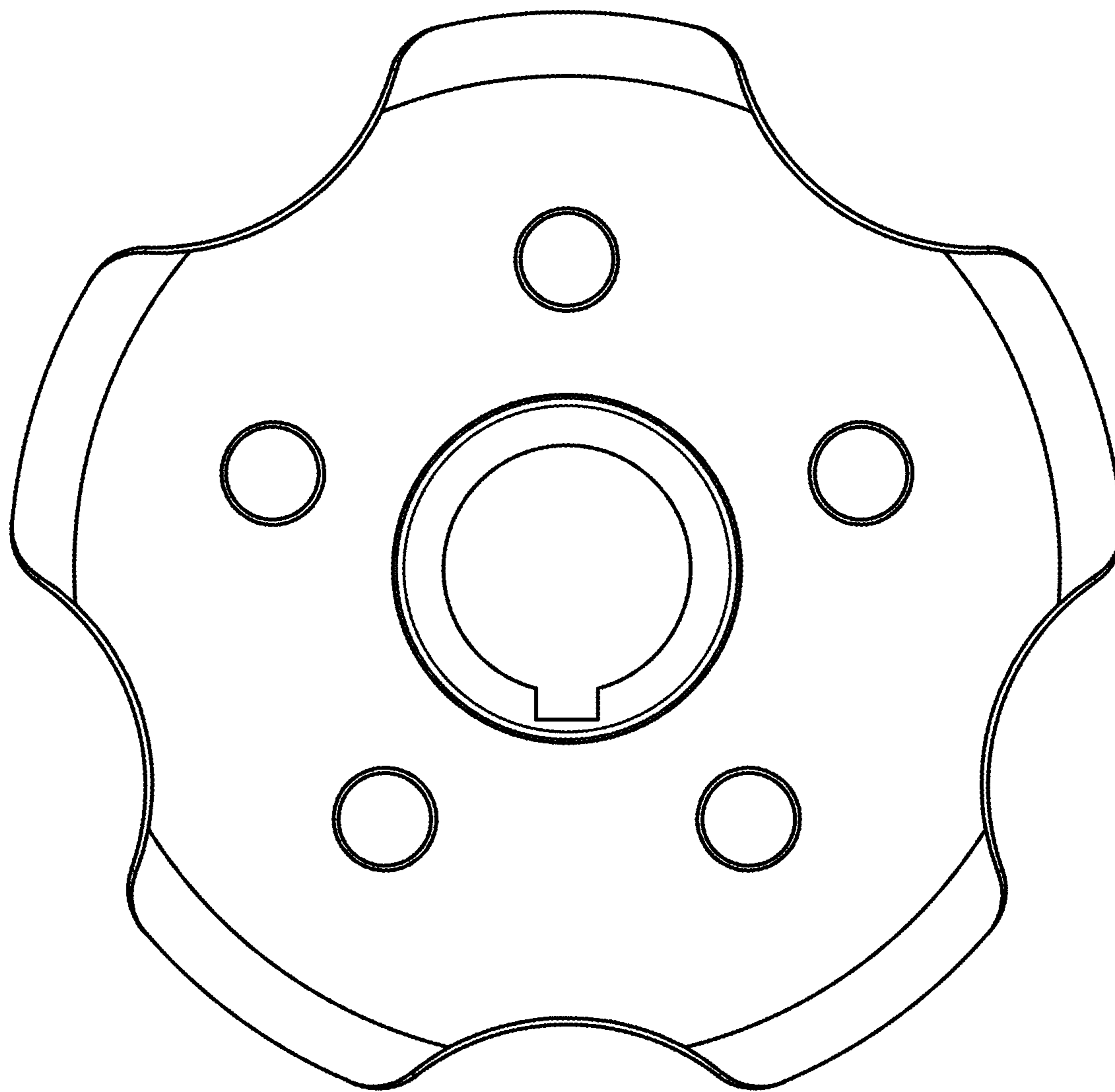


FIG 7

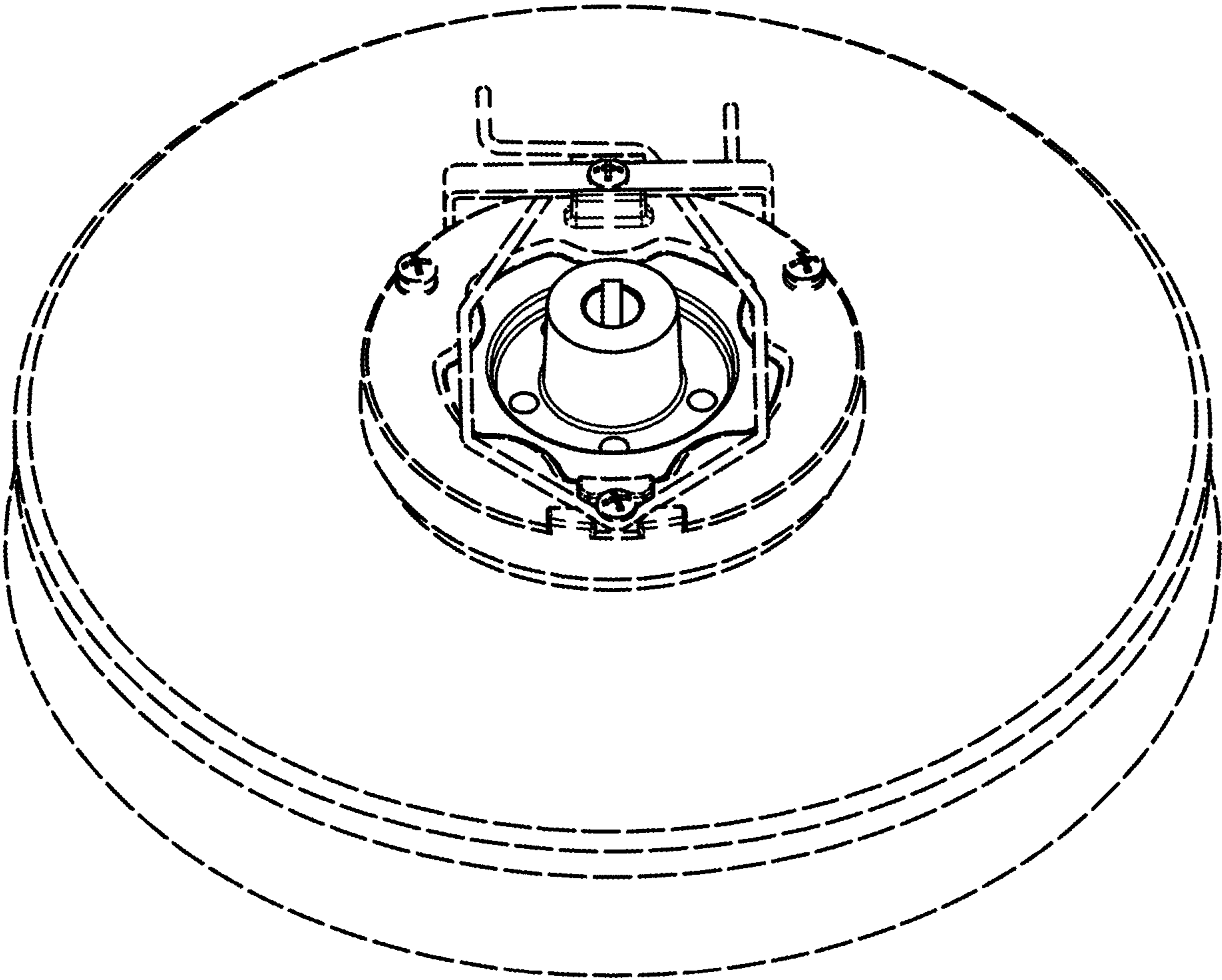


FIG 8