



US00D913611S

(12) **United States Design Patent**
Ma

(10) **Patent No.:** **US D913,611 S**
(45) **Date of Patent:** **** Mar. 16, 2021**

(54) **VACUUM CLEANER**

FOREIGN PATENT DOCUMENTS

(71) Applicant: **Suzhou Jimo Technology Co., Ltd,**
Suzhou (CN)

CN 304701539 * 6/2018
CN 304749438 * 7/2018
CN 305443340 * 11/2019

(72) Inventor: **Chaoliang Ma,** Suzhou (CN)

OTHER PUBLICATIONS

(73) Assignee: **SUZHOU JIMO TECHNOLOGY CO., LTD,** Suzhou (CN)

Kobalt 24V Cordless Handheld Vacuum, available in Lowes.com, customer review oldest date Jan. 11, 2019 [online], [site visited Oct. 20, 2020], Available from the internet URL: <https://www.lowes.com/pd/Kobalt-24-Volt-Max-3-Gallon-Cordless-Handheld-Wet-Dry-Shop-Vacuum-Battery-Not-Included/1000638925> (Year: 2019).*

(**) Term: **15 Years**

(Continued)

(21) Appl. No.: **29/743,637**

(22) Filed: **Jul. 23, 2020**

Primary Examiner — Dana K Weiland
Assistant Examiner — Jennylou M Binas

(30) **Foreign Application Priority Data**

Jul. 13, 2020 (CN) 202030377167.6

(51) **LOC (13) Cl.** **15-05**

(52) **U.S. Cl.**
USPC **D32/21**

(58) **Field of Classification Search**

USPC D32/21, 24, 31; D3/276, 294; D13/108;
D15/144
CPC A47L 5/24; A47L 5/28; A47L 5/30; A47L
5/34; A47L 7/0004; A47L 9/04; A47L
9/325; A47L 9/1683; A47L 11/30; A47L
11/302; A47L 11/34; A47L 11/4005;
A47L 11/4008; A47L 11/4016; A47L
11/4041; A47L 11/4044; B04C 5/185;
B08B 3/04; B23Q 11/0046; B23Q
11/0071; E04H 4/1636

See application file for complete search history.

(56) **References Cited**

U.S. PATENT DOCUMENTS

D565,297 S * 4/2008 Stevens D3/272
D578,757 S * 10/2008 Stevens D3/272
D636,547 S * 4/2011 Moore, Jr. D32/24

(Continued)

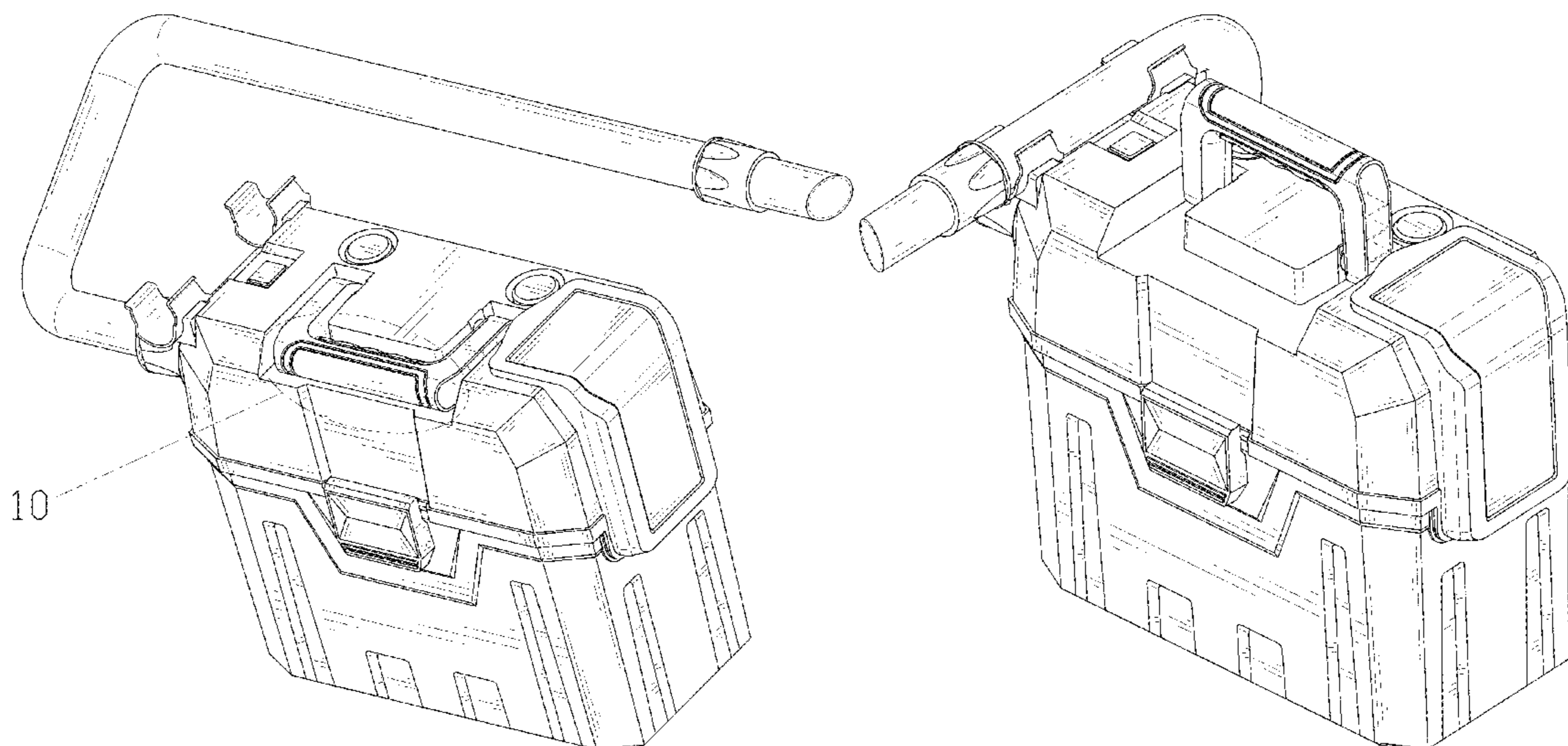
(57) **CLAIM**

The ornamental design for a vacuum cleaner, as shown and described.

DESCRIPTION

FIG. 1 is a perspective view of a vacuum cleaner showing my new design;
FIG. 2 is another perspective view thereof;
FIG. 3 is a front elevational view thereof;
FIG. 4 is a rear elevational view thereof;
FIG. 5 is a left side elevational view thereof;
FIG. 6 is a right side elevational view thereof;
FIG. 7 is a top plan view thereof;
FIG. 8 is a bottom plan view thereof;
FIG. 9 is a perspective view of the vacuum cleaner in a second state;
FIG. 10 is an enlarged view of the encircled portion 10 of FIG. 1; and,
FIG. 11 is an enlarged view of the encircled portion 11 of FIG. 2.
The broken lines in the drawings are for the purpose of illustrating portions of the vacuum cleaner that form no part of the claimed design.

1 Claim, 11 Drawing Sheets



(56)

References Cited

U.S. PATENT DOCUMENTS

D664,354 S * 7/2012 Crevling, Jr. D3/274
D738,105 S * 9/2015 Shitrit D3/276
D741,557 S * 10/2015 Young D32/21
D742,081 S * 10/2015 Young D32/21
D798,010 S 9/2017 Cui et al.
D830,013 S 10/2018 Lee et al.
D873,019 S * 1/2020 Seibert D3/294
D882,951 S * 5/2020 Austin D3/294
D905,359 S * 12/2020 Sun D32/21
2013/0183111 A1 * 7/2013 Lerch B23Q 11/0046
408/56
2019/0380549 A1 * 12/2019 Liu B01D 46/2411

OTHER PUBLICATIONS

Vacmaster DVTB204 0201, available in Amazon.com, date first available Mar. 25, 2019 [online], [site visited Jan. 22, 2021], Available from the internet URL: [https://www.amazon.com/Vacmaster-Pro-Cordless-20V-Wet/dp/B07Q1DFSGY/ref=psdc_\(Year: 2019\).](https://www.amazon.com/Vacmaster-Pro-Cordless-20V-Wet/dp/B07Q1DFSGY/ref=psdc_(Year: 2019).)*
Masterforce FlexPower, available in Amazon.com, date first available Aug. 3, 2020 [online], [site visited Jan. 22, 2021], Available internet URL: <https://www.amazon.com/Masterforce-FlexPower-Gallon-20-Volt-Cordless/dp/B08F5KZ479> (Year: 2020).*

* cited by examiner

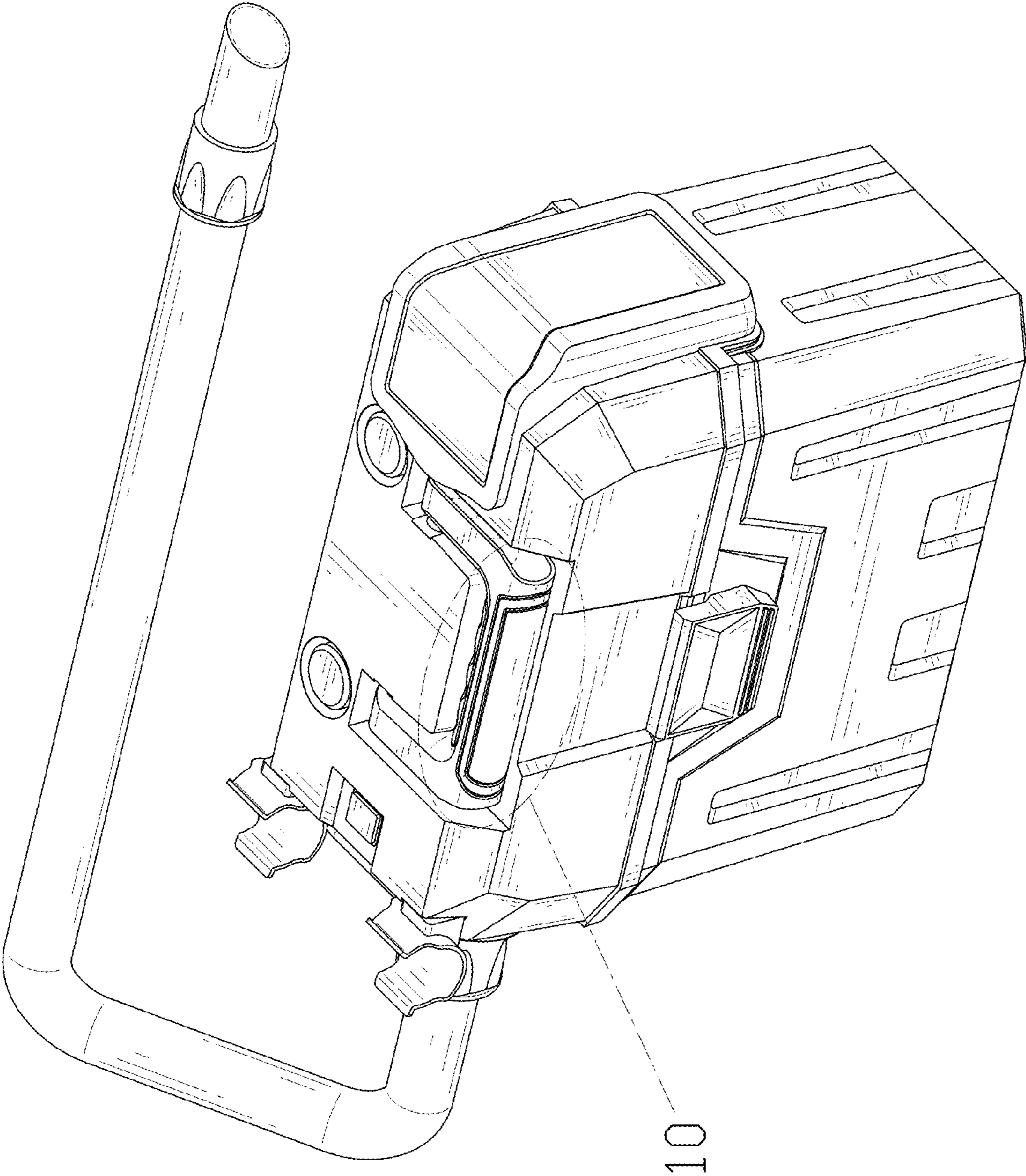


FIG. 1

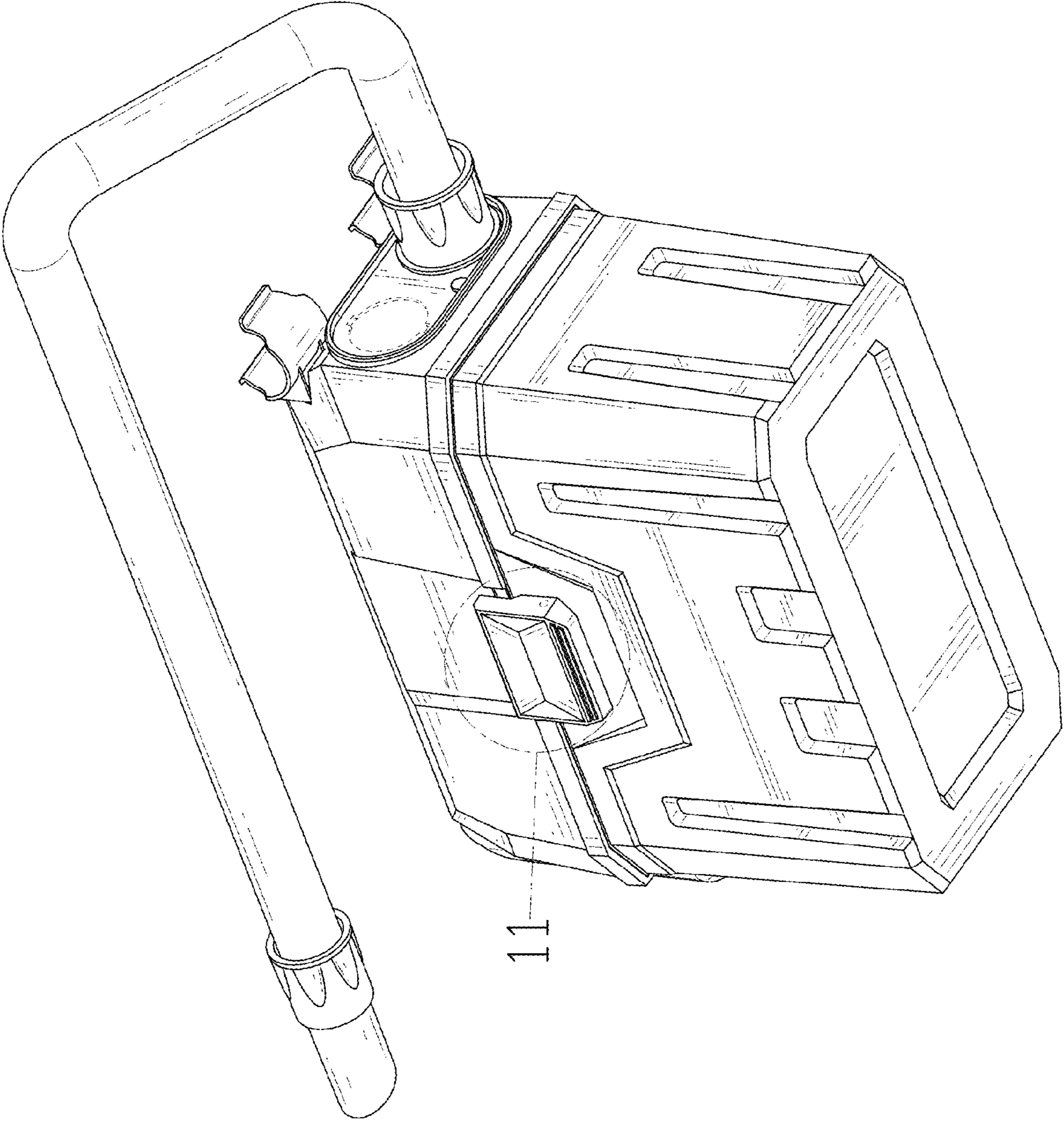


FIG. 2

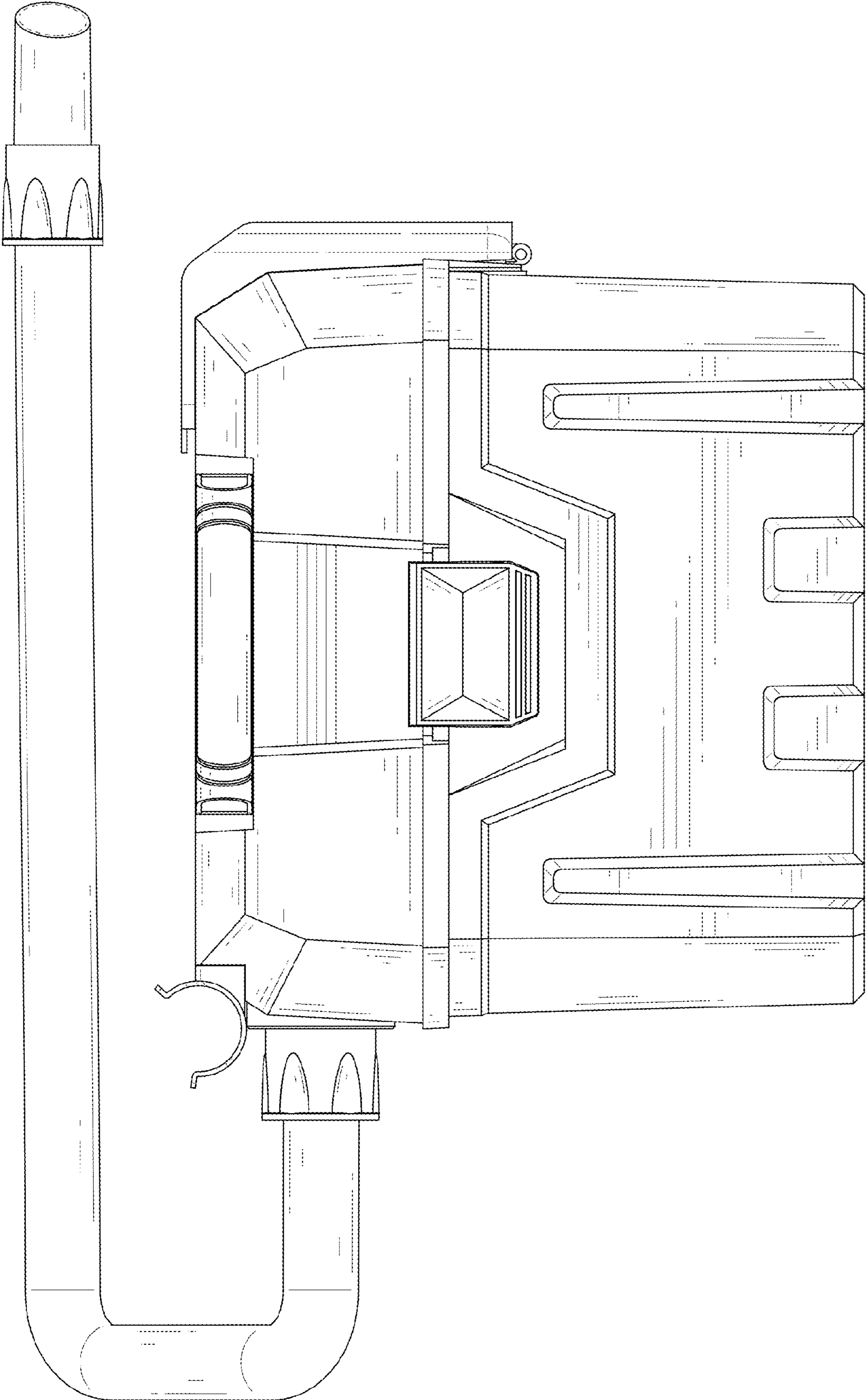


FIG. 3

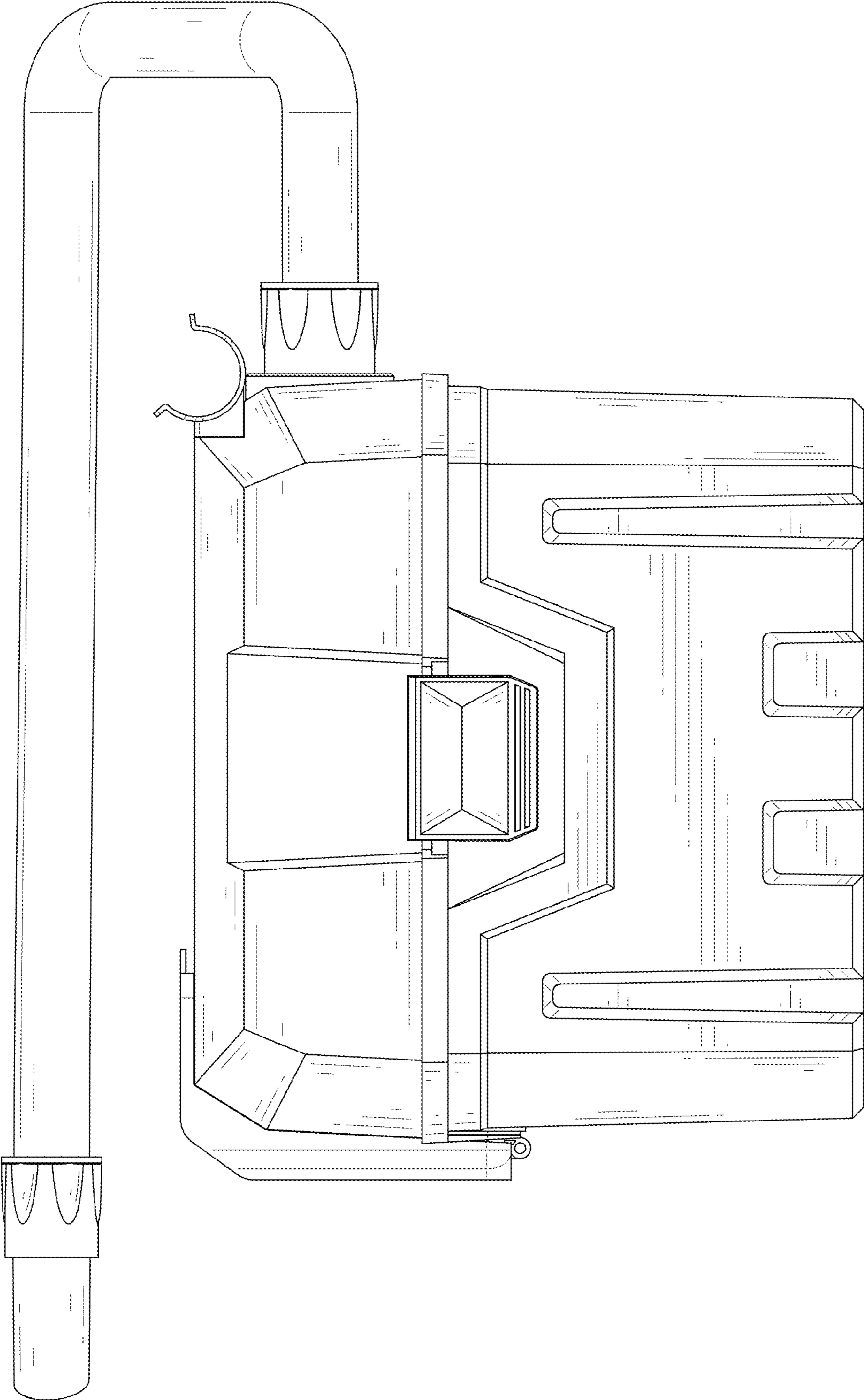


FIG. 4

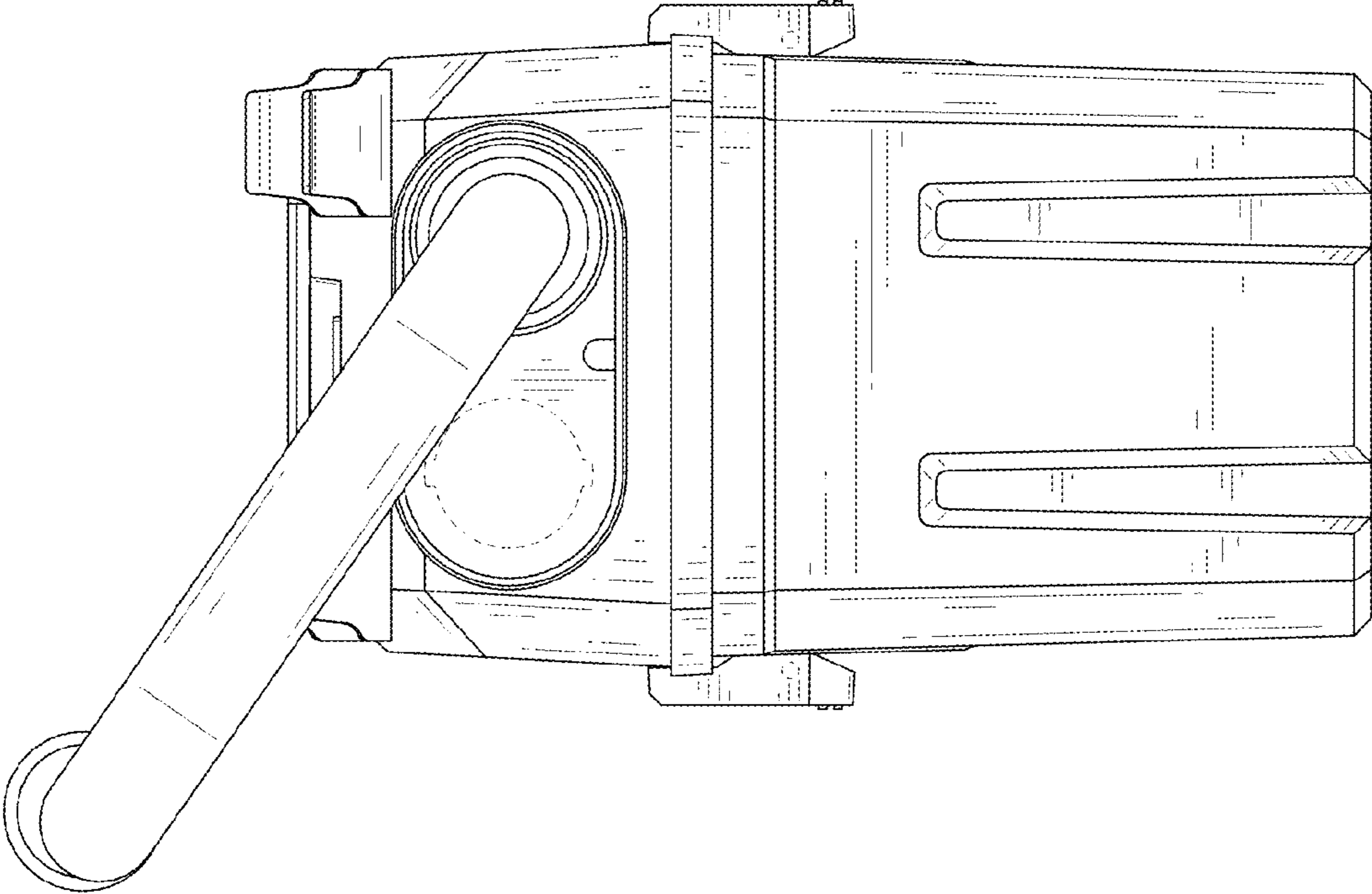


FIG. 5

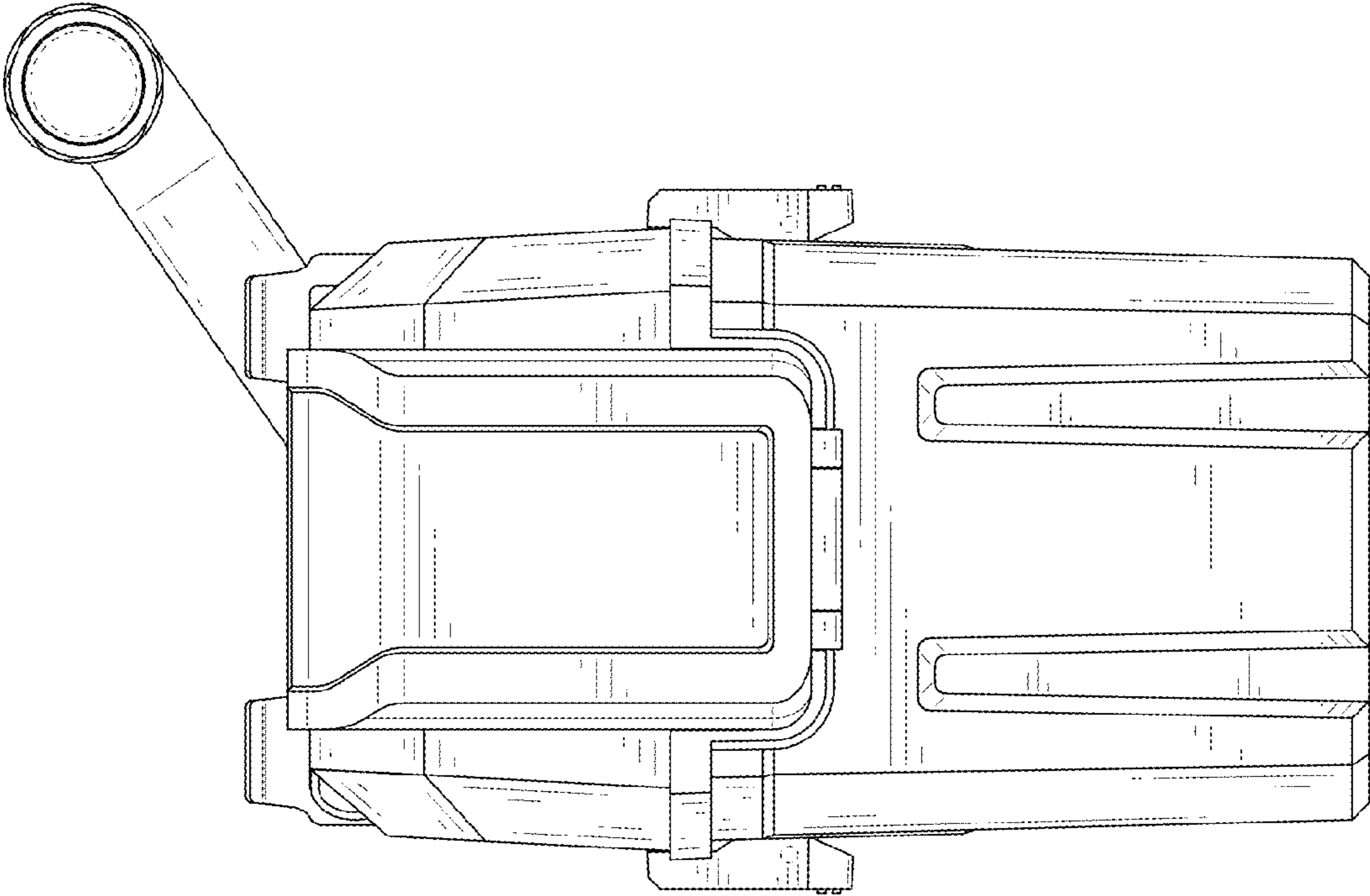


FIG. 6

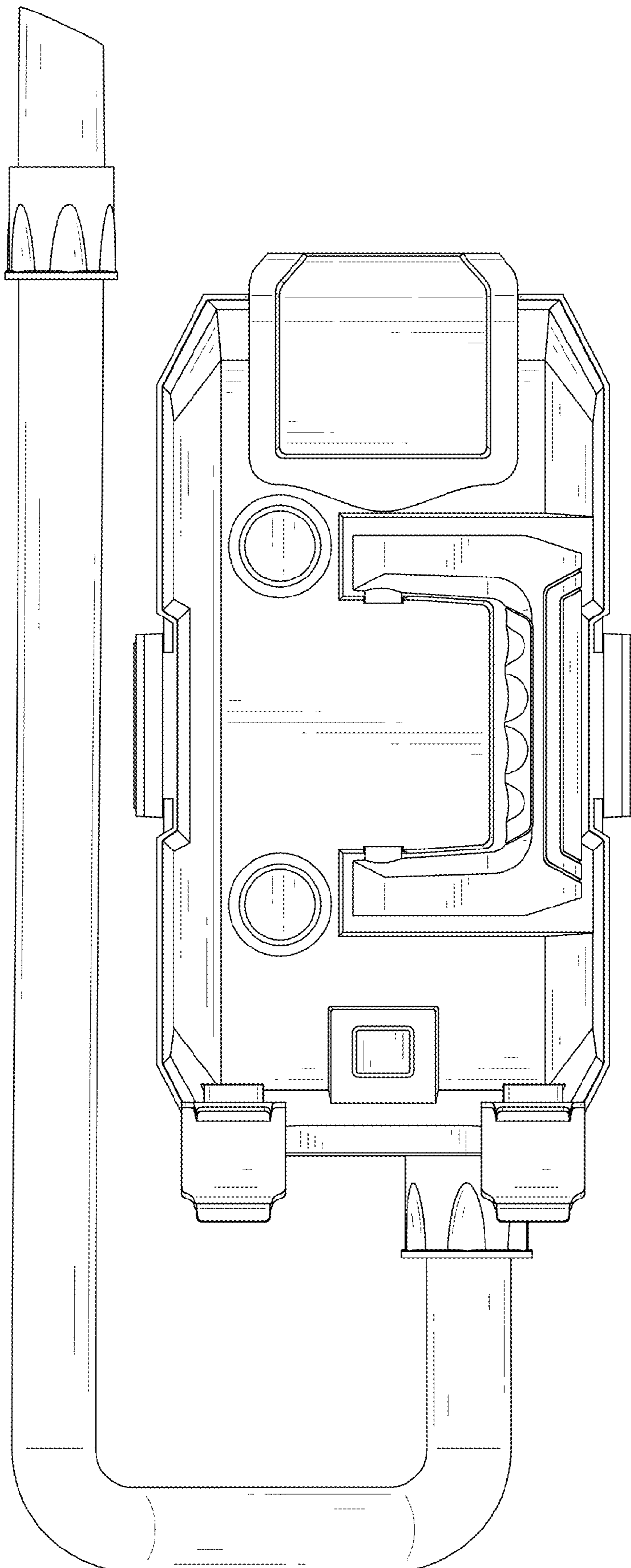


FIG. 7

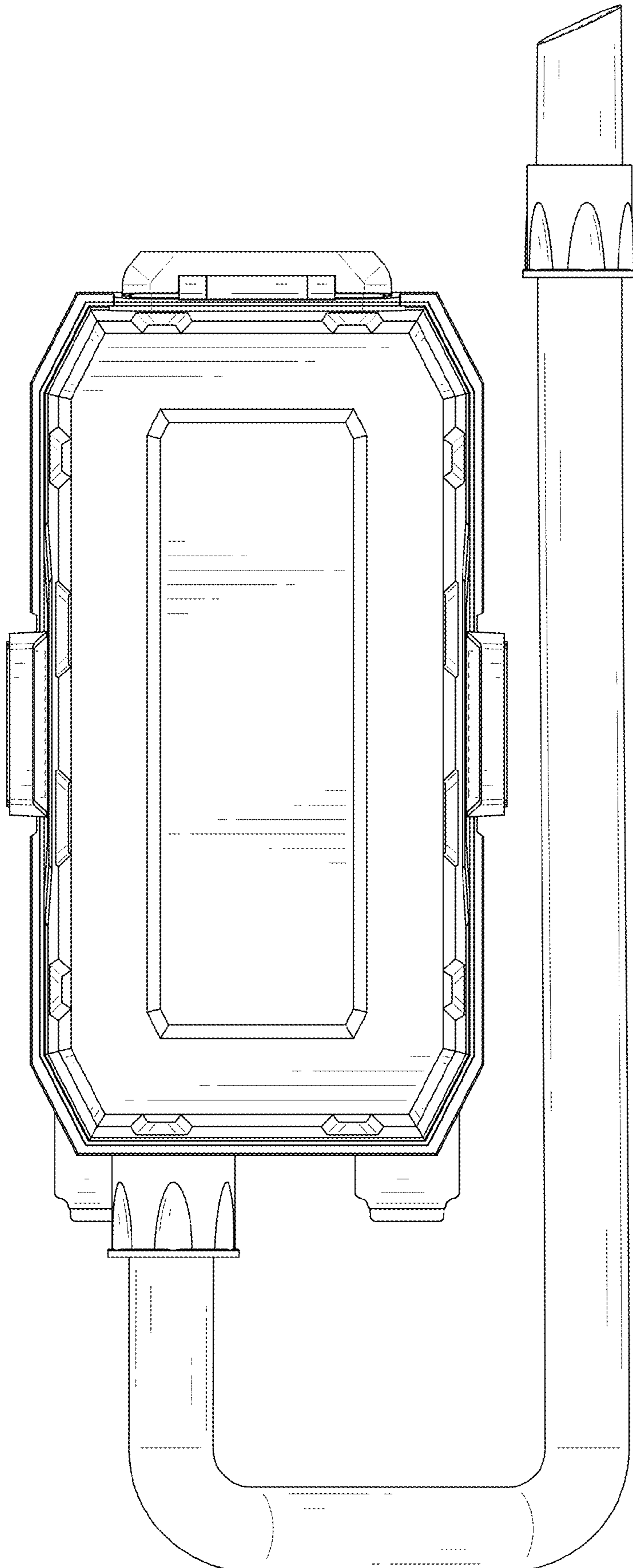


FIG. 8

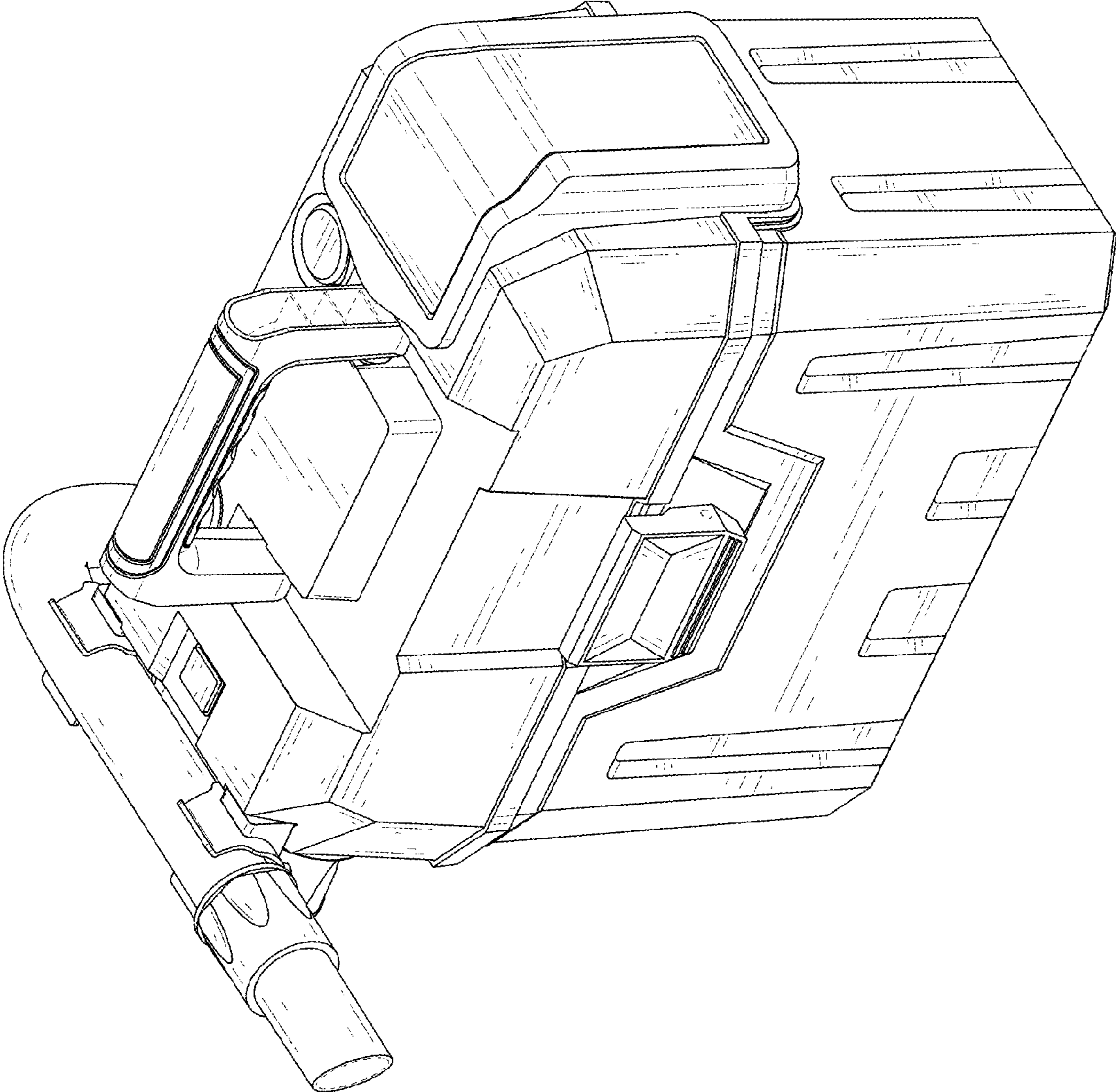


FIG. 9

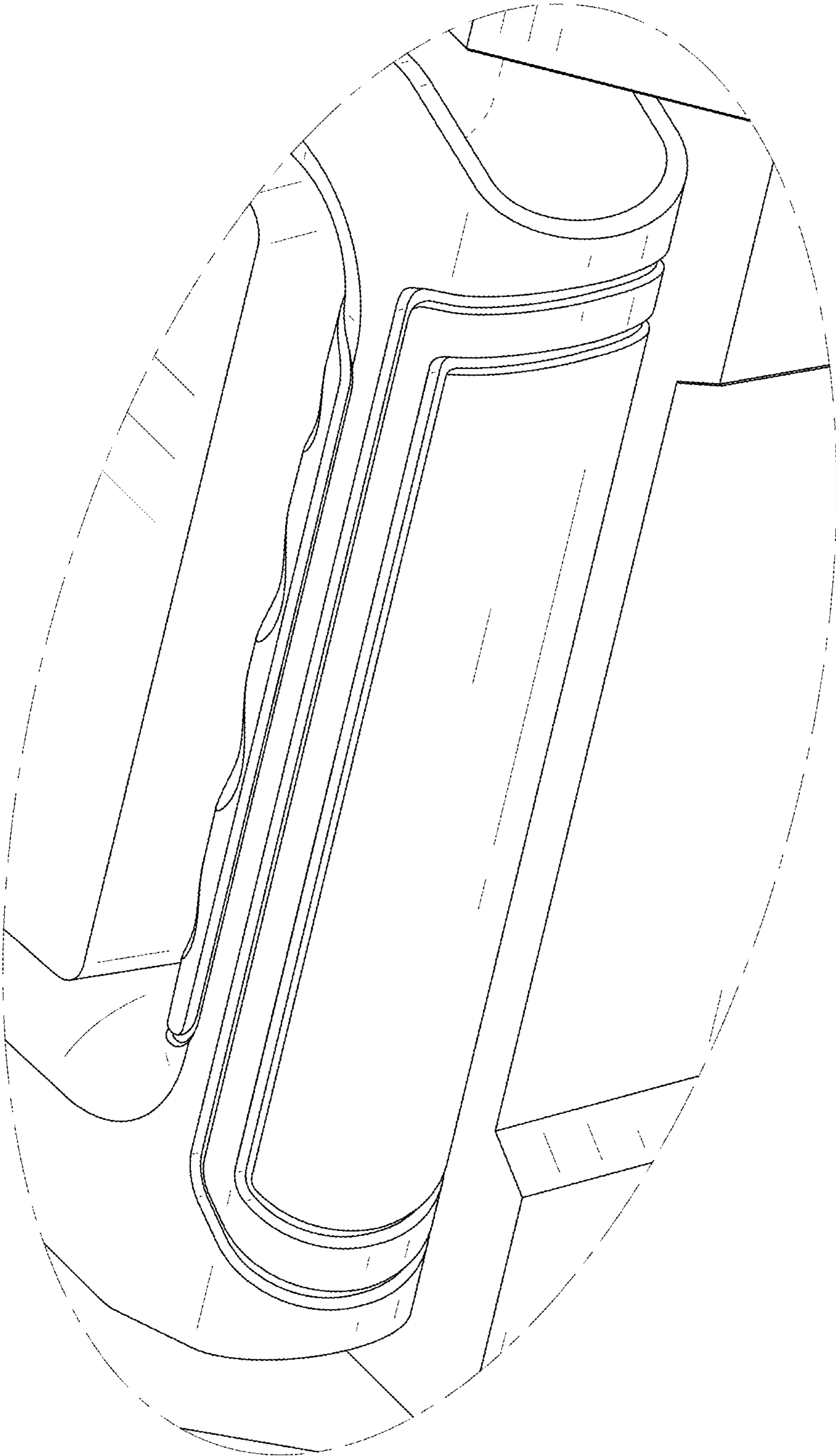


FIG. 10

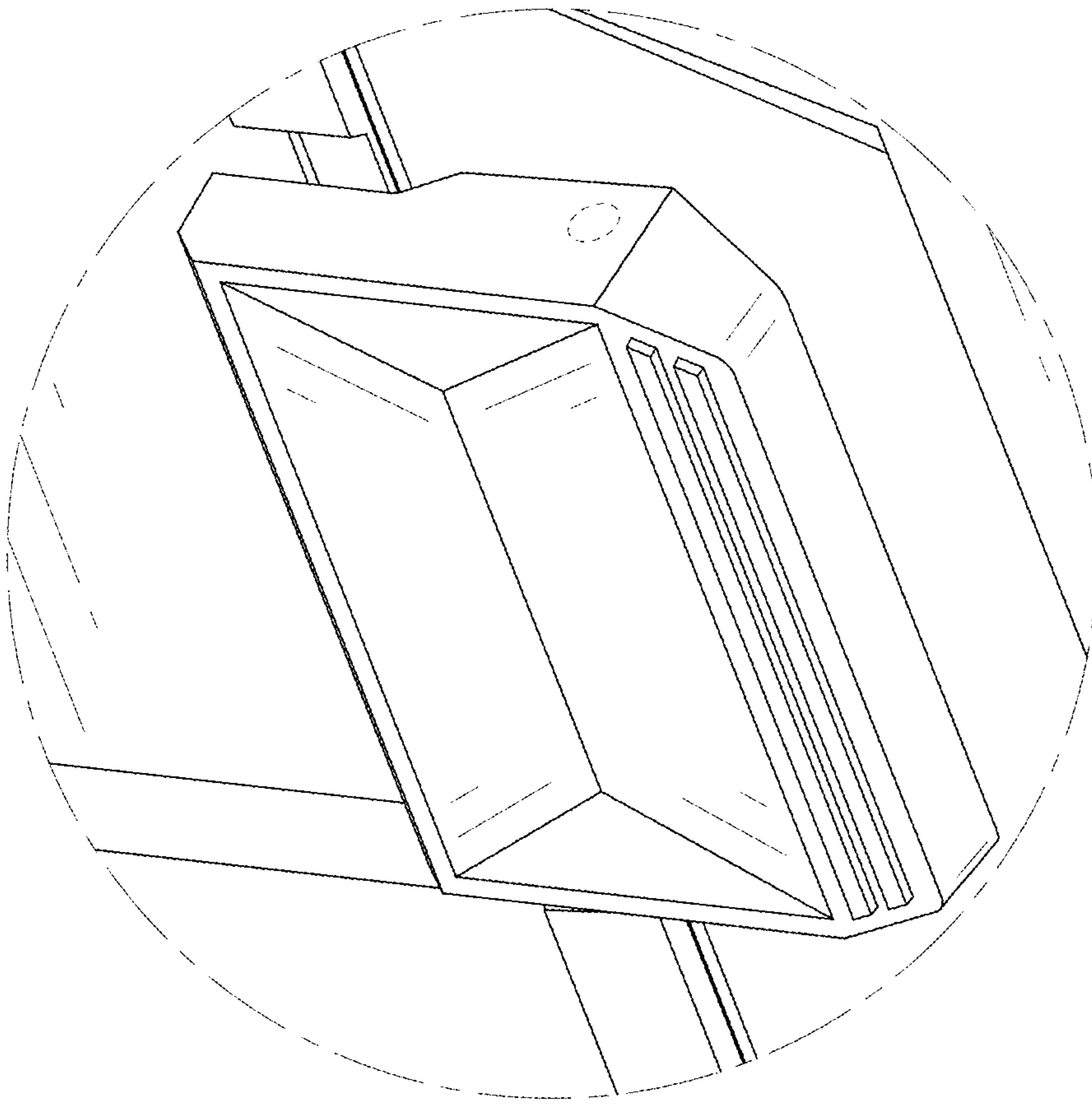


FIG. 11