



US00D913610S

(12) **United States Design Patent**
Jiang et al.

(10) **Patent No.:** **US D913,610 S**
(45) **Date of Patent:** **** Mar. 16, 2021**

- (54) **WASHING MACHINE**
- (71) Applicant: **BEIJING XIAOMI MOBILE SOFTWARE CO., LTD.**, Beijing (CN)
- (72) Inventors: **Jing Jiang**, Beijing (CN); **Lei Zhang**, Beijing (CN); **Ningning Li**, Beijing (CN)
- (73) Assignee: **BEIJING XIAOMI MOBILE SOFTWARE CO., LTD.**, Beijing (CN)
- (**) Term: **15 Years**
- (21) Appl. No.: **35/507,212**
- (22) Filed: **Sep. 28, 2018**
- (80) **Hague Agreement Data**
Int. Filing Date: **Sep. 28, 2018**
Int. Reg. No.: **DM/202147**
Int. Reg. Date: **Sep. 28, 2018**
Int. Reg. Pub. Date: **Aug. 9, 2019**

- (30) **Foreign Application Priority Data**
Mar. 28, 2018 (CN) 201830119217.3
- (51) **LOC (13) Cl.** **15-05**
- (52) **U.S. Cl.**
USPC **D32/6**
- (58) **Field of Classification Search**
USPC ... D32/1, 2, 3, 6, 7, 8, 9, 10, 11, 12, 25, 26, D32/27, 35, 29, 29.1
CPC D06F 17/00; D06F 17/02; D06F 17/04; D06F 13/00; D06F 13/02; D06F 13/04; D06F 13/06; D06F 13/08; D06F 17/06; D06F 17/08; D06F 17/10; D06F 17/12
See application file for complete search history.

- (56) **References Cited**
U.S. PATENT DOCUMENTS
D91,569 S * 2/1934 McCabe D32/29
D101,548 S * 10/1936 Morgenstern D32/29
D626,300 S * 10/2010 Lee D32/6

- D706,999 S * 6/2014 Cho D32/6
 - D732,767 S * 6/2015 Ha D32/25
 - D769,553 S * 10/2016 Lee D32/6
- (Continued)

FOREIGN PATENT DOCUMENTS

CN 201730397745 * 8/2017

OTHER PUBLICATIONS

Architonic, Washing Machine Spirit Eco WA4800 by Schulthess Maschinen, launched 2015, [online], [visited Jun. 15, 2020], Internet, <URL: <https://www.architonic.com/en/product/schulthess-maschinen-washing-machine-spirit-eco-wa-4800/1463097>> (Year: 2015).*

Primary Examiner — Michelle E. Wilson
Assistant Examiner — Samantha N Wood

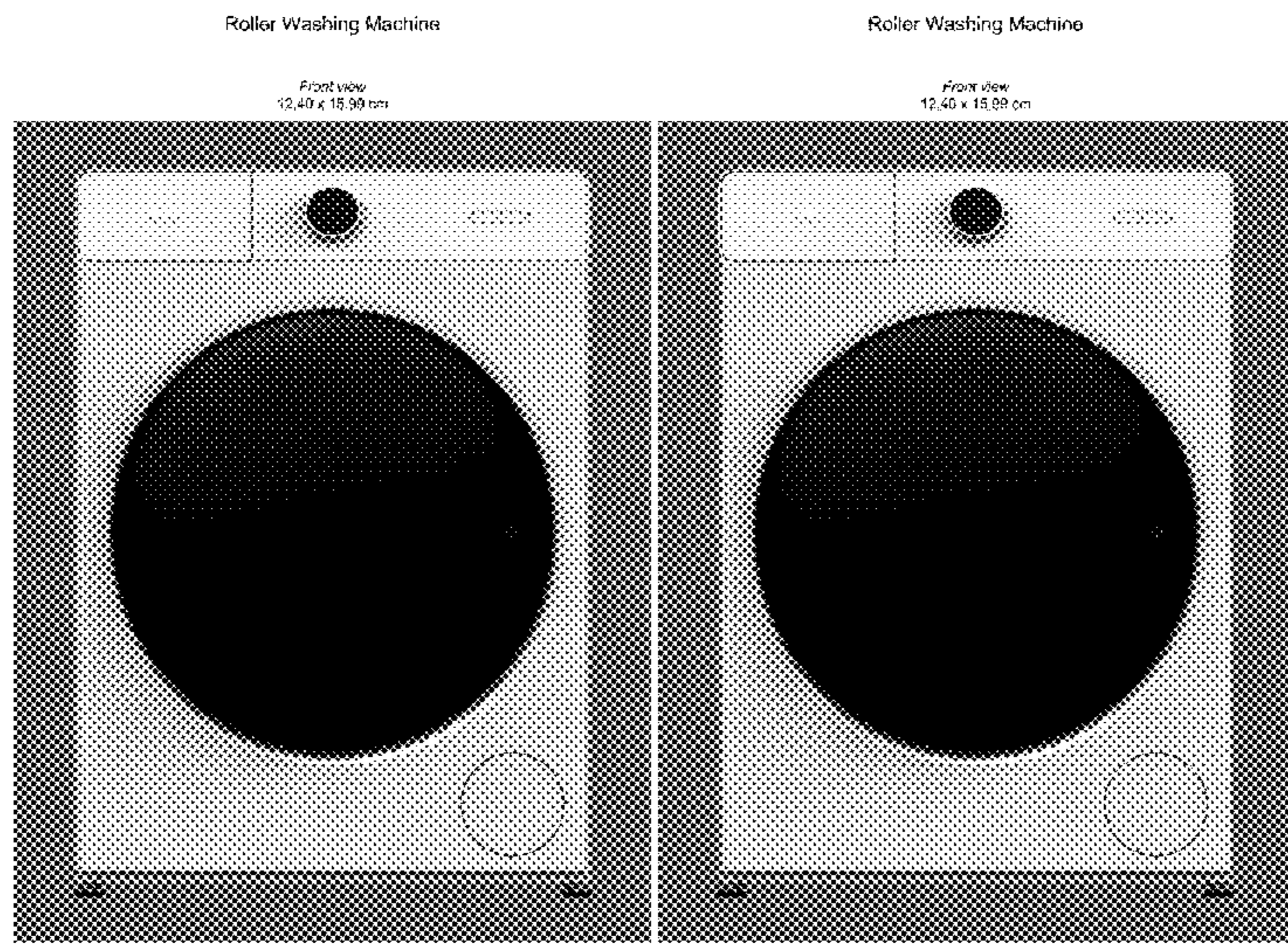
(74) *Attorney, Agent, or Firm* — Dickinson Wright PLLC

(57) **CLAIM**
The ornamental design for a washing machine, as shown and described.

DESCRIPTION

- 1.-3. Washing machine
- 1.1 : Front
- 1.2 : Back
- 1.3 : Left
- 1.4 : Right
- 1.5 : Top
- 1.6 : Bottom
- 1.7 : Perspective
- 2.1 : Front
- 2.2 : Back
- 2.3 : Left
- 2.4 : Right
- 2.5 : Top
- 2.6 : Bottom
- 2.7 : Perspective
- 3.1 : Perspective shown in usage state of 2.7

1 Claim, 15 Drawing Sheets



(56)

References Cited

U.S. PATENT DOCUMENTS

D852,440 S * 6/2019 Huang D32/6
D869,792 S * 12/2019 Lee D32/6
D871,691 S * 12/2019 Lee D32/6

* cited by examiner

1.1
Roller Washing Machine
1.1.jpg

Front view
12,40 x 15,99 cm



1.2
Roller Washing Machine
1.2.jpg

Back view
12,40 x 15,99 cm



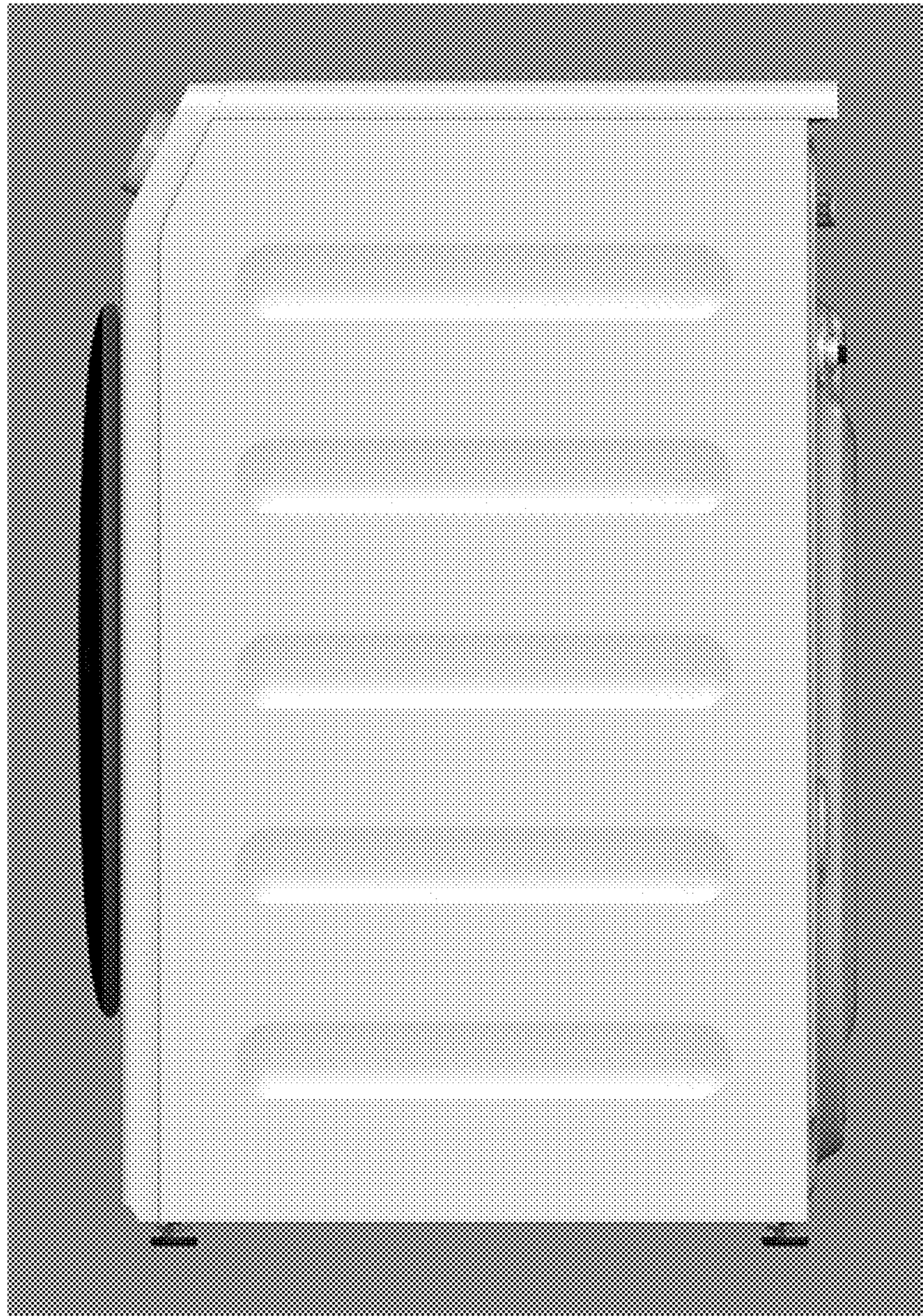
1.3
Roller Washing Machine
1.3.jpg

Left view
11,19 x 15,99 cm



1.4
Roller Washing Machine
1.4.jpg

Right view
11,19 x 15,99 cm



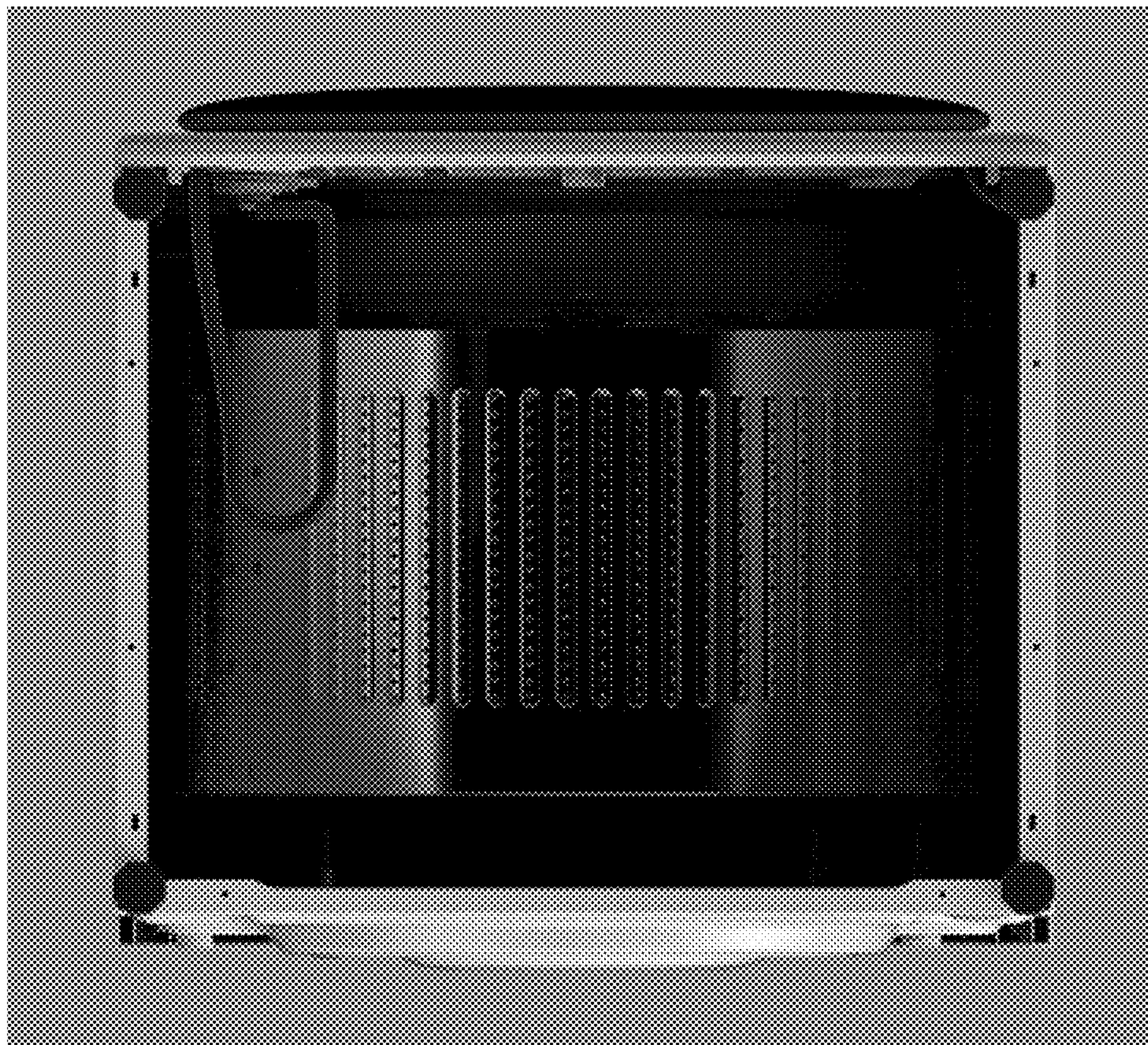
1.5
Roller Washing Machine
1.5.jpg

Top view
12,40 x 11,20 cm



1.6
Roller Washing Machine
1.6.jpg

Bottom view
12,40 x 11,20 cm



1.7
Roller Washing Machine
1.7.jpg

Perspective view
13,59 x 15,99 cm



2.1
Roller Washing Machine
2.1.jpg

Front view
12,40 x 15,99 cm



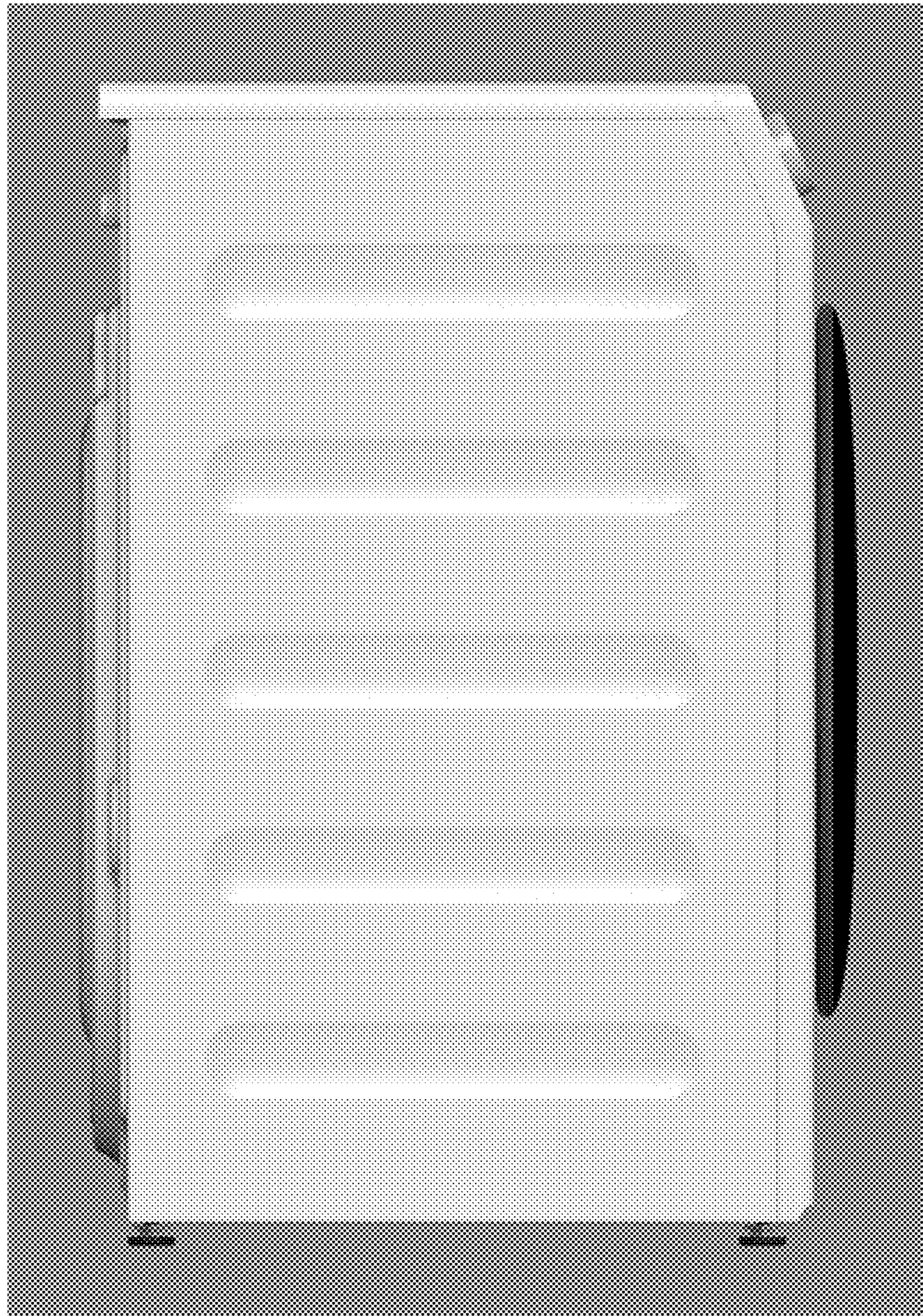
2.2
Roller Washing Machine
2.2.jpg

Back view
12,40 x 15,99 cm



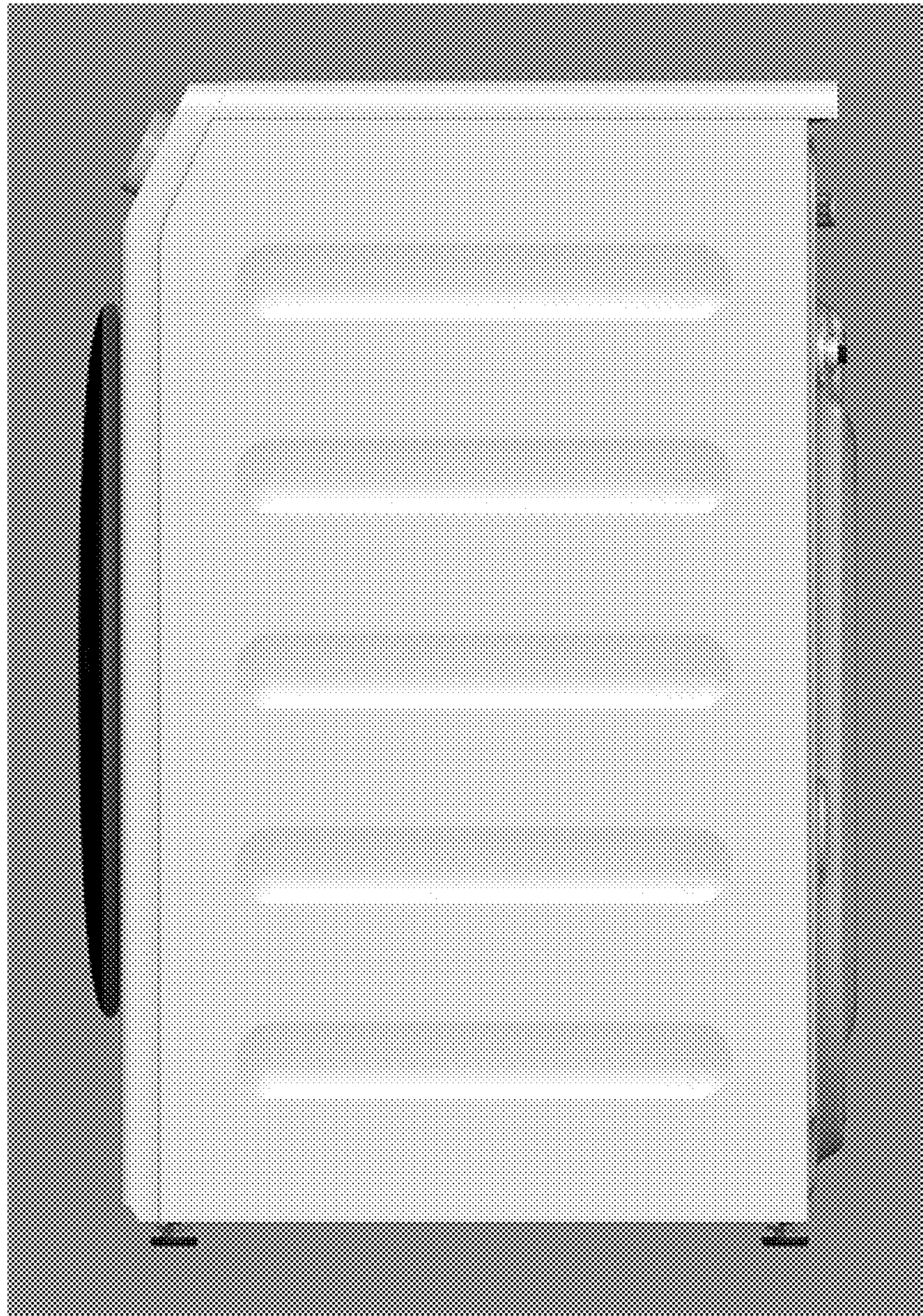
2.3
Roller Washing Machine
2.3.jpg

Left view
11,19 x 15,99 cm



2.4
Roller Washing Machine
2.4.jpg

Right view
11,19 x 15,99 cm



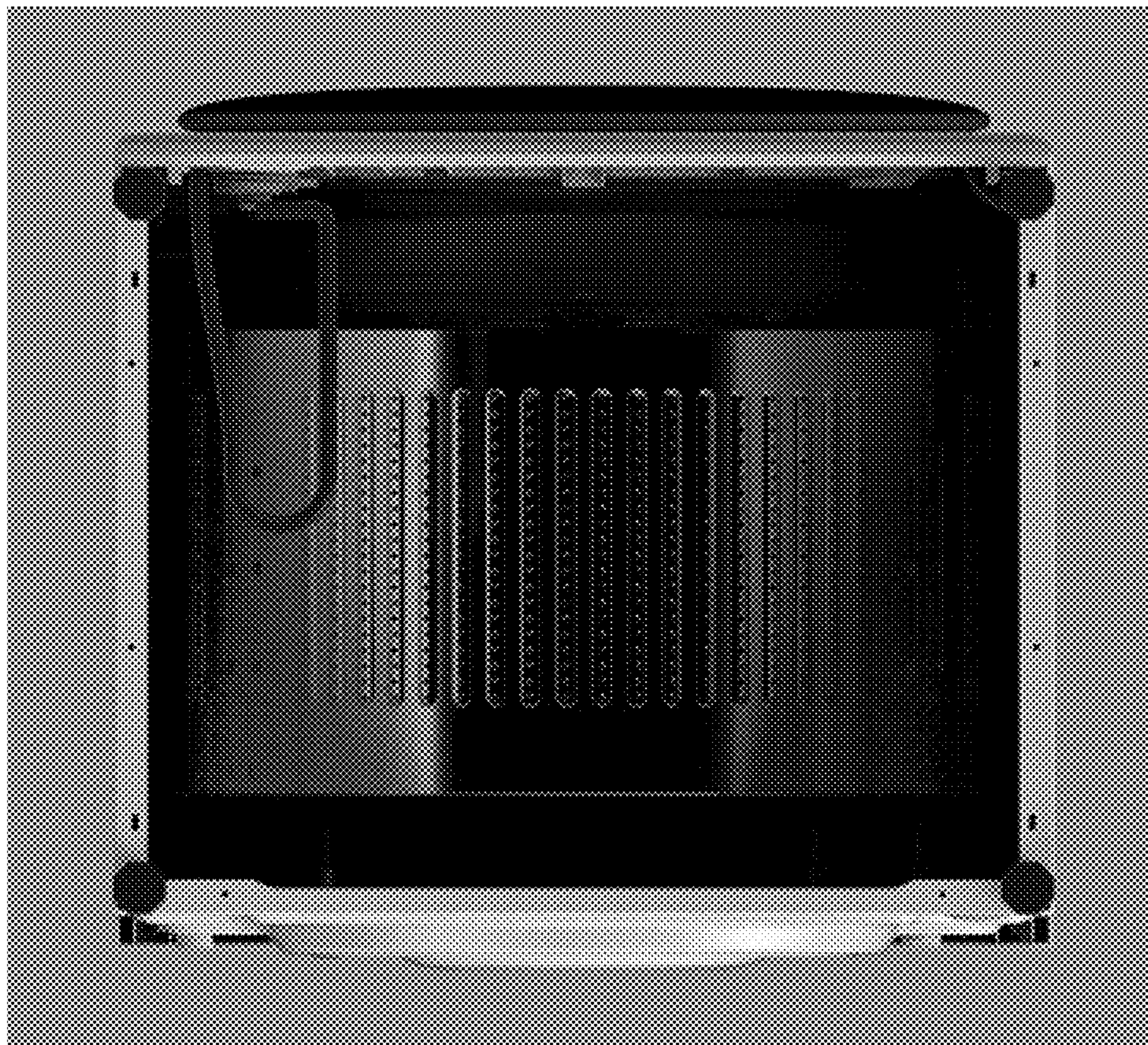
2.5
Roller Washing Machine
2.5.jpg

Top view
12,40 x 11,20 cm



2.6
Roller Washing Machine
2.6.jpg

Bottom view
12,40 x 11,20 cm



2.7
Roller Washing Machine
2.7.jpg

Perspective view
13,59 x 15,99 cm



3.1
Roller Washing Machine
3.1.jpg

Perspective view
15,99 x 15,99 cm

