



US00D913609S

(12) **United States Design Patent** (10) **Patent No.:** **US D913,609 S**  
**Yoon et al.** (45) **Date of Patent:** **\*\* Mar. 16, 2021**

(54) **WASHING MACHINE**

FOREIGN PATENT DOCUMENTS

(71) Applicant: **Samsung Electronics Co., Ltd.**,  
Suwon-si (KR)

CN 303075570 1/2015  
CN 303439835 11/2015

(Continued)

(72) Inventors: **Sanghoon Yoon**, Suwon-si (KR);  
**Myunggyu Kim**, Suwon-si (KR);  
**Jaejin Lee**, Suwon-si (KR)

OTHER PUBLICATIONS

(73) Assignee: **SAMSUNG ELECTRONICS CO., LTD.**, Gyeonggi-Do (KR)

Samsung Front Load Washing Machine, Home Depot website reviews Apr. 2019, [https://www.homedepot.com/p/Samsung-4-5-cu-ft-High-Efficiency-Champagne-Front-Load . . .](https://www.homedepot.com/p/Samsung-4-5-cu-ft-High-Efficiency-Champagne-Front-Load...) site visited Jun. 8, 2020.\*

(\*\*) Term: **15 Years**

*Primary Examiner* — John R Yeh

(21) Appl. No.: **29/684,195**

(74) *Attorney, Agent, or Firm* — Cantor Colburn LLP

(22) Filed: **Mar. 19, 2019**

(57) **CLAIM**

The ornamental design for a washing machine, as shown and described.

(30) **Foreign Application Priority Data**

**DESCRIPTION**

Nov. 19, 2018 (KR) ..... 30-2018-0053585

(51) **LOC (13) Cl.** ..... **15-05**

(52) **U.S. Cl.**  
USPC ..... **D32/6**

(58) **Field of Classification Search**  
USPC ..... D32/2-3, 5-7, 12-13, 25-29.1; D14/230  
CPC ..... A47L 15/42; A47L 15/00; B65D 47/06;  
D06F 23/06; D06F 37/26  
See application file for complete search history.

FIG. 1 is a front perspective view of a washing machine, showing our new design;  
FIG. 2 is a front view thereof;  
FIG. 3 is a rear view thereof;  
FIG. 4 is a left-side view thereof;  
FIG. 5 is a right-side view thereof;  
FIG. 6 is a top view thereof;  
FIG. 7 is a bottom view thereof;  
FIG. 8 is an enlarged view of the encircled portion '8' in FIG. 1;  
FIG. 9 is an enlarged view of the encircled portion '9' in FIG. 2;  
FIG. 10 is an enlarged view of the encircled portion '10' in FIG. 4; and,  
FIG. 11 is an enlarged view of the encircled portion '11' in FIG. 5.

(56) **References Cited**

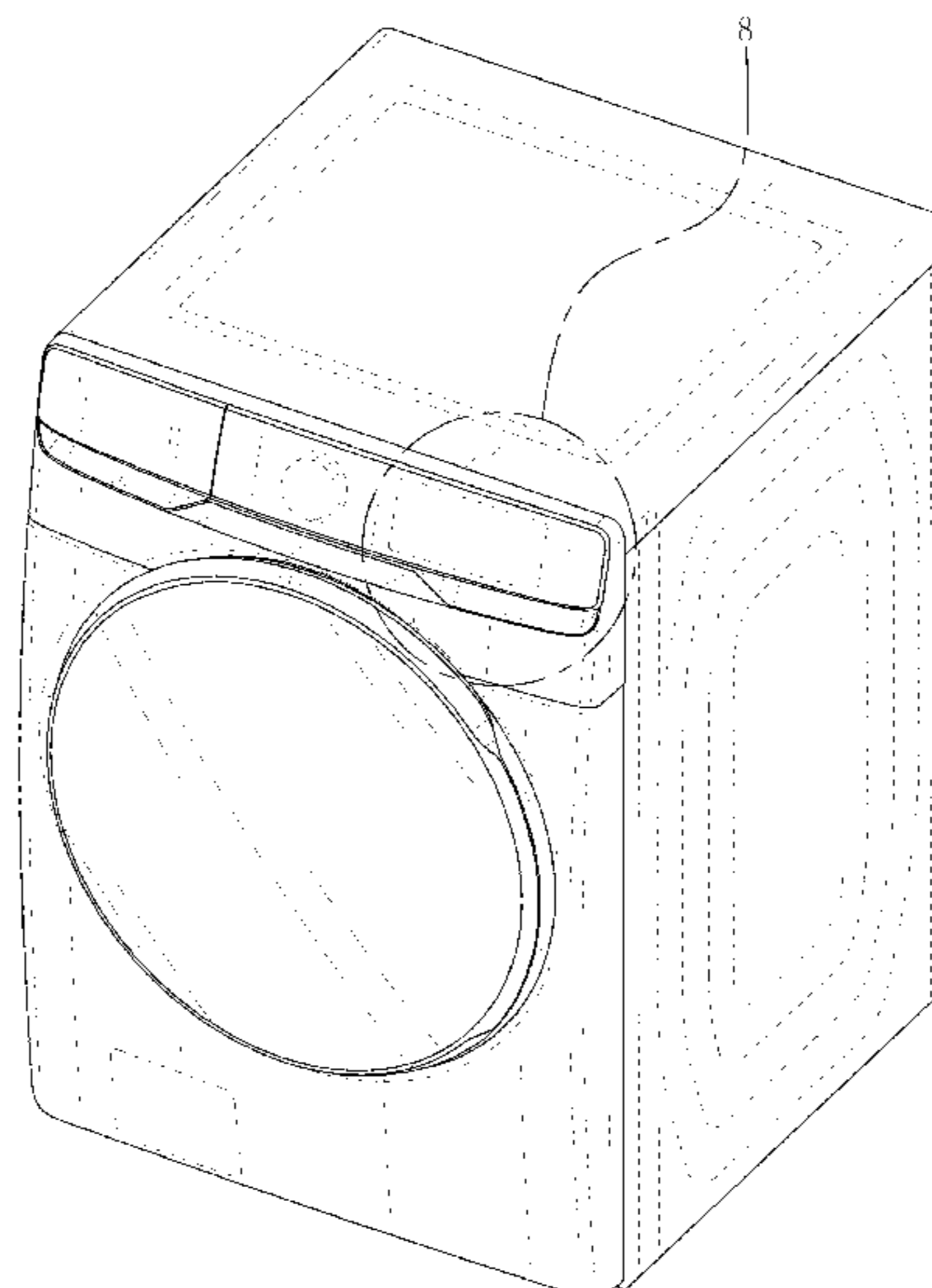
U.S. PATENT DOCUMENTS

D457,991 S \* 5/2002 Baldwin ..... D32/6  
D459,844 S \* 7/2002 Baldwin ..... D32/6  
D542,987 S \* 5/2007 Crookshanks ..... D32/6  
D582,105 S \* 12/2008 Cho ..... D32/6  
D620,648 S \* 7/2010 Grobleben ..... D32/3  
D695,472 S \* 12/2013 Borjesson ..... D32/6  
D703,884 S \* 4/2014 Ha ..... D32/6  
D729,996 S \* 5/2015 Hwang ..... D32/6

(Continued)

The even-dash broken lines illustrating portions of the washing machine form no part of the claimed design. The dot-dash broken lines encircling enlargement portions of the claimed design form no part of the claimed design.

**1 Claim, 11 Drawing Sheets**



(56)

**References Cited**

U.S. PATENT DOCUMENTS

D731,126	S	*	6/2015	Ha	.....	D32/6
D731,127	S	*	6/2015	Ha	.....	D32/6
D731,128	S	*	6/2015	Ha	.....	D32/6
D732,763	S	*	6/2015	Hwang	.....	D32/6
D735,424	S	*	7/2015	Ha	.....	D32/6
D735,425	S	*	7/2015	Choi	.....	D32/6
D773,755	S	*	12/2016	Hwang	.....	D32/6
D773,757	S	*	12/2016	Hwang	.....	D32/6
D778,009	S	*	1/2017	Roberson	.....	D32/3
D785,256	S	*	4/2017	Yoon	.....	D32/25
D785,257	S	*	4/2017	Kim	.....	D32/25
D785,881	S	*	5/2017	Yoon	.....	D32/25
D858,011	S	*	8/2019	Xie	.....	D32/6
D860,552	S	*	9/2019	Roberson	.....	D32/3
2004/0244435	A1	*	12/2004	Kim	.....	D06F 39/14
						68/12.26
2012/0036900	A1	*	2/2012	Hong	.....	D06F 39/14
						68/139

FOREIGN PATENT DOCUMENTS

DM	089880		12/2015
DM	092194		1/2016
DM	093902		10/2016
KR	301022959.0000	*	9/2019
KR	301022963.0000	*	9/2019

\* cited by examiner

FIG. 1

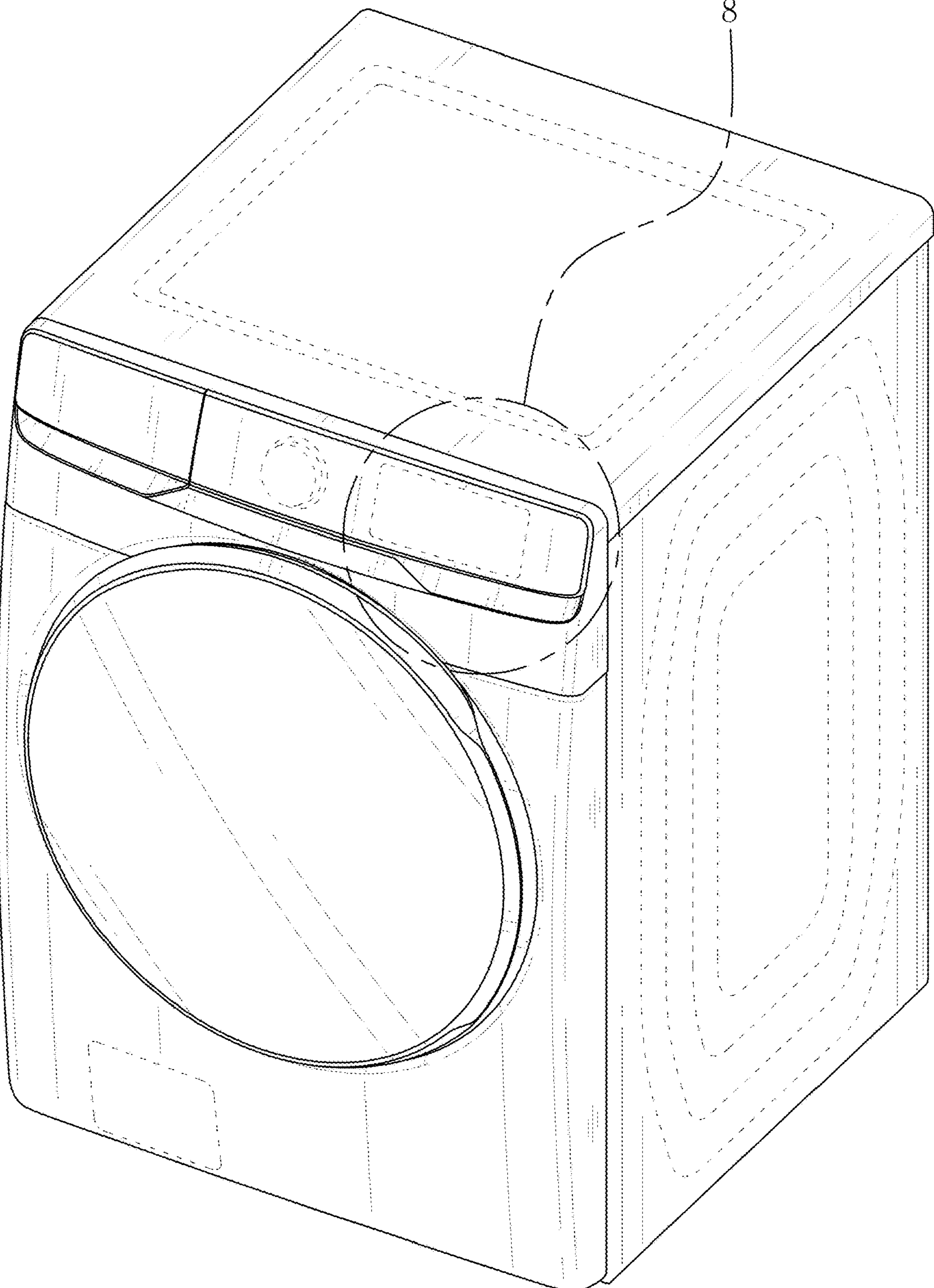


FIG. 2

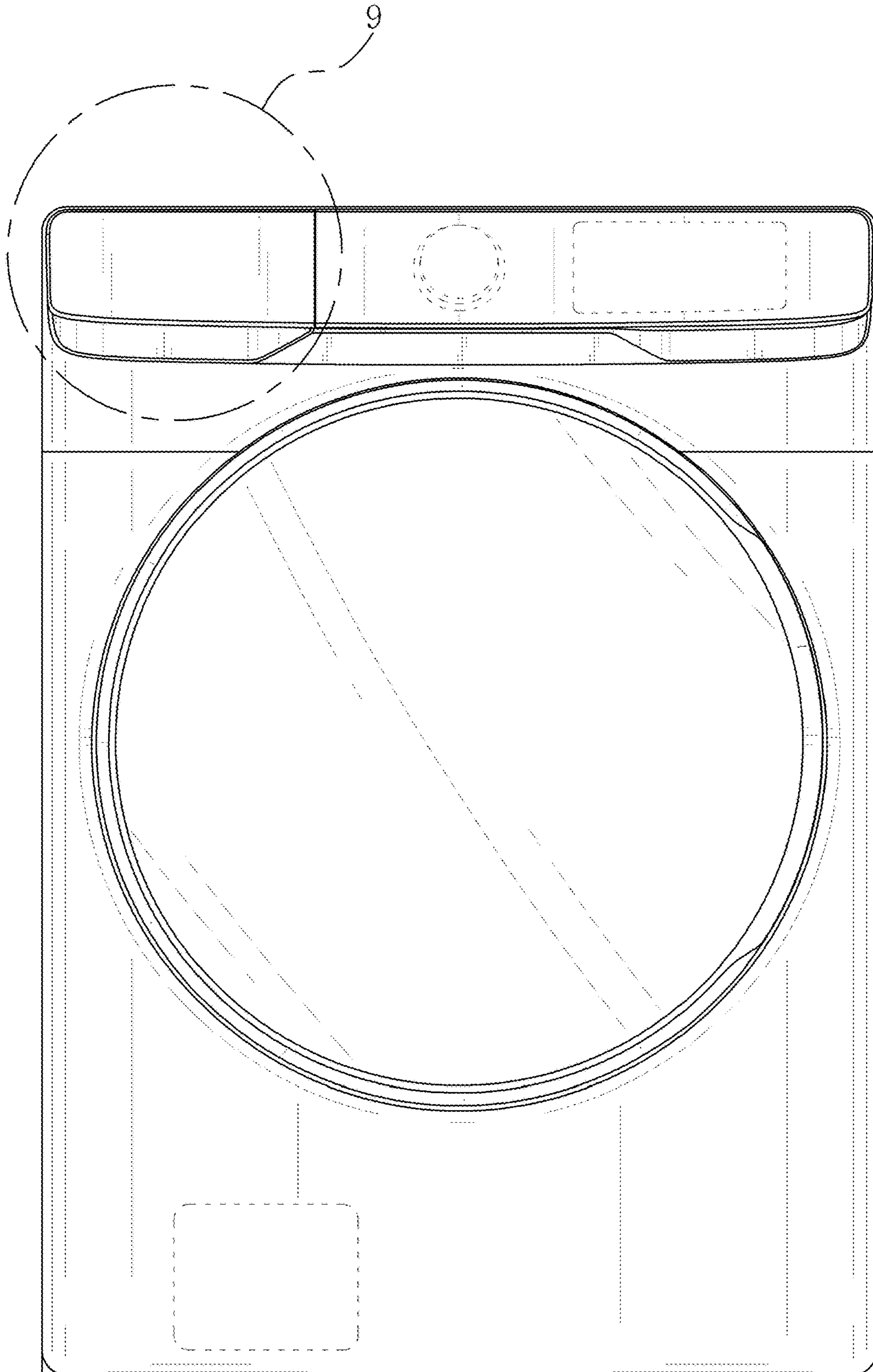




FIG. 3

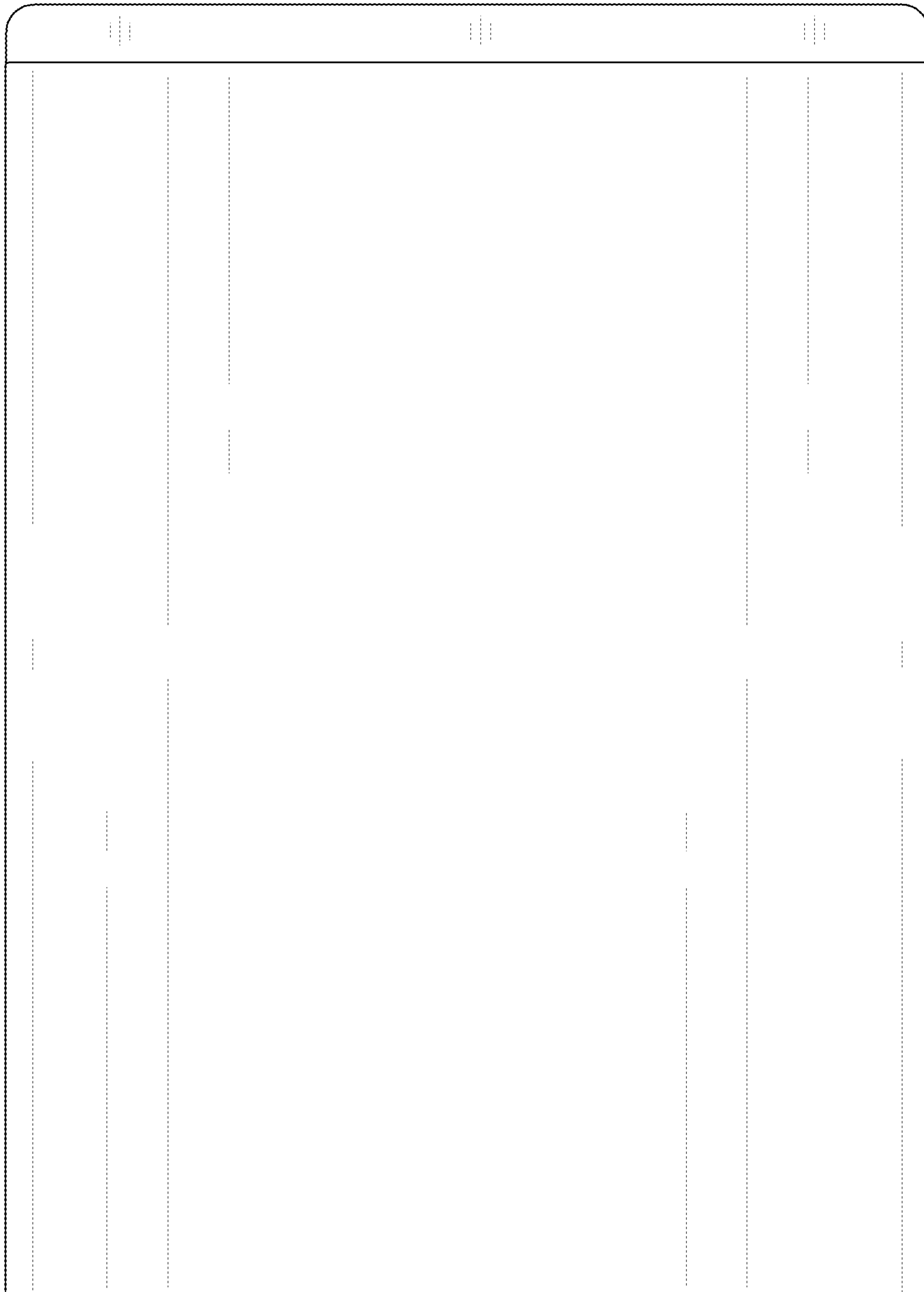


FIG. 4

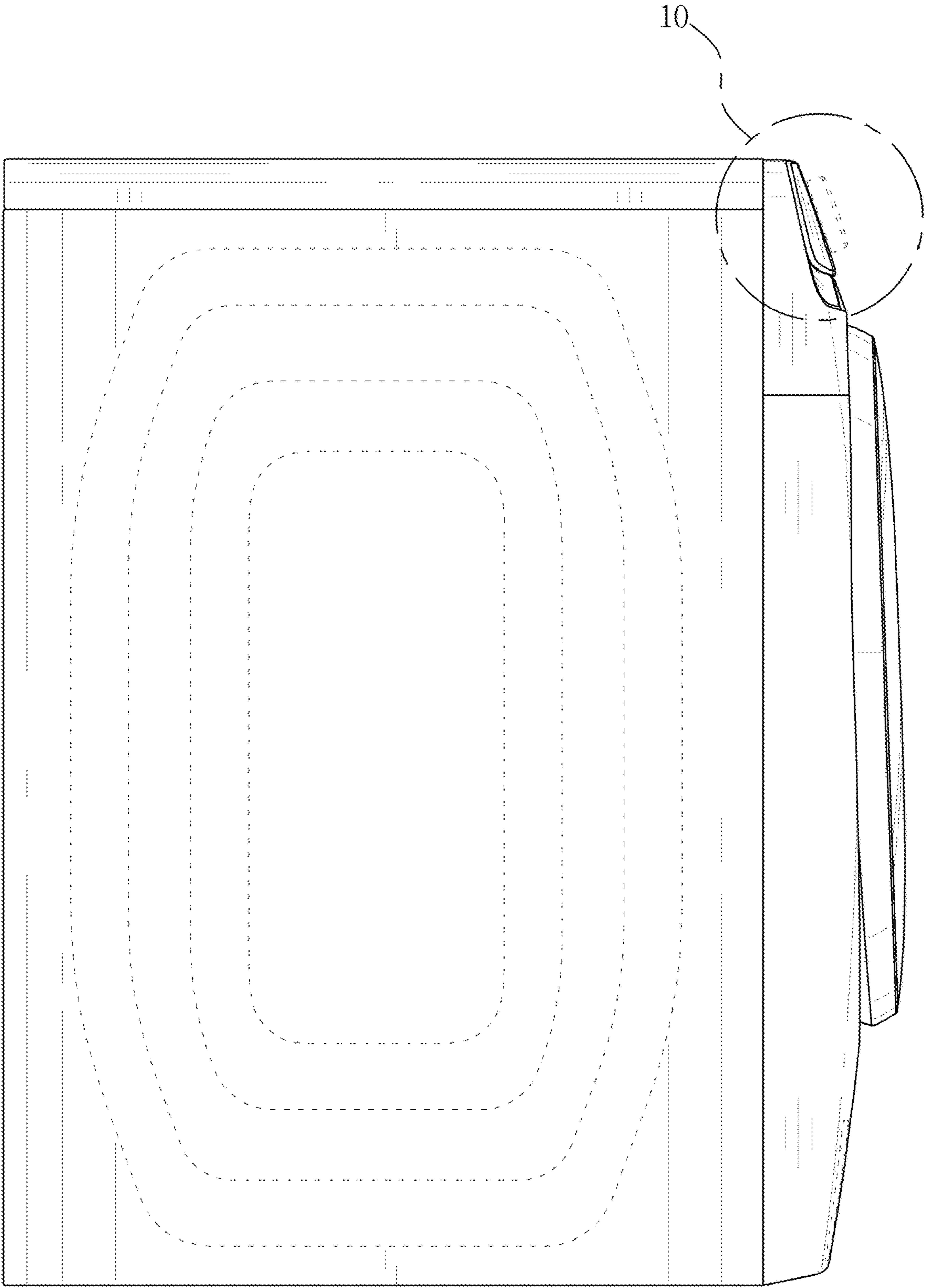


FIG. 5

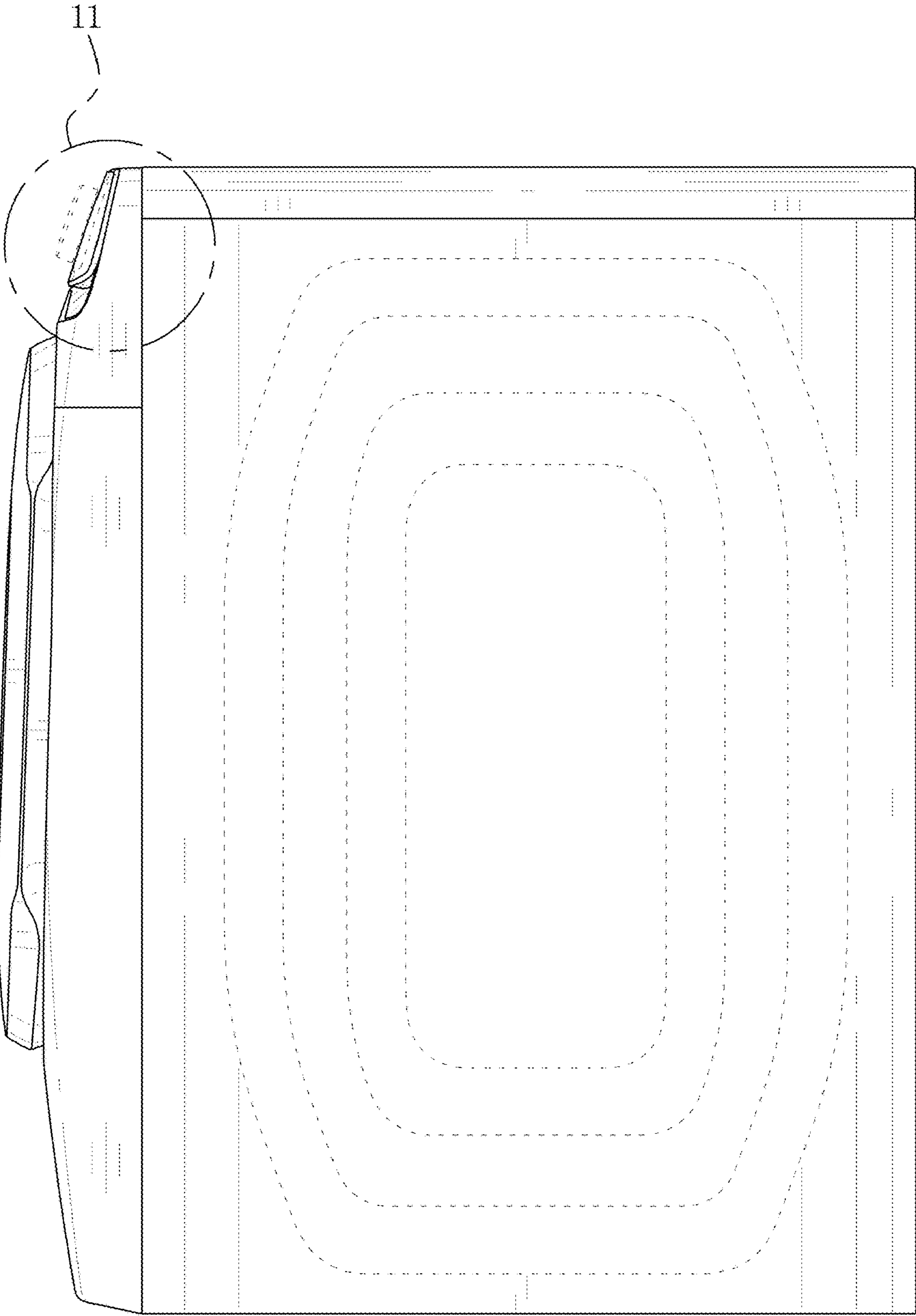


FIG. 6

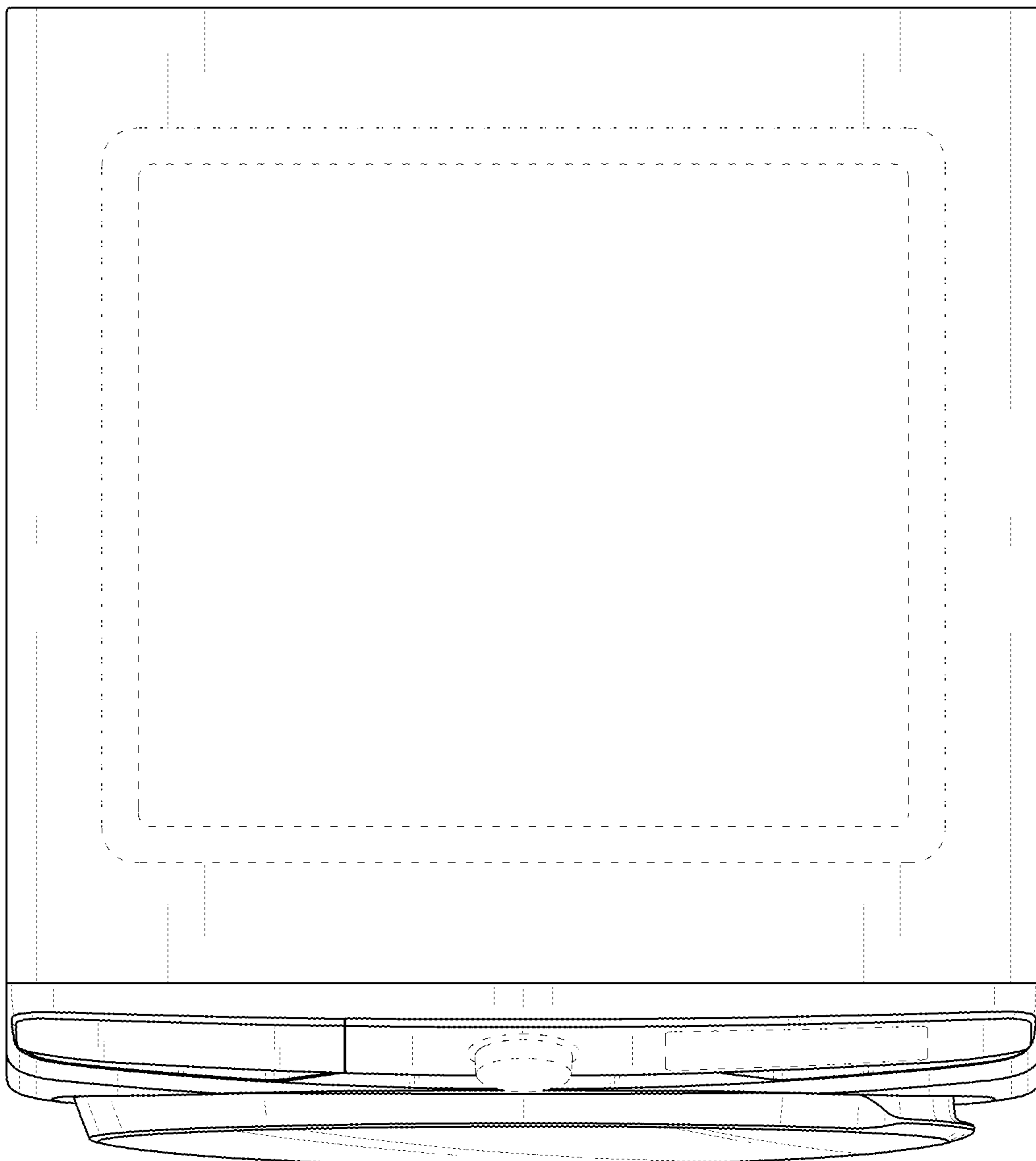




FIG. 7

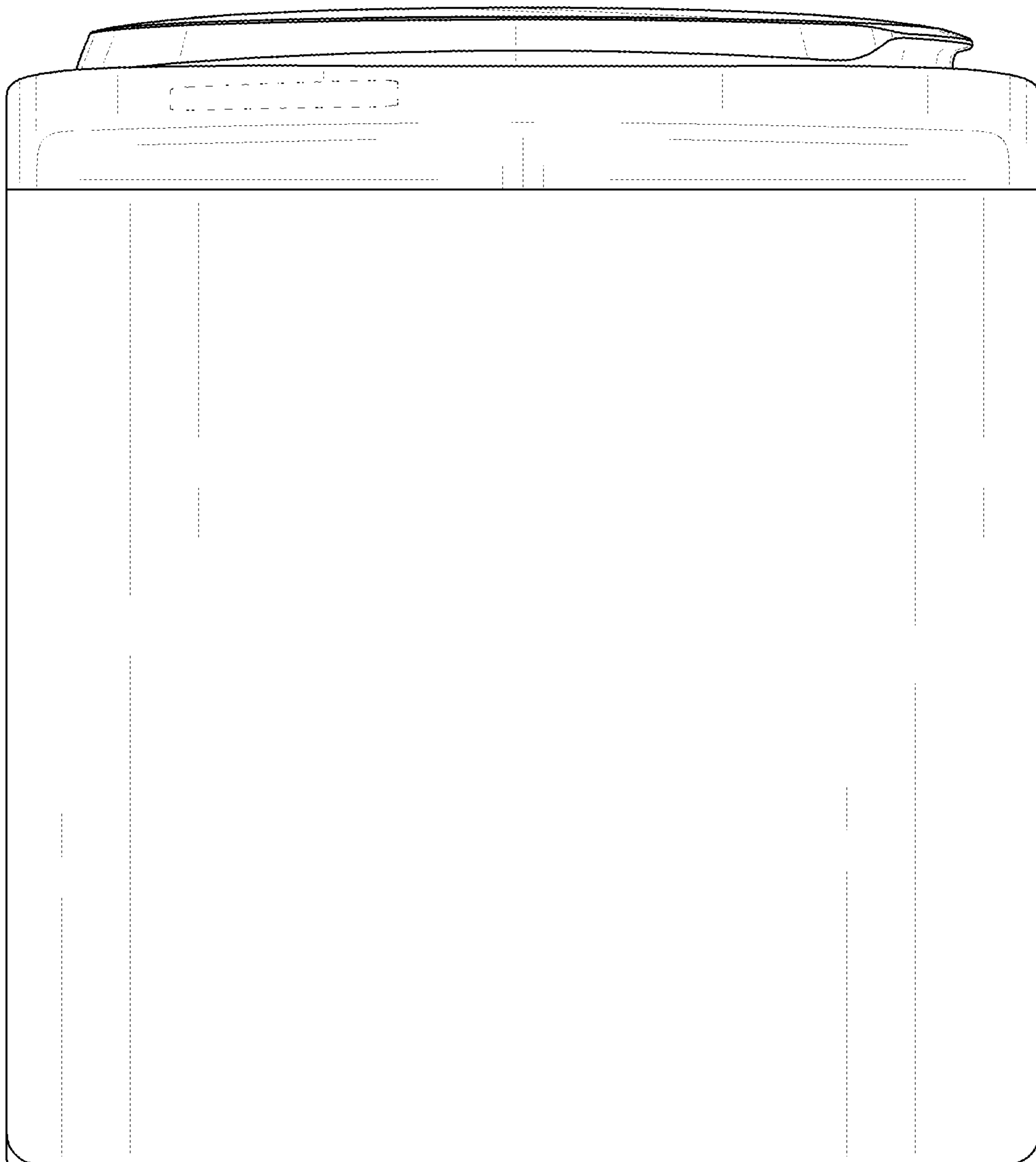


FIG. 8

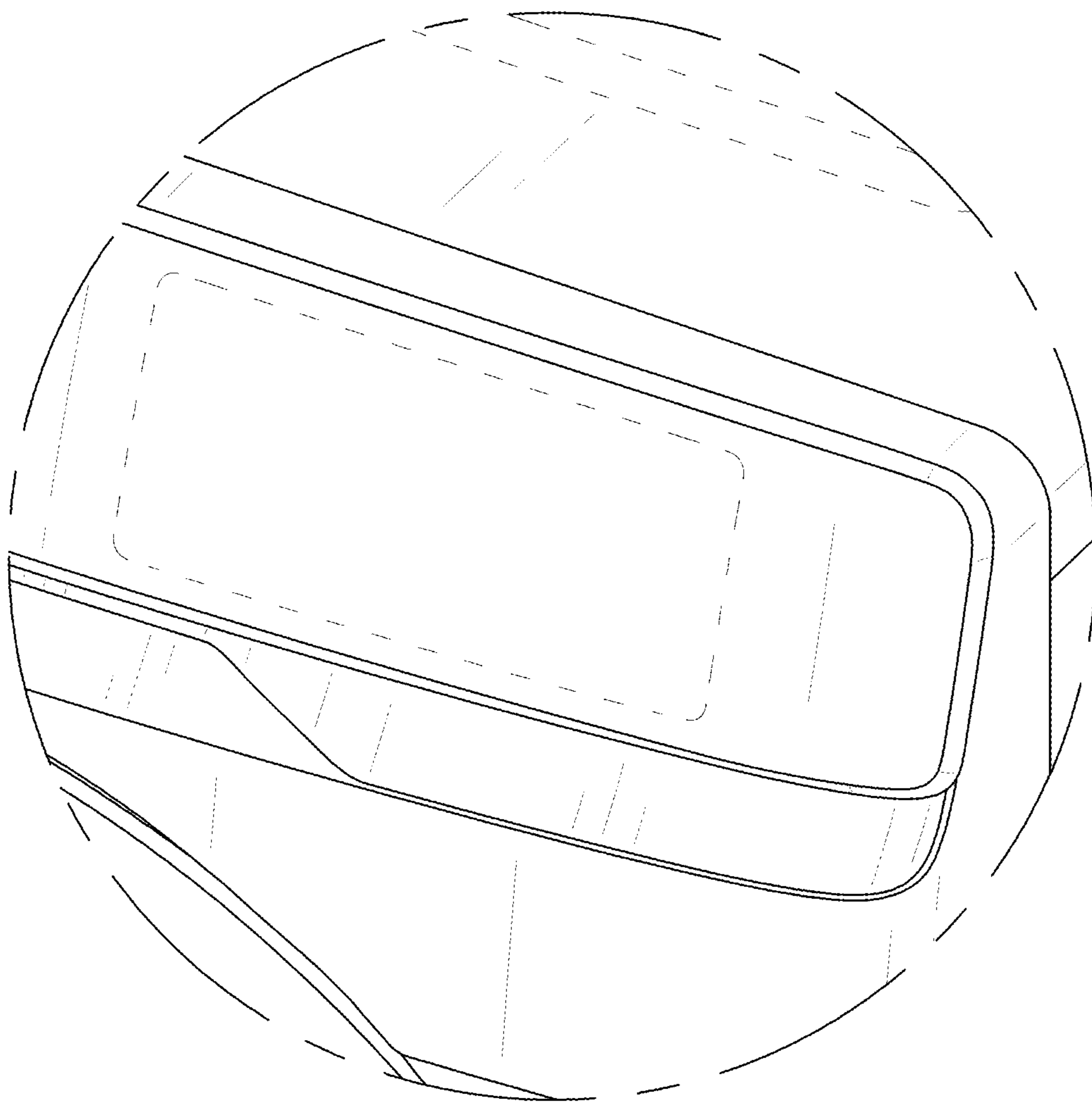


FIG. 9

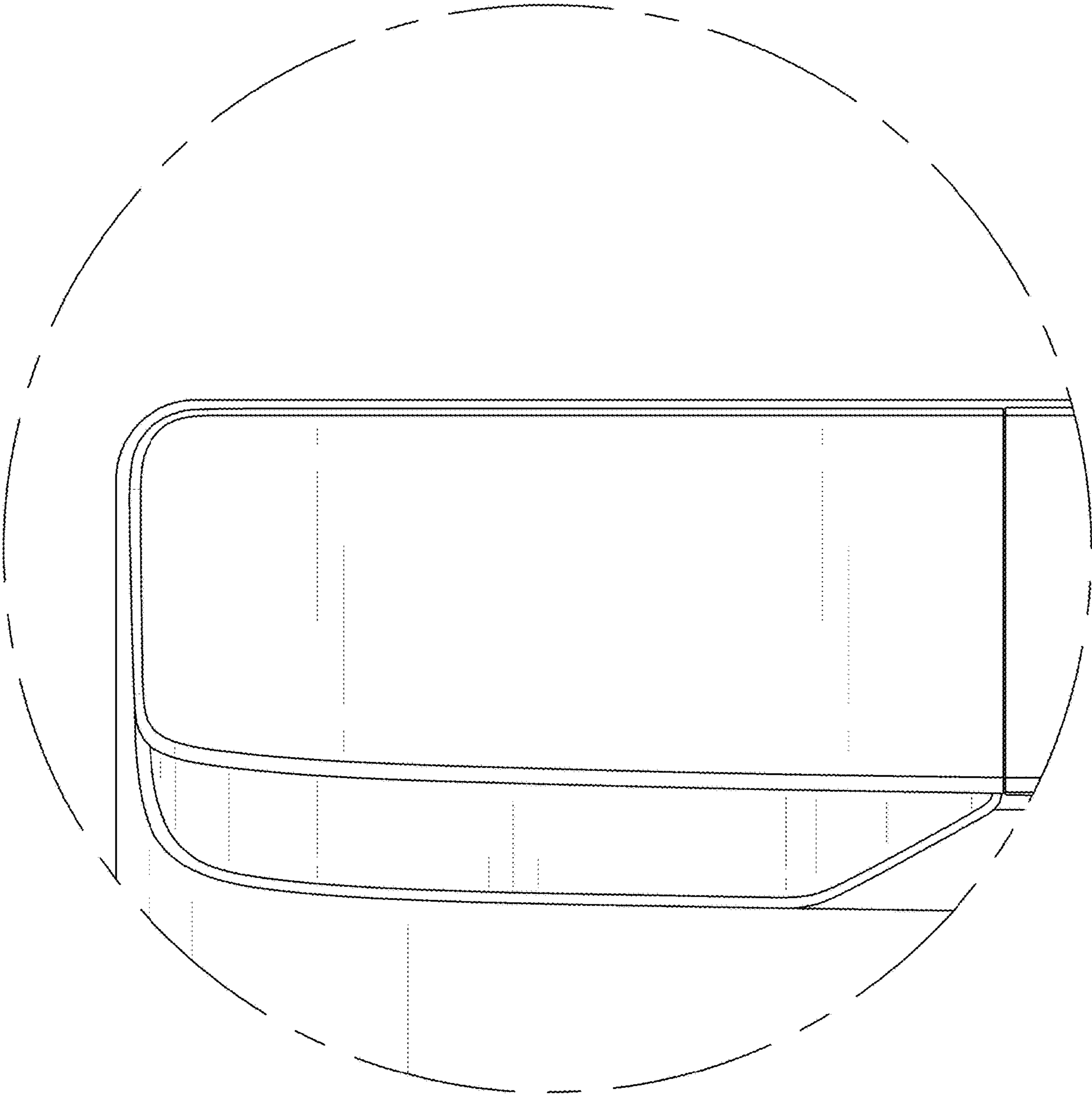


FIG. 10

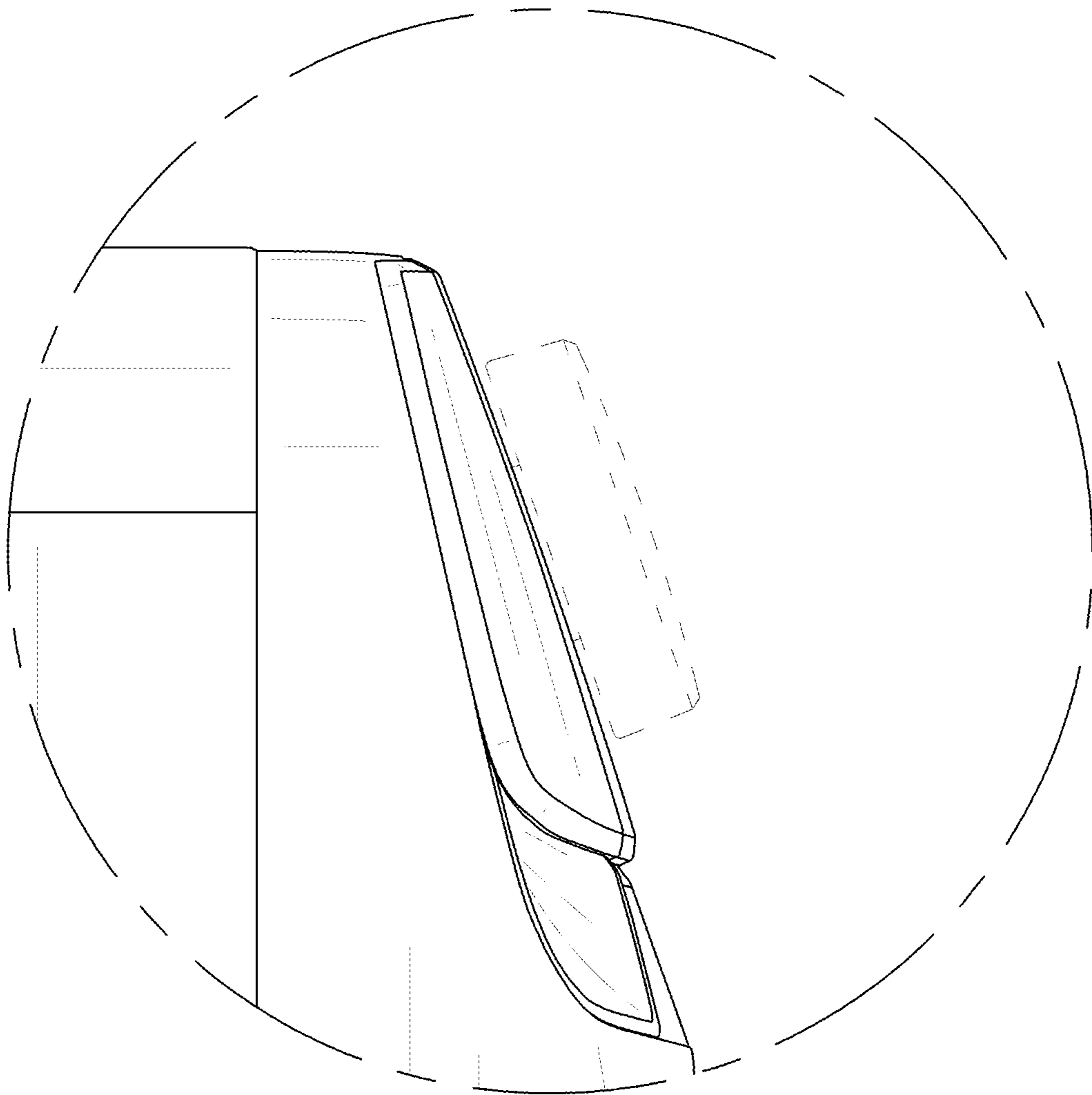


FIG. 11

