



US00D913607S

(12) **United States Design Patent** (10) **Patent No.:** **US D913,607 S**
McConnochie et al. (45) **Date of Patent:** **** Mar. 16, 2021**

(54) **CAT SCRATCHER**

(56) **References Cited**

(71) Applicant: **MODRENDESIGN PTY LIMITED,**
Whitebridge (AU)

U.S. PATENT DOCUMENTS

(72) Inventors: **Craig James McConnochie,**
Whitebridge (AU); **Natalie**
McConnochie, Whitebridge (AU)

19,347 A	2/1858	Chaffee	
894,161 A *	7/1908	Miller	A45D 29/04 132/76.4
D49,710 S	9/1916	Lupo	
2,711,731 A *	6/1955	Krohne	A61F 13/041 601/137
3,085,551 A	4/1963	Helmer	
3,173,398 A	3/1965	Raymond	
3,213,474 A *	10/1965	Toth	A47K 7/022 15/222
3,482,548 A	12/1969	Burns	
3,486,485 A	12/1969	Kahanick	
		(Continued)	

(73) Assignee: **MODRENDESIGN PTY LIMITED,**
Whitebridge (AU)

(**) Term: **15 Years**

(21) Appl. No.: **29/752,303**

(22) Filed: **Sep. 25, 2020**

OTHER PUBLICATIONS

Catit, "Catit Senses 2.0 Oval scratcher", <https://www.youtube.com/watch?v=Gn7myzllTI>, Published on Mar. 27, 2018.

(Continued)

Related U.S. Application Data

(63) Continuation of application No. 29/736,250, filed on May 28, 2020, now Pat. No. Des. 900,414.

(51) **LOC (13) Cl.** **30-99**

(52) **U.S. Cl.**
USPC **D30/158; D30/160**

(58) **Field of Classification Search**
USPC D30/158, 159, 199, 160; 119/625, 633, 119/600, 617, 628, 632, 631, 602, 621, 119/603; D4/136, 127, 124, 130; D28/91.2, 63; D32/47, 35, 40, 52; D24/211, 212, 214, 215; 15/114, 110, 15/117, 160, DIG. 6, 210.1, 207.2, 15/DIG. 5, 105, 111, 187; 4/606, 559; 601/136, 137; 132/129, 132, 148, 114; 401/28; D23/261; D6/592
CPC .. A01K 15/024; A01K 15/025; A01K 15/027; A01K 13/004; A01K 13/00

See application file for complete search history.

Primary Examiner — Susan Moon Lee

(74) *Attorney, Agent, or Firm* — Brett A. Schenck

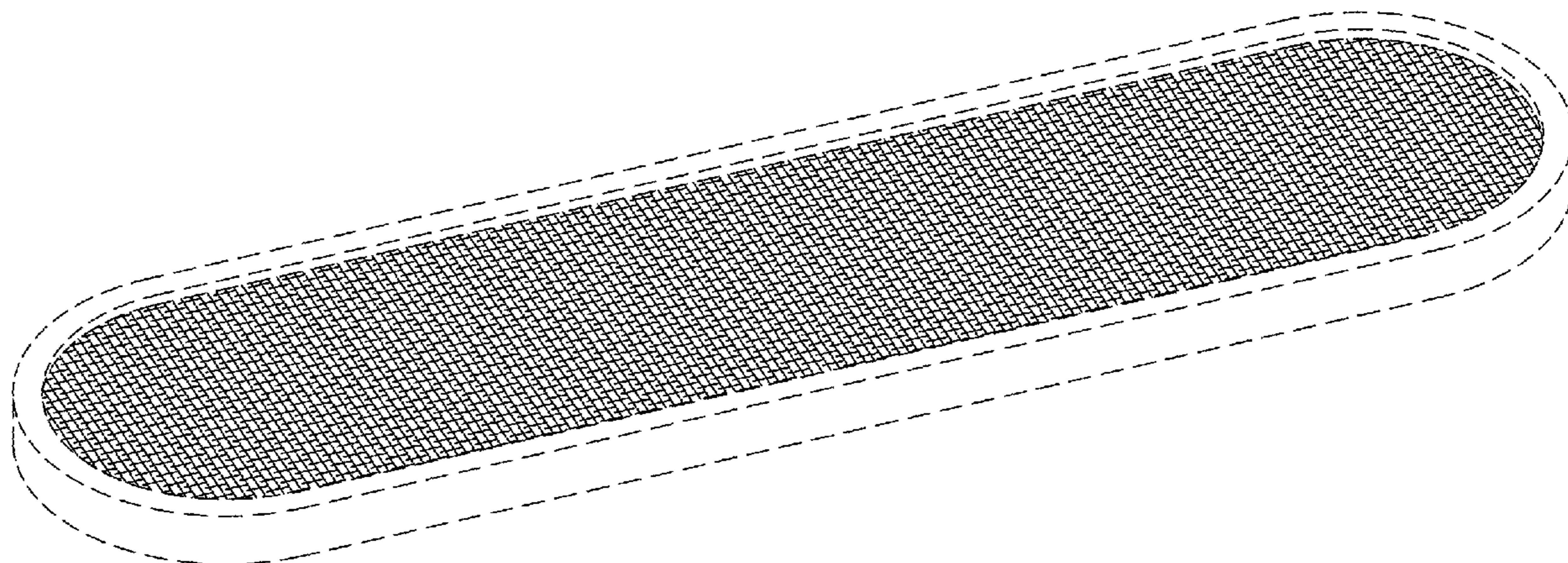
(57) **CLAIM**

The ornamental design for a cat scratcher, as shown and described.

DESCRIPTION

FIG. 1 is a top right perspective view of a cat scratcher, showing my new design;
FIG. 2 is a top view thereof;
FIG. 3 is a right side view thereof, the left side view being a mirror image thereof;
FIG. 4 is a front view thereof, the rear view being a mirror image thereof; and,
FIG. 5 is a bottom view thereof.
The even length broken lines in the drawings depict portions of the cat scratcher that form no part of the claimed design.

1 Claim, 4 Drawing Sheets



(56)

References Cited

U.S. PATENT DOCUMENTS

3,527,208 A * 9/1970 Hoegerman A61H 7/003
601/136
D254,815 S 4/1980 Kossar
4,429,868 A 2/1984 LeBlanc et al.
D283,261 S 4/1986 Walling
4,892,091 A * 1/1990 Sullenger A47K 7/02
601/137
4,915,096 A * 4/1990 Winstone A61H 11/00
128/DIG. 15
D320,674 S 10/1991 Pinkson
D321,970 S 12/1991 Cochran
D336,548 S 6/1993 Zeller
D353,506 S 12/1994 Brandon
D355,057 S 1/1995 Northrop et al.
D355,807 S 2/1995 O'Rourke
D379,518 S * 5/1997 Bergman D24/211
5,787,541 A * 8/1998 Chen A47K 7/022
15/209.1
5,809,933 A 9/1998 Conwell, III
5,870,971 A 2/1999 Krietzman et al.
D412,365 S * 7/1999 Szabo D24/200
D417,281 S * 11/1999 East D24/200
D418,248 S * 12/1999 Clark D28/63
6,026,531 A * 2/2000 Pruitt A47K 7/022
15/160
D440,355 S * 4/2001 Nati D28/63
D457,985 S * 5/2002 McNaughton D28/63
6,386,776 B2 * 5/2002 Scariano A45D 34/04
15/222
6,405,400 B1 6/2002 McClain
D472,642 S * 4/2003 Henckel D24/211
6,779,218 B1 8/2004 Jusinski
6,786,666 B1 * 9/2004 Floyd-Williams A45D 34/04
15/222
D498,332 S * 11/2004 Kwon D28/59
D501,064 S 1/2005 Williams
6,849,055 B1 * 2/2005 Williams A47K 7/022
15/208
6,969,362 B2 * 11/2005 Wang A61H 7/002
15/208
D513,093 S 12/2005 Kim
D524,441 S 7/2006 Anderson et al.
D530,451 S * 10/2006 Anderson D28/59
D533,308 S * 12/2006 Kovac D28/63
7,171,922 B2 2/2007 Lipscomb et al.
7,278,431 B2 10/2007 Anderson et al.
D555,843 S 11/2007 Lika
D561,389 S * 2/2008 Hunter D28/5
7,565,884 B2 7/2009 Lamstein et al.
D604,018 S 11/2009 Simpson
D607,159 S 12/2009 Kellogg et al.
7,765,956 B2 8/2010 Lamstein
D627,106 S * 11/2010 Comin D28/91.2
D644,795 S 9/2011 Haaf
D648,078 S 11/2011 Haaf
D653,820 S 2/2012 Haaf
D655,555 S 3/2012 Benson
D656,277 S * 3/2012 Mckee D28/91.2
D662,669 S * 6/2012 Ishida D28/59
D663,491 S 7/2012 Haaf et al.
D665,138 S 8/2012 Haaf et al.
D672,919 S 12/2012 Campbell
D674,499 S * 1/2013 Palm D24/200
8,561,575 B2 10/2013 Ruffin
D693,965 S 11/2013 Elliott
D696,821 S 12/2013 Haff
D706,987 S * 6/2014 Rodriguez D28/63

D708,405 S 7/2014 Sikora
D713,607 S 9/2014 Drew
D730,574 S 5/2015 Long et al.
D754,246 S * 4/2016 Tang D17/20
D754,869 S * 4/2016 Stock D24/214
9,345,233 B1 5/2016 Tsengas
D760,957 S * 7/2016 Bellinger D28/63
D765,422 S * 9/2016 Thomas D4/137
D773,857 S * 12/2016 Morris D6/592
D774,708 S 12/2016 Kellogg
D784,616 S * 4/2017 Honeyman D28/43
D816,922 S 5/2018 Long, Jr. et al.
D834,720 S * 11/2018 Willis D24/214
10,412,926 B2 9/2019 Chen
D870,462 S * 12/2019 Thomas D4/137
D871,688 S 12/2019 Long, Jr. et al.
D891,011 S 7/2020 Long, Jr. et al.
D900,414 S * 10/2020 McConnochie D30/158
2002/0066459 A1 * 6/2002 Turina A45D 29/04
132/76.4
2002/0189549 A1 12/2002 Writer et al.
2004/0139926 A1 7/2004 Diep
2006/0137623 A1 6/2006 Lamstein
2006/0184078 A1 * 8/2006 Robertson A61H 7/003
601/137
2006/0191490 A1 8/2006 Lamstein et al.
2007/0074675 A1 4/2007 Tu
2007/0295282 A1 12/2007 Lamstein et al.
2008/0149041 A1 6/2008 Lamstein et al.
2008/0196675 A1 8/2008 Murrer
2009/0188439 A1 7/2009 Simpson et al.
2010/0000558 A1 1/2010 Ruffin et al.
2010/0122665 A1 5/2010 Delzio
2011/0004977 A1 * 1/2011 Port G09F 21/02
2/246
2011/0114105 A1 * 5/2011 Wazlavek A45D 29/04
132/76.4
2012/0204808 A1 8/2012 Shenefelt
2013/0206079 A1 8/2013 Lipscomb et al.
2013/0333629 A1 12/2013 Paculdo
2014/0014043 A1 1/2014 McCann
2014/0150729 A1 6/2014 Paculdo et al.
2017/0172108 A1 6/2017 Long, Jr. et al.
2018/0332822 A1 11/2018 Diskin et al.
2018/0352785 A1 12/2018 Chia
2018/0368354 A1 12/2018 Chen
2018/0368367 A1 12/2018 Chen

OTHER PUBLICATIONS

M&MKPET Natural Sisal Cat Scratcher Mat,Scratch Pad for Cat Grinding Claws & Protecting Furniture (23.6" 23.6") (via amazon.com), available on Aug. 7, 2018, site visited on May 20, 2017, Available from internet, <URL: https://www.amazon.com/Natural-Scratching-Grinding-Protecting-Furniture/dp/B07DTF1LPS/ref=cm_cr_arp_d_product_top?ie=UTF8.
Hangzhou Jie Feng Leisure Product Co., Ltd., "Cat Playing Cat Tunnel Toy New Designed Durable MDF Cat Scratcher Cardboard Toy", last login date Mar. 6, 2020, site visited mary 19, 2020, Available from internet, <URL: <https://nzjiefeng.en.made-in-china.com/product/FytQdcOAQbkZ/China-Cat-Playing-Cat-Tunnel-Toy-New-Designed-Durable-MDF-Cat-Scratcher-Cardboard-Toy.html>.
Jiaxing, "Round circuit multifunction cat toy cardboard", site visited on May 19, 2020, see p. 2, Available from Internet, <URL: <http://www.petcarton.com/hexagon-model-cattery-scratching-board/56239704.html>.

* cited by examiner

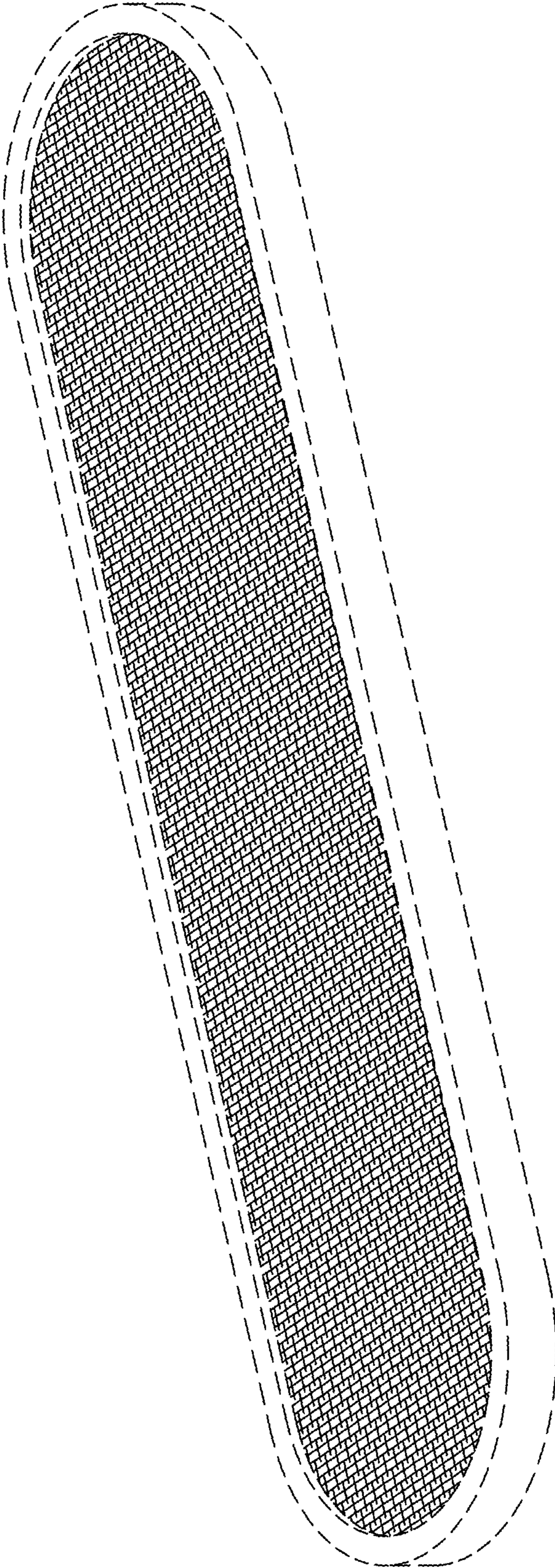


FIG. 1

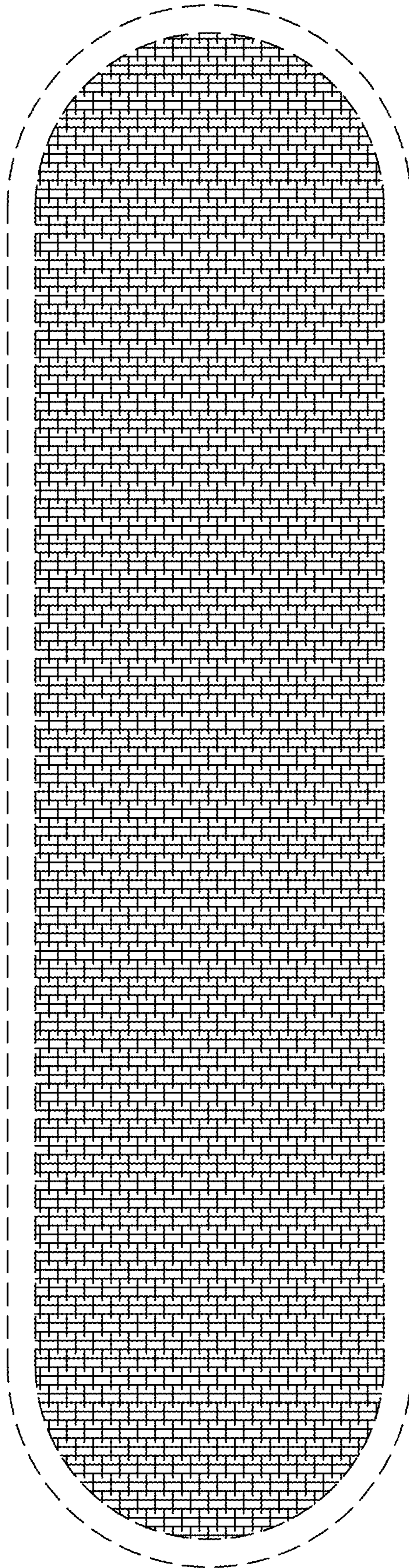


FIG. 2



FIG. 3

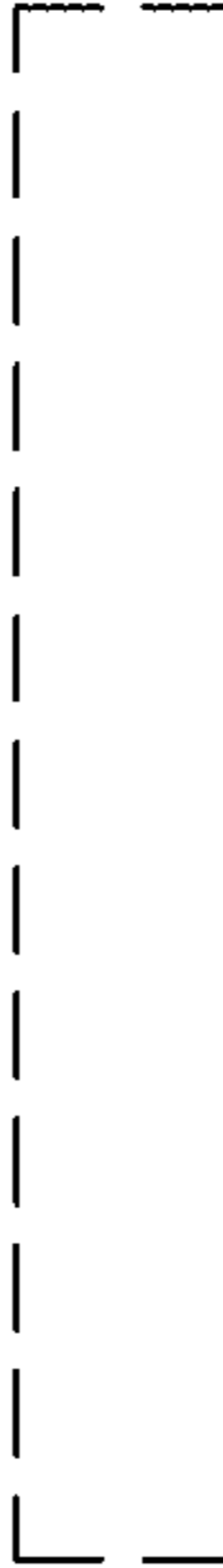


FIG. 4

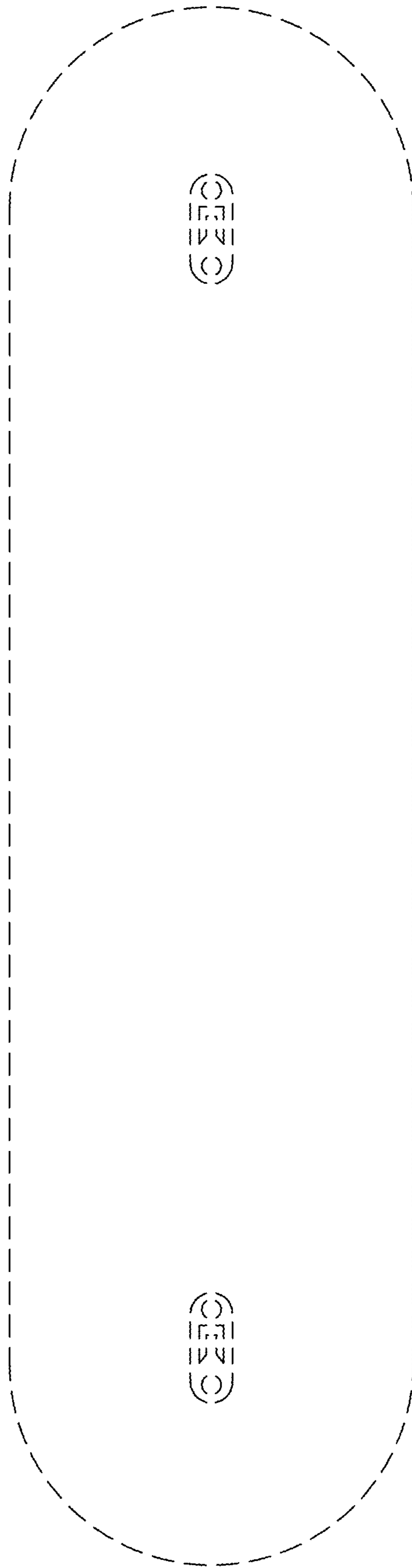


FIG. 5