



US00D913603S

(12) **United States Design Patent** (10) **Patent No.:** **US D913,603 S**
Johnson (45) **Date of Patent:** **** Mar. 16, 2021**

(54) **ANIMAL CAGE ATTACHMENT**

FOREIGN PATENT DOCUMENTS

(71) Applicant: **Datesand Limited**, Stockport (GB)

EM RCD004537777-0001 1/2018

(72) Inventor: **Mark Johnson**, Manchester (GB)

OTHER PUBLICATIONS

(73) Assignee: **Datesand Limited**, Stockport (GB)

(**) Term: **15 Years**

“Datesand: Polycarbonate Mouse Tunnel”. Found online Apr. 5, 2019 at facebook.com. Reference dated Mar. 19, 2019. Retrieved from <https://www.facebook.com/datesandgroup/photos/a.329194864107116/821303521562912/?type=3>.*

(21) Appl. No.: **29/636,227**

“Datesand: Mouse Tunnel Clip” Found online Apr. 5, 2019 at facebook.com. Reference dated Oct. 19, 2017. Retrieved from <https://www.facebook.com/datesandgroup/photos/a.329194864107116/498560667170534/?type=3>.*

(22) Filed: **Feb. 7, 2018**

“Little Friends: Rat Tubes”. Found online Apr. 5, 2019 at littlepetwarehouse.co.uk. Reference dated Jul. 28, 2016. Retrieved from https://tineye.com/search/fd51ed8c11193445af82596da014f3a9ec64e035/?sort=crawl_date&extension_ver=chrome-1.3.0&order=asc.*

(51) **LOC (13) Cl.** **30-02**

(52) **U.S. Cl.**
USPC **D30/119**

(58) **Field of Classification Search**
USPC D30/108, 118, 119, 160, 199; D21/814,
D21/826, 827
CPC A01K 15/02; A01K 15/04; A01K 1/03
See application file for complete search history.

“Pet Supplies Web: Best Tubes & Tunnel—Out of Top 20”. Found online Apr. 5, 2019 at petsuppliesweb.com. Reference dated Jun. 15, 2017. Retrieved from <https://www.petsuppliesweb.com/best-tubes-tunnel-out-of-top-20/>.*

* cited by examiner

(56) **References Cited**

U.S. PATENT DOCUMENTS

419,117 A *	1/1890	Folsom	B65D 3/22 229/4.5
D231,367 S *	4/1974	Willinger et al.	D30/108
D232,036 S *	7/1974	Willinger	D30/108
D258,543 S *	3/1981	Molnar	D30/108
5,664,524 A *	9/1997	Piglia	A01K 1/03 119/452
D402,427 S *	12/1998	Johnson	D30/119
D413,370 S *	8/1999	Kirn	D21/814
D596,355 S *	7/2009	Toltzman	D30/118
D758,516 S *	6/2016	Radford	D21/814
D809,716 S *	2/2018	Spaile	D30/119
D830,648 S *	10/2018	Bahr	D30/160
2001/0052328 A1 *	12/2001	Marchioro	A01K 15/025 119/416
2003/0022761 A1 *	1/2003	Brereton	A63B 9/00 482/35

Primary Examiner — Kendra Leslie Hamilton

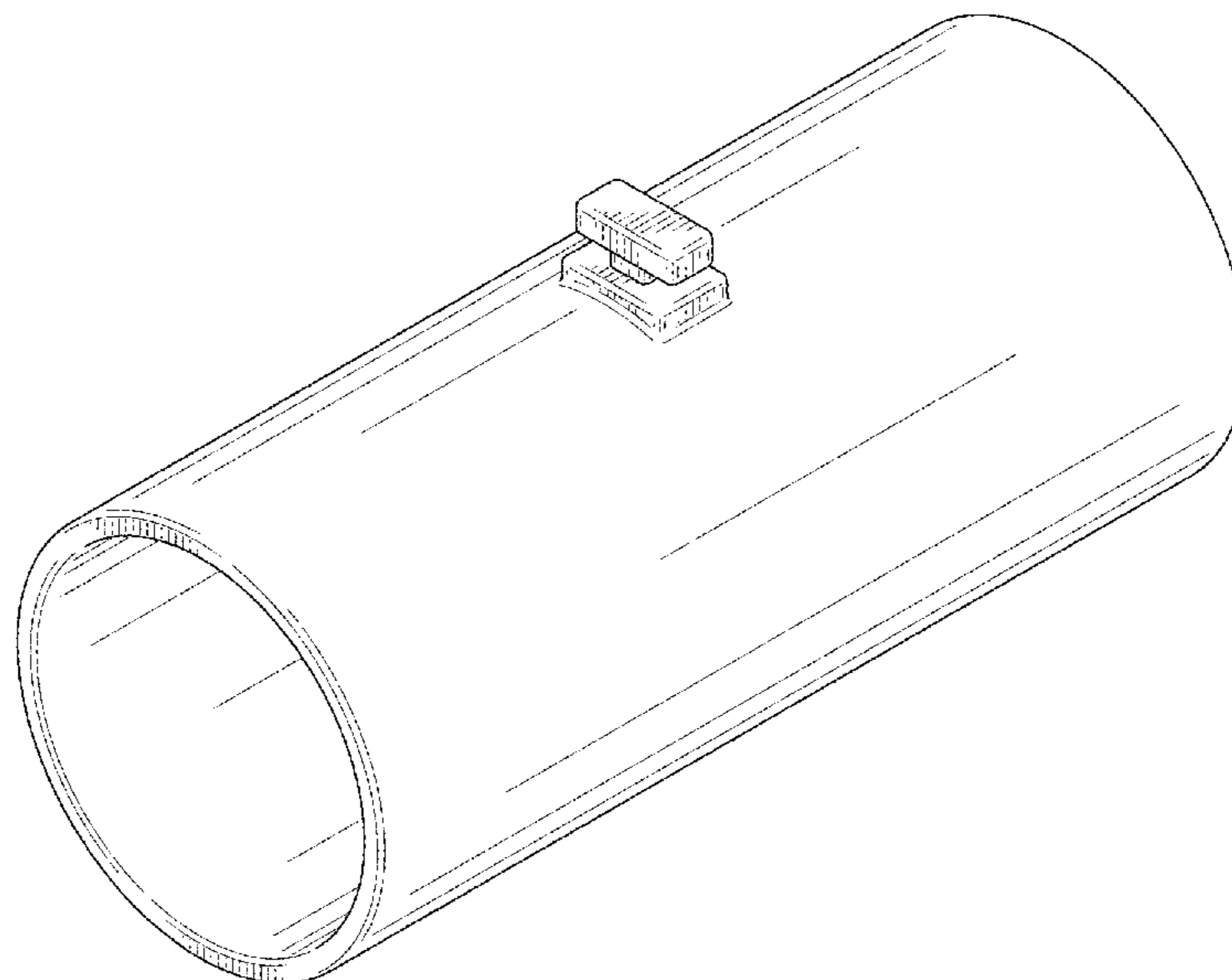
(57) **CLAIM**

The ornamental design for an animal cage attachment, as shown and described.

DESCRIPTION

FIG. 1 is a top, front, left perspective view of an animal cage attachment, showing my new design;
FIG. 2 is a front elevation view thereof;
FIG. 3 is a rear elevation view thereof;
FIG. 4 is a left side elevation view thereof;
FIG. 5 is a right side elevation view thereof;
FIG. 6 is a top plan view thereof; and,
FIG. 7 is a bottom plan view thereof.

1 Claim, 6 Drawing Sheets



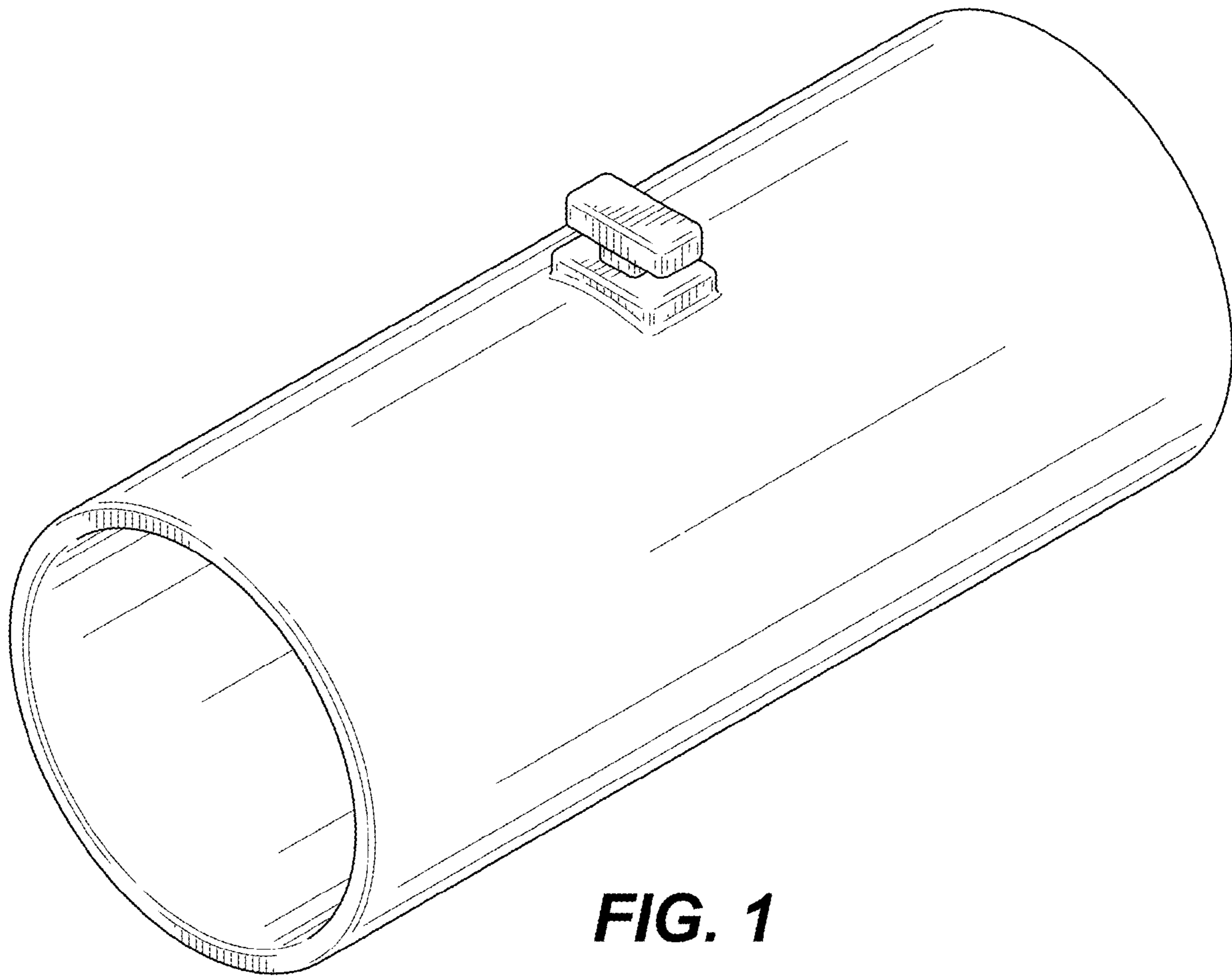


FIG. 1

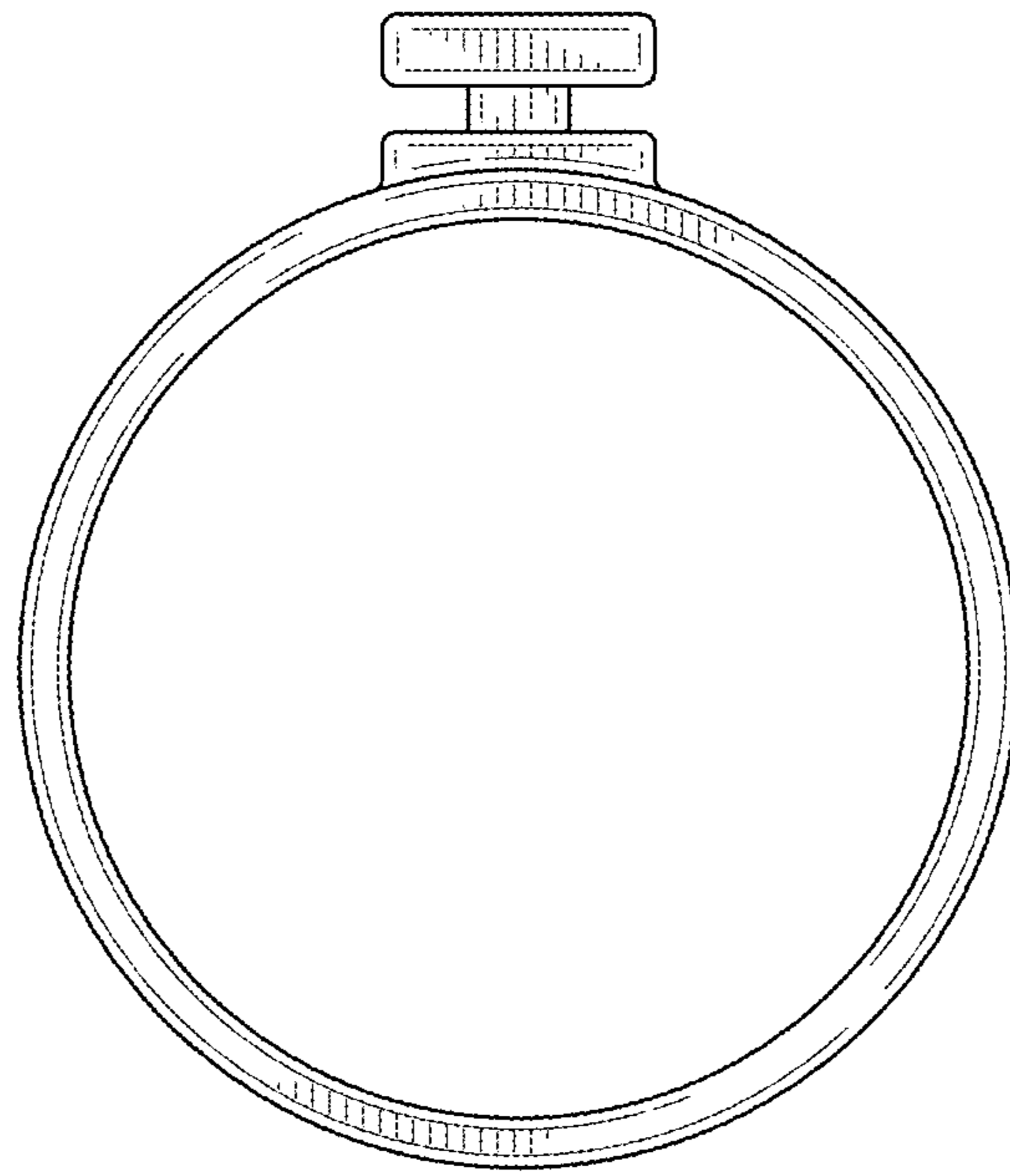


FIG. 2

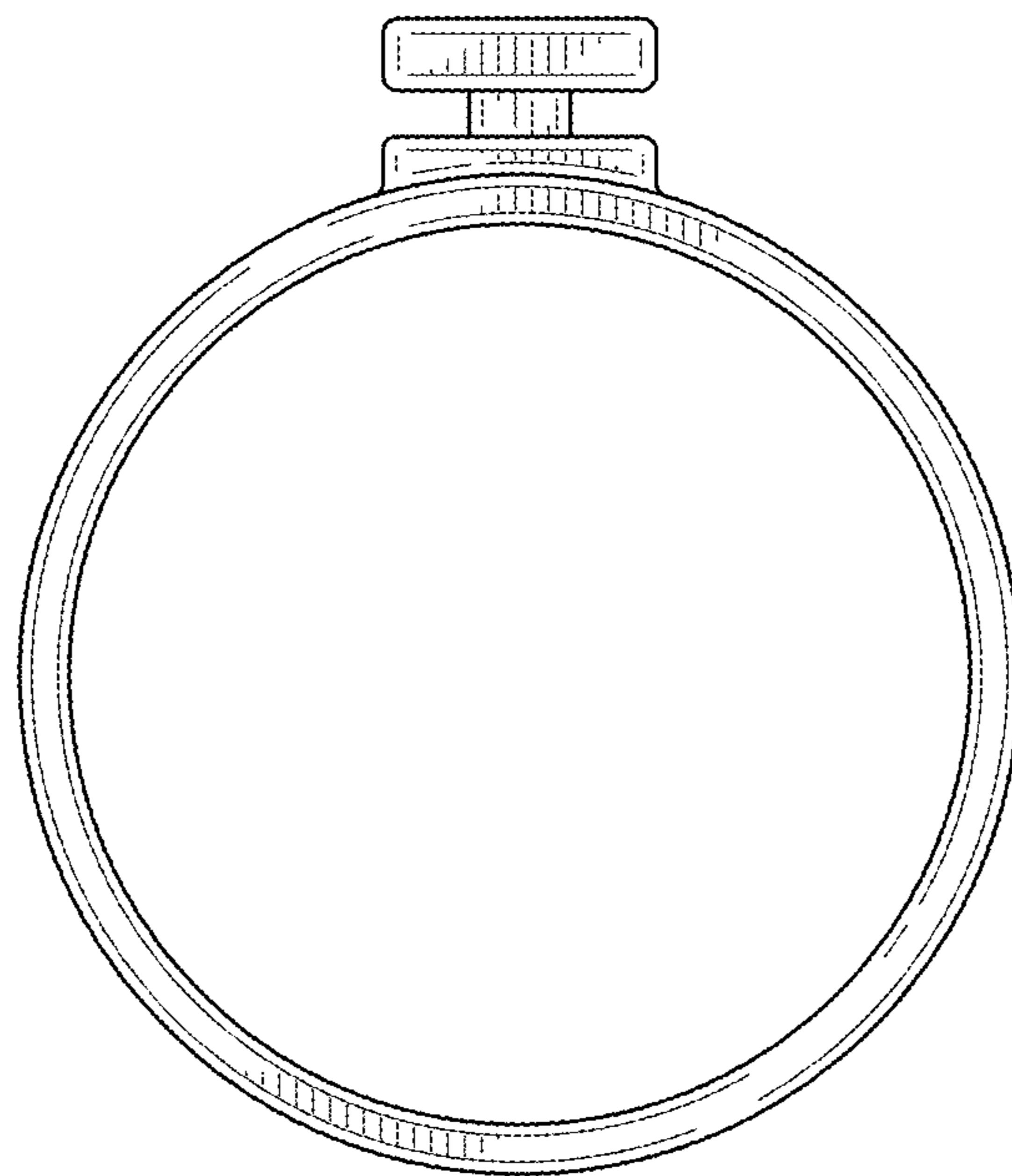


FIG. 3

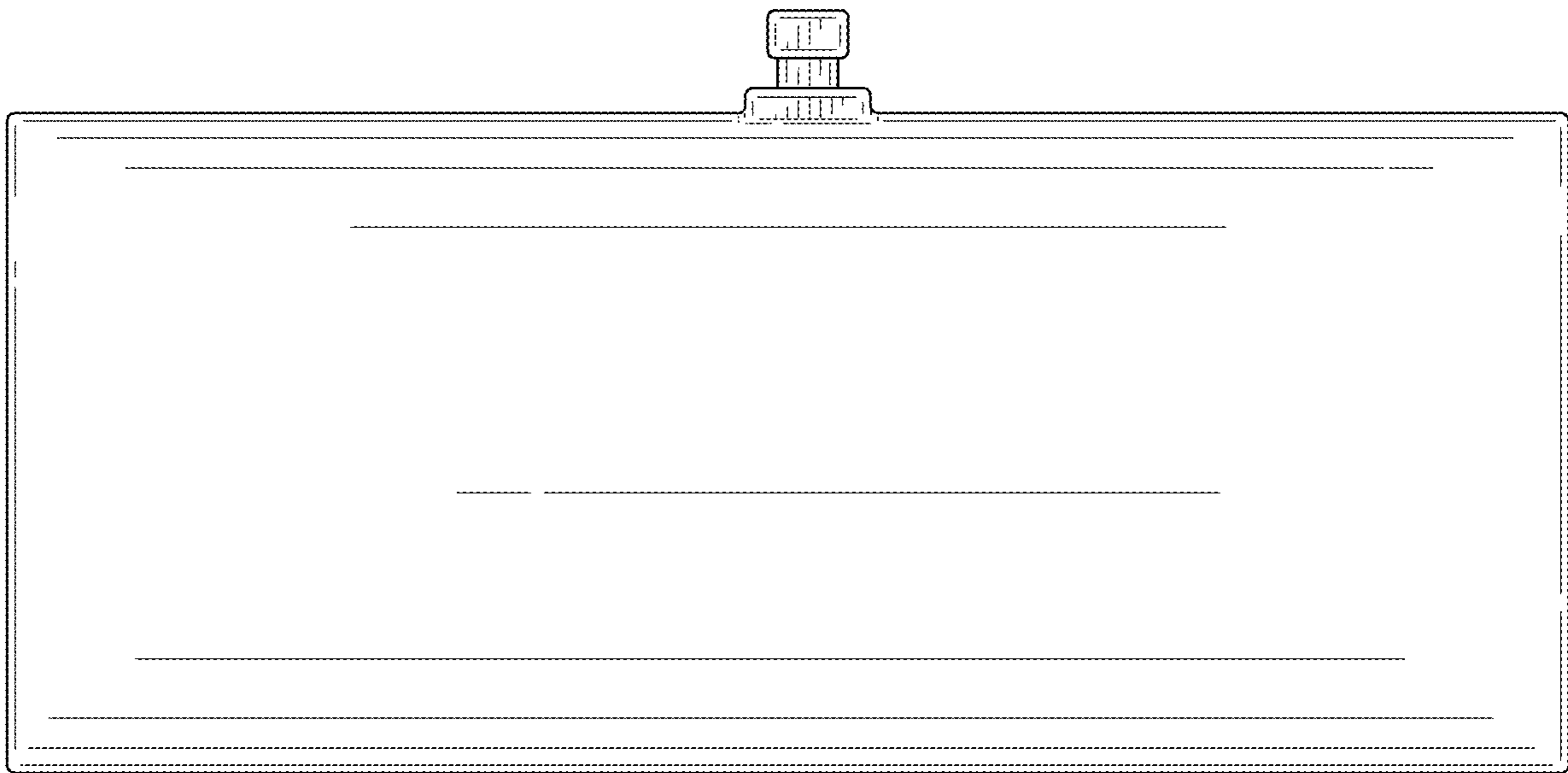


FIG. 4

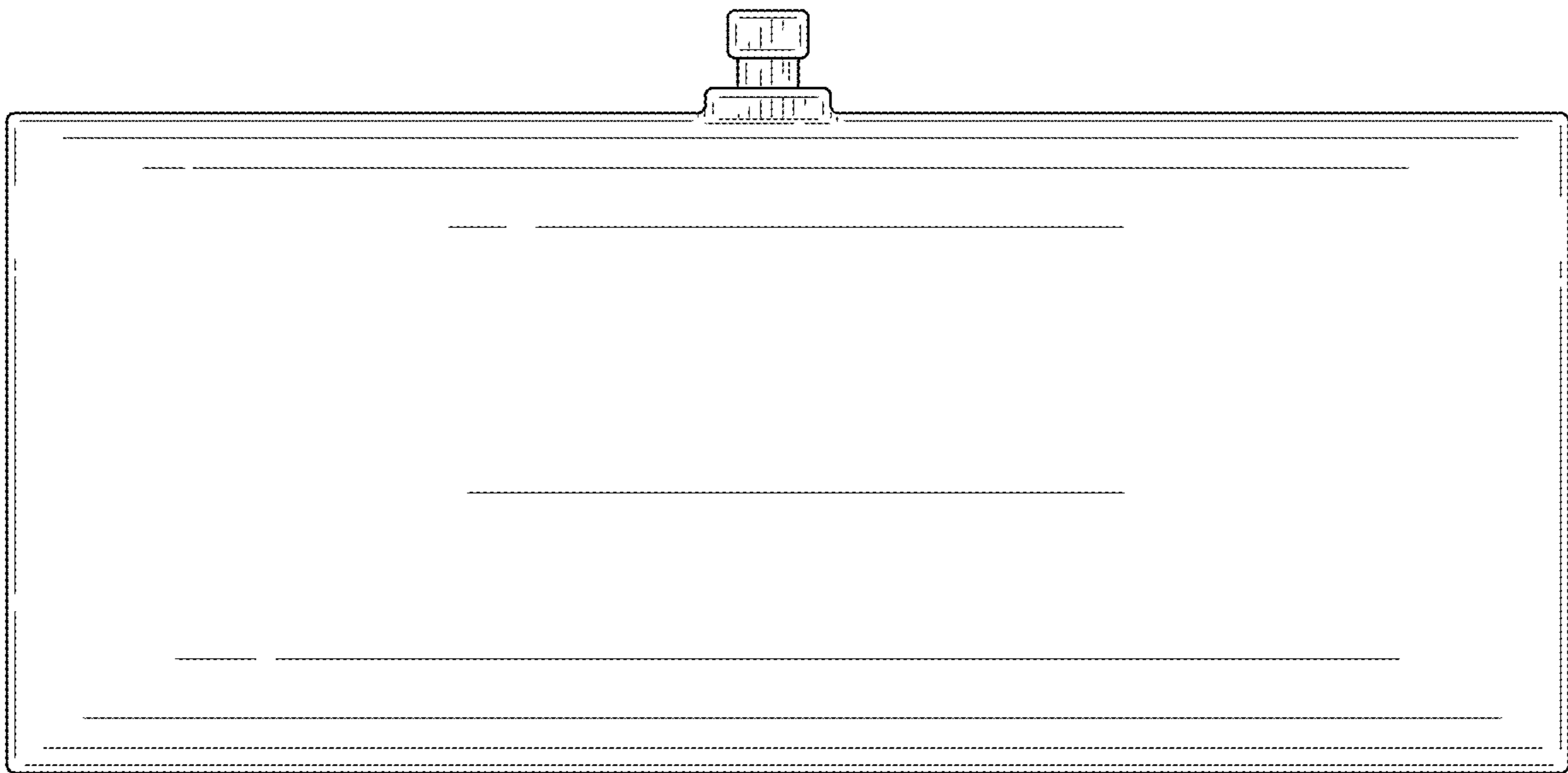


FIG. 5

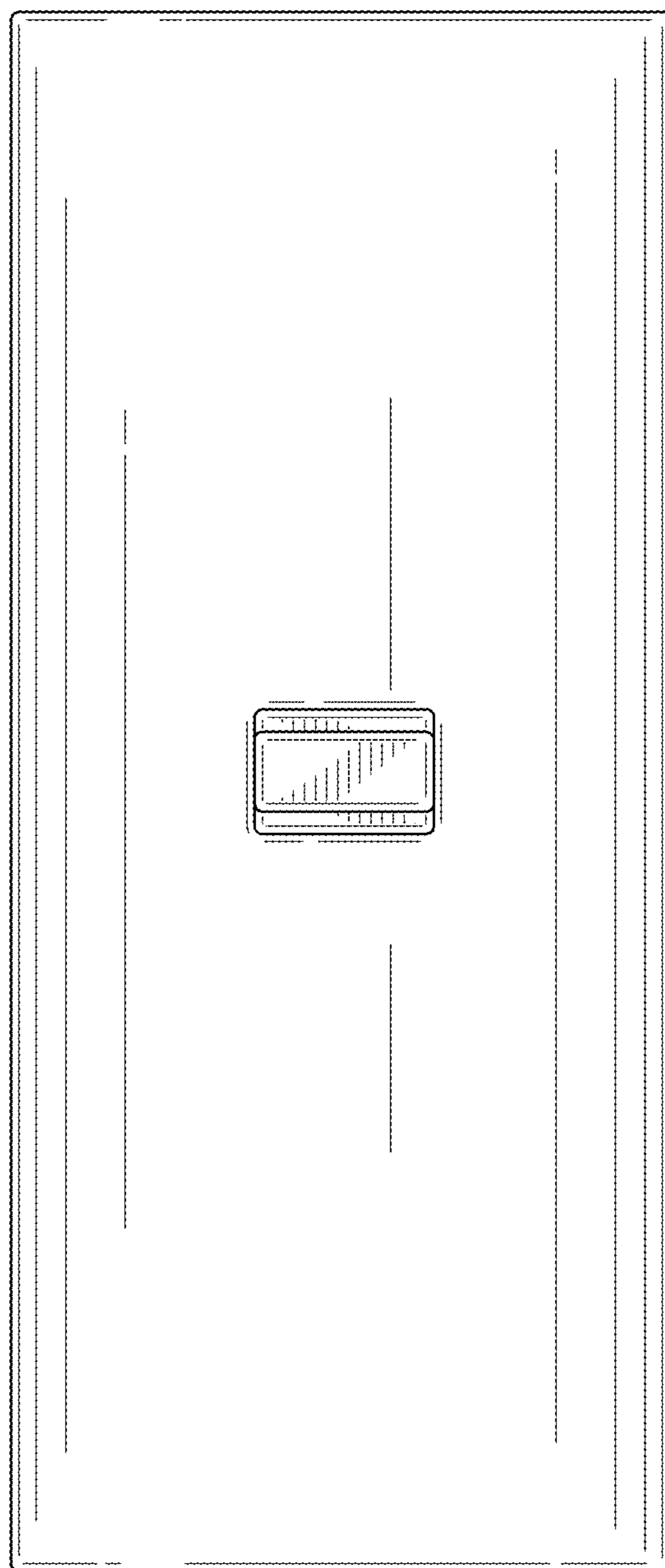


FIG. 6

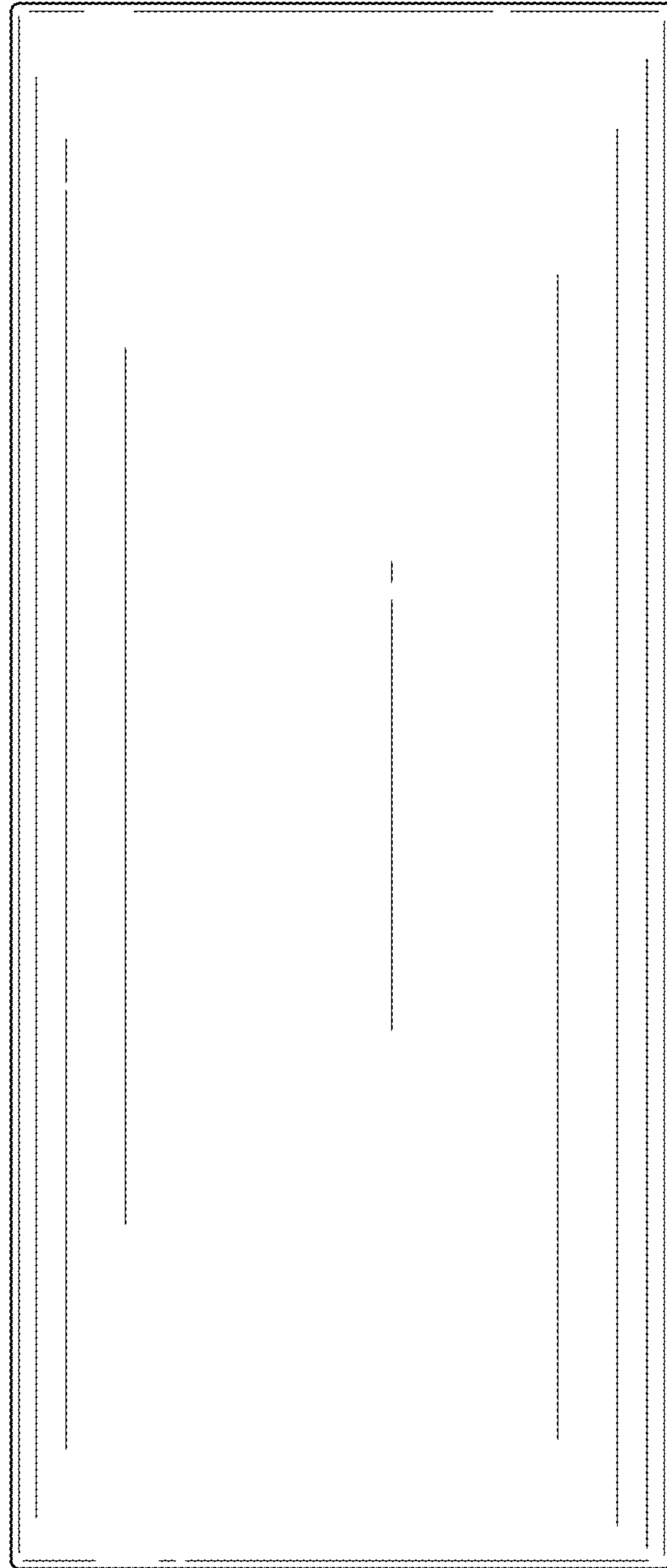


FIG. 7