



US00D913599S

(12) **United States Design Patent**  
**Whiteside**

(10) **Patent No.:** **US D913,599 S**

(45) **Date of Patent:** **\*\* Mar. 16, 2021**

(54) **WORK GLOVE**

(71) Applicant: **Midwest Quality Gloves, Inc.**,  
Chillicothe, MO (US)

(72) Inventor: **Anne Walters Whiteside**, Chillicothe,  
MO (US)

(73) Assignee: **Midwest Quality Gloves, Inc.**,  
Chillicothe, MO (US)

(\*\*) Term: **15 Years**

(21) Appl. No.: **29/695,331**

(22) Filed: **Jun. 18, 2019**

(51) **LOC (13) Cl.** ..... **02-06**

(52) **U.S. Cl.**  
USPC ..... **D29/117.2; D2/617**

(58) **Field of Classification Search**  
USPC ..... D2/617, 619; D29/117.2, 117.1  
CPC ... A41D 19/015; A41D 19/00; A41D 2600/20  
See application file for complete search history.

(56) **References Cited**

**U.S. PATENT DOCUMENTS**

168,836 A	10/1875	Hall	
2,187,430 A	1/1940	Olmsted	
3,868,985 A	3/1975	Georges	
D240,975 S *	8/1976	Gregory	D29/117.1
4,663,231 A	5/1987	Girgis et al.	
D347,709 S	6/1994	Pearson	
5,322,729 A	6/1994	Heeter et al.	
5,625,900 A	5/1997	Hayes	
5,706,522 A	1/1998	Bailarino et al.	
5,740,551 A	4/1998	Walker	
D398,086 S	9/1998	Ferdenzi	
5,822,791 A	10/1998	Baris	
5,942,452 A	8/1999	Daponte et al.	
6,044,494 A	4/2000	Kang	
6,081,928 A	7/2000	Bourne	
6,265,191 B1	7/2001	Mizusawa et al.	

D445,996 S *	8/2001	Kiernan	D2/617
6,374,417 B1	4/2002	Stagnitta	
6,395,656 B1	5/2002	Jin et al.	
6,526,593 B2	3/2003	Sajovic	
6,649,013 B2	11/2003	Jin et al.	

(Continued)

**FOREIGN PATENT DOCUMENTS**

JP 11012820 A 1/1999

**OTHER PUBLICATIONS**

Men's Heavy Duty Work Gloves, posted at amazon.com, posting date Oct. 15, 2006, [online], [site visited Oct. 23, 2020]. Available from Internet, URL: <https://www.amazon.com/100-gram-Insulation-Wells-Lamont-5235M/dp/B000HHM0AO> (Year: 2006).\*

(Continued)

*Primary Examiner* — George D. Kirschbaum

*Assistant Examiner* — Maria J. Edwards

(74) *Attorney, Agent, or Firm* — Erickson Kernell IP, LLC; Ginnie C. Derousseau

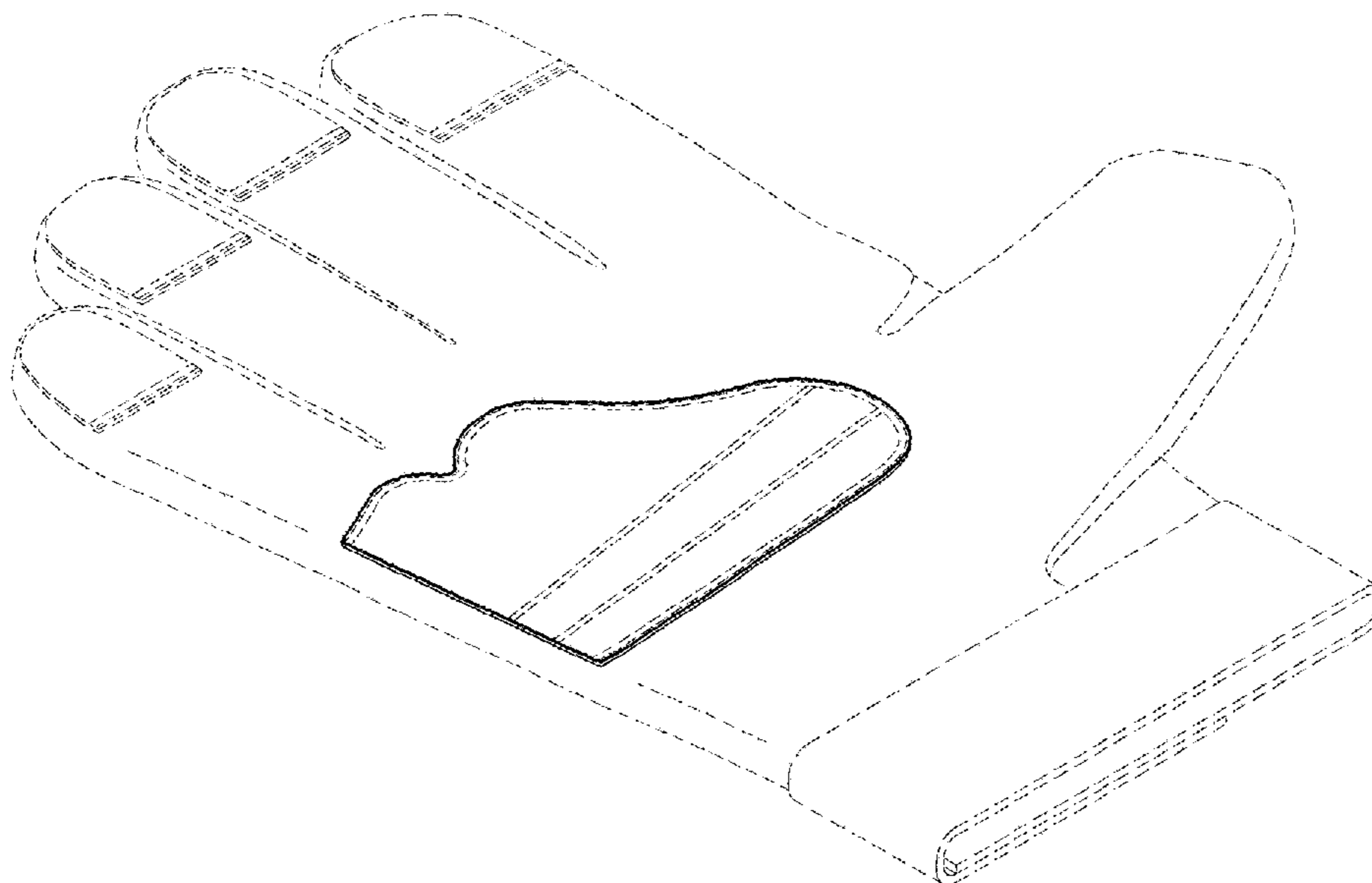
(57) **CLAIM**

The ornamental design for a work glove, as shown and described.

**DESCRIPTION**

FIG. 1 is a perspective view of the work glove in accordance with the present invention;  
FIG. 2 is a plan view of the work glove of FIG. 1;  
FIG. 3 is a side view of the work glove of FIG. 2;  
FIG. 4 is a second side view of the work glove of FIG. 2;  
FIG. 5 is a first end view of the work glove of FIG. 2; and,  
FIG. 6 is a second end view of the work glove of FIG. 2.  
The broken lines illustrate portions of the work glove and form no part of the claimed design.

**1 Claim, 3 Drawing Sheets**



(56)

References Cited

U.S. PATENT DOCUMENTS

6,772,444 B2 8/2004 Tremblay-Lutter  
 D530,058 S 10/2006 Kishihara  
 7,284,263 B2 10/2007 MacK et al.  
 D565,802 S 4/2008 Schuller  
 D589,679 S \* 4/2009 Rolfe ..... D2/617  
 7,788,737 B2 9/2010 Baker  
 D631,613 S 1/2011 Yang  
 D649,328 S 11/2011 Copeland  
 D651,359 S \* 12/2011 Bulan ..... D29/117.1  
 D656,684 S \* 3/2012 Carroll ..... D29/117.1  
 D752,818 S 3/2016 Lai  
 D764,718 S 8/2016 Sibblies  
 9,468,837 B2 10/2016 Ramirez  
 D779,781 S \* 2/2017 Votel ..... D2/617  
 D780,380 S 2/2017 Daniels  
 D792,676 S 7/2017 Mikesell  
 D816,941 S 5/2018 Michaelson  
 D824,640 S \* 8/2018 Votel ..... D2/621  
 D828,632 S \* 9/2018 Coubard ..... D29/117.1  
 D839,488 S 1/2019 Whiteside

2008/0022436 A1 1/2008 Hull  
 2015/0181955 A1 7/2015 Hughes  
 2017/0142931 A1 5/2017 Michaelson

OTHER PUBLICATIONS

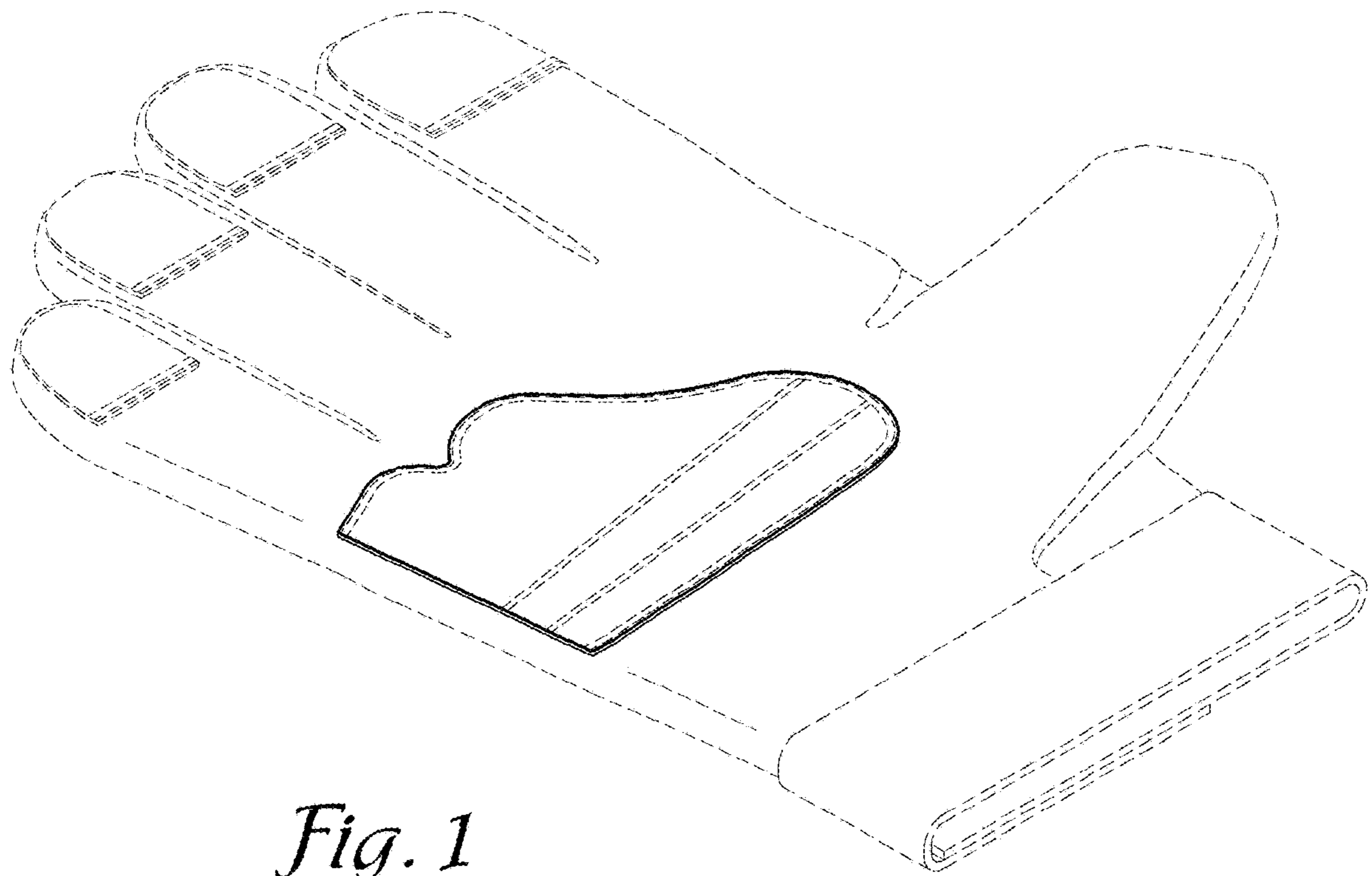
RW Rugged Wear Gloves, posted at menards.com, no posting date, [online], [site visited Oct. 23, 2020]. Available at URL: <https://www.menards.com/main/grocery-home/clothing-accessories/gloves/work-gloves/rw-rugged-wear-reg-mens-split-cowhide-leather-palm-leather-work-gloves/rw86014-l/p-1471355379516.htm> (Year: 2020).\*

Women's Heavy Duty Work Gloves, posted at amazon.com, posting date Feb. 17, 2007, [online], [site visited Oct. 23, 2020]. Available from Internet, URL: <https://www.amazon.com/Wonnens-Leather-Wells-Lamont-4113M/dp/B000BQWLEG> (Year: 2007).\*

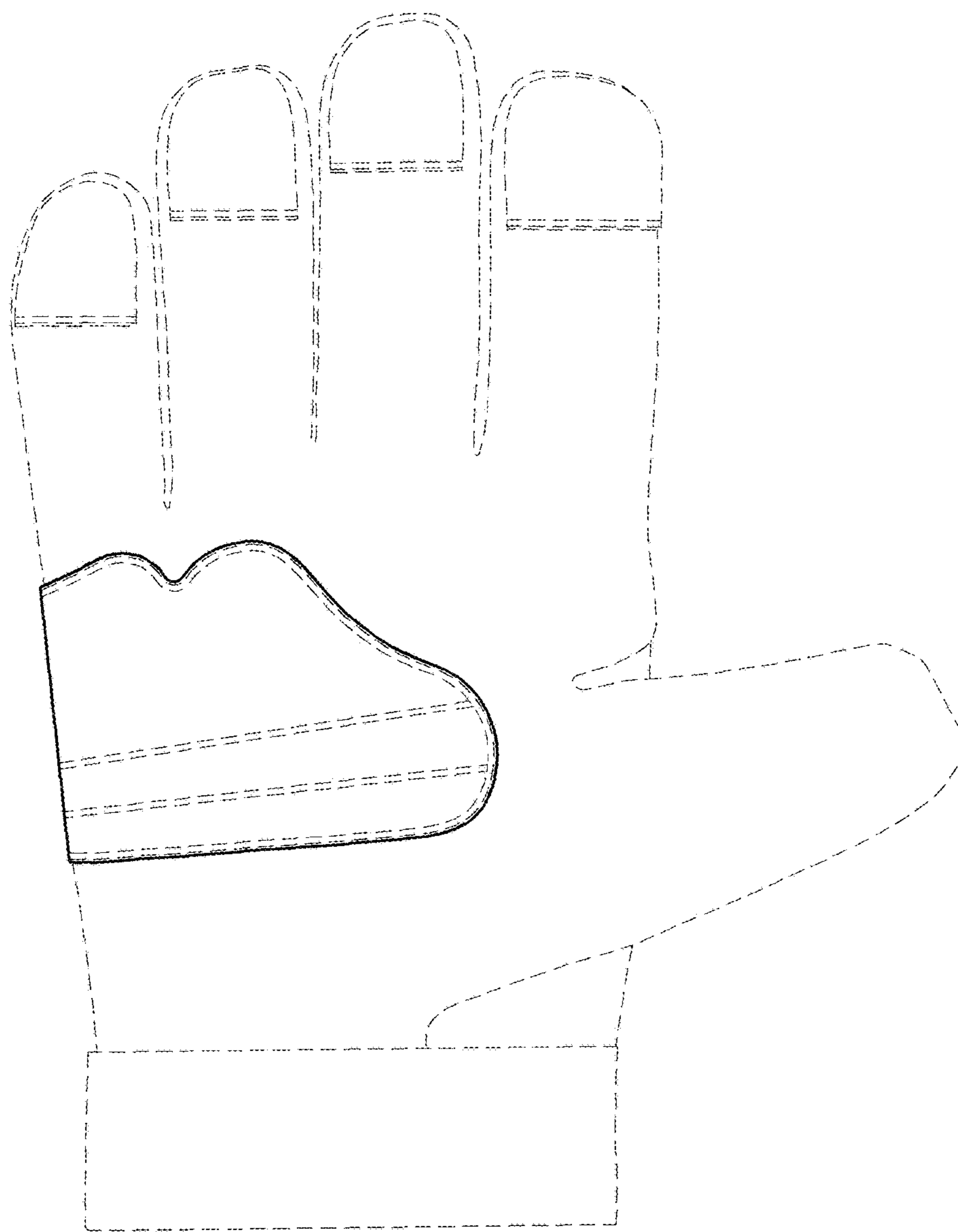
MidWest Quality Gloves catalog, p. 2, Copyright 1988, Chillicothe, MO.

MidWest Quality Gloves catalog, pp. 1-16 and insert, Copyright 2014, Chillicothe, MO.

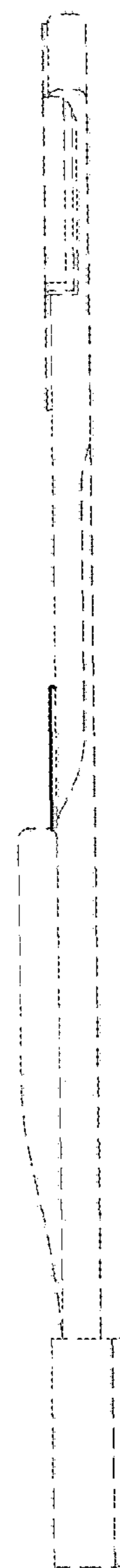
\* cited by examiner



*Fig. 1*



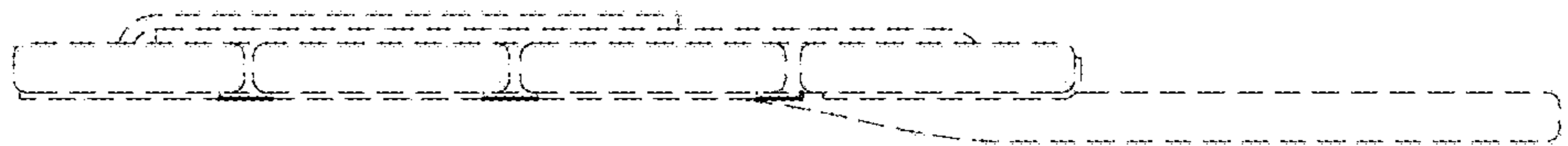
*Fig. 2*



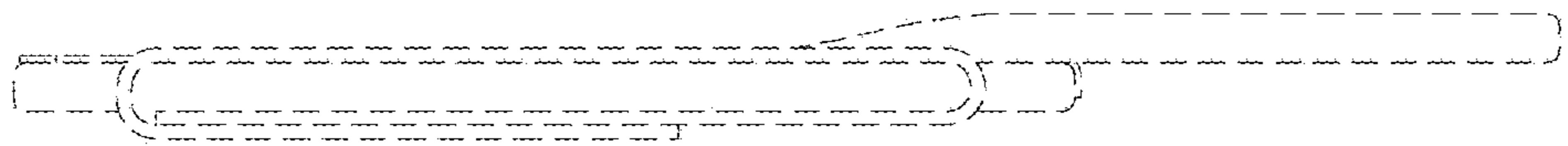
*Fig. 3*



*Fig. 4*



*Fig. 5*



*Fig. 6*