



US00D913598S

(12) **United States Design Patent**
Jesper et al.

(10) **Patent No.:** **US D913,598 S**
(45) **Date of Patent:** **** Mar. 16, 2021**

(54) **HEADSET**

(71) Applicant: **Invisio Communications A/S**,
Hvidovre (DK)
(72) Inventors: **Rye Boennelykke Jesper**, Valby (DK);
Normann Andersen Dennis, Ølstykke
(DK); **Bruun Larsen Andreas**,
Copenhagen (DK); **Berg Arnoldus**
Morten, Frederiksberg C (DK)

(73) Assignee: **INVISIO COMMUNICATIONS A/S**,
Hvidovre (DK)

(**) Term: **15 Years**

(21) Appl. No.: **35/507,191**

(22) Filed: **Jan. 31, 2019**

(80) **Hague Agreement Data**

Int. Filing Date: **Jan. 31, 2019**
Int. Reg. No.: **DM/201104**
Int. Reg. Date: **Jan. 31, 2019**
Int. Reg. Pub. Date: **Aug. 2, 2019**

(51) **LOC (13) Cl.** **29-02**

(52) **U.S. Cl.**
USPC **D29/112; D14/205**

(58) **Field of Classification Search**
USPC D14/205, 223, 204, 206, 224.1; D29/112
See application file for complete search history.

(56) **References Cited**

U.S. PATENT DOCUMENTS

D192,070 S * 1/1962 Wall D29/112
D336,647 S * 6/1993 Yamazaki D14/205
D391,573 S * 3/1998 Nakamura D14/205
D465,616 S * 11/2002 Nilsson A61F 11/14
D29/112
D509,323 S * 9/2005 Emilsson D29/112
D518,474 S * 4/2006 Suzuki D14/205

D588,098 S * 3/2009 Kurihara D14/205
D674,372 S * 1/2013 Kelly D14/205
D692,853 S * 11/2013 Nokuo D14/205
D713,384 S * 9/2014 McNamara D14/205
D729,193 S * 5/2015 Kirsch D14/205
D732,510 S * 6/2015 Masters D14/223
D737,799 S * 9/2015 Carr D14/205
D787,470 S * 5/2017 Kelly D14/205
D800,691 S * 10/2017 Ando D14/205
D802,556 S * 11/2017 Galler D14/205
D809,475 S * 2/2018 Dryden D14/205
D815,615 S * 4/2018 Wernblad D14/205

(Continued)

OTHER PUBLICATIONS

HyperX launches planar magnetic gaming headphones | posted at
theverge.com Jan. 7, 2019 [online]. © 2020 Vox Media [retrieved
May 20, 2019] from Internet: <<https://www.theverge.com/2019/1/7/18171636/hyperx-cloud-orbit-gaming-headphones-planar-magnetic-price-release-date-ces-2019>> (Year: 2019).*

Primary Examiner — Katherine Glennon
(74) *Attorney, Agent, or Firm* — Nixon Peabody LLP

(57) **CLAIM**

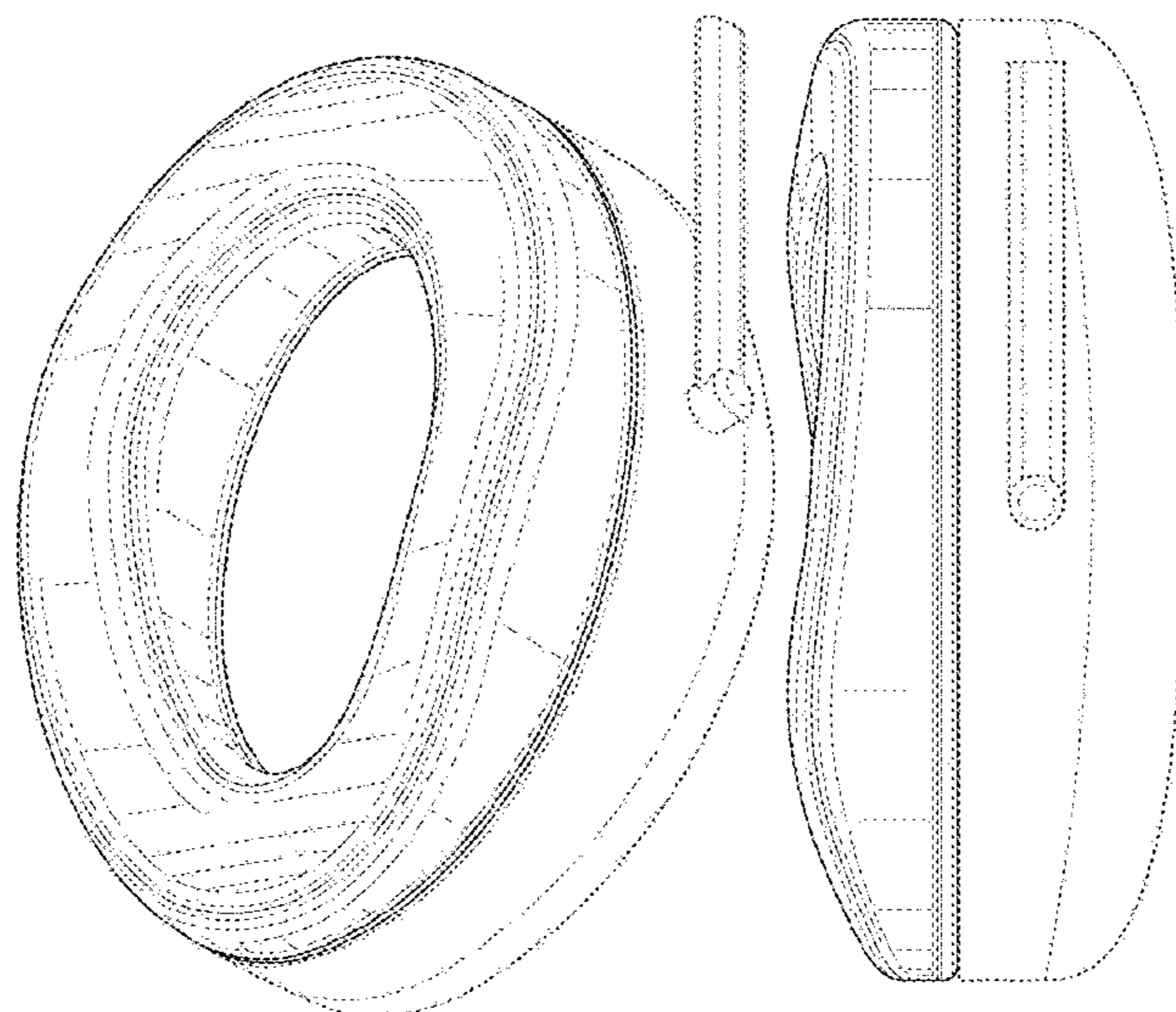
The ornamental design for a headset, as shown as described.

DESCRIPTION

1.1 is a perspective view of a headset showing the new design;
1.2 is a front view thereof;
1.3 is a right side view thereof;
1.4 is a left side view thereof;
1.5 is a top view thereof; and
1.6 is a bottom view thereof.

The broken lines in the drawings show portions of the headset that form no part of the claimed design. Shading lines illustrate the curvatures of the design and form no part of the claimed design. The back view of the design is omitted and forms no part of the claimed design.

1 Claim, 6 Drawing Sheets



(56)

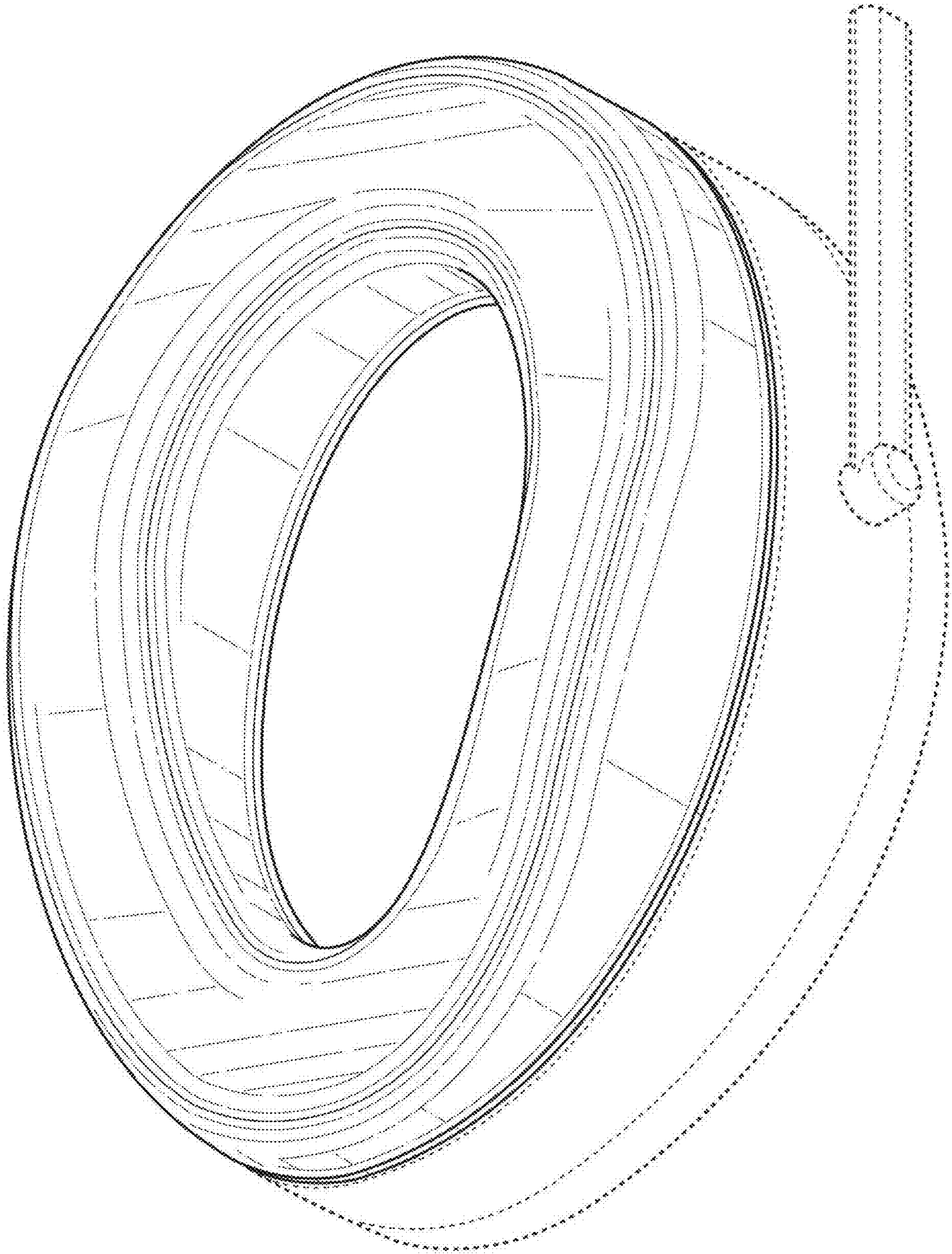
References Cited

U.S. PATENT DOCUMENTS

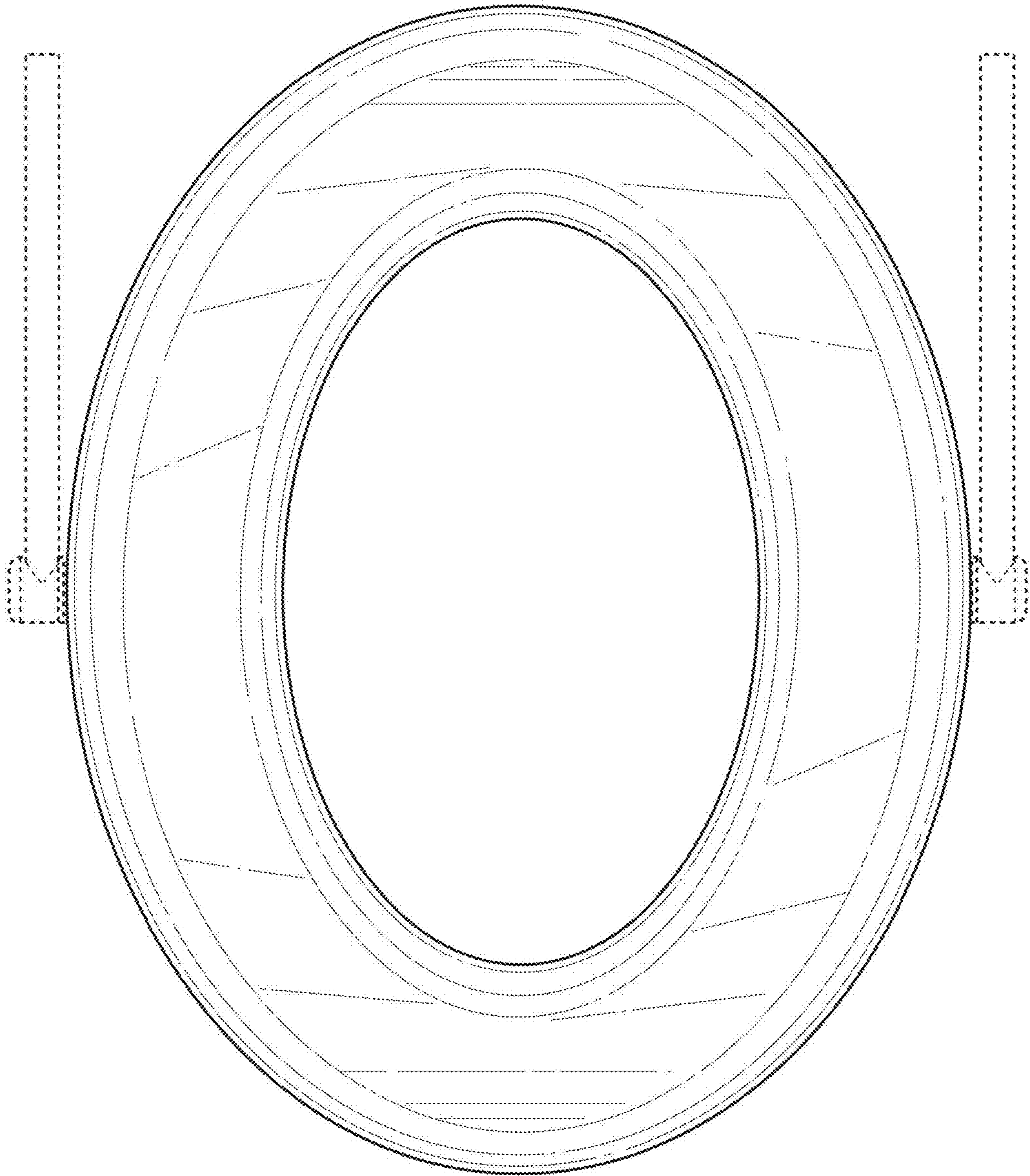
D830,333 S * 10/2018 Carr D14/205
D837,763 S * 1/2019 Suzuki D14/205
D837,764 S * 1/2019 Xiao D14/205
2010/0158301 A1* 6/2010 Kuhtz H04R 1/1008
381/374
2015/0281828 A1* 10/2015 Horikawa H04R 1/1058
381/371
2016/0286019 A1* 9/2016 Broadley H04R 1/1041
2018/0220219 A1* 8/2018 Karacal H04R 1/1066
2018/0316999 A1* 11/2018 Bellas H04R 1/1008

* cited by examiner

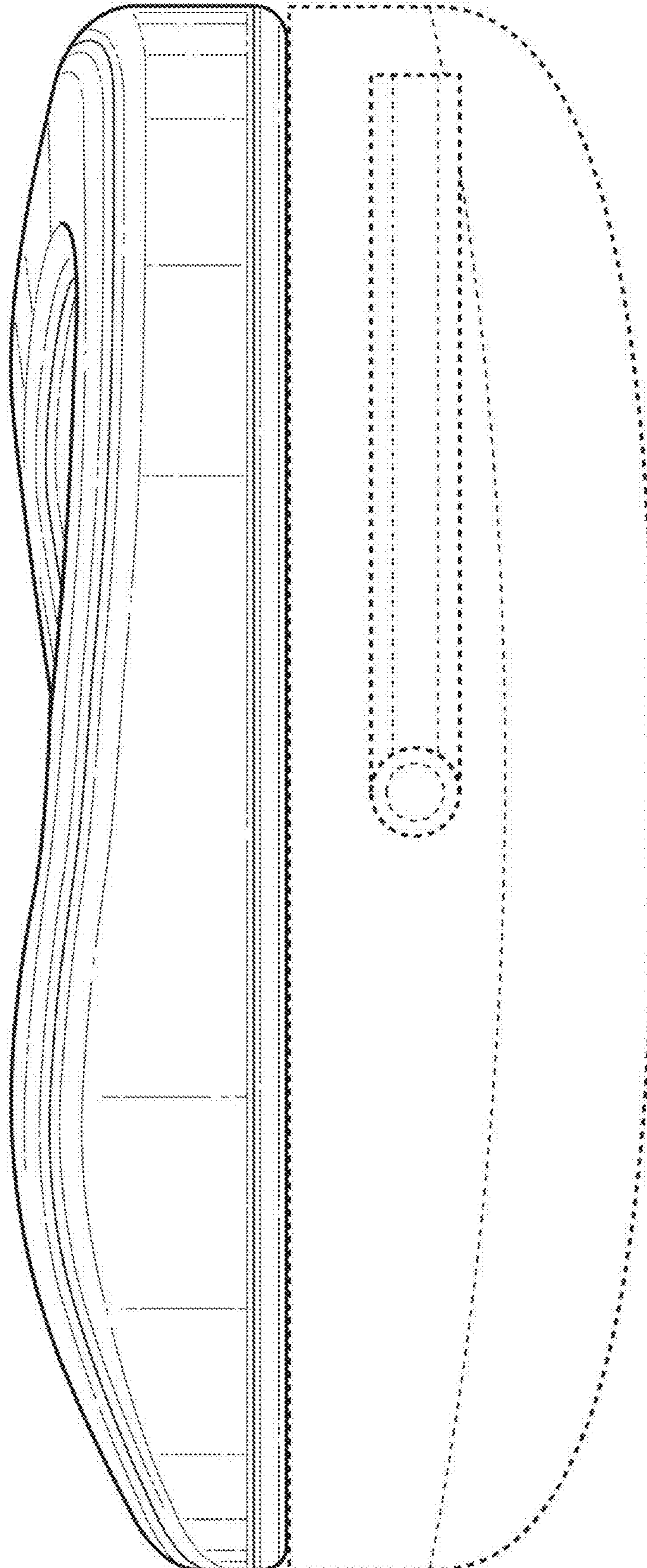
1.1



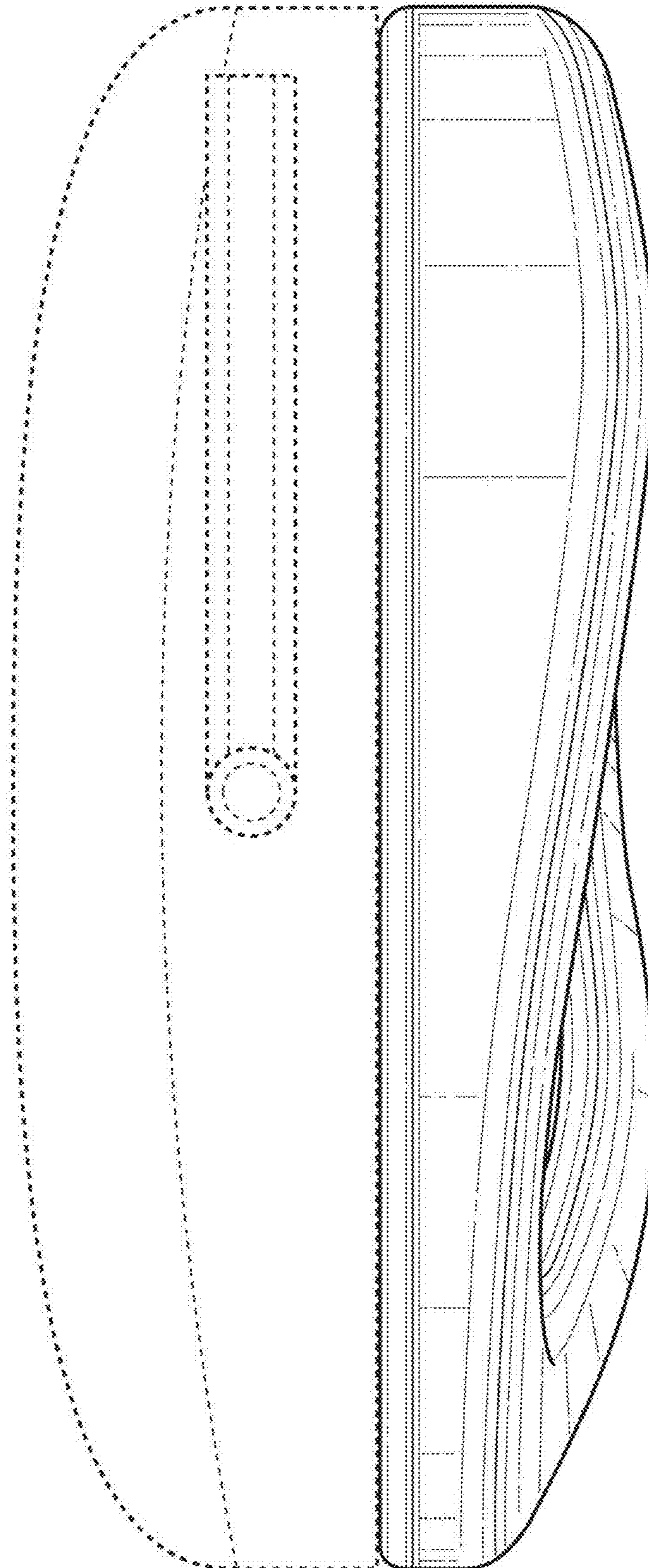
1.2



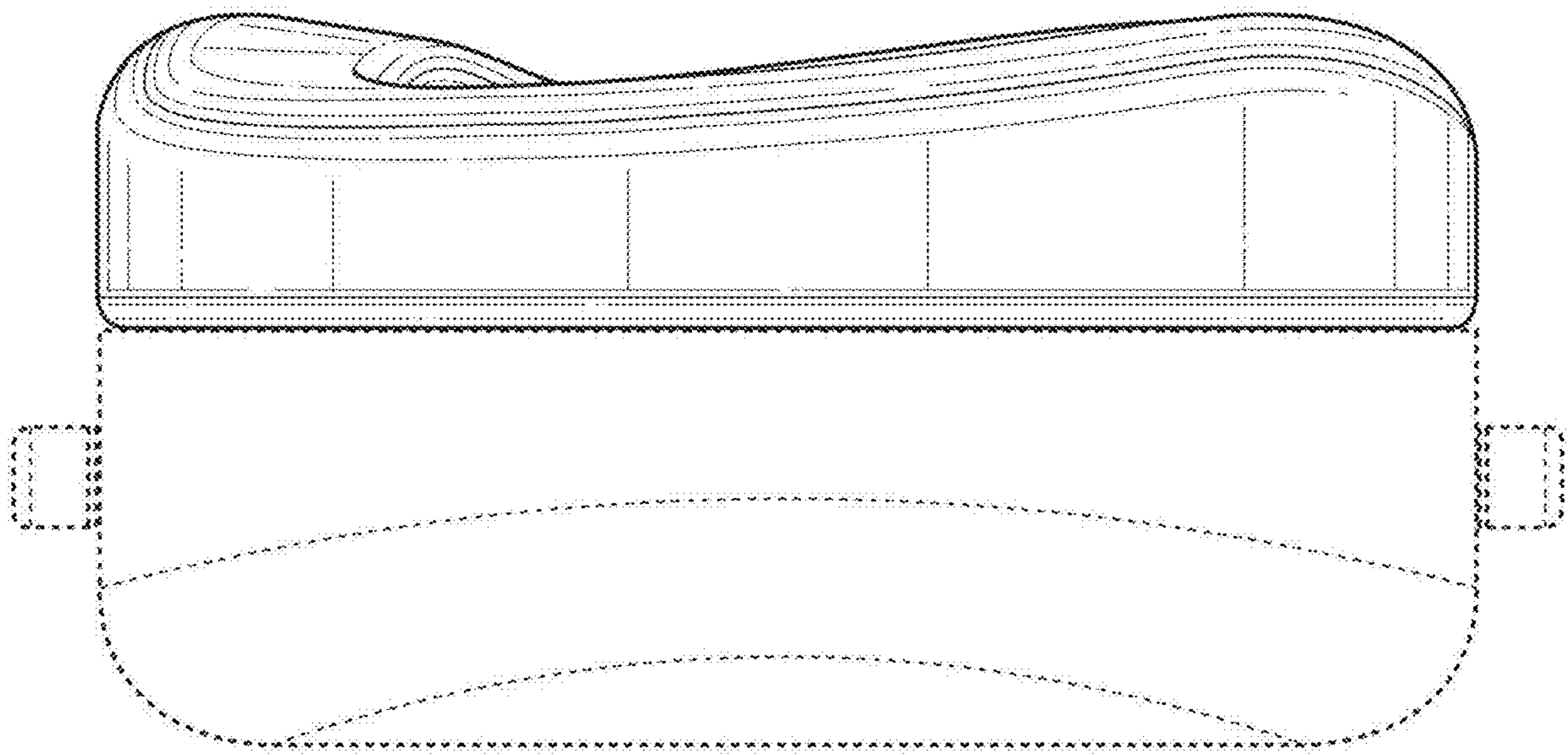
1.3



1.4



1.5



1.6

