



US00D913597S

(12) **United States Design Patent**
Wurapa et al.

(10) **Patent No.:** **US D913,597 S**

(45) **Date of Patent:** **** Mar. 16, 2021**

(54) **PROTECTIVE SHIELD**

(71) Applicant: **Form5 Prosthetics Inc.**, New Albany,
OH (US)

(72) Inventors: **Raymond K Wurapa**, New Albany,
OH (US); **Aaron Westbrook**, New
Albany, OH (US); **Lindsey Austin**,
New Albany, OH (US); **Jay F. Perkins**,
New Albany, OH (US)

(73) Assignee: **Form5 Prosthetics Inc.**, New Albany,
OH (US)

(**) Term: **15 Years**

(21) Appl. No.: **29/730,447**

(22) Filed: **Apr. 3, 2020**

(51) **LOC (13) Cl.** **29-02**

(52) **U.S. Cl.**
USPC **D29/110**

(58) **Field of Classification Search**
USPC D29/105-110, 123; D24/110.1-110.2;
D2/866, 893; D28/10
See application file for complete search history.

(56) **References Cited**

U.S. PATENT DOCUMENTS

D314,452 S * 2/1991 Accardi D29/110
D320,478 S * 10/1991 Metcalfe D29/110

D349,178 S * 7/1994 Russell D29/110
D374,951 S * 10/1996 Machson D29/110
7,725,949 B2 * 6/2010 Landis A61F 9/029
2/9
D879,383 S * 3/2020 Bowen D29/110

* cited by examiner

Primary Examiner — Robert A Delehanty
(74) *Attorney, Agent, or Firm* — McNeese Wallace &
Nurick LLC

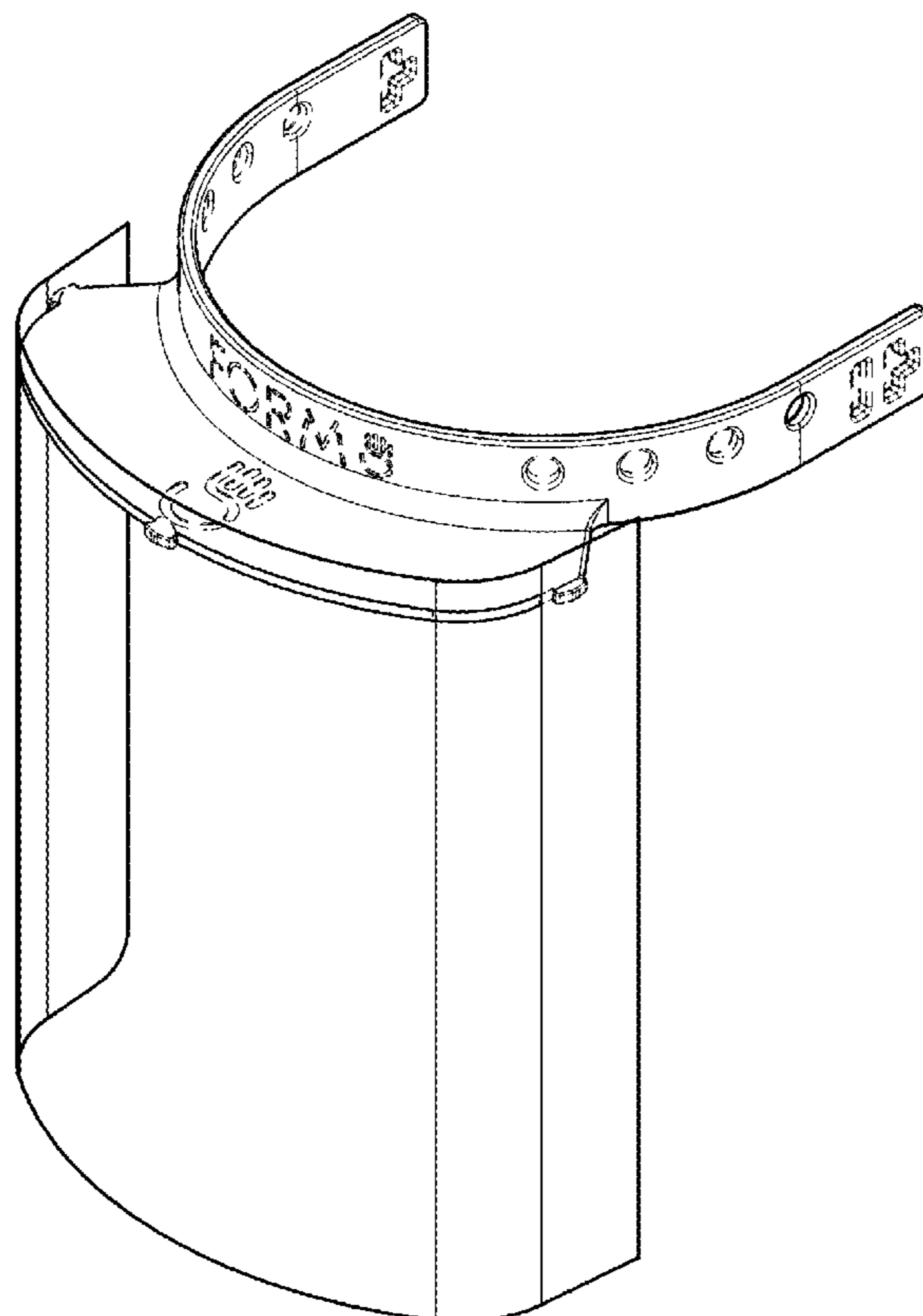
(57) **CLAIM**

The ornamental design for a protective shield, as shown and
described.

DESCRIPTION

FIG. 1 is a top-front-right perspective view of a protective
shield, showing the design;
FIG. 2 is a bottom-front-left perspective view of the pro-
tective shield of FIG. 1;
FIG. 3 is a front view of the protective shield of FIG. 1;
FIG. 4 is a right view of the protective shield of FIG. 1;
FIG. 5 is a rear view of the protective shield of FIG. 1;
FIG. 6 is a left view of the protective shield of FIG. 1;
FIG. 7 is a top view of the protective shield of FIG. 1; and,
FIG. 8 is a bottom view of the protective shield of FIG. 1.
The broken lines in the drawings illustrate environmental
subject matter that forms no part of the claimed design.

1 Claim, 4 Drawing Sheets



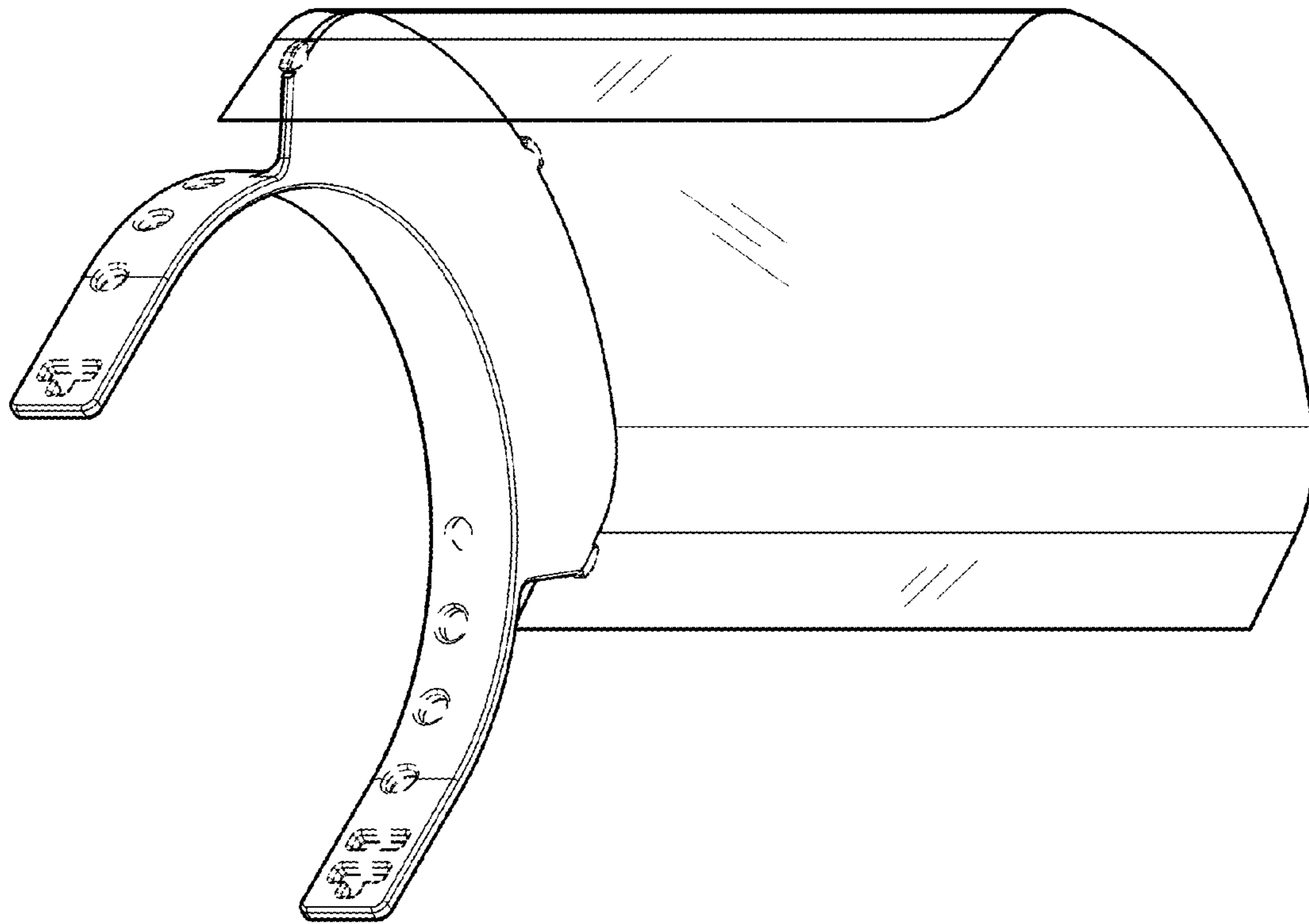


FIG. 1

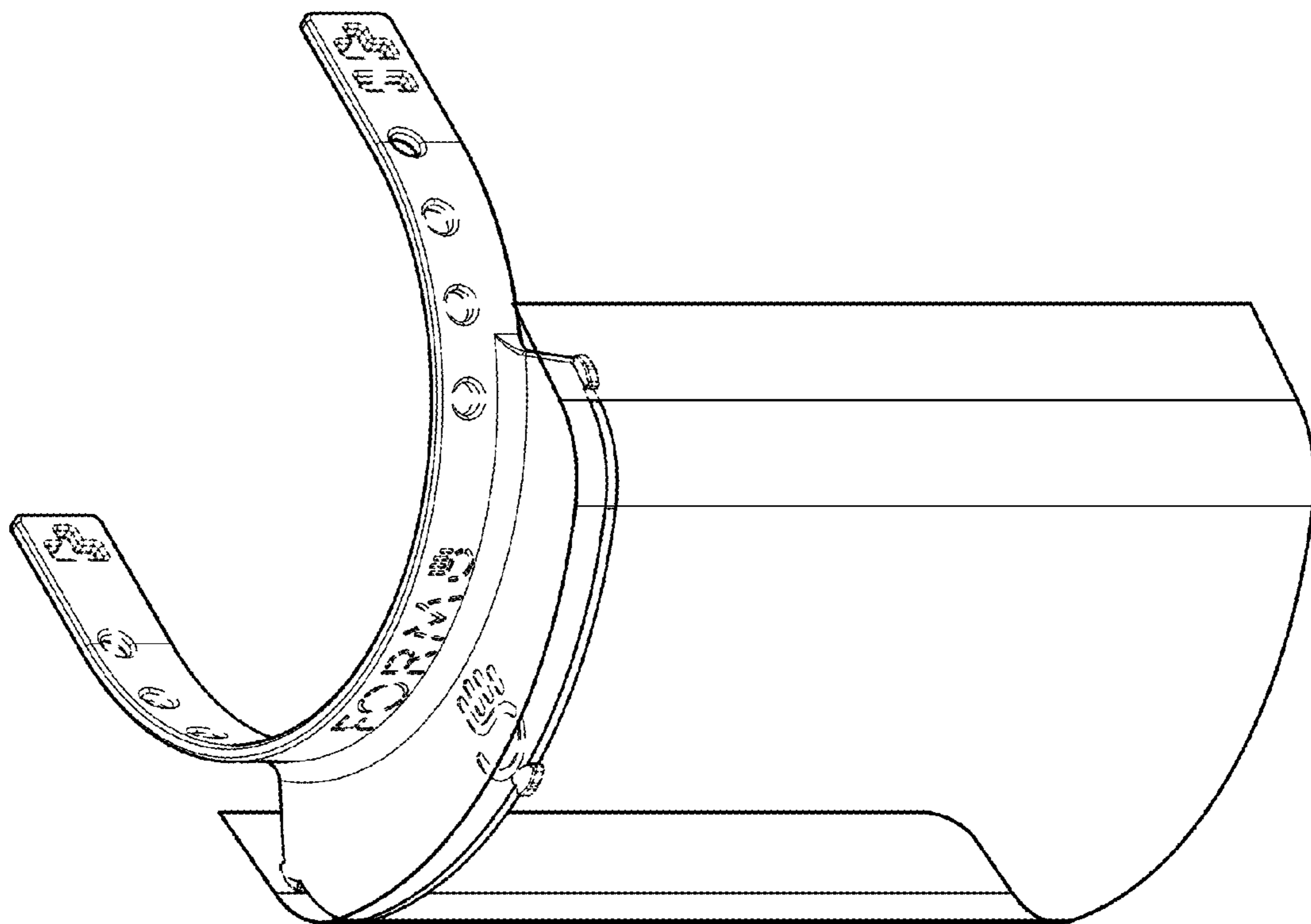


FIG. 2

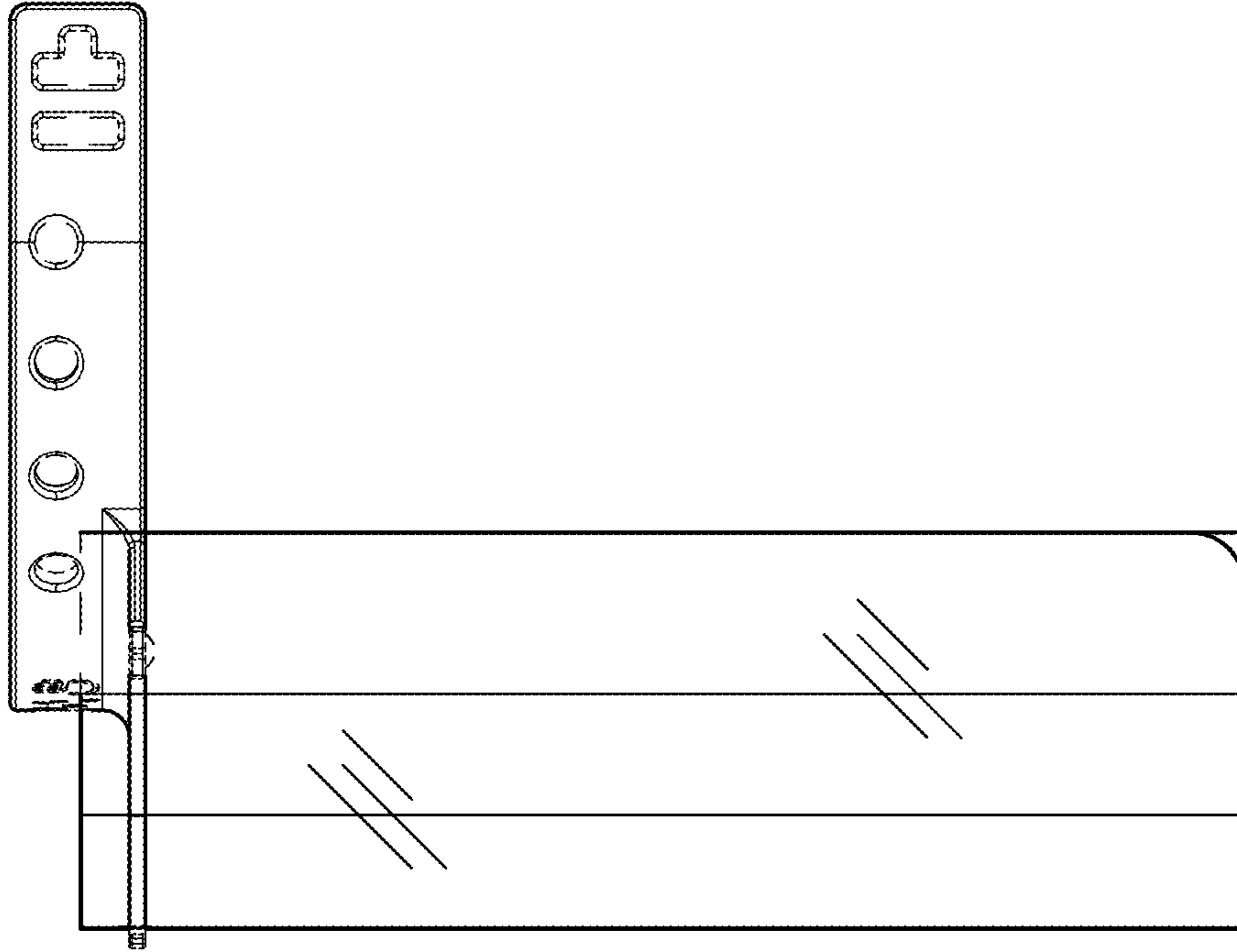


FIG. 3

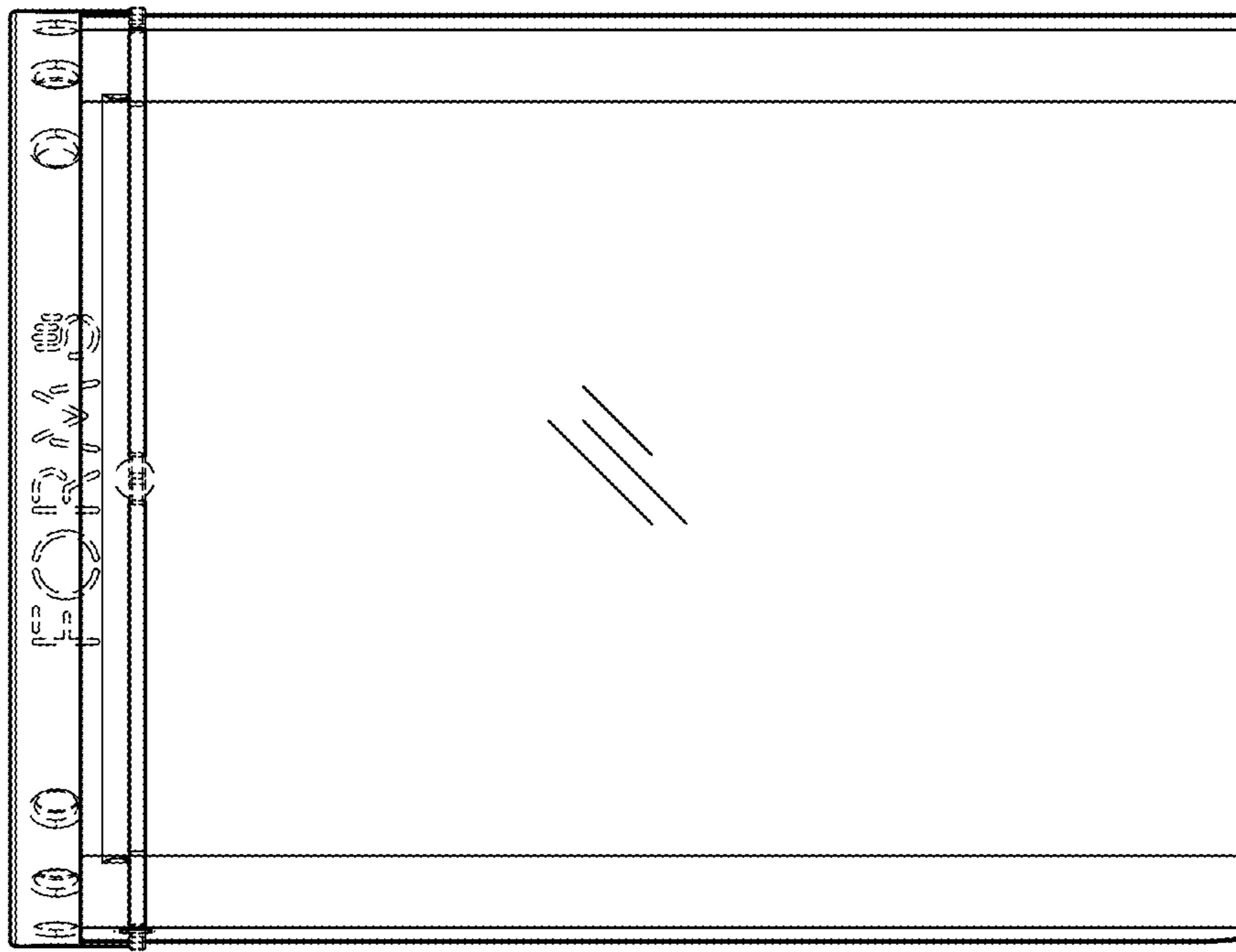


FIG. 4



FIG. 5

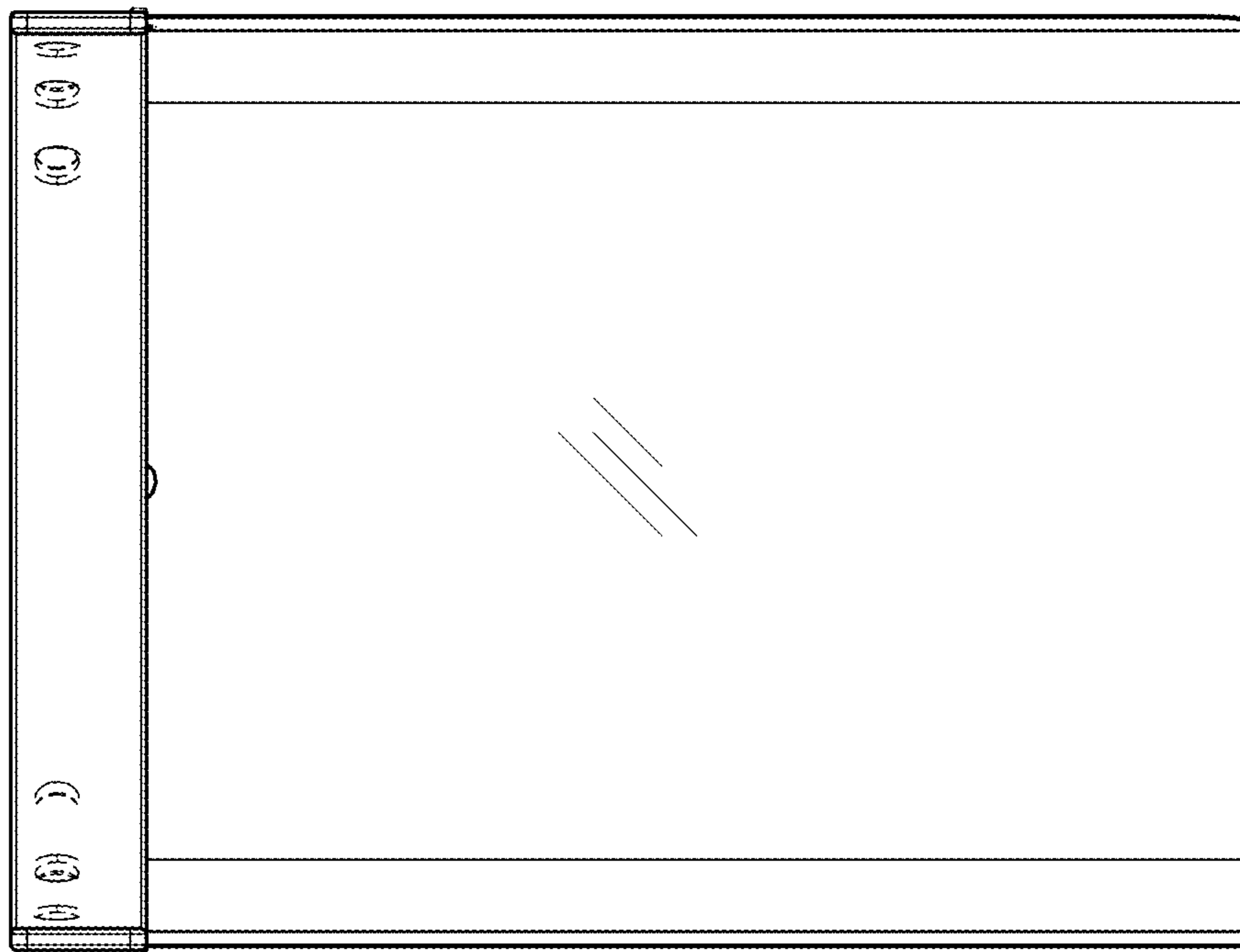


FIG. 6

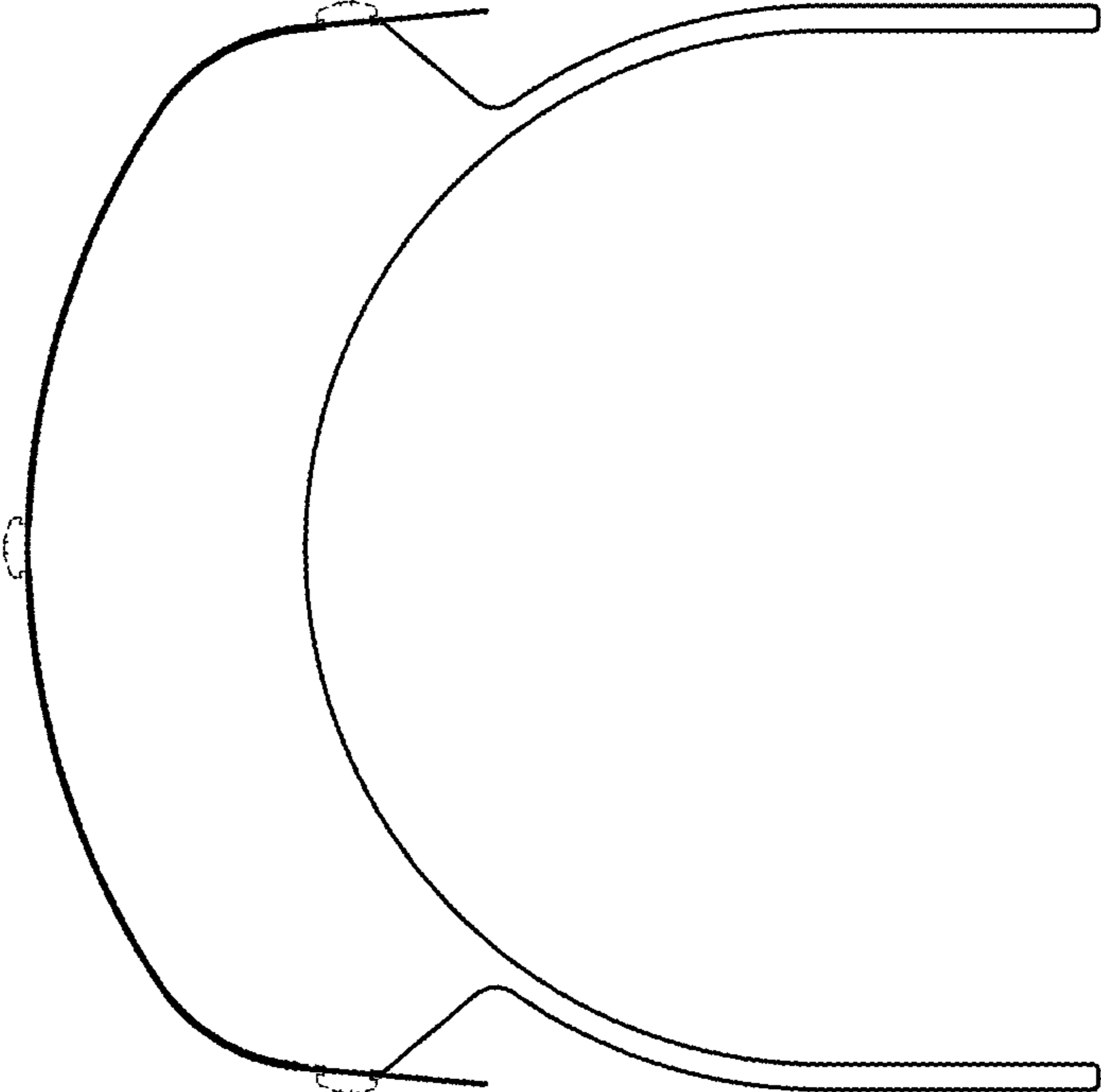


FIG. 8

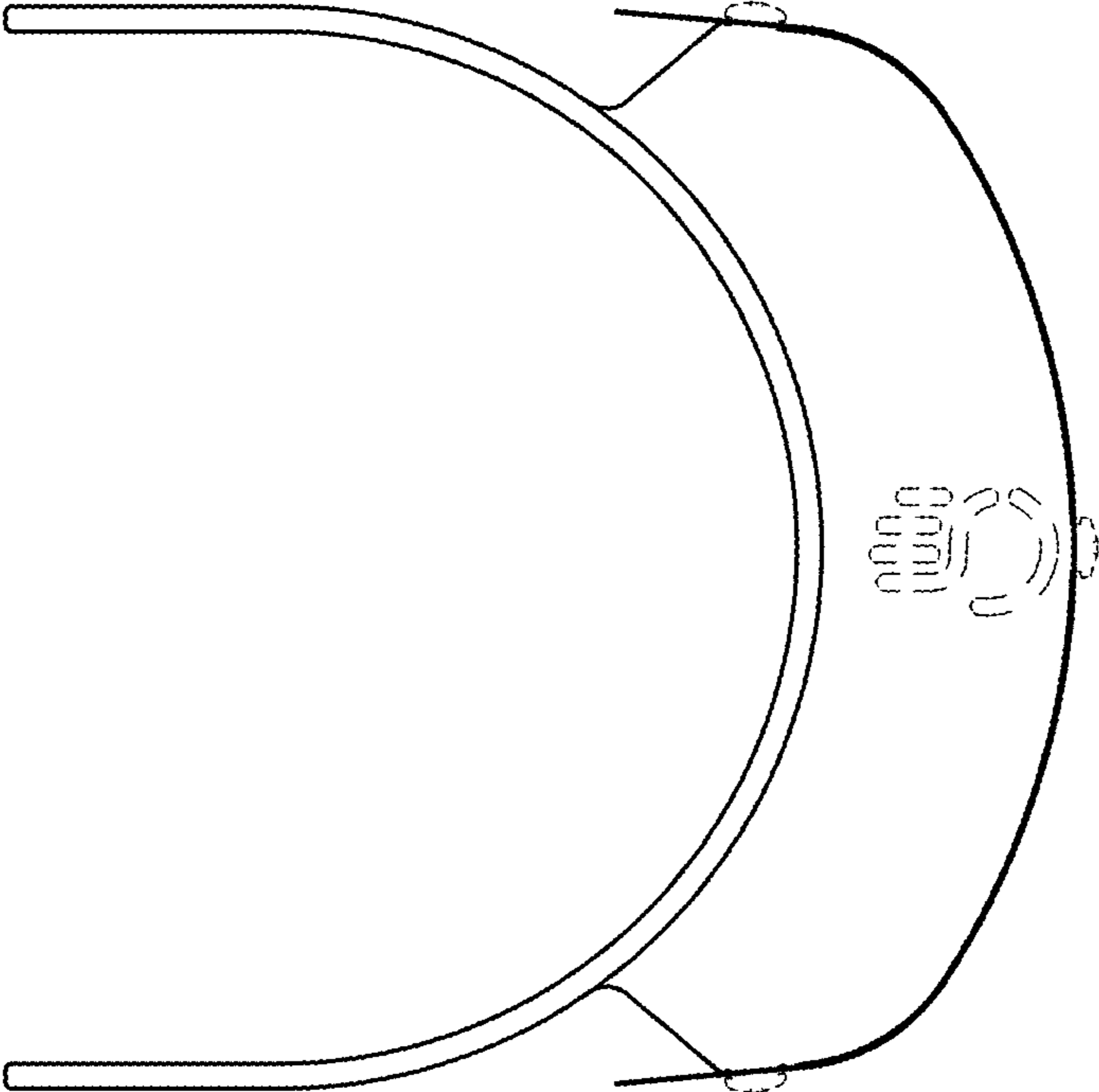


FIG. 7