



US00D913594S

(12) **United States Design Patent** (10) **Patent No.:** **US D913,594 S**
Zhang (45) **Date of Patent:** **** Mar. 16, 2021**

(54) **MULTIFUNCTIONAL COSMETIC CASE**

(71) Applicant: **Guiqiang Zhang**, Hechi (CN)

(72) Inventor: **Guiqiang Zhang**, Hechi (CN)

(**) Term: **15 Years**

(21) Appl. No.: **29/685,830**

(22) Filed: **Apr. 1, 2019**

(51) **LOC (13) Cl.** **28-03**

(52) **U.S. Cl.**
USPC **D28/83**

(58) **Field of Classification Search**
USPC D28/36, 64.1, 76-84, 85-91, 99;
D9/430-433, 435, 503-505, 722, 737,
D9/756, 759, 529; D3/295; D19/103,
D19/106, 112; D13/108
CPC A45D 33/006; A45D 33/003; A45D
33/04-33; A45D 33/025; A45D 33/02;
A45D 33/20; A45D 33/22; A45D 33/24;
A45D 33/26; A45D 33/28; A45D 33/18;
A45D 40/22; A45D 40/222; A45D 40/24;
A41G 5/02

See application file for complete search history.

(56) **References Cited**

U.S. PATENT DOCUMENTS

5,655,553	A *	8/1997	Giese	A45D 40/22 132/293
D561,944	S *	2/2008	Ashiwa	D28/83
D643,155	S *	8/2011	Ohmoto	D28/83
D655,046	S *	2/2012	Nakamura	D28/83
D823,544	S *	7/2018	Nguyen	D28/83
D843,660	S *	3/2019	Staab	D28/83
D850,006	S *	5/2019	Staab	D28/83
10,362,823	B1 *	7/2019	Hill	B65D 85/70
D863,685	S *	10/2019	Staab	D28/83

D880,071	S *	3/2020	Weinrich	D28/83
2004/0244811	A1 *	12/2004	Chen	A45D 33/18 132/301
2012/0055503	A1 *	3/2012	Kuo	A45D 33/006 132/293
2013/0061867	A1 *	3/2013	Kim	A45D 33/26 132/293

OTHER PUBLICATIONS

Amazon.com _ Yidoblo 9990K Touchable Dimmable LED Light With Storage Case For Artist Makeup Carrying Case for Makeup (AS-20 WB), retrieved on Aug. 7, 2020, retrieved from the Internet URL: <https://www.amazon.com/Touchable-Dimmable-Carrying-Portrait-Photograph/dp/B07QK6T9BT?th=1>.*

* cited by examiner

Primary Examiner — Jennifer Rivard
Assistant Examiner — Alison M Ofstun

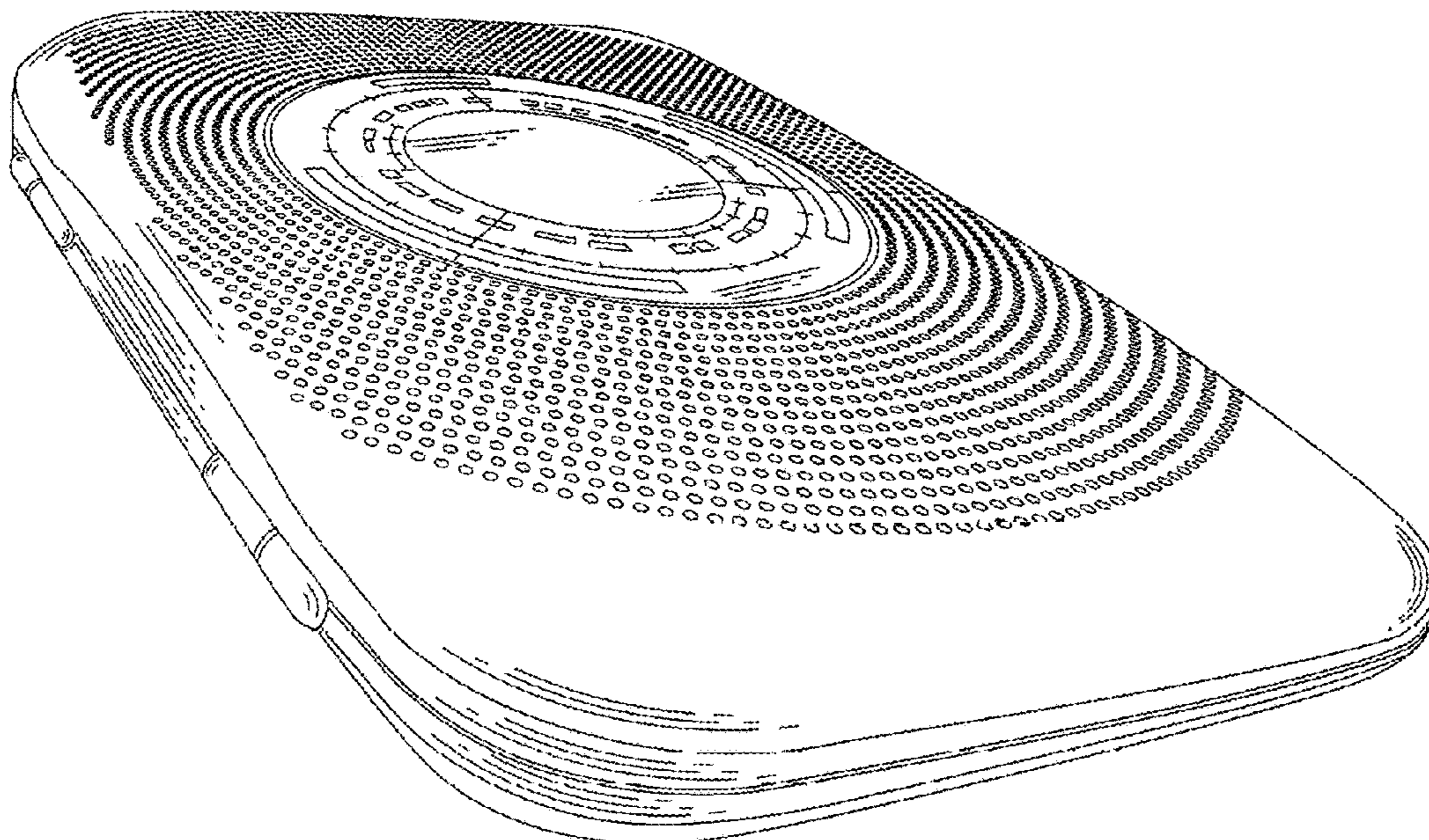
(57) **CLAIM**

The ornamental design for a multifunctional cosmetic case, as shown and described.

DESCRIPTION

FIG. 1 is a top, rear, left side perspective view of a multifunctional cosmetic case showing my new design, shown in a closed position of use;
FIG. 2 is a top plan view thereof;
FIG. 3 is a bottom plan view thereof;
FIG. 4 is a left side elevation view thereof;
FIG. 5 is a right side elevation view thereof;
FIG. 6 is a front elevation view thereof;
FIG. 7 is a rear elevation view thereof; and,
FIG. 8 is a perspective view thereof, shown in an open position of use.
The broken lines depict portions of the multifunctional cosmetic case and form no part of the claimed design.

1 Claim, 8 Drawing Sheets



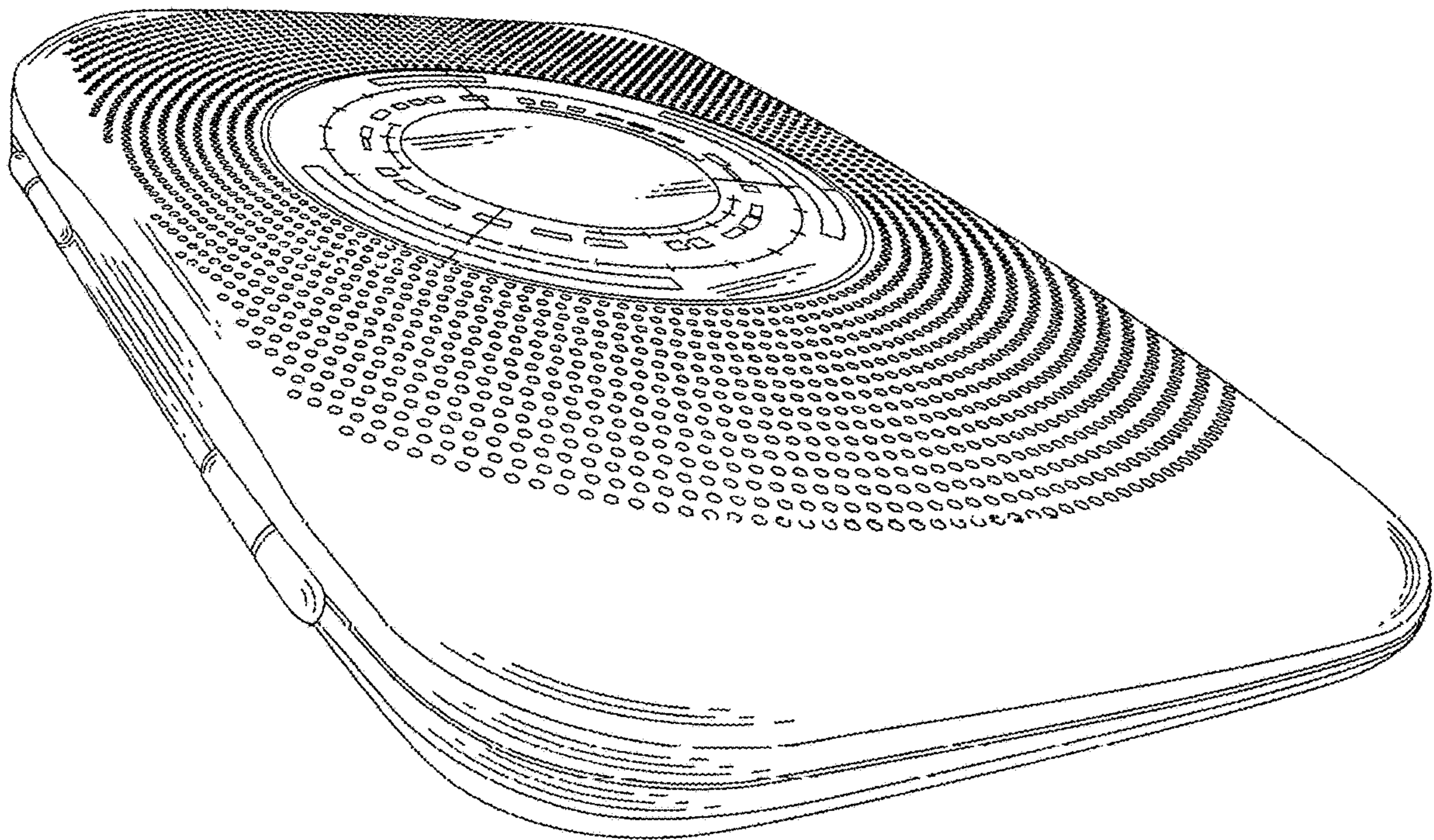


FIG.1

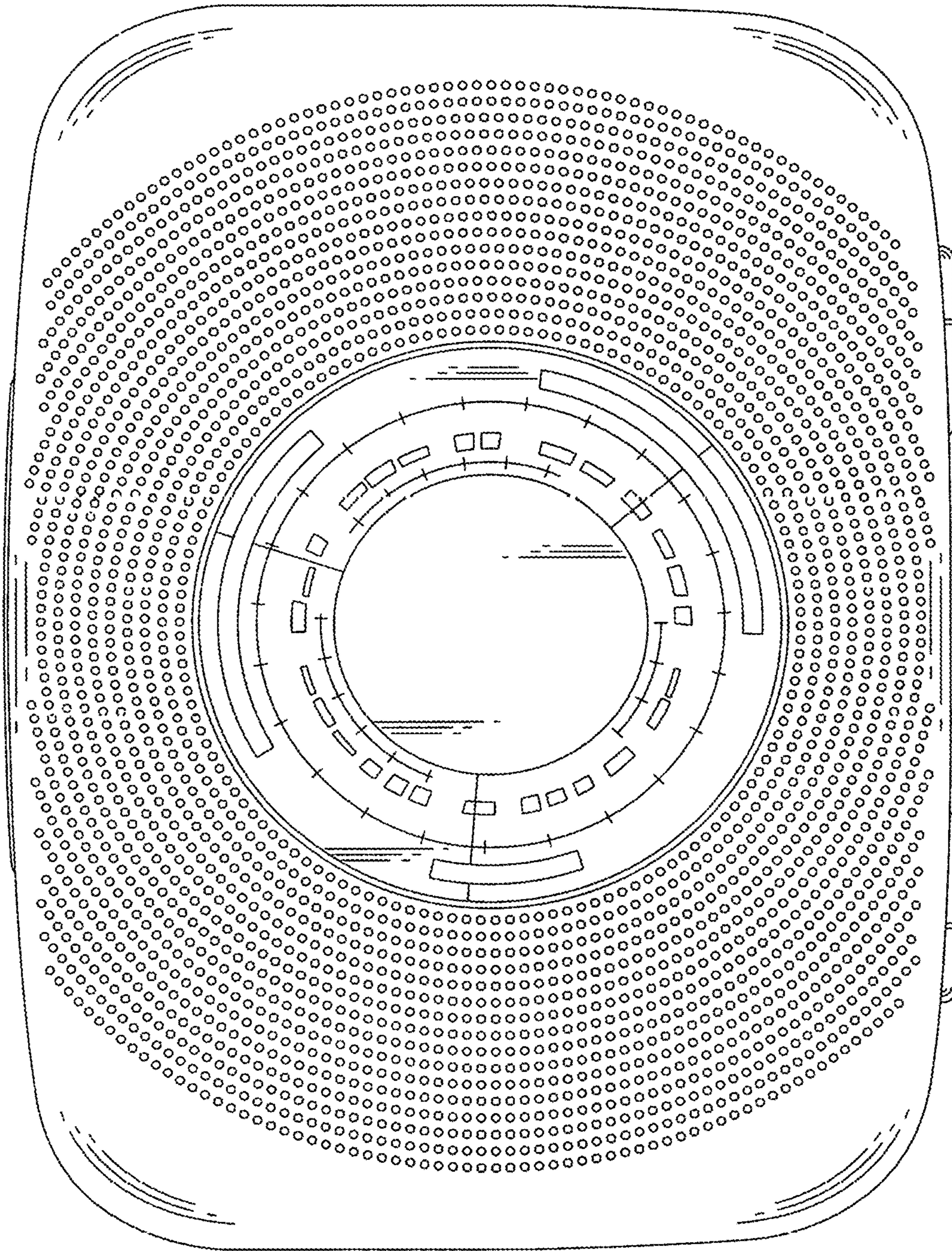


FIG.2

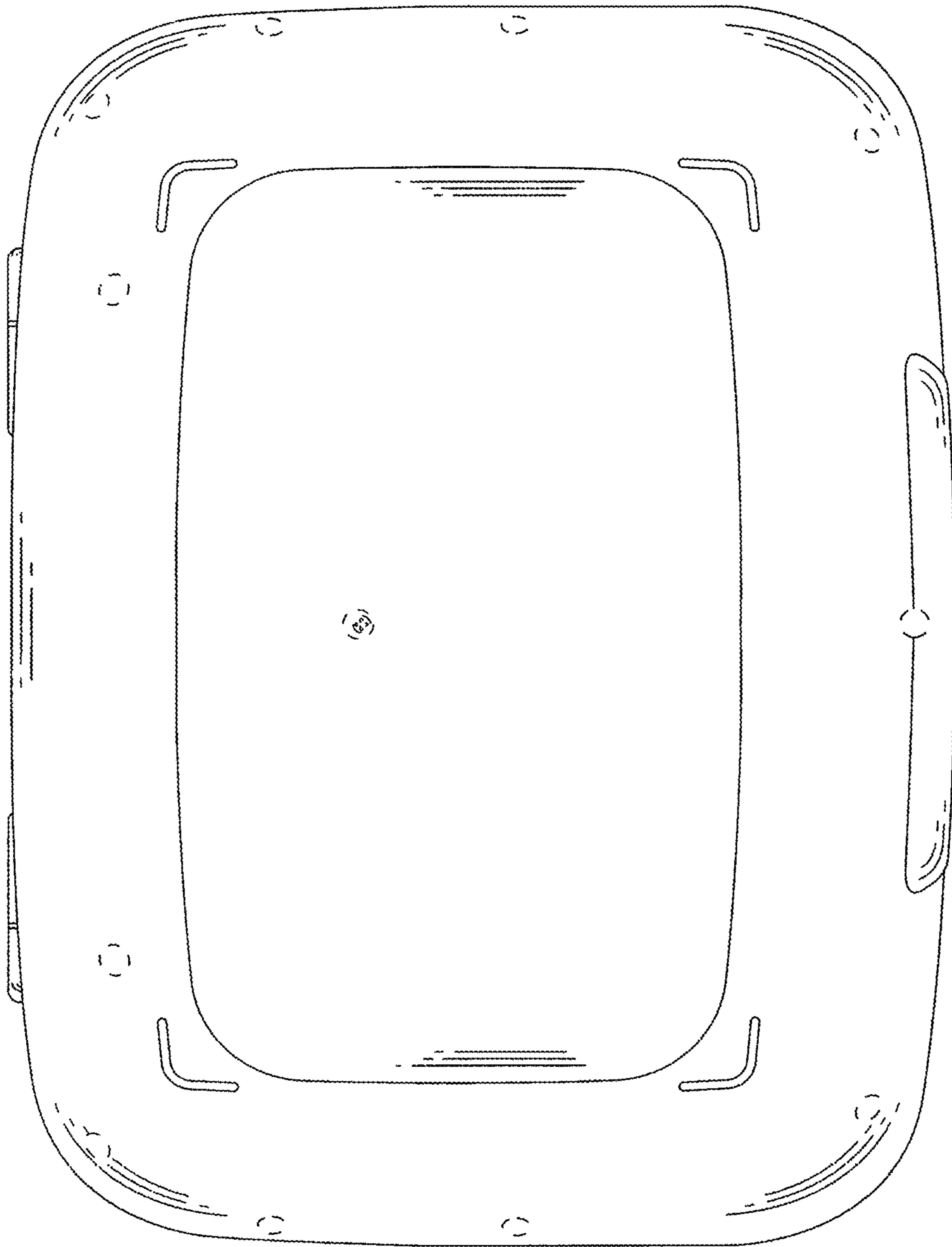


FIG.3

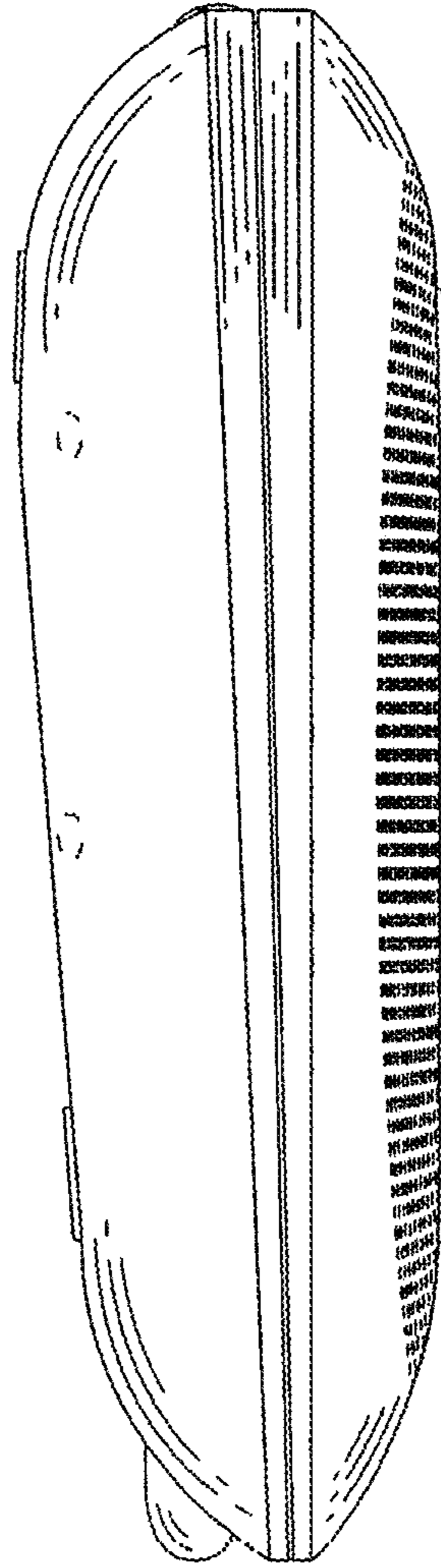


FIG.4

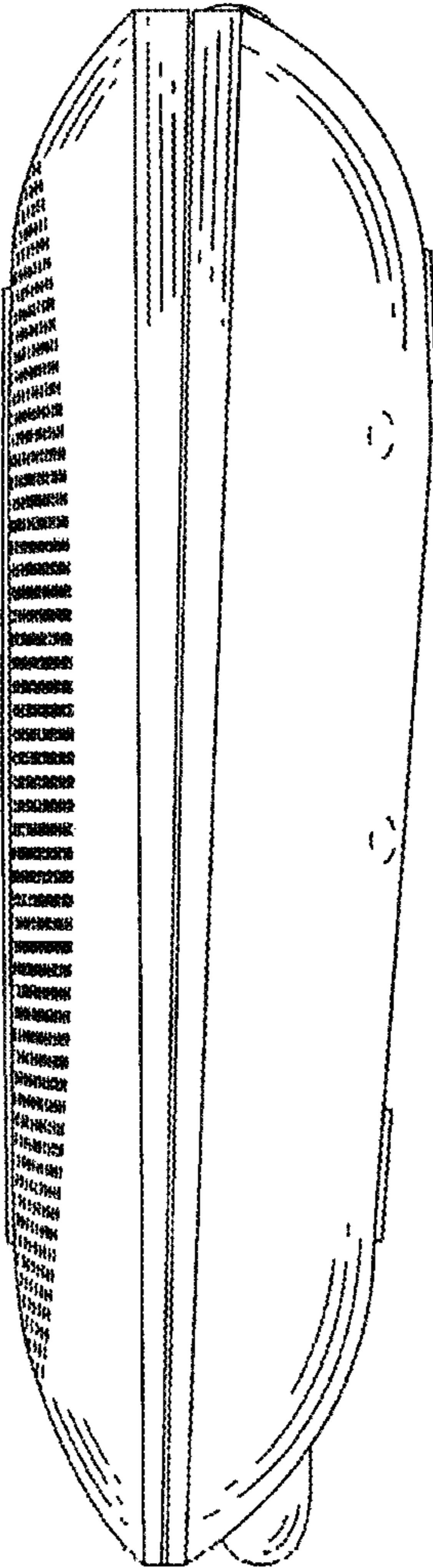


FIG.5

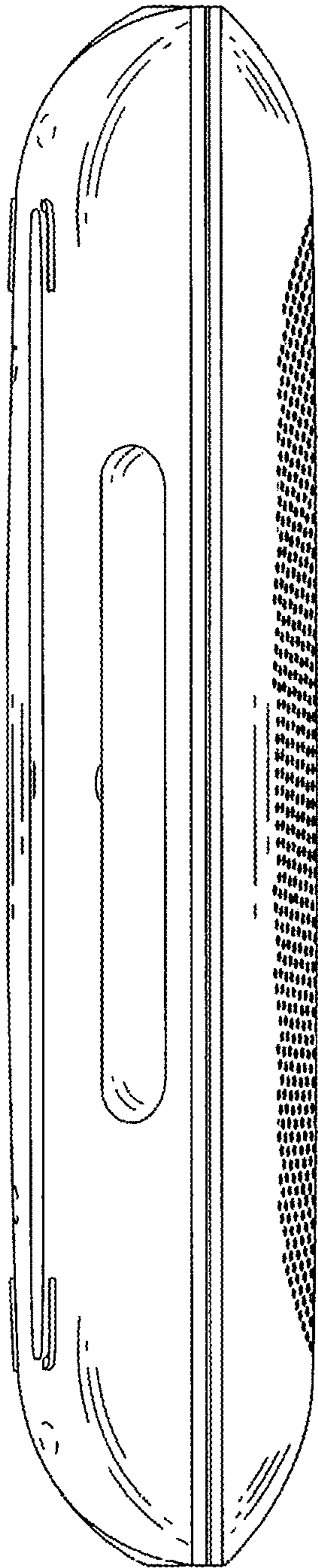


FIG.6

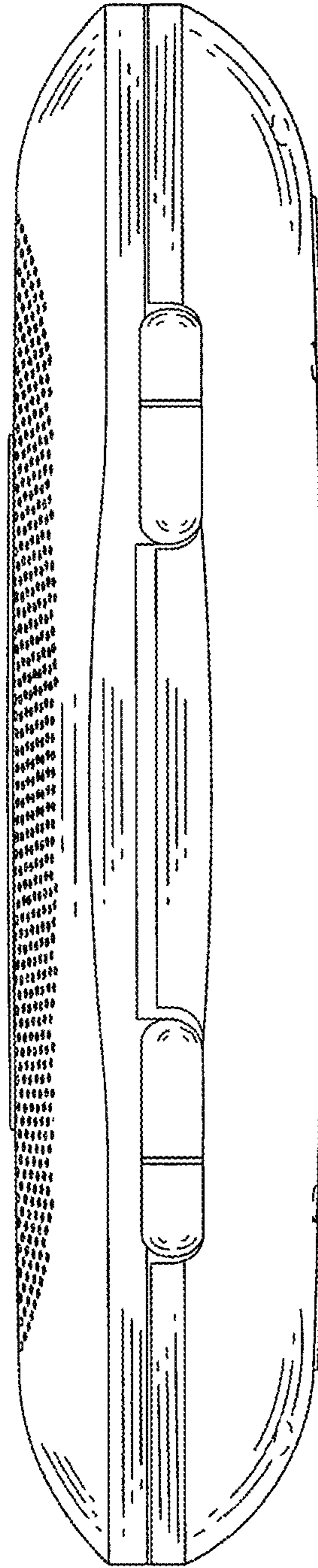


FIG. 7

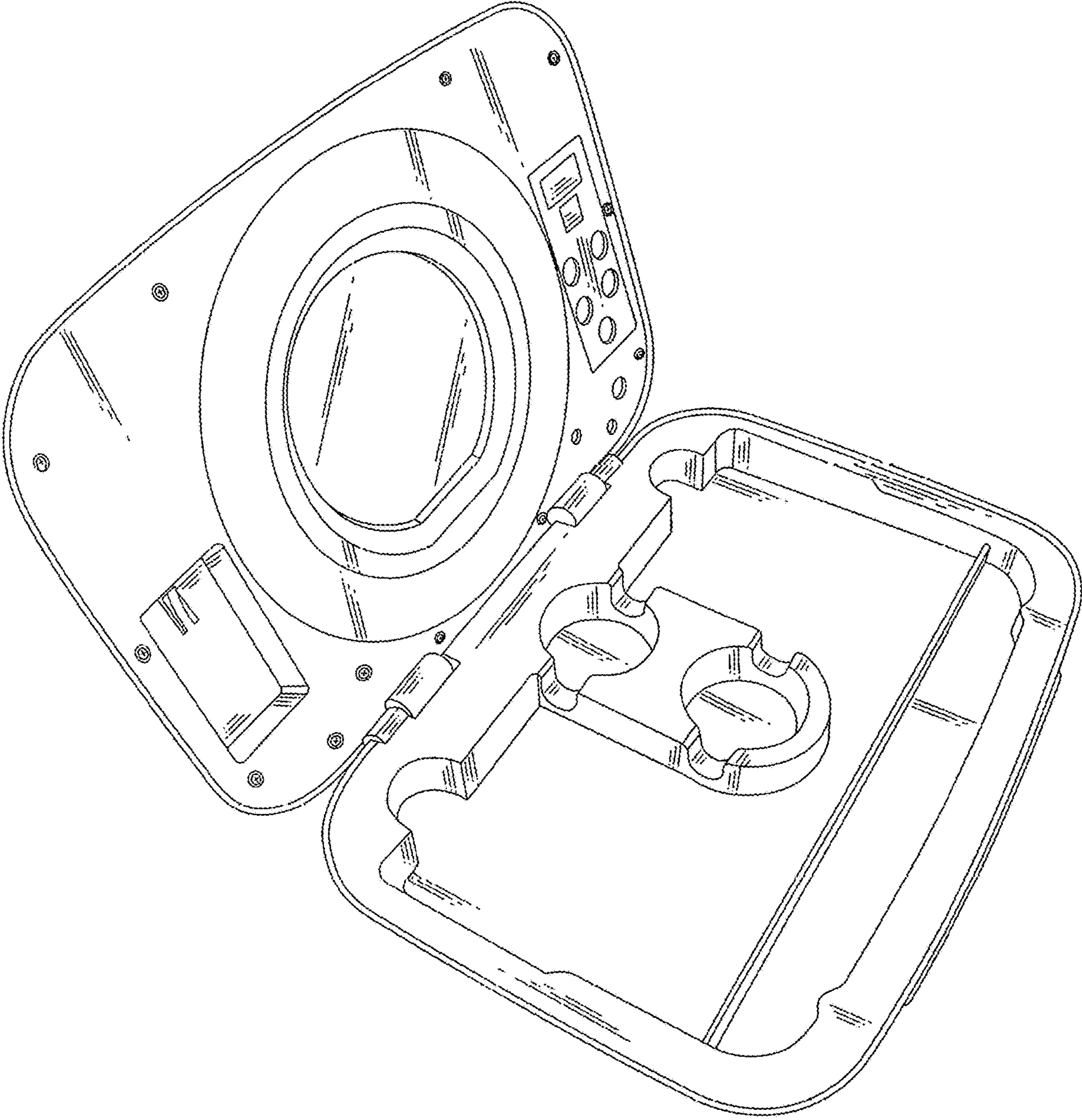


FIG. 8