



US00D913591S

(12) **United States Design Patent** (10) **Patent No.:** **US D913,591 S**
Ramm et al. (45) **Date of Patent:** **** Mar. 16, 2021**

(54) **SHAVING RAZOR CARTRIDGE**

(71) Applicant: **The Procter & Gamble Company**, Cincinnati, OH (US)

(72) Inventors: **Christopher Ramm**, North Attleboro, MA (US); **Philipp Goeder**, Frankfurt (DE)

(73) Assignee: **The Gillette Company LLC**, Boston, MA (US)

(**) Term: **15 Years**

(21) Appl. No.: **29/650,047**

(22) Filed: **Jun. 4, 2018**

(51) **LOC (13) Cl.** **28-03**

(52) **U.S. Cl.**
USPC **D28/47**

(58) **Field of Classification Search**
USPC D28/44–54
CPC ... B26B 21/00–12; B26B 21/14; B26B 21/16; B26B 21/165; B26B 21/18; B26B 21/185; B26B 21/20–227; B26B 19/00; B26B 19/10; B26B 19/12; B26B 19/14; B26B 19/38; B26B 19/02–107
See application file for complete search history.

D638,580 S 5/2011 Adams et al.
D640,415 S * 6/2011 Wonderley D28/47
D653,395 S 1/2012 Adams et al.
D662,661 S 6/2012 Corbeil et al.
D772,484 S * 11/2016 Otsuka D28/47
D776,875 S * 1/2017 Ren D28/47
D829,380 S * 9/2018 Kong D28/47
2005/0011073 A1 * 1/2005 Sandor A61K 8/361
30/41
2006/0080837 A1 * 4/2006 Johnson B26B 21/44
30/50
2014/0259675 A1 * 9/2014 Tucker B26B 21/4012
30/41
2016/0158948 A1 6/2016 Eagleton et al.
2019/0099905 A1 * 4/2019 Park B26B 21/225
2019/0202076 A1 * 7/2019 Park B26B 21/225

* cited by examiner

Primary Examiner — Jennifer Rivard
Assistant Examiner — Alison M Ofstun
(74) *Attorney, Agent, or Firm* — John M. Lipchitz

(57) **CLAIM**

The ornamental design for a shaving razor cartridge, as shown and described.

DESCRIPTION

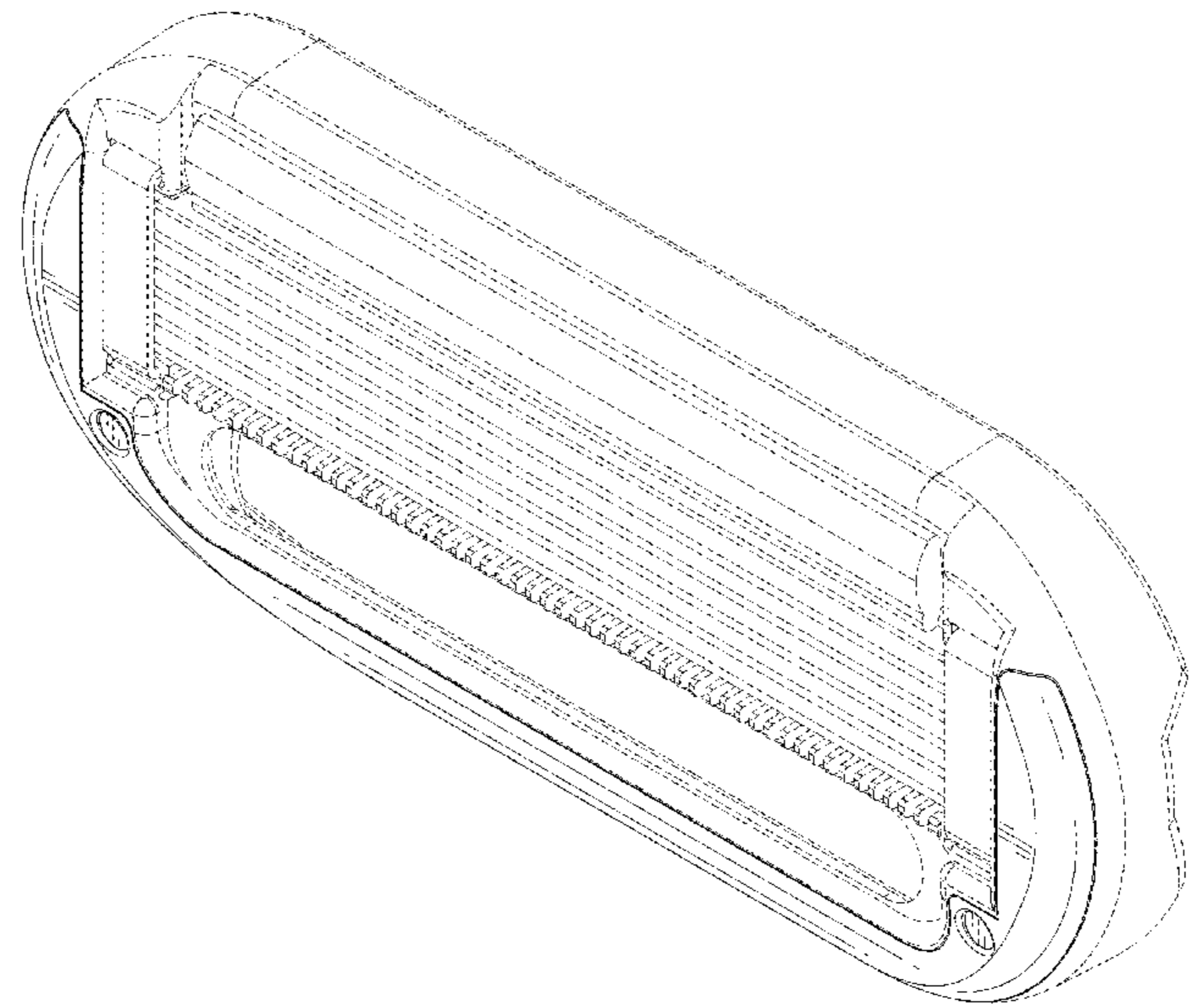
FIG. 1 is a front perspective view of a shaving razor cartridge, showing our new design;
FIG. 2 is a front view thereof;
FIG. 3 is a rear view thereof;
FIG. 4 is a right side view thereof;
FIG. 5 is a left side view thereof;
FIG. 6 is a top view thereof;
FIG. 7 is a bottom view thereof;
FIG. 8 is a front, bottom perspective view thereof; and,
FIG. 9 is a rear perspective view thereof.
The broken lines in the figures represent portions of the article which form no part of the claimed design.

1 Claim, 7 Drawing Sheets

(56) **References Cited**

U.S. PATENT DOCUMENTS

D403,811 S * 1/1999 Brown D28/47
D415,315 S 10/1999 Swanson et al.
6,161,287 A * 12/2000 Swanson B26B 21/225
30/50
6,349,471 B1 * 2/2002 Gruslin B26B 21/4012
30/50
D524,986 S * 7/2006 Prudden, Jr. D28/47
D563,043 S 2/2008 Ramm
D563,044 S * 2/2008 Ramm D28/47
7,370,419 B2 * 5/2008 Coffin B26B 21/227
30/41
D631,198 S 1/2011 Adams et al.



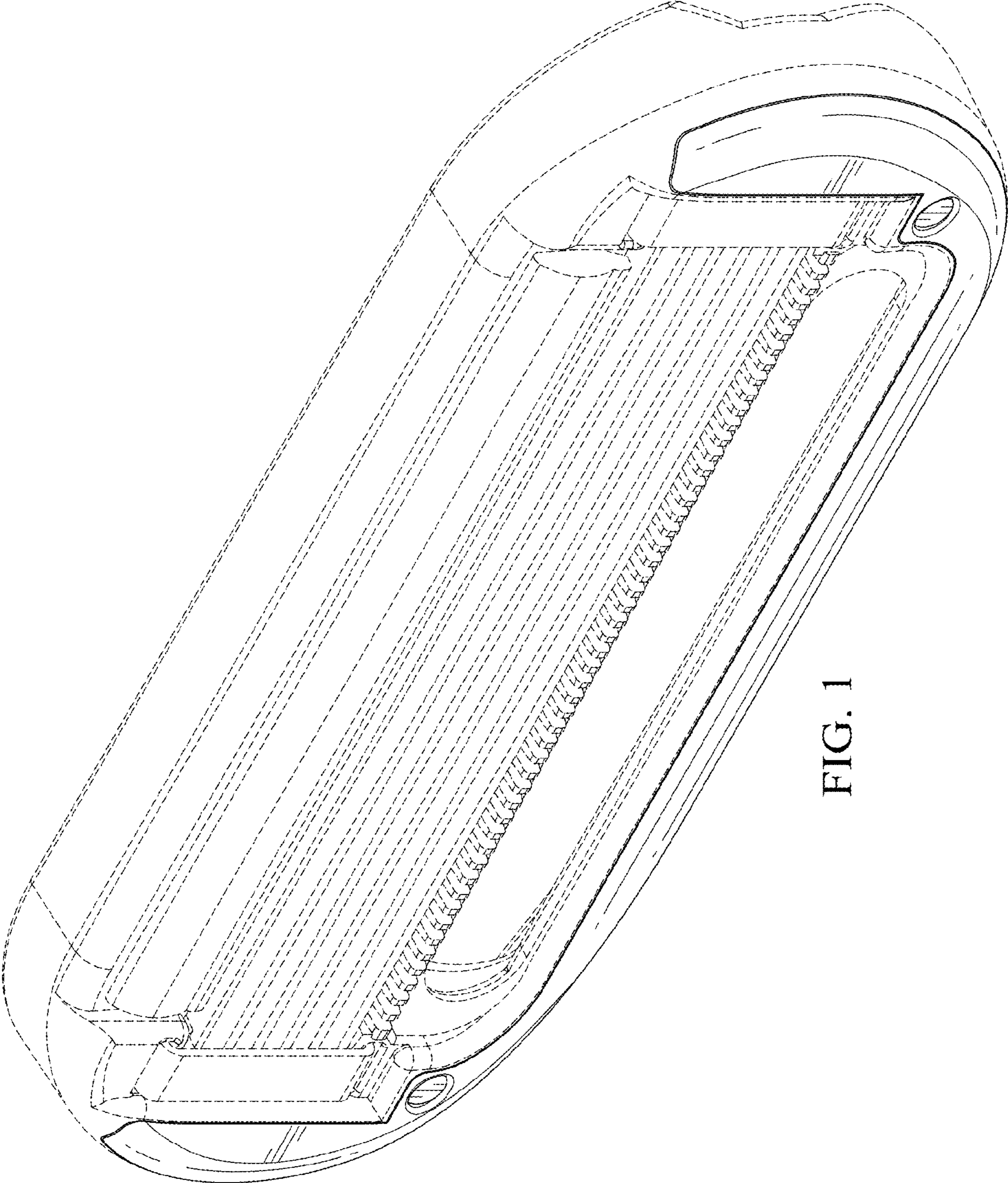


FIG. 1

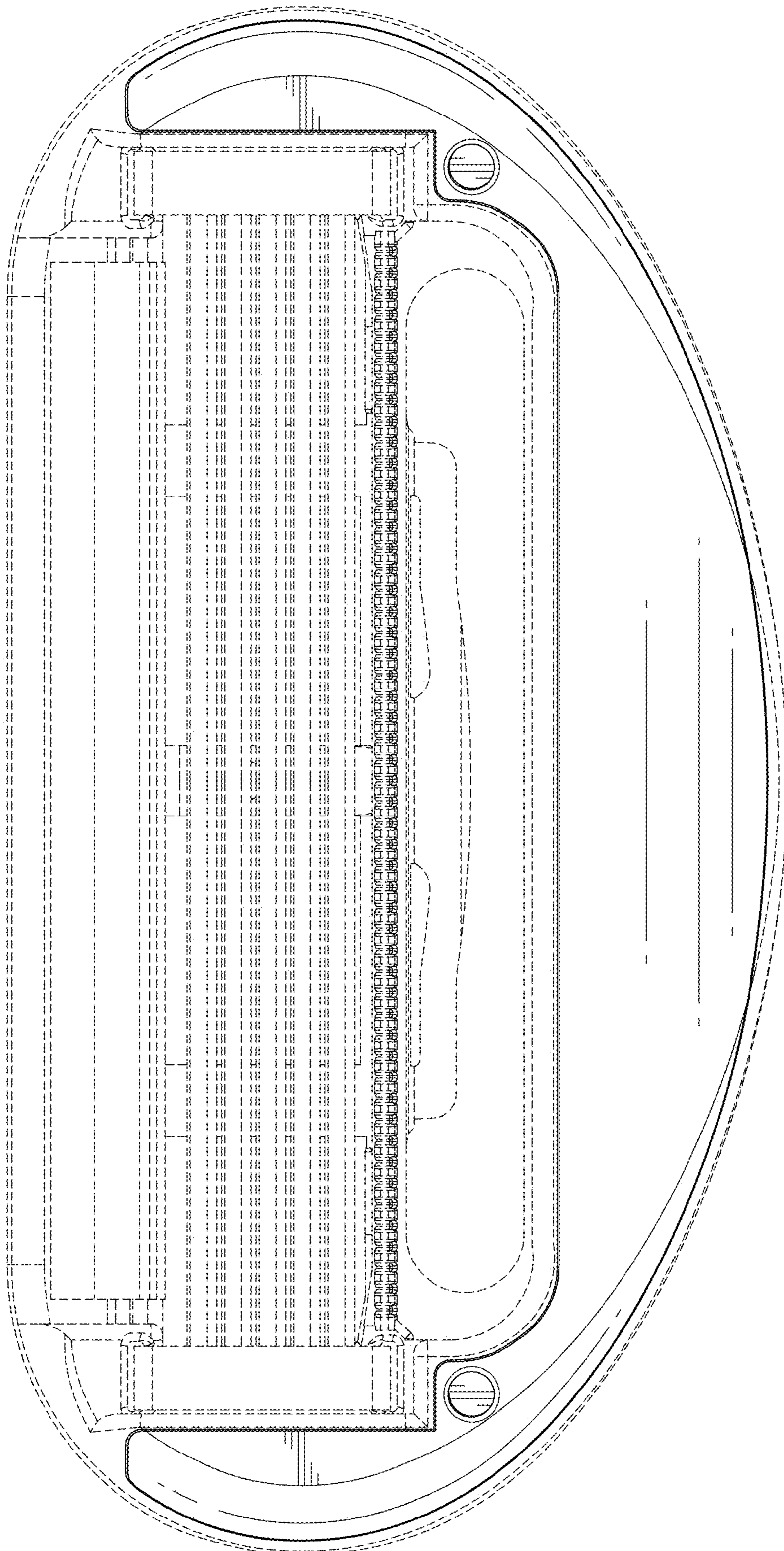


FIG. 2

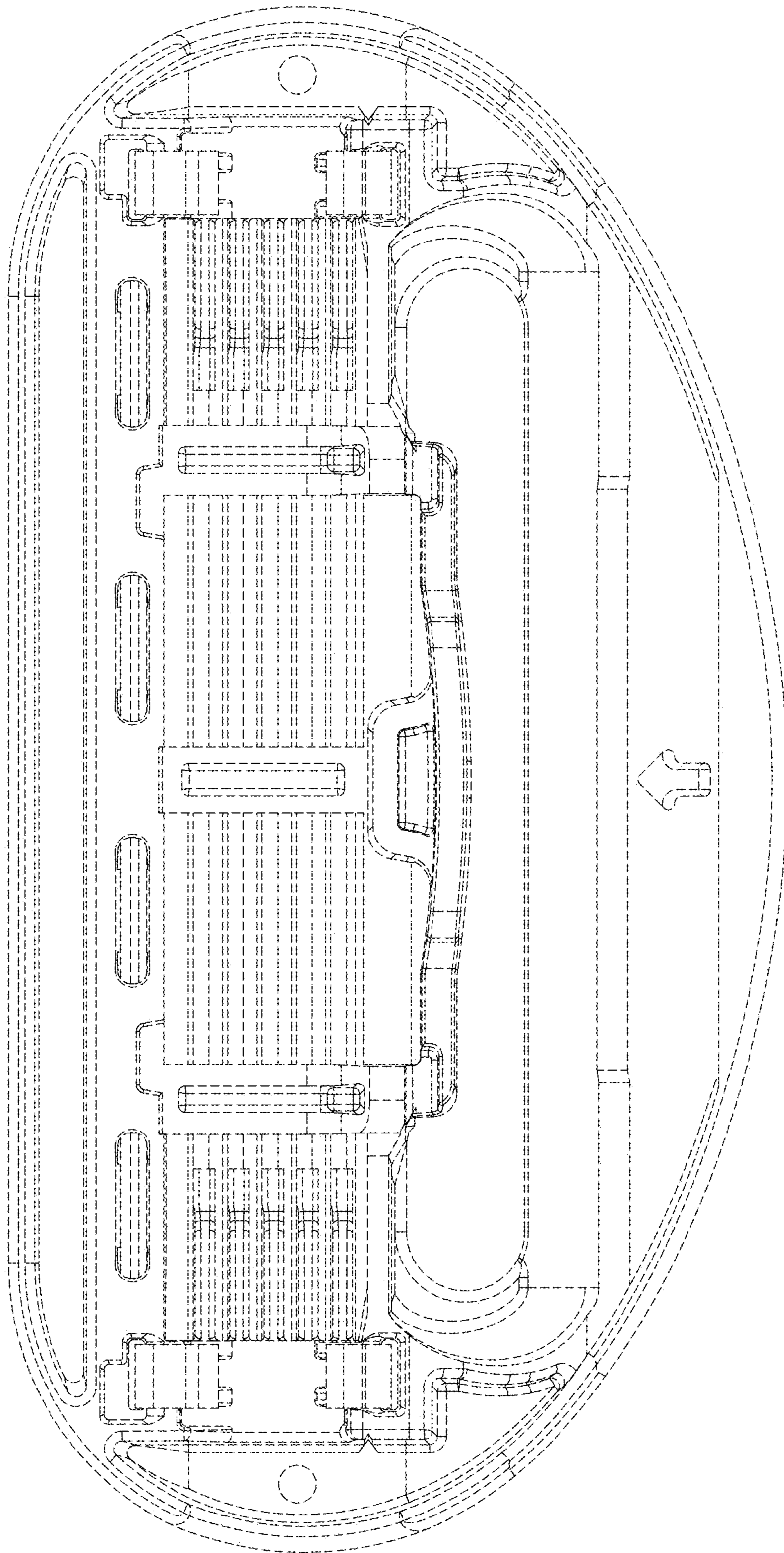


FIG. 3

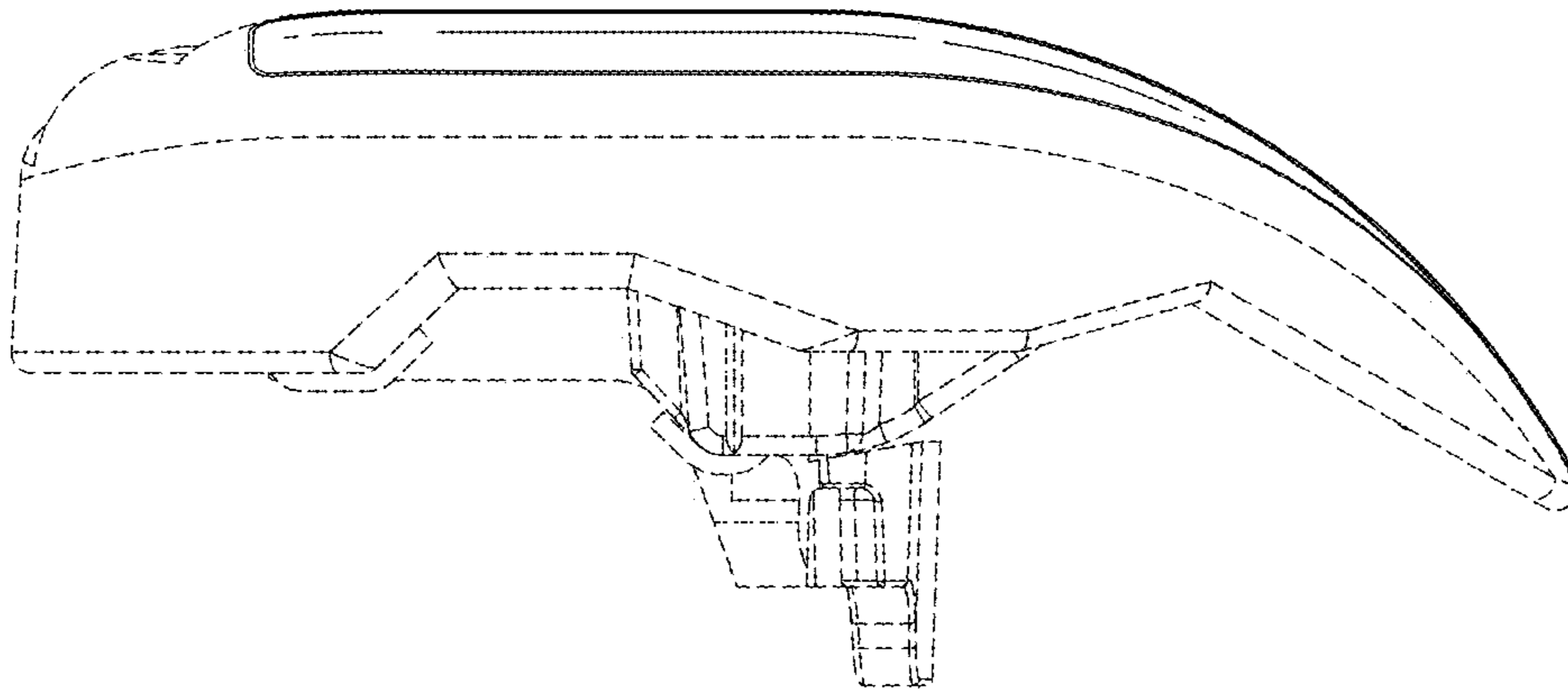


FIG. 5

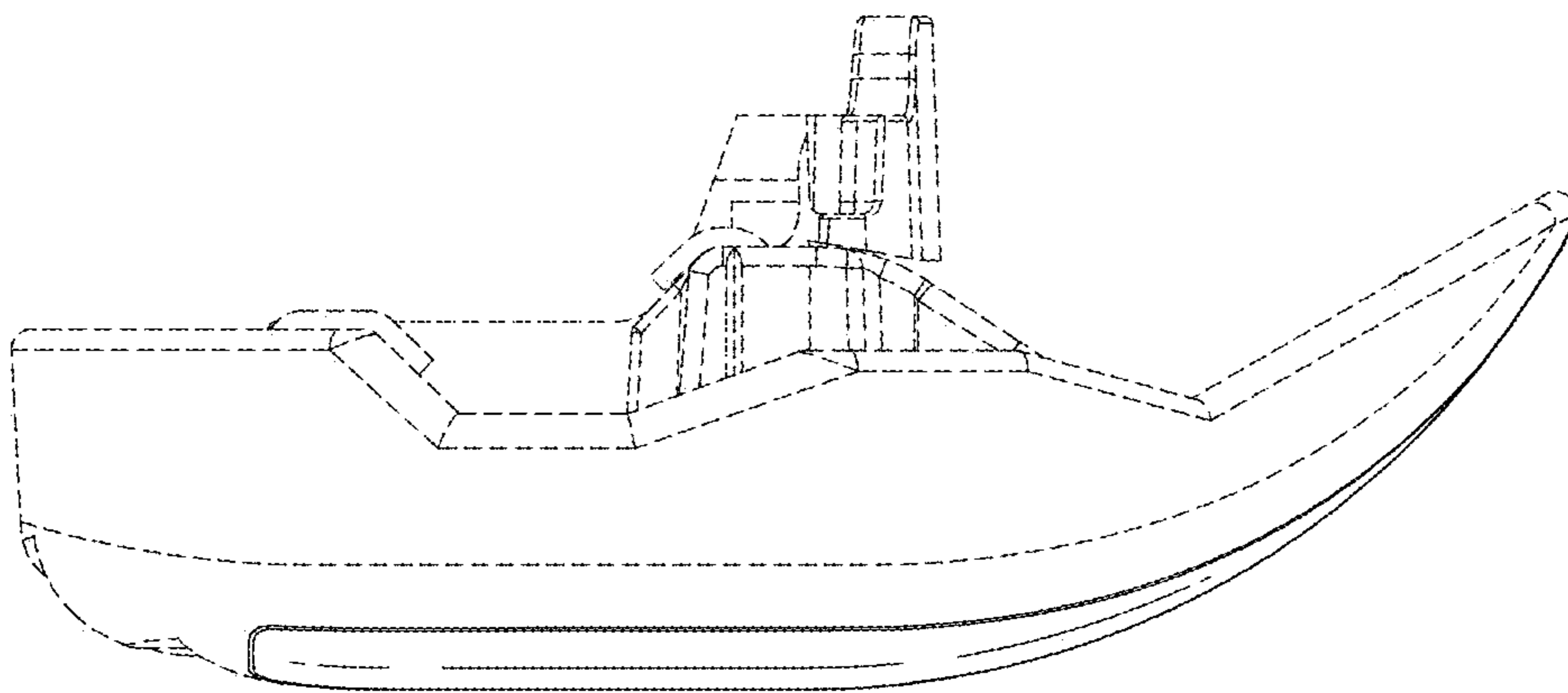


FIG. 4

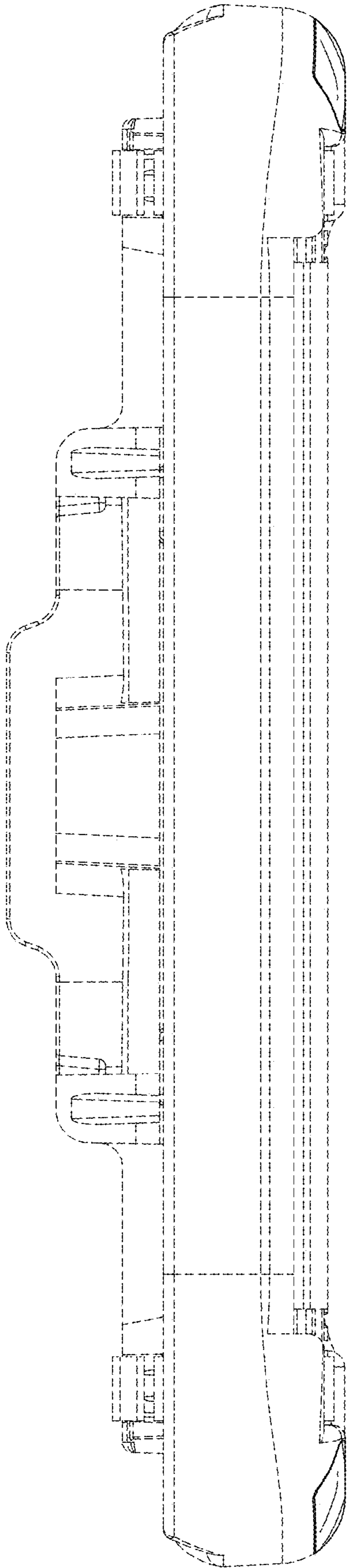


FIG. 6

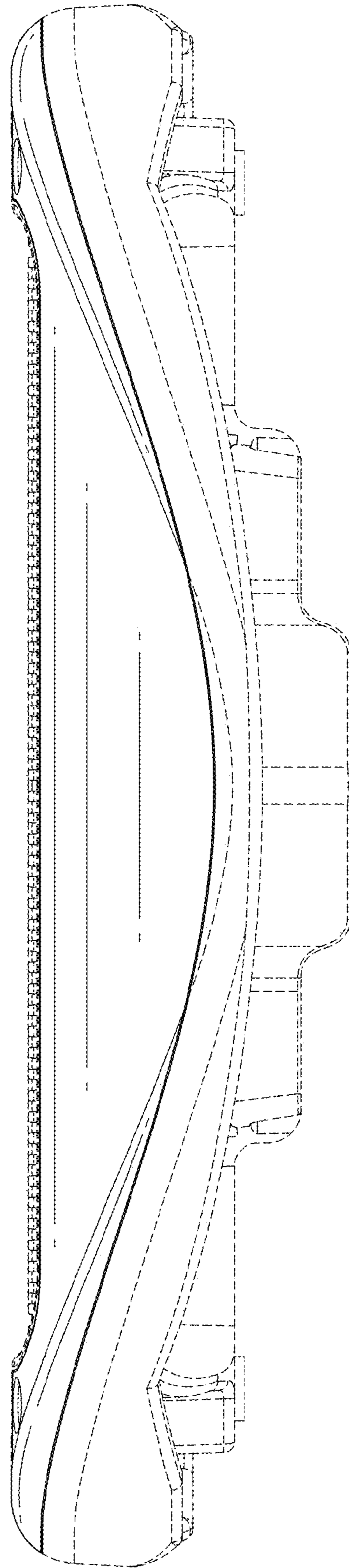


FIG. 7

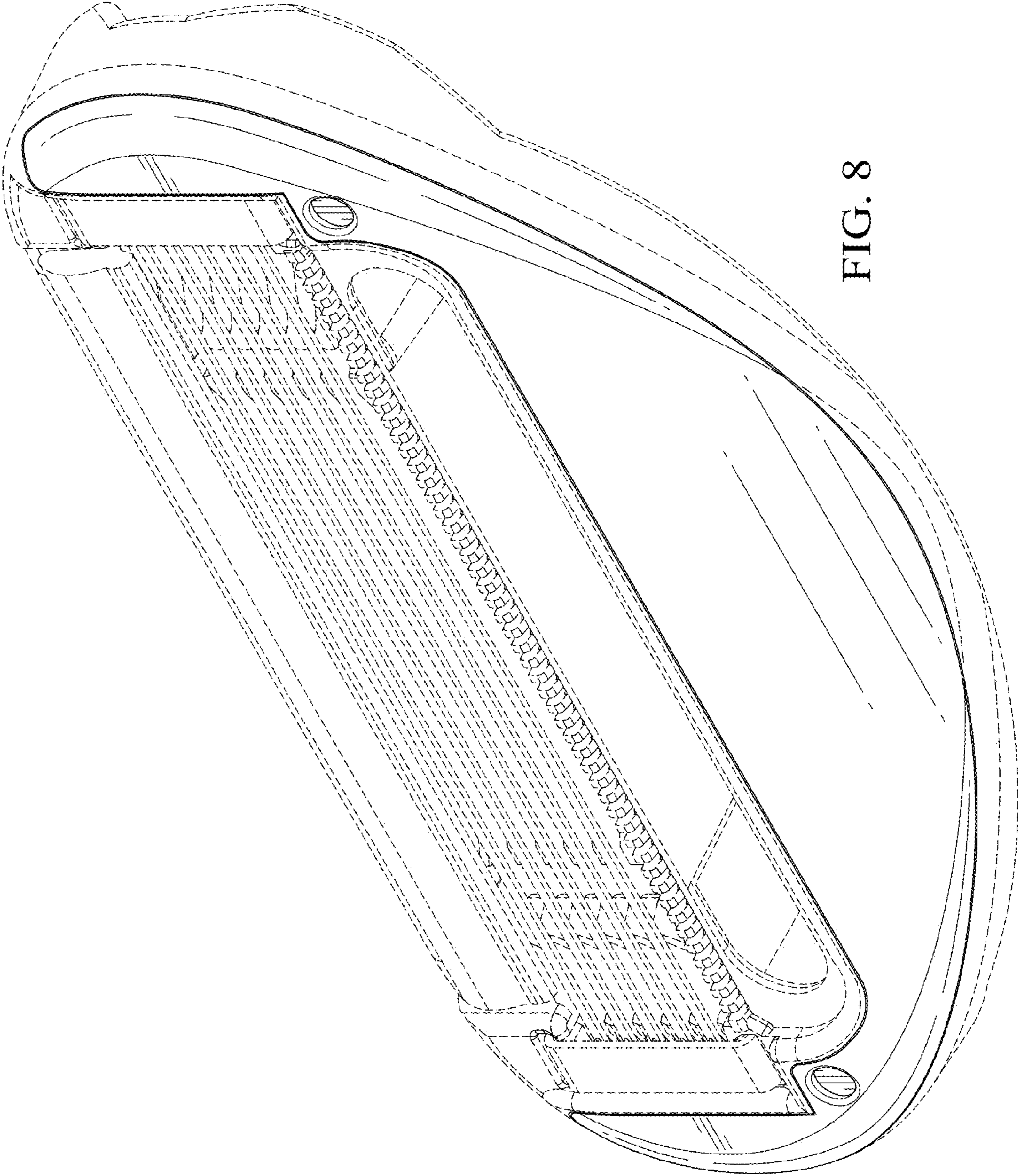


FIG. 8

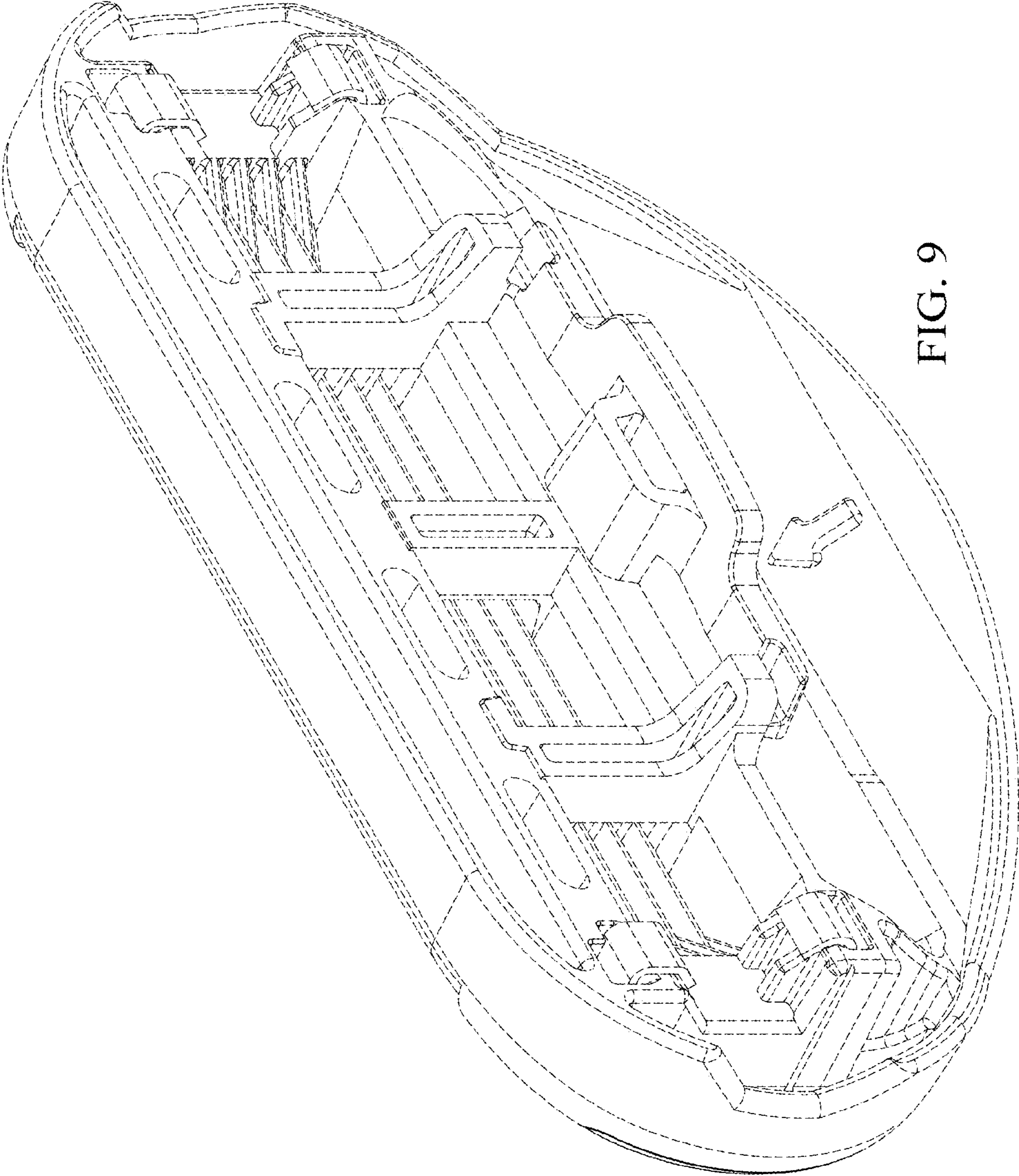


FIG. 9