



US00D913590S

(12) **United States Design Patent**
Julemont

(10) **Patent No.:** **US D913,590 S**

(45) **Date of Patent:** **** Mar. 16, 2021**

(54) **HAIRSTYLING APPARATUS**
(71) Applicant: **BABYLISS FACO SPRL**, Wandre (BE)
(72) Inventor: **Pierre Julemont**, Soumagne (BE)
(73) Assignee: **BABYLISS FACO SPRL**, Wandre (BE)

D570,042 S * 5/2008 Leung D28/35
D682,468 S * 5/2013 Kim D28/35
D696,456 S * 12/2013 Julemont D28/35
D717,000 S * 11/2014 Julemont D28/35
D727,568 S * 4/2015 Francois D28/10
D754,396 S * 4/2016 Keong D28/35
D759,306 S * 6/2016 Delassus D28/35
D783,897 S * 4/2017 Kong D28/35
D785,866 S * 5/2017 French-Jackson D28/35
D803,479 S * 11/2017 Collier D28/13

(**) Term: **15 Years**

FOREIGN PATENT DOCUMENTS

(21) Appl. No.: **35/506,578**

CN 201330421939 * 9/2013
DE 102014221924 B3 * 1/2016 A45D 6/02
EP 3100633 A1 * 12/2016 A45D 2/02

(22) Filed: **Nov. 20, 2018**

* cited by examiner

(80) **Hague Agreement Data**

Int. Filing Date: **Nov. 20, 2018**
Int. Reg. No.: **DM/200516**
Int. Reg. Date: **Nov. 20, 2018**
Int. Reg. Pub. Date: **Apr. 12, 2019**

Primary Examiner — George D. Kirschbaum
Assistant Examiner — Samantha N Wood

(30) **Foreign Application Priority Data**

May 23, 2018 (EM) 005279064-0001

(51) **LOC (13) Cl.** **28-03**

(52) **U.S. Cl.**

USPC **D28/35**

(58) **Field of Classification Search**

USPC D28/10, 11, 35, 23, 25, 36, 37, 38, 54.1,
D28/99

CPC . A45D 2/12; A45D 2/122; A45D 2/14; A45D
2/36; A45D 2/362; A45D 2/365; A45D
2/367; A45D 2/001; A45D 2/002; A45D
2/06

See application file for complete search history.

(56) **References Cited**

U.S. PATENT DOCUMENTS

D507,849 S * 7/2005 Lee D28/10
D535,746 S * 1/2007 Grove D24/144

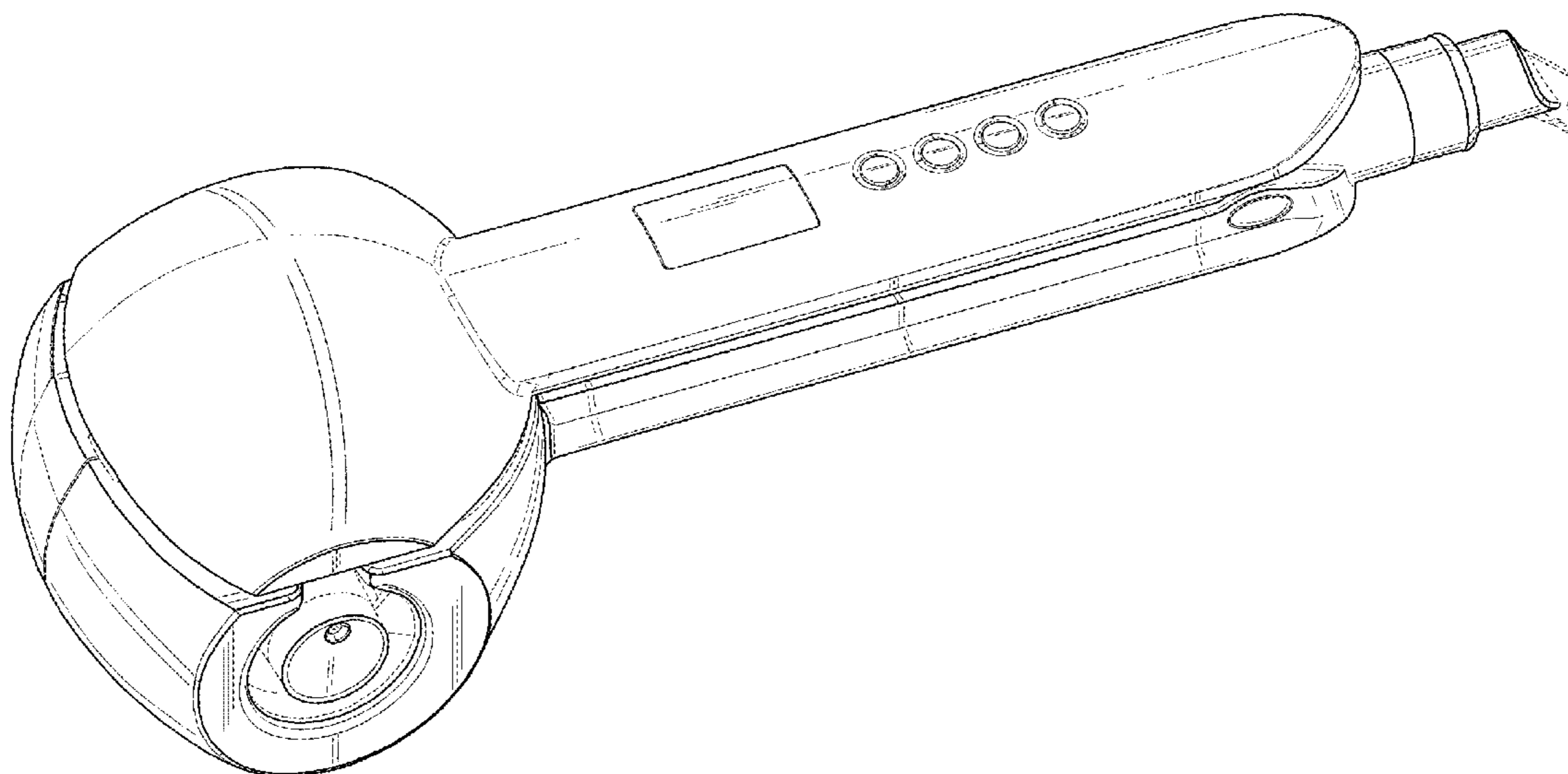
(57) **CLAIM**

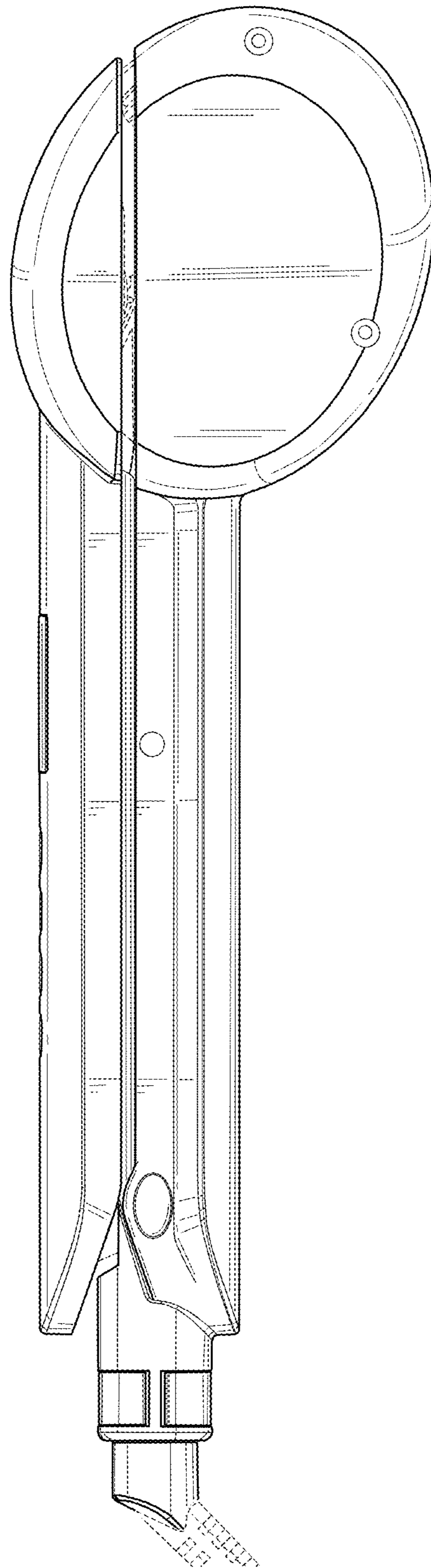
The ornamental design for a hair styling apparatus, as shown and described.

DESCRIPTION

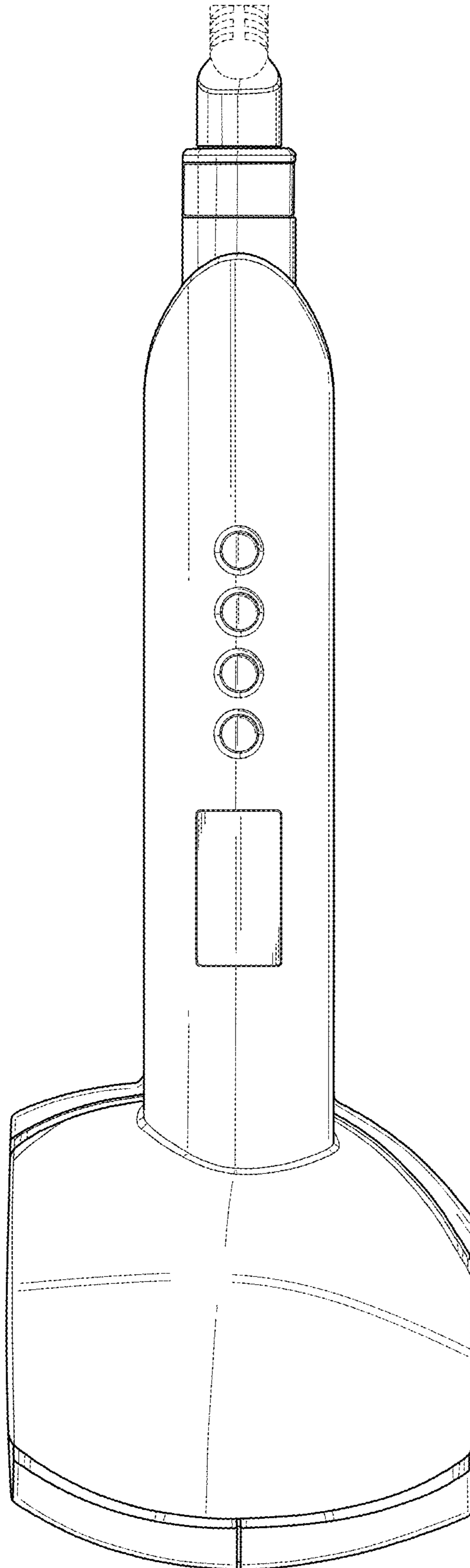
FIG. 1.1 is a left side view of a hair styling apparatus showing our new design;
FIG. 1.2 is a top plan view thereof;
FIG. 1.3 is a bottom view thereof;
FIG. 1.4 is a front elevational view thereof;
FIG. 1.5 is a rear elevational view thereof;
FIG. 1.6 is a right side elevational view thereof; and
FIG. 1.7 is a top, right side perspective view thereof.
In the drawings, the portions of the article shown in broken lines do not form any part of the claimed design.

1 Claim, 7 Drawing Sheets

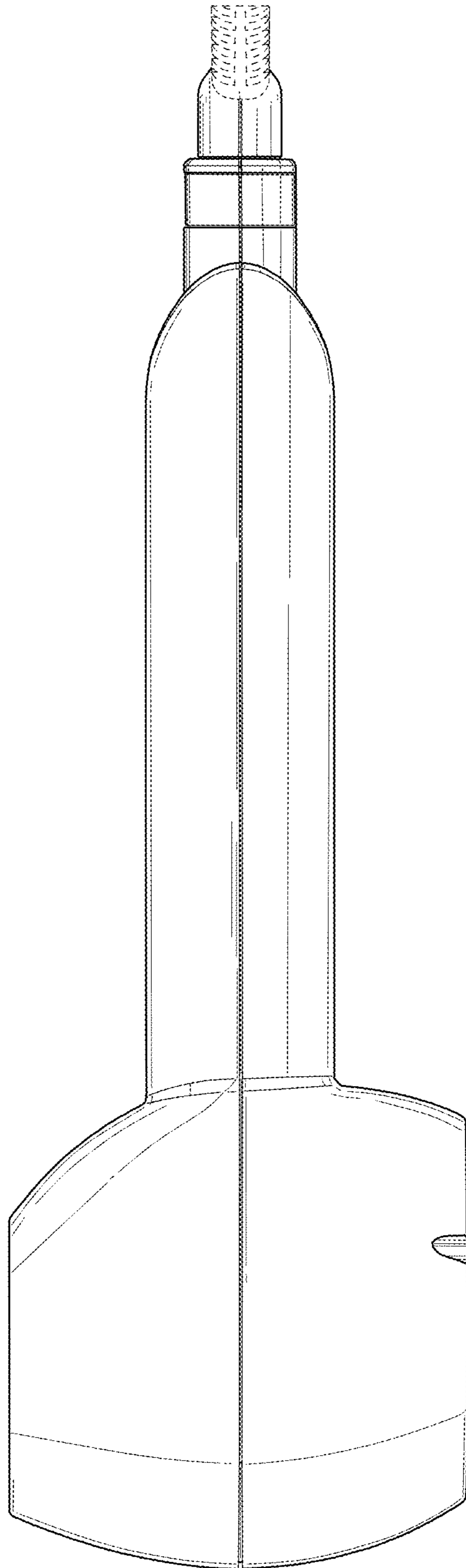




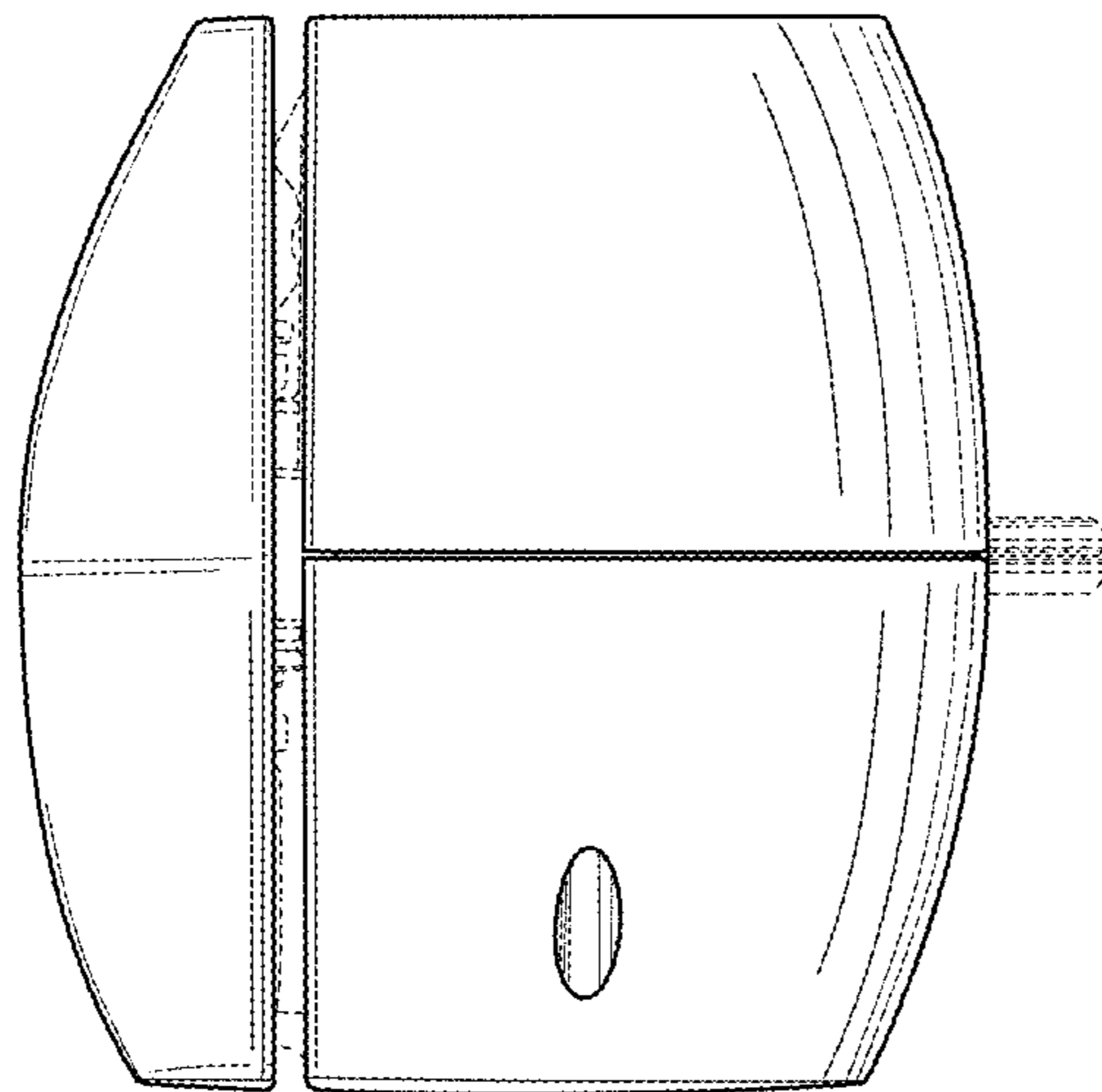
1.1



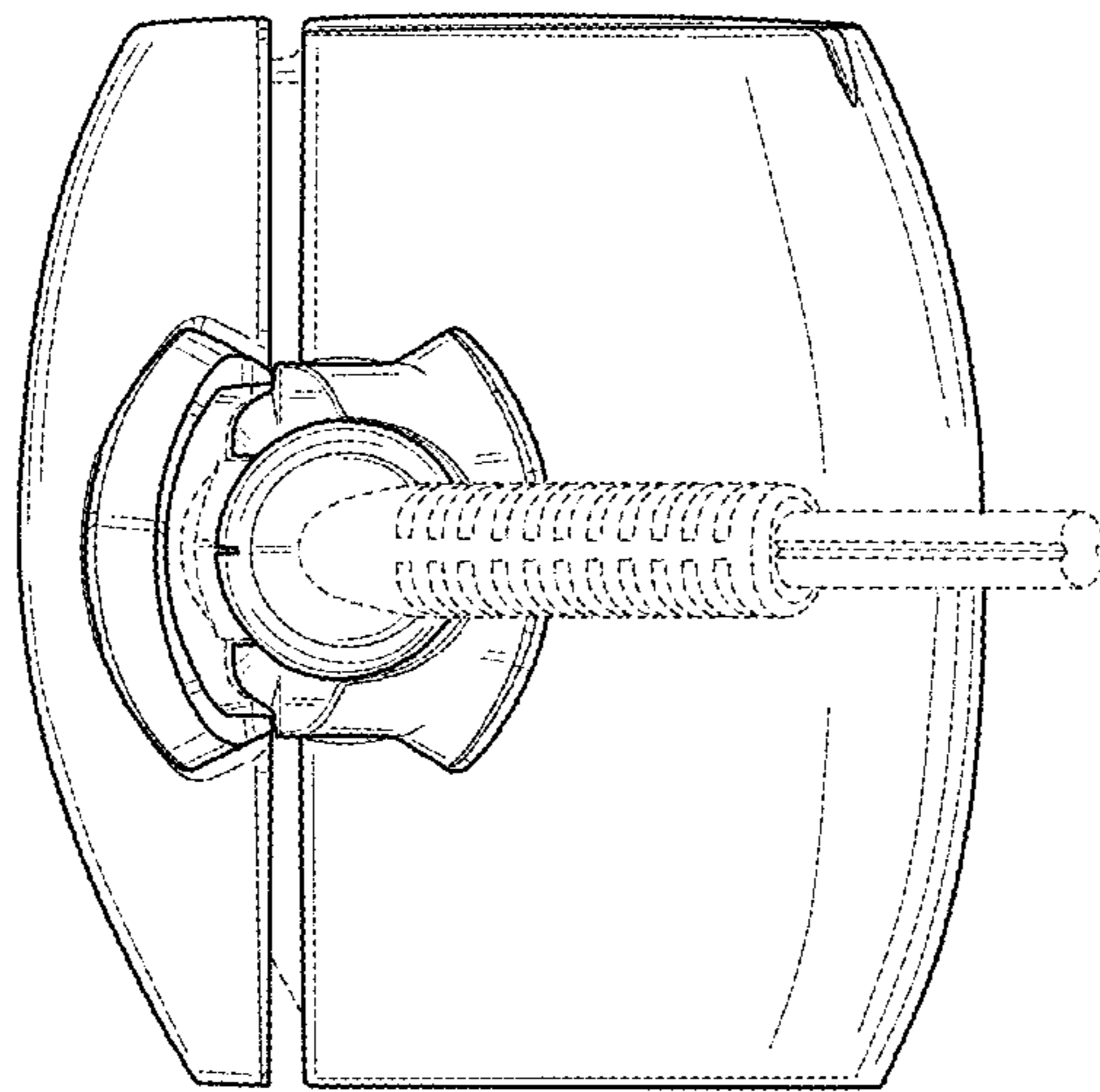
1.2



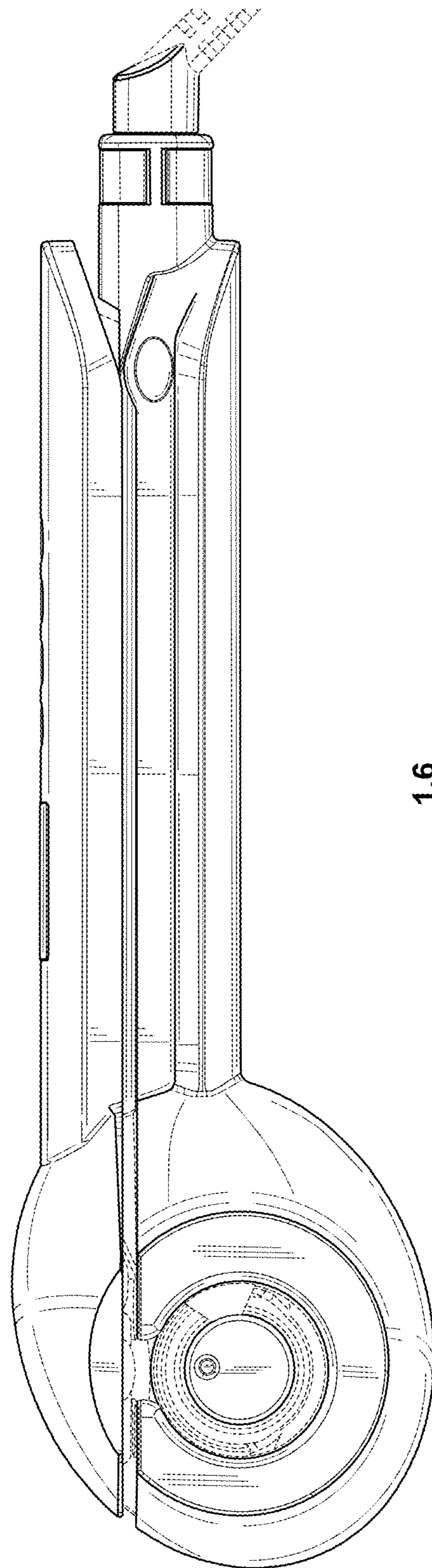
1.3



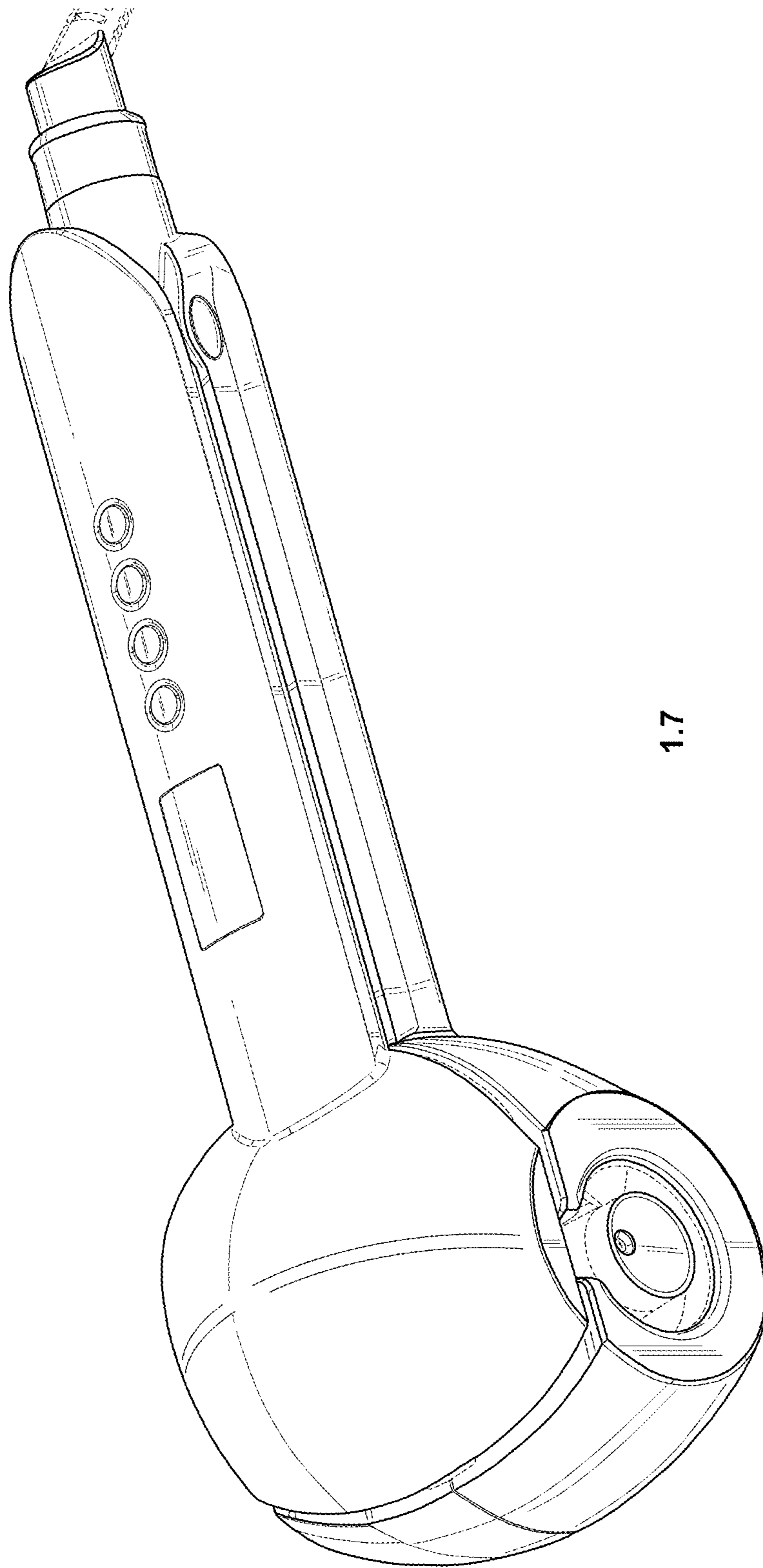
1.4



1.5



1.6



1.7