



US00D913588S

(12) **United States Design Patent**
Thomason et al.

(10) **Patent No.:** **US D913,588 S**
(45) **Date of Patent:** **** Mar. 16, 2021**

(54) **BASE UNIT FOR VACUUM ASSISTED
DEVICE FOR GROOMING HAIR**

DESCRIPTION

- (71) Applicant: **RevAir, LLC**, Macedonia, OH (US)
- (72) Inventors: **Scott Thomason**, Macedonia, OH (US);
Lou Monaco, South Euclid, OH (US);
Todd M. Bradford, Orrville, OH (US)
- (**) Term: **15 Years**
- (21) Appl. No.: **29/664,217**
- (22) Filed: **Sep. 24, 2018**
- (51) **LOC (13) Cl.** **28-03**
- (52) **U.S. Cl.**
USPC **D28/18**
- (58) **Field of Classification Search**
USPC D28/12-19
CPC A45D 20/00; A45D 20/48; A45D 20/50;
A45D 20/52; A45D 20/525
See application file for complete search history.

(56) **References Cited**

U.S. PATENT DOCUMENTS

D292,325 S *	10/1987	Maass	D28/12
D292,326 S *	10/1987	Maass	D28/12
D294,740 S *	3/1988	Yonezawa	D28/12
4,858,336 A *	8/1989	Varma	A45D 20/16 34/90
D305,464 S *	1/1990	Rickard	D28/12
D326,511 S *	5/1992	Chiang	D23/328

* cited by examiner

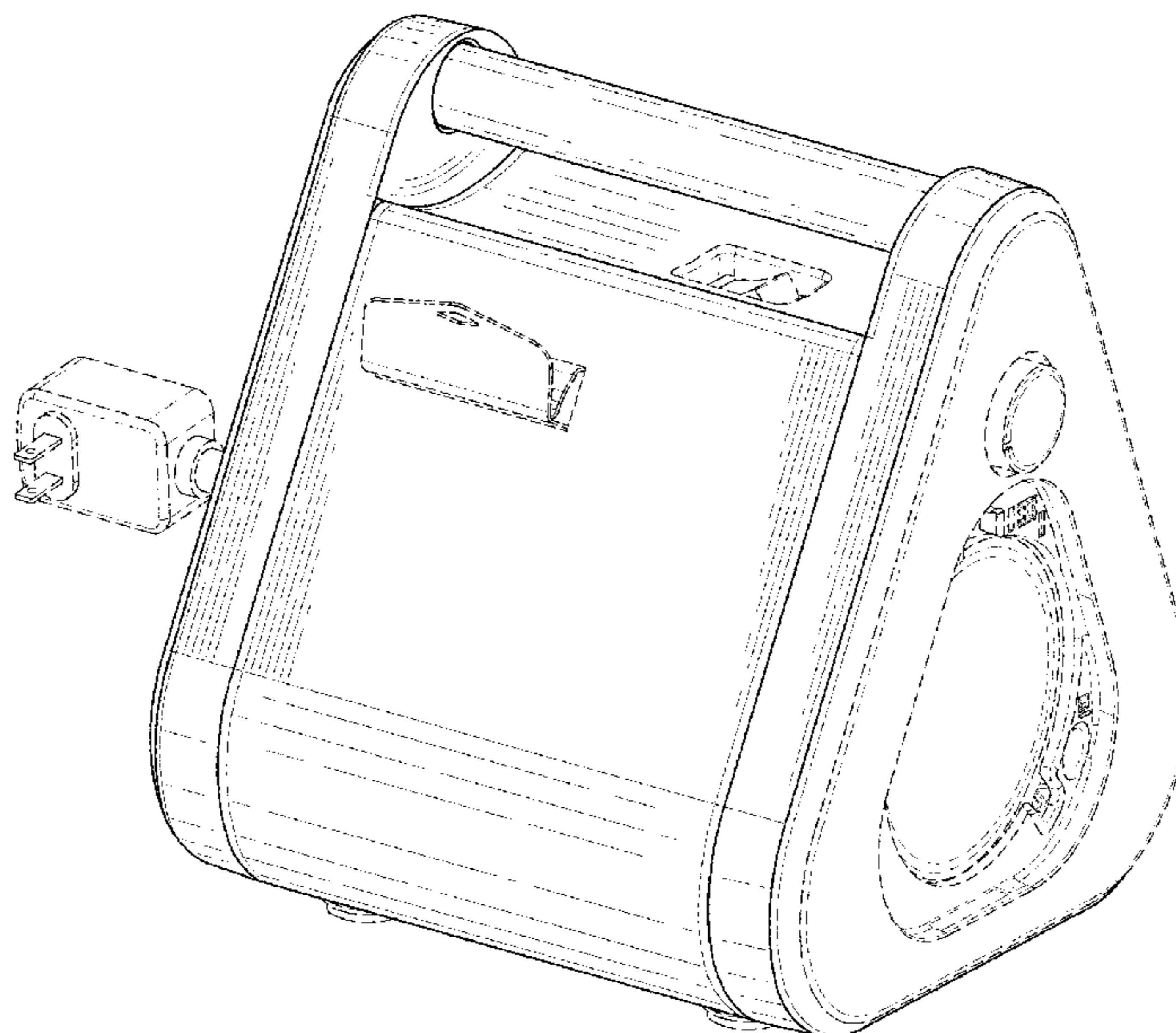
Primary Examiner — Zenia I Bennett
(74) *Attorney, Agent, or Firm* — Benesch, Friedlander,
Coplan & Aronoff LLP

(57) **CLAIM**

What is claimed is the ornamental design for a base unit for vacuum assisted device for grooming hair, as shown and described.

FIG. 1 is a front-left perspective view of another base unit for a vacuum assisted device for grooming hair;
 FIG. 2 is a rear-right perspective view of the base unit for a vacuum assisted device for grooming hair of FIG. 1;
 FIG. 3 is a front view of the base unit for a vacuum assisted device for grooming hair of FIG. 1;
 FIG. 4 is a rear view of the base unit for a vacuum assisted device for grooming hair of FIG. 1;
 FIG. 5 is a left side view of the base unit for a vacuum assisted device for grooming hair of FIG. 1;
 FIG. 6 is a right side view of the base unit for a vacuum assisted device for grooming hair of FIG. 1;
 FIG. 7 is a top view of the base unit for a vacuum assisted device for grooming hair of FIG. 1;
 FIG. 8 is a bottom view of the base unit for a vacuum assisted device for grooming hair of FIG. 1;
 FIG. 9 is a front-left perspective view of yet another base unit for a vacuum assisted device for grooming hair;
 FIG. 10 is a rear-right perspective view of the base unit for a vacuum assisted device for grooming hair of FIG. 9;
 FIG. 11 is a front view of the base unit for a vacuum assisted device for grooming hair of FIG. 9;
 FIG. 12 is a rear view of the base unit for a vacuum assisted device for grooming hair of FIG. 9;
 FIG. 13 is a left side view of the base unit for a vacuum assisted device for grooming hair of FIG. 9;
 FIG. 14 is a right side view of the base unit for a vacuum assisted device for grooming hair of FIG. 9;
 FIG. 15 is a top view of the base unit for a vacuum assisted device for grooming hair of FIG. 9; and,
 FIG. 16 is a bottom view of the base unit for a vacuum assisted device for grooming hair of FIG. 9.
 Any features shown in broken lines illustrate a portion of the base unit that form no part of the claimed design. Further, no lines, shading or other effects are meant to be indicative of any specified colors.

1 Claim, 16 Drawing Sheets



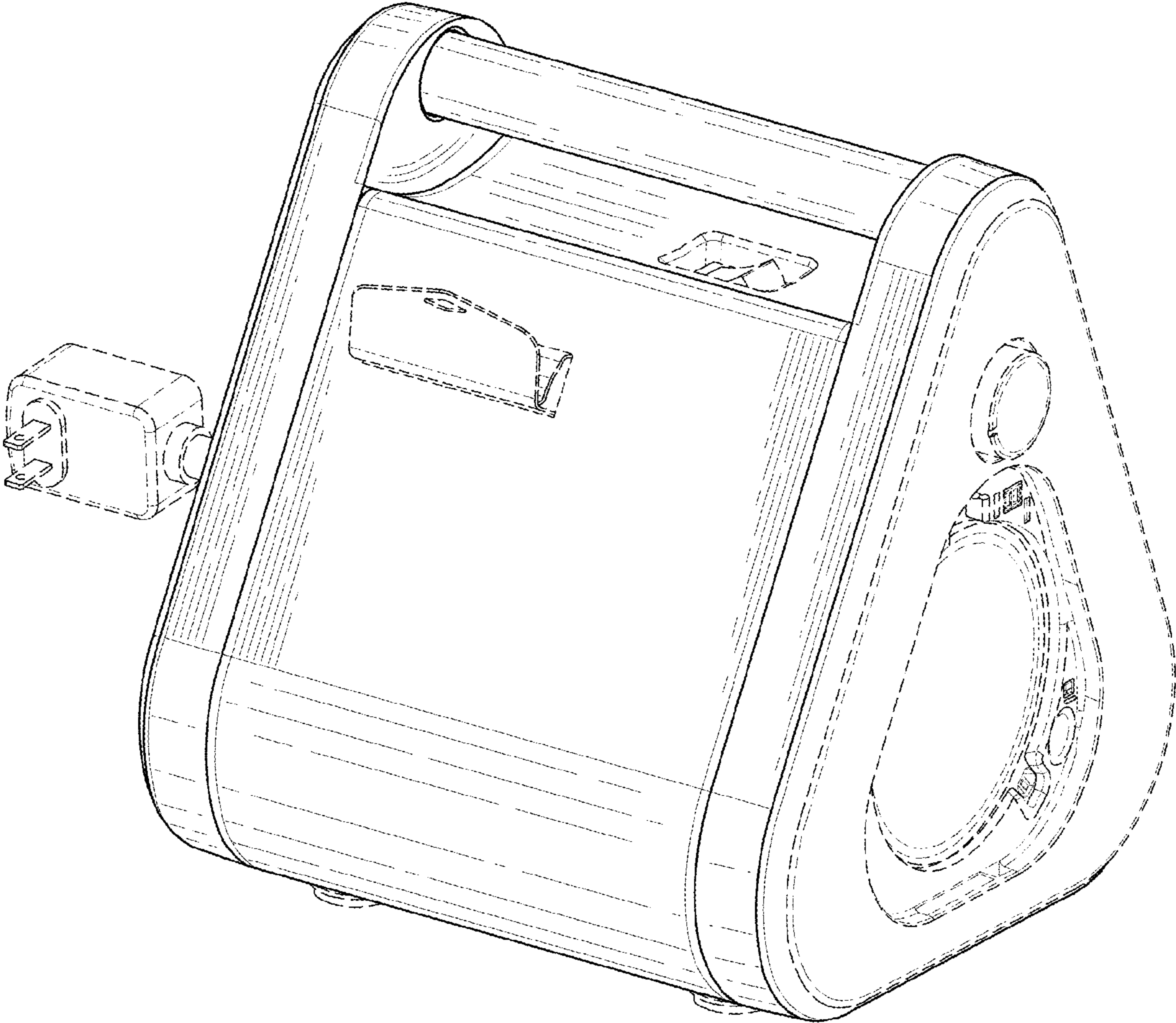


FIG. 1

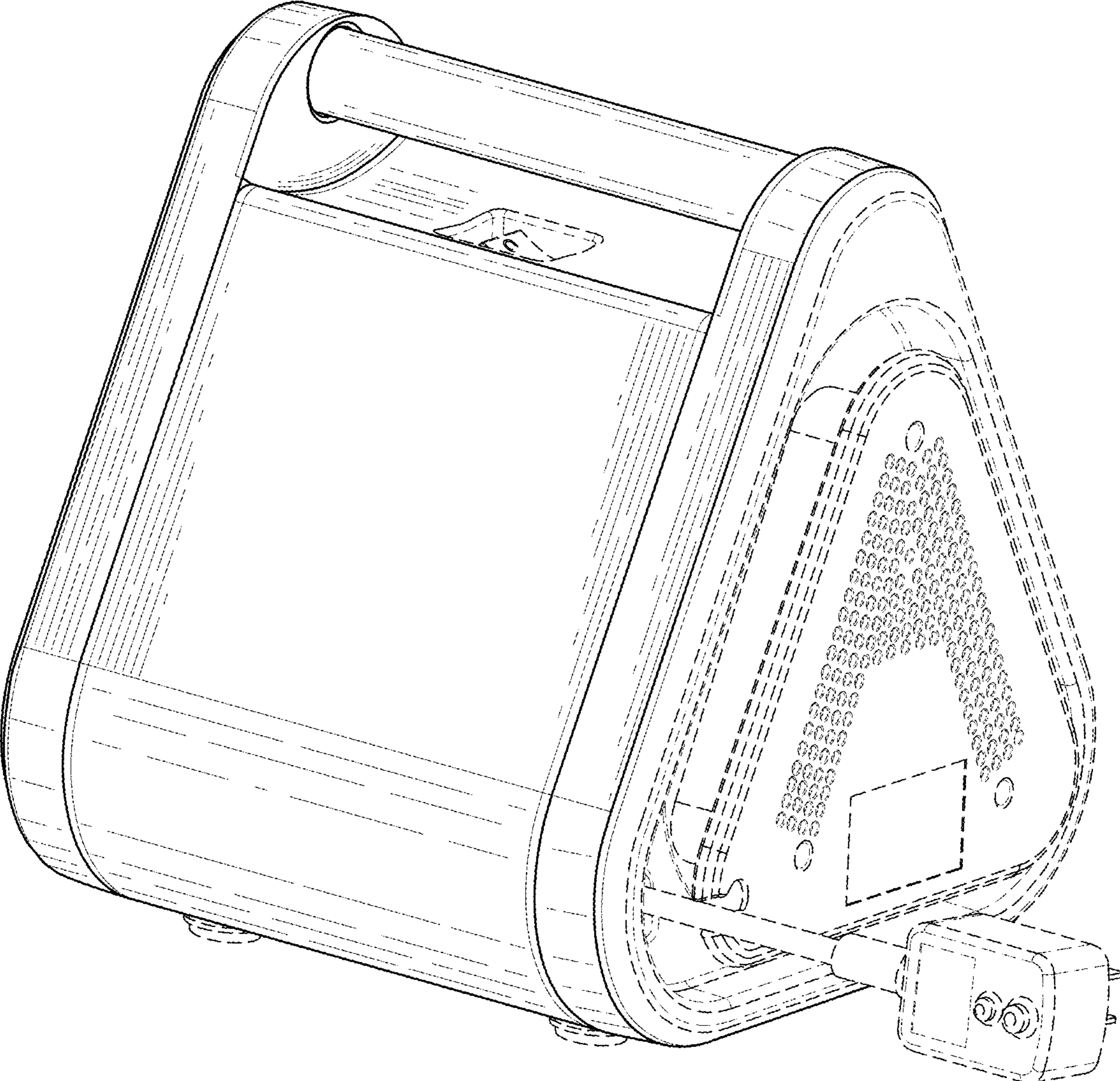


FIG. 2

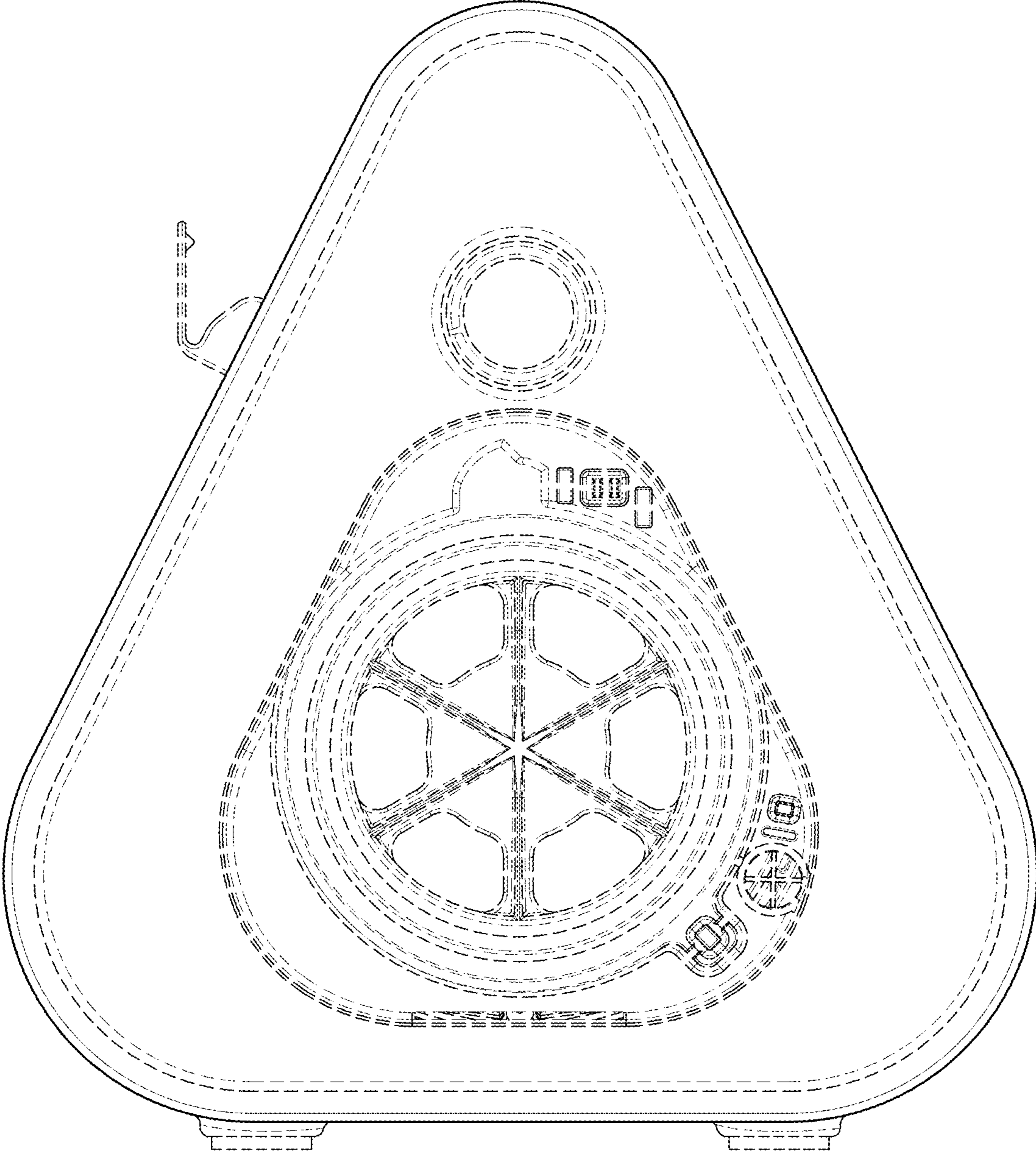


FIG. 3

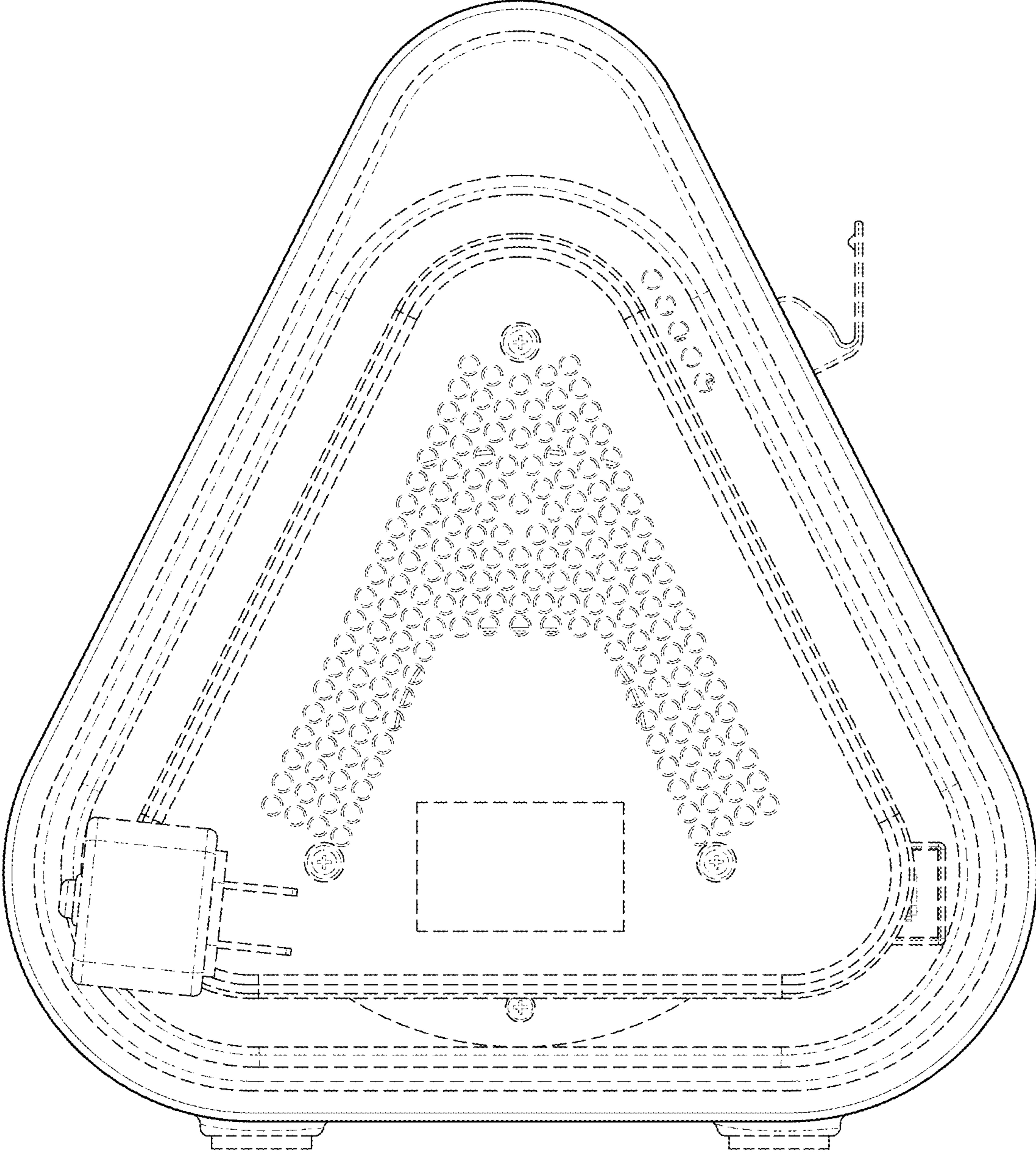


FIG. 4

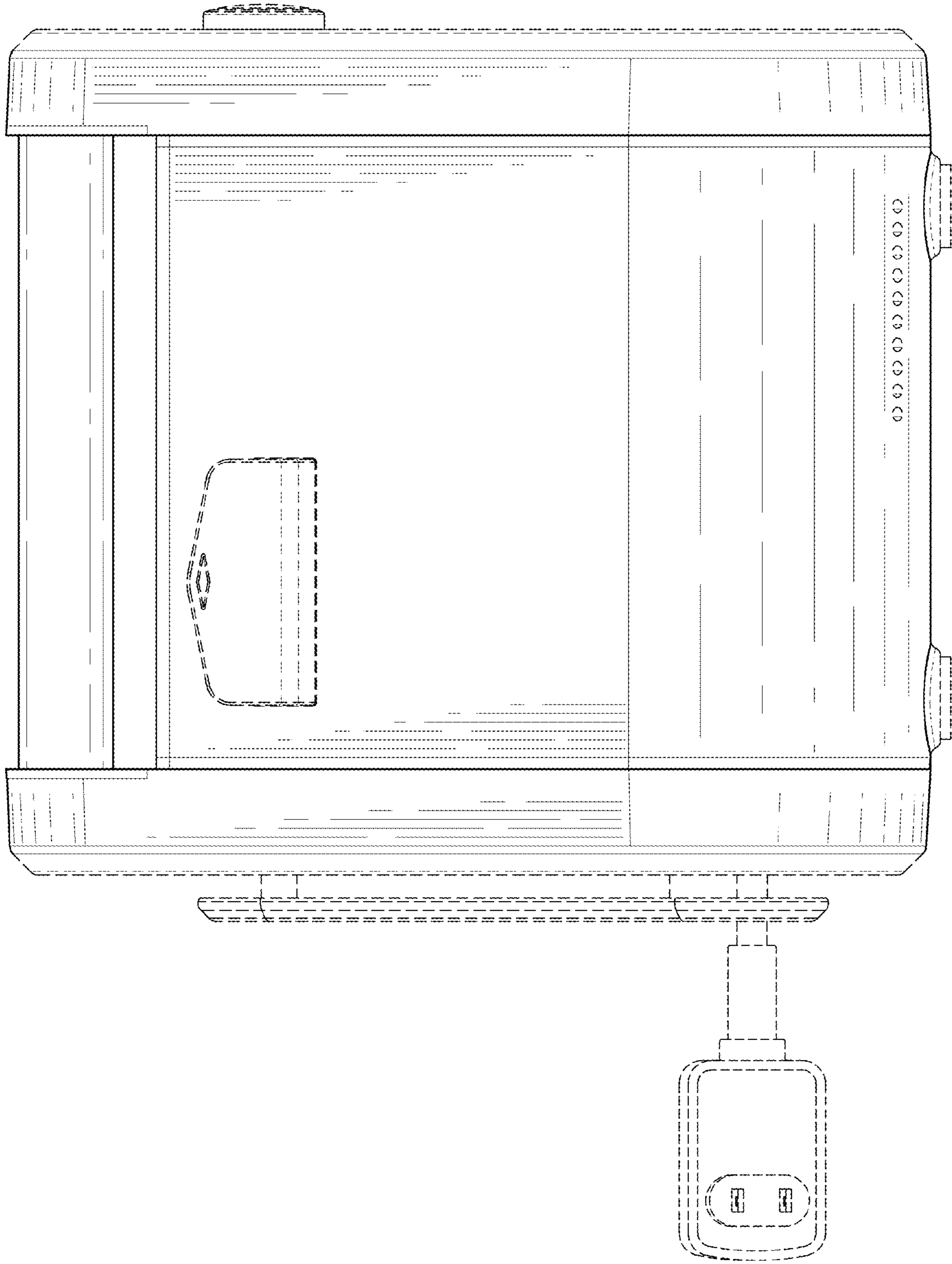


FIG. 5

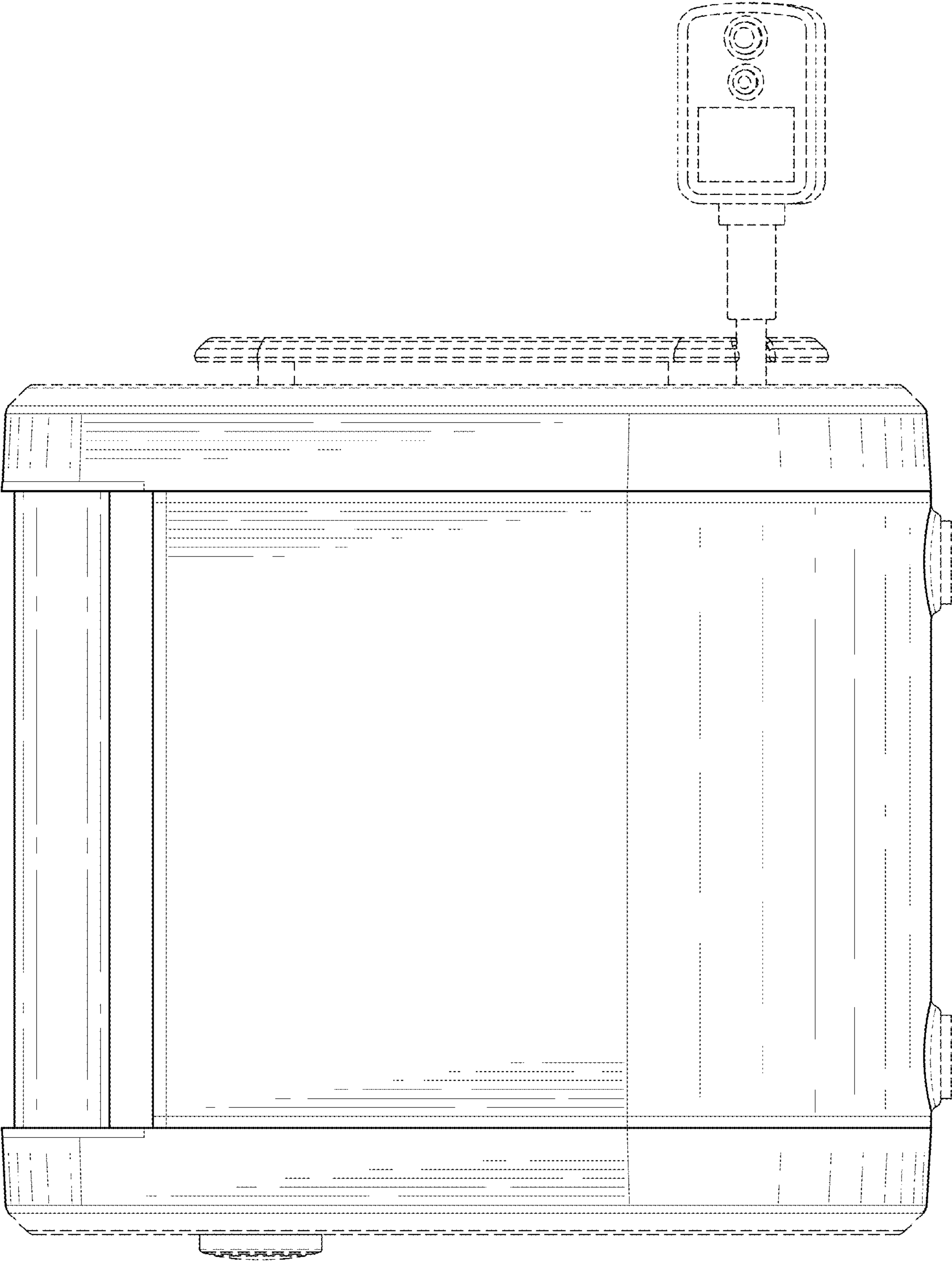


FIG. 6

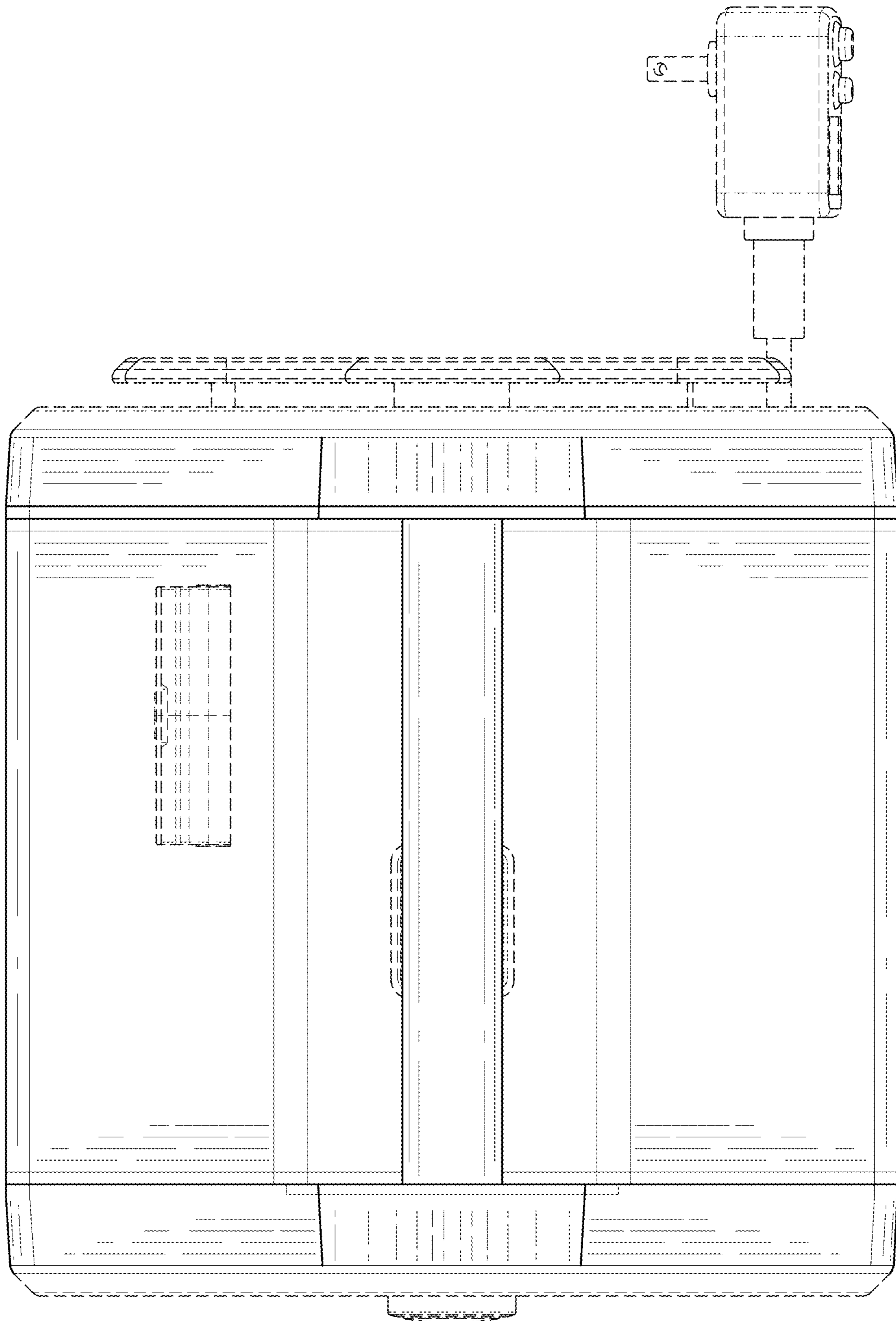


FIG. 7

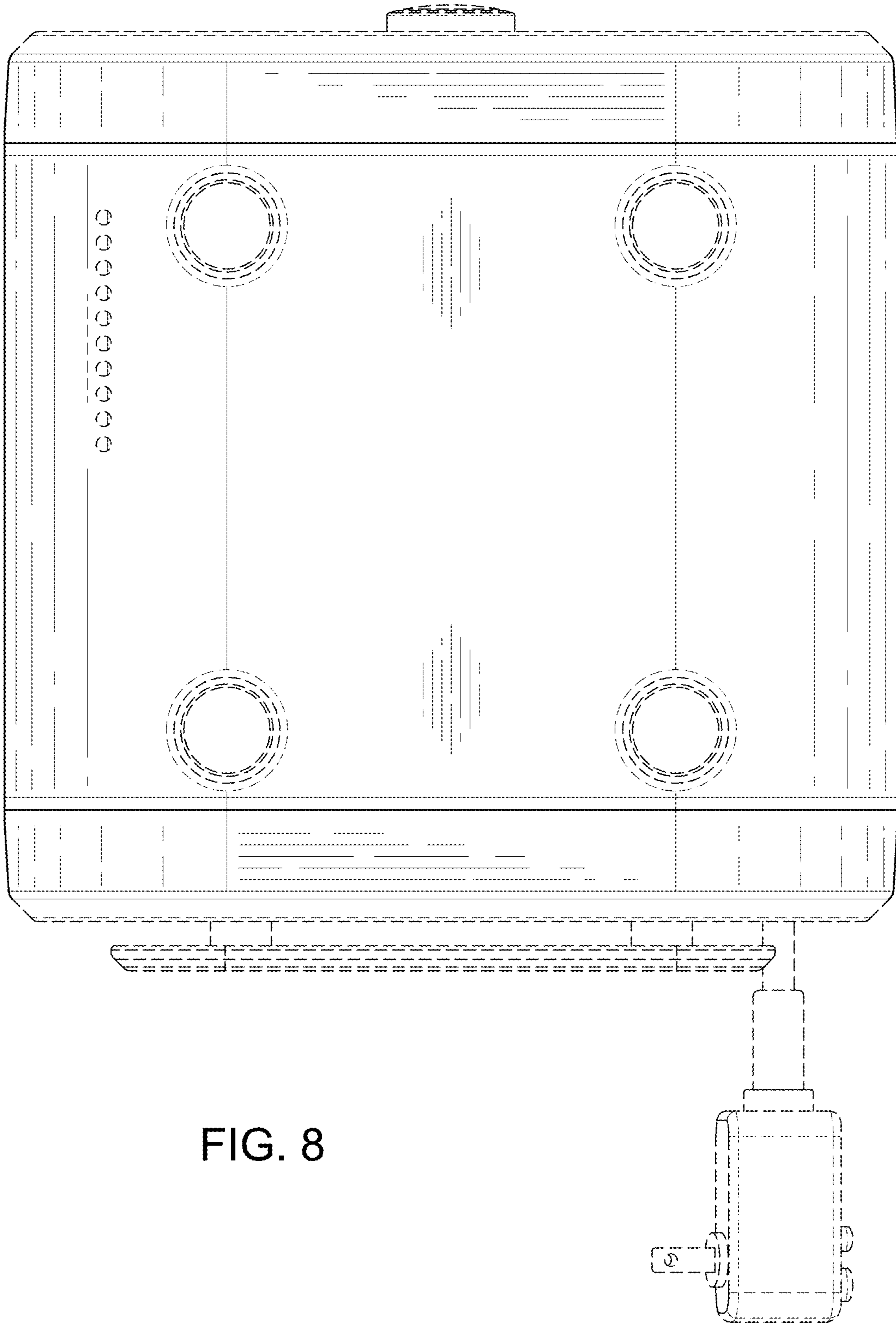


FIG. 8

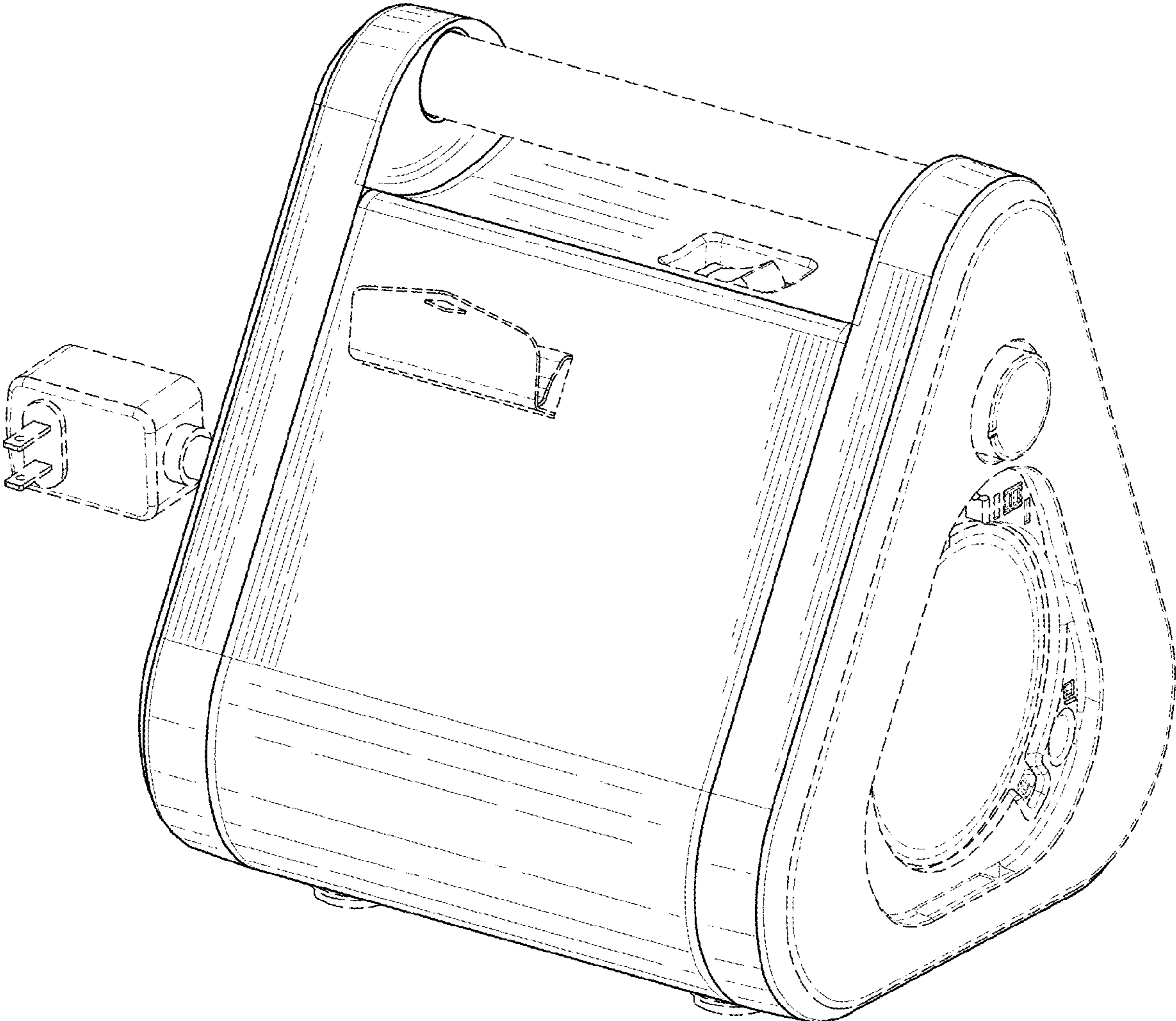


FIG. 9

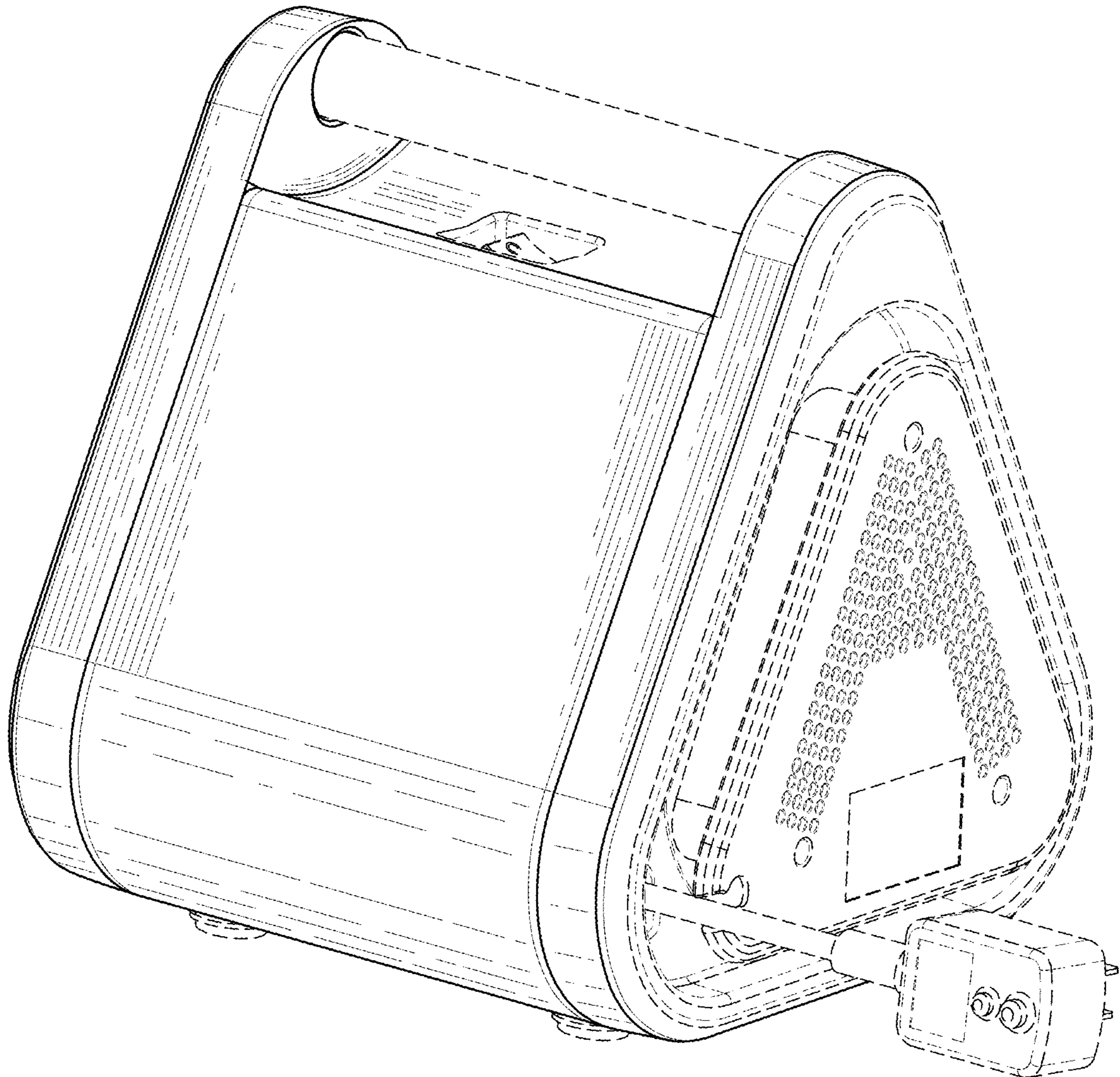


FIG. 10

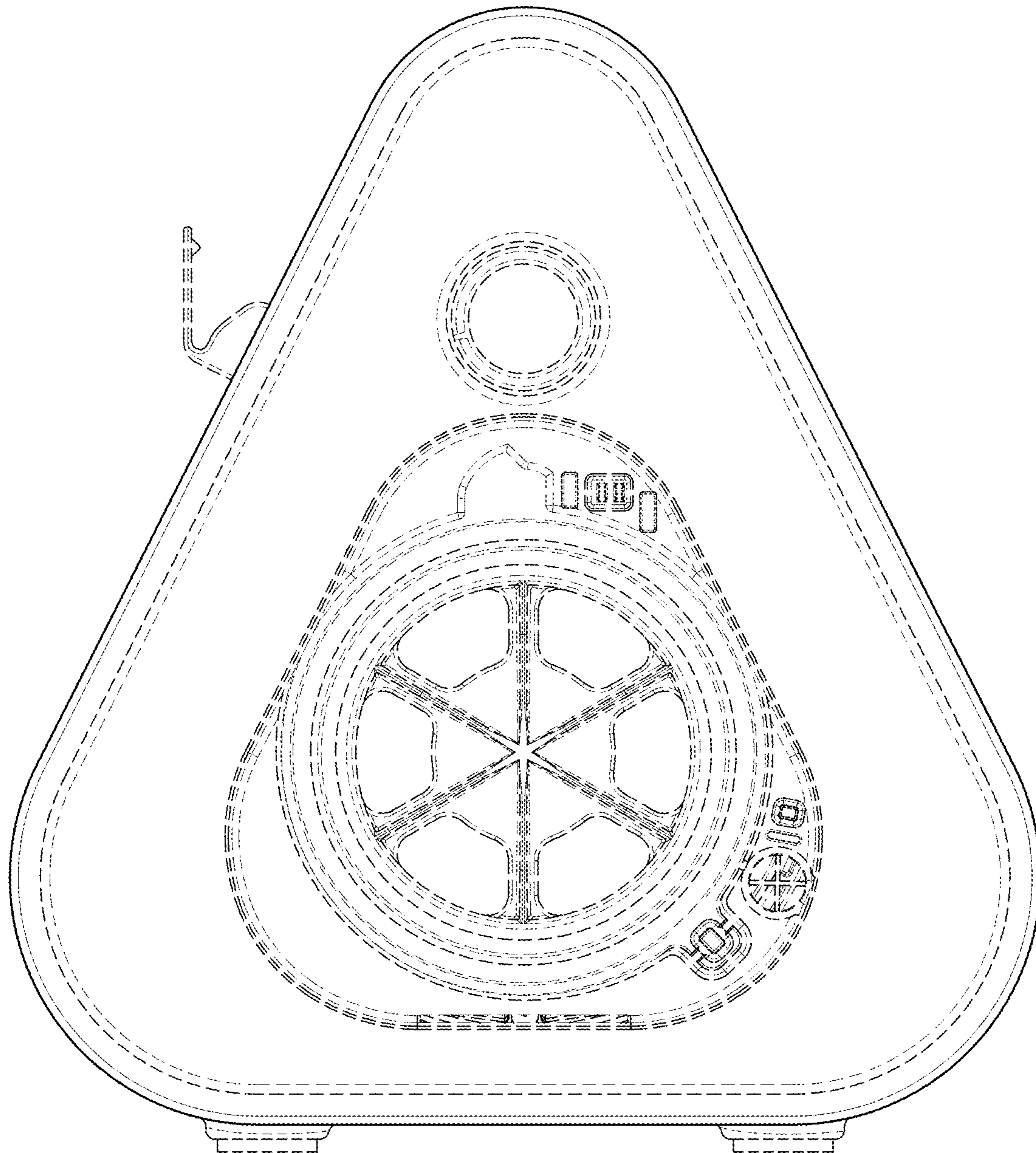


FIG. 11

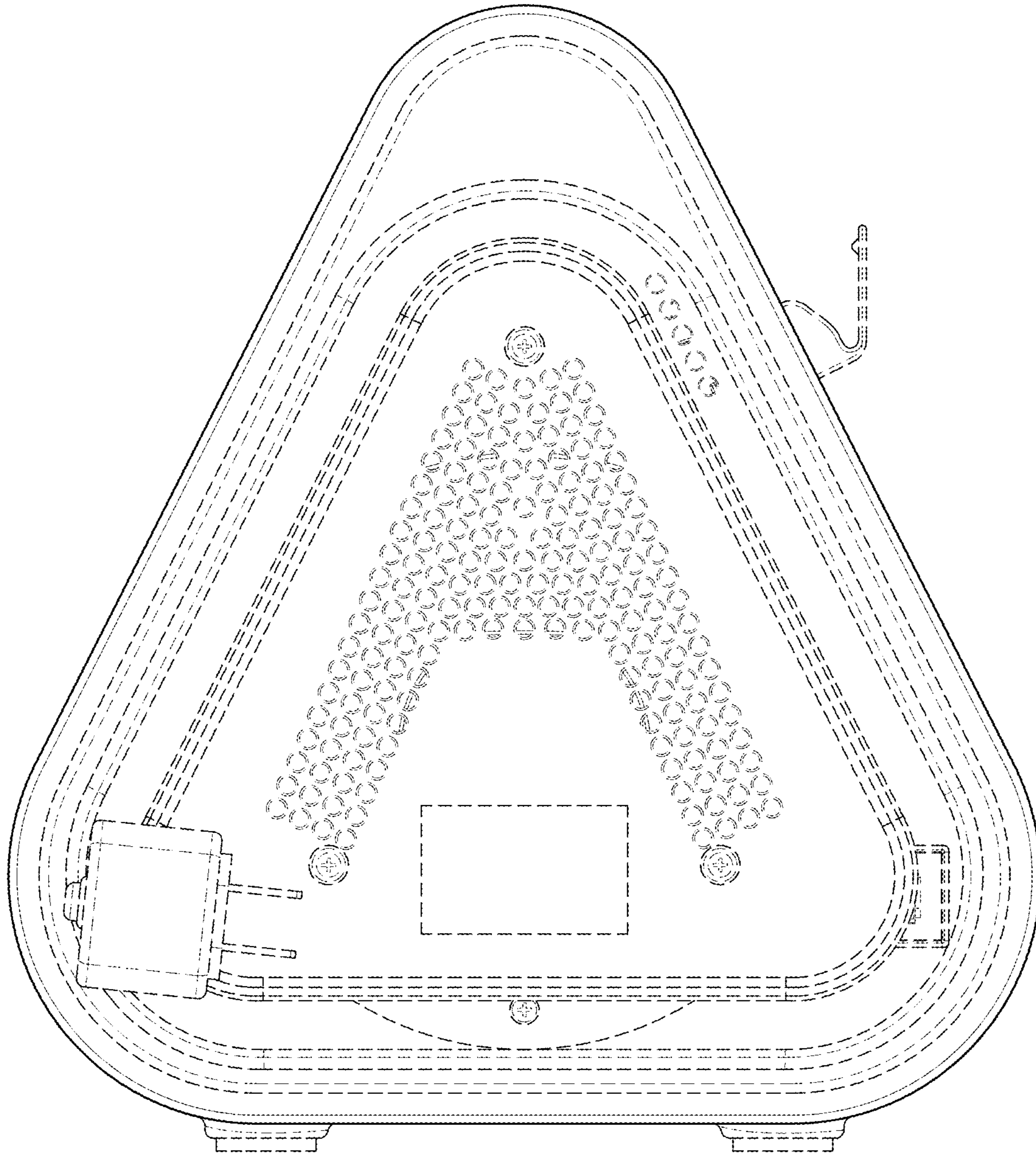


FIG. 12

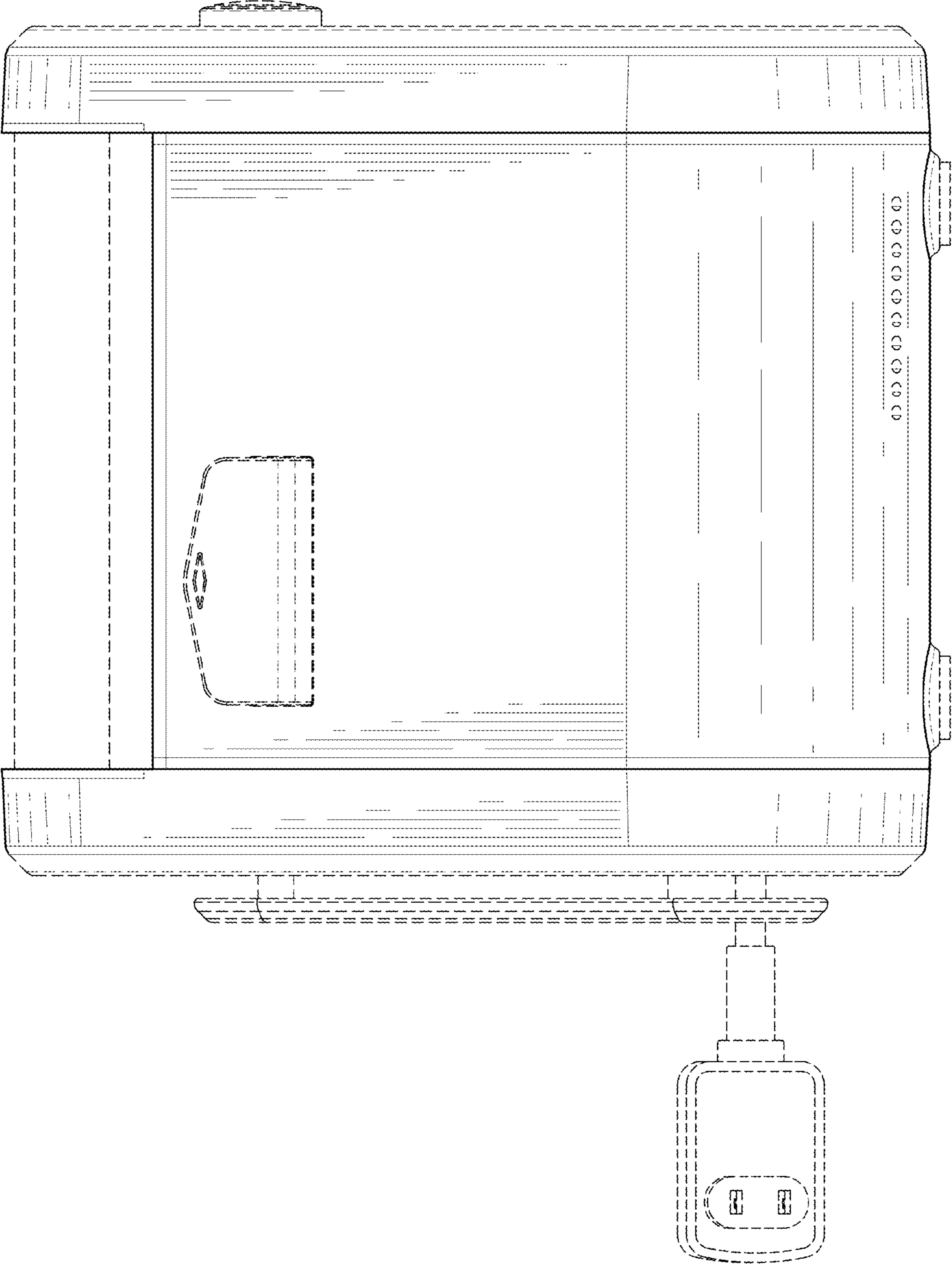


FIG. 13

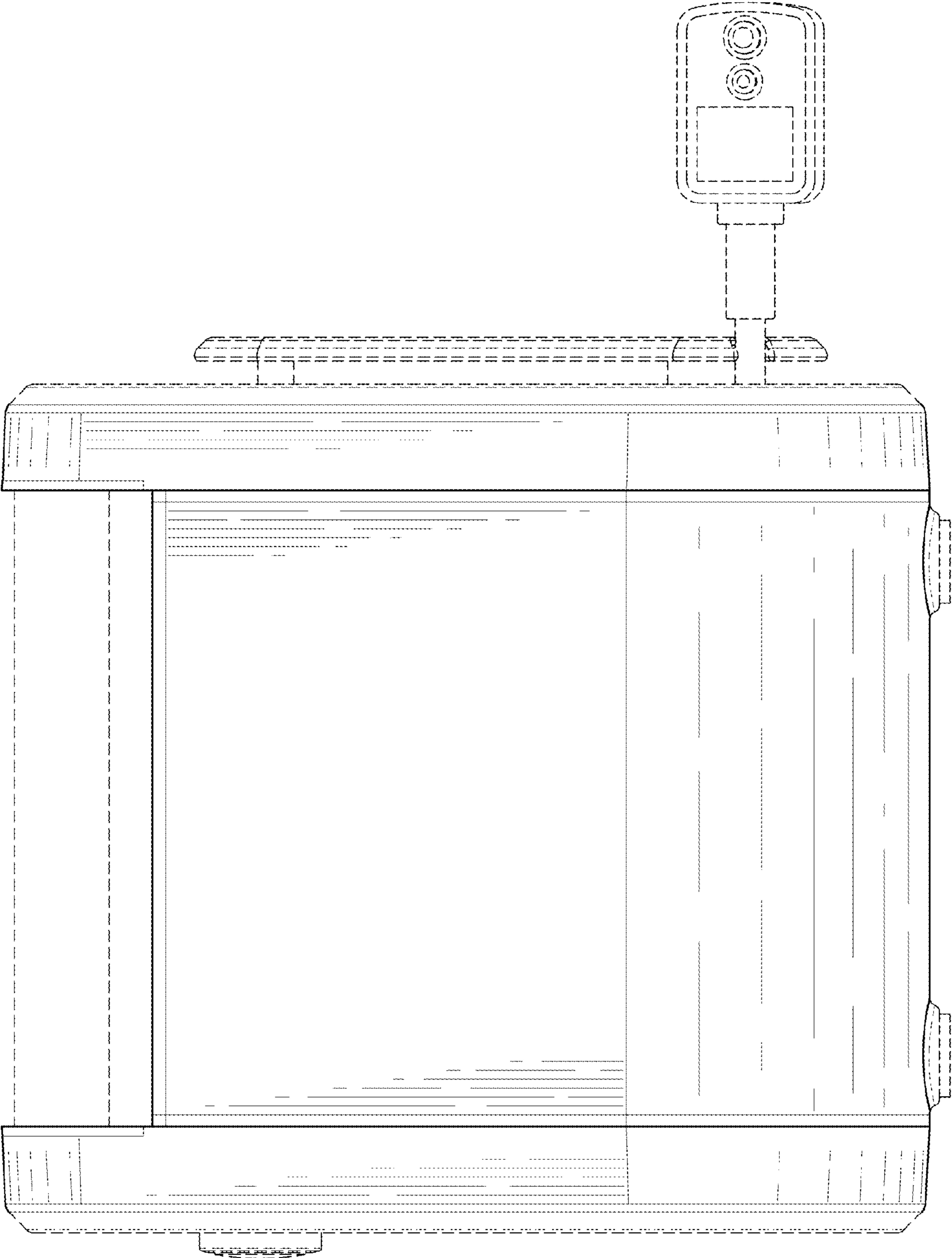


FIG. 14

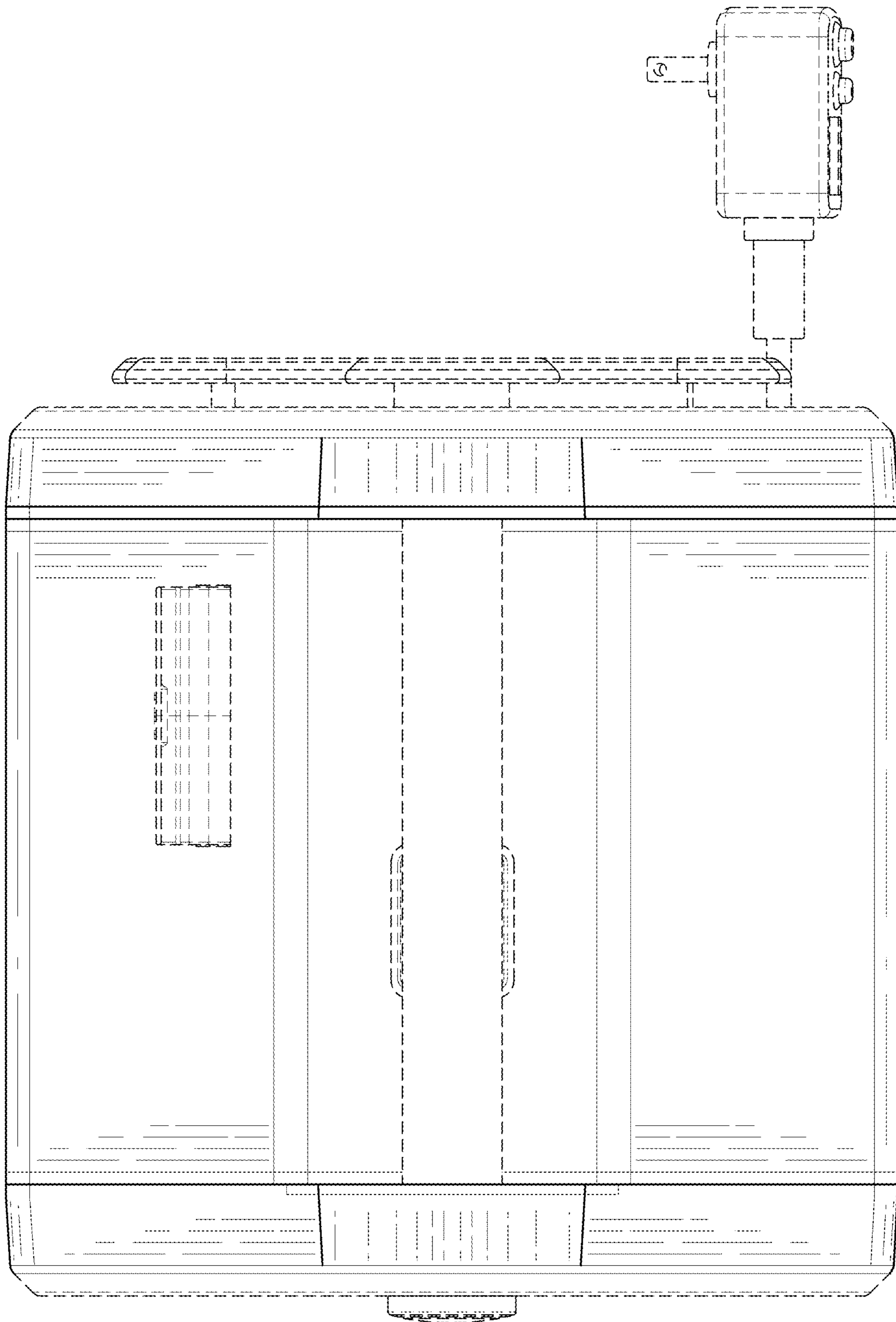


FIG. 15

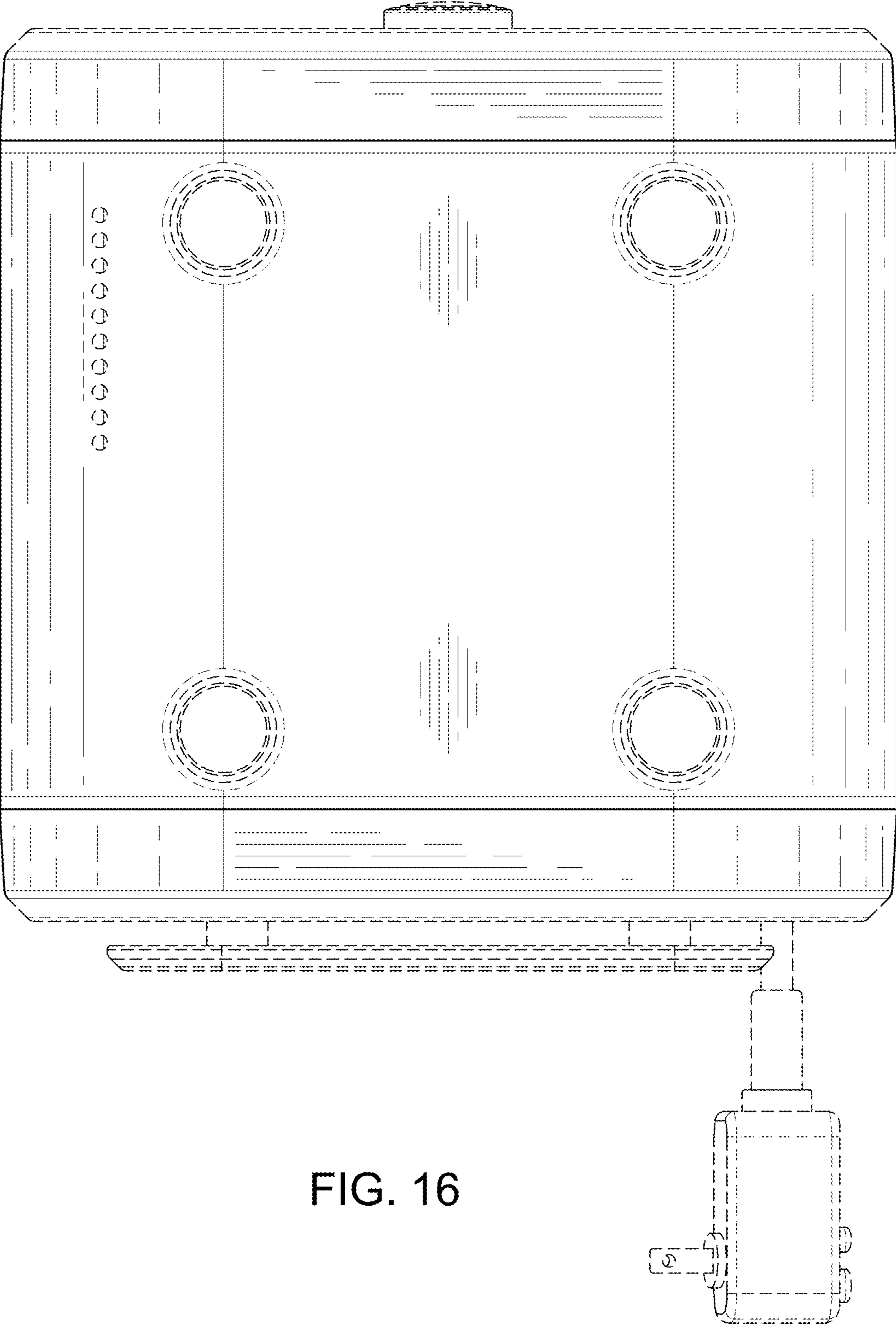


FIG. 16