



US00D913587S

(12) **United States Design Patent** (10) **Patent No.:** **US D913,587 S**
Thomason et al. (45) **Date of Patent:** **** Mar. 16, 2021**

(54) **VACUUM ASSISTED DEVICE FOR GROOMING HAIR**

DESCRIPTION

- (71) Applicant: **RevAir, LLC**, Macedonia, OH (US)
- (72) Inventors: **Scott Thomason**, Macedonia, OH (US);
Lou Monaco, South Euclid, OH (US);
Todd M. Bradford, Orrville, OH (US)
- (**) Term: **15 Years**
- (21) Appl. No.: **29/664,212**
- (22) Filed: **Sep. 24, 2018**
- (51) **LOC (13) Cl.** **28-03**
- (52) **U.S. Cl.**
USPC **D28/15**
- (58) **Field of Classification Search**
USPC D28/12-19
CPC A45D 20/00; A45D 20/48; A45D 20/50;
A45D 20/52; A45D 20/525
See application file for complete search history.

(56) **References Cited**

U.S. PATENT DOCUMENTS

D292,237 S	*	10/1987	Rubin	D28/12
D304,096 S	*	10/1989	Nithardt	D28/12
D305,464 S	*	1/1990	Rickard	D28/12
D314,839 S	*	2/1991	Ho	D28/12
D345,818 S	*	4/1994	Froidevaux	D28/12
D353,018 S	*	11/1994	Froidevaux	D28/12
D372,772 S	*	8/1996	Dubois	D23/332
D387,154 S	*	12/1997	Chiang	D23/332
D446,349 S	*	8/2001	Sasso	D28/12

* cited by examiner

Primary Examiner — Zenia I Bennett

(74) *Attorney, Agent, or Firm* — Benesch, Friedlander, Coplan & Aronoff LLP

(57) **CLAIM**

What is claimed is the ornamental designs for vacuum assisted devices for grooming hair, as shown and described.

FIG. 1 is a perspective view of a vacuum assisted device for grooming hair;

FIG. 2 is a front view of the vacuum assisted device for grooming hair of FIG. 1;

FIG. 3 is a rear view of the vacuum assisted device for grooming hair of FIG. 1;

FIG. 4 is a left side view of the vacuum assisted device for grooming hair of FIG. 1;

FIG. 5 is a right side view of the vacuum assisted device for grooming hair of FIG. 1;

FIG. 6 is a top view of the vacuum assisted device for grooming hair of FIG. 1;

FIG. 7 is a bottom view of the vacuum assisted device for grooming hair of FIG. 1;

FIG. 8 is a perspective view of another vacuum assisted device for grooming hair;

FIG. 9 is a front view of the vacuum assisted device for grooming hair of FIG. 8;

FIG. 10 is a rear view of the vacuum assisted device for grooming hair of FIG. 8;

FIG. 11 is a left side view of the vacuum assisted device for grooming hair of FIG. 8;

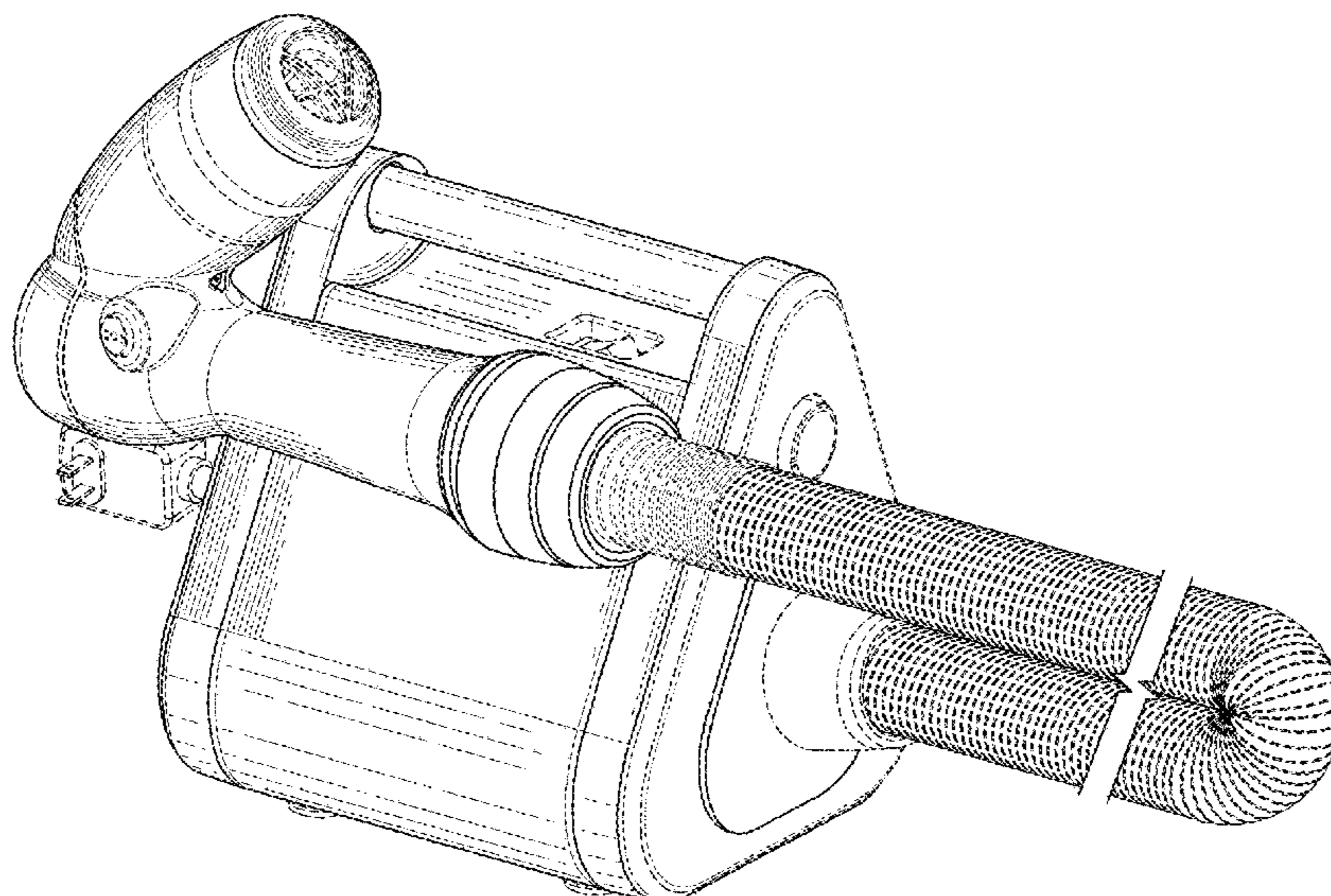
FIG. 12 is a right side view of the vacuum assisted device for grooming hair of FIG. 8;

FIG. 13 is a top view of the vacuum assisted device for grooming hair of FIG. 8; and,

FIG. 14 is a bottom view of the vacuum assisted device for grooming hair of FIG. 8.

Any features shown in broken lines illustrate a portion of the vacuum assisted device for grooming hair that forms no part of the claimed design. Any break lines are for convenience of viewing, and the appearance of any portion of the vacuum assisted device for grooming hair between the break lines forms no part of the claimed design. Further, no lines, shading or other effects are meant to be indicative of any specified colors.

1 Claim, 14 Drawing Sheets



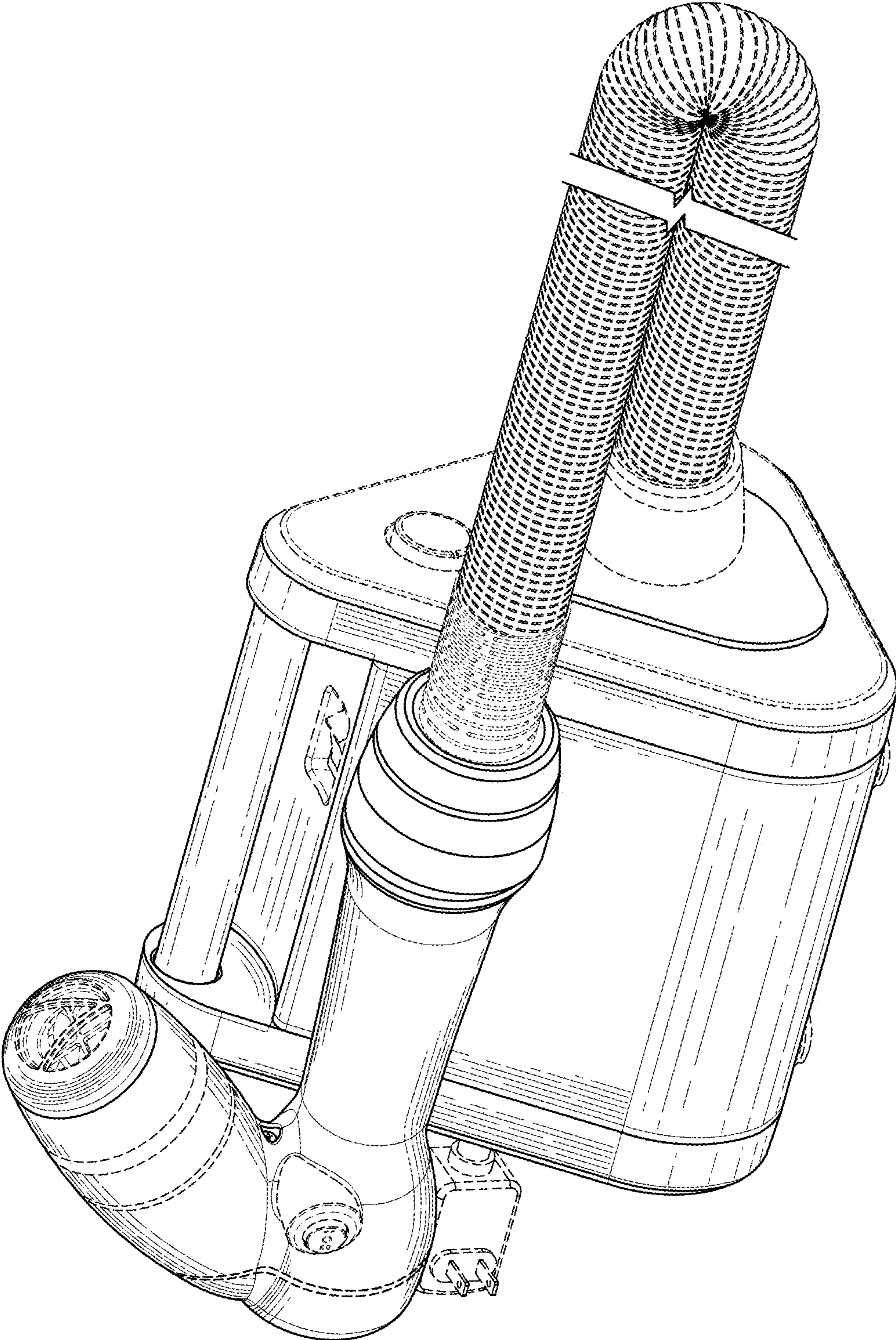


FIG. 1

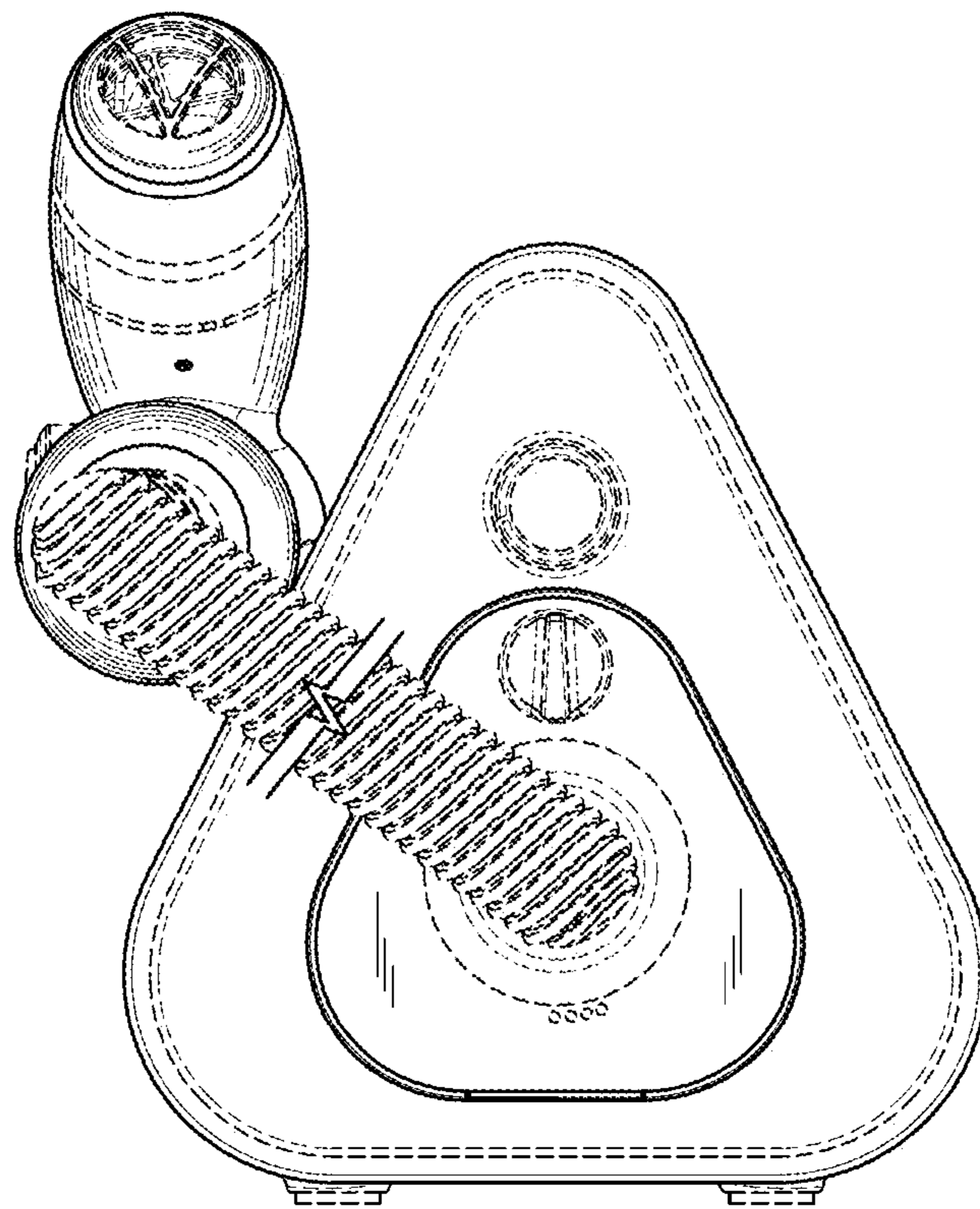


FIG. 2

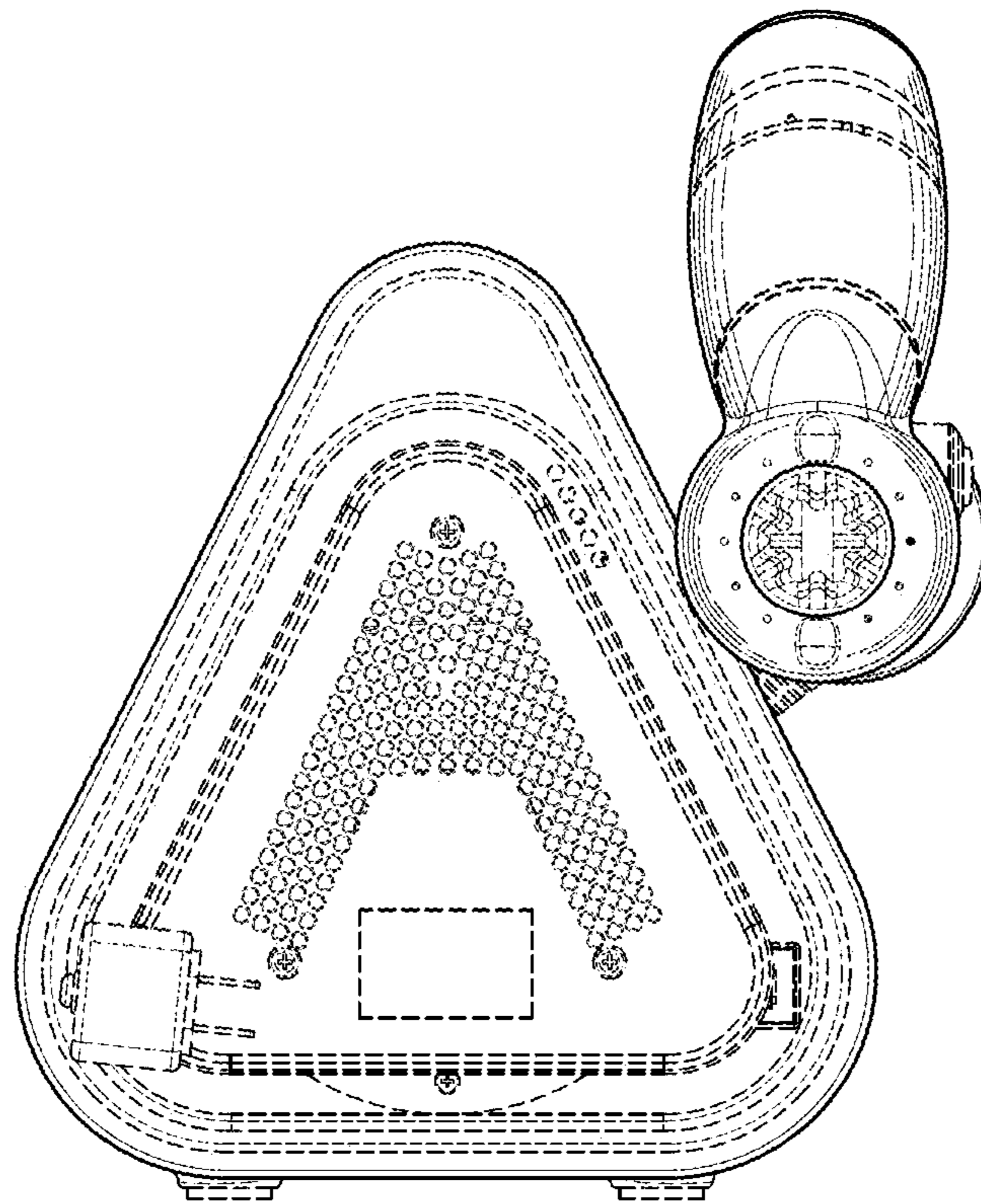


FIG. 3

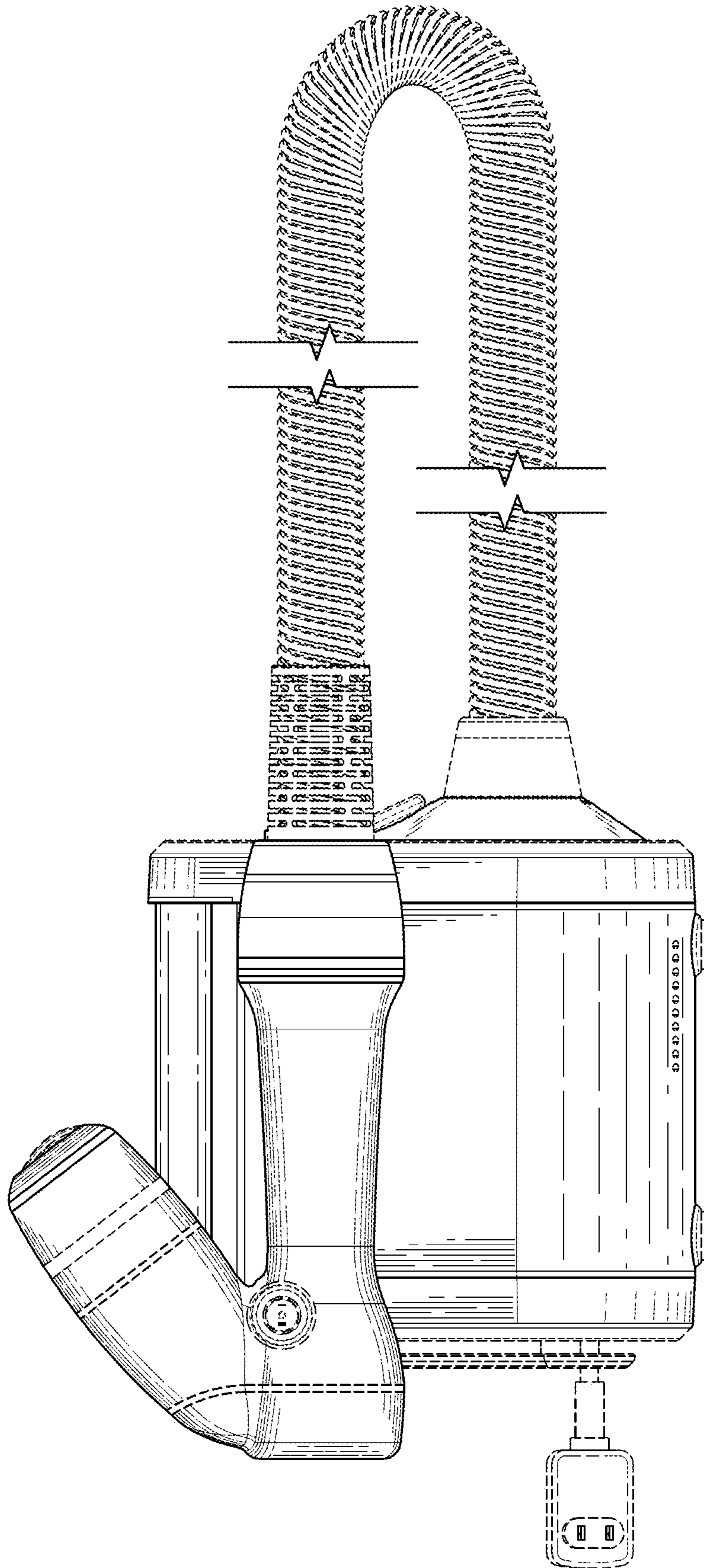


FIG. 4

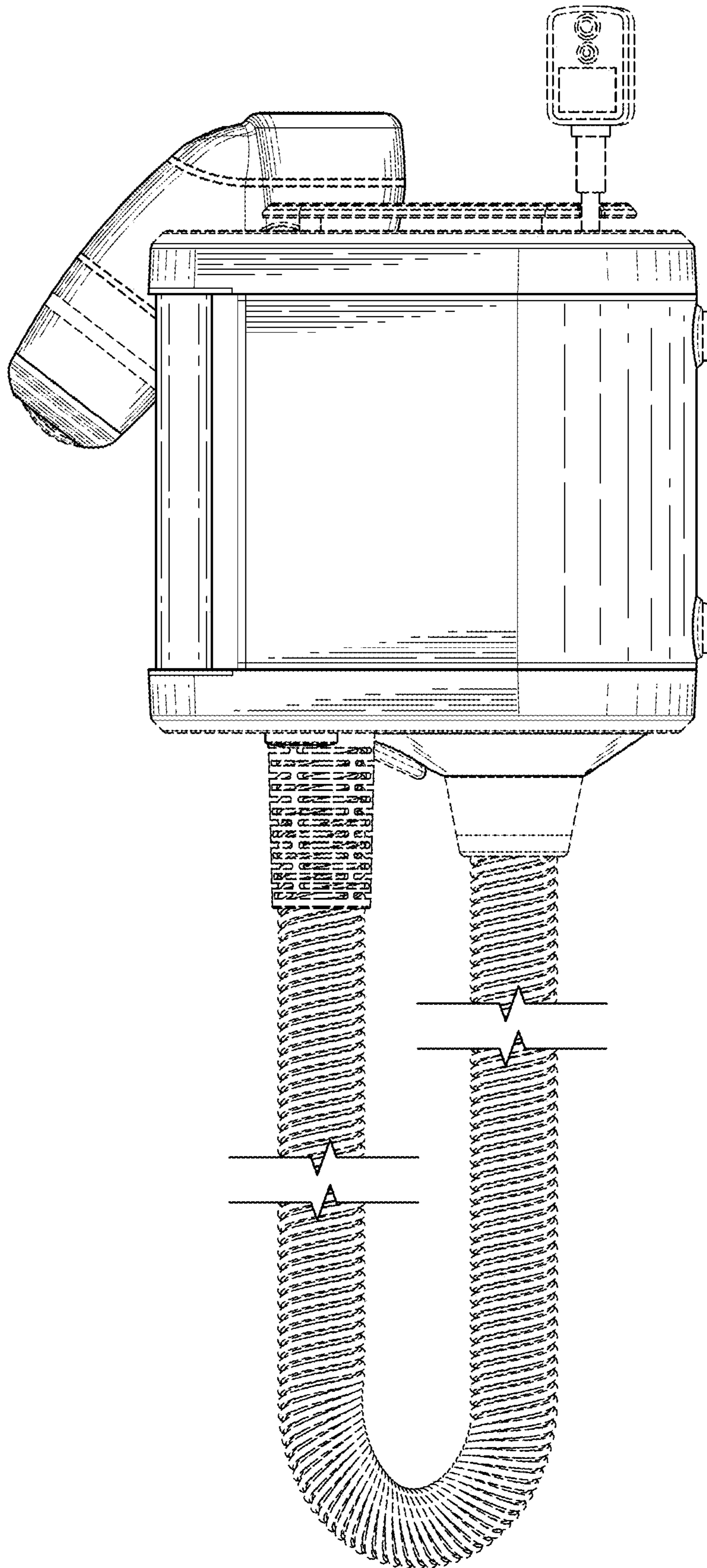


FIG. 5

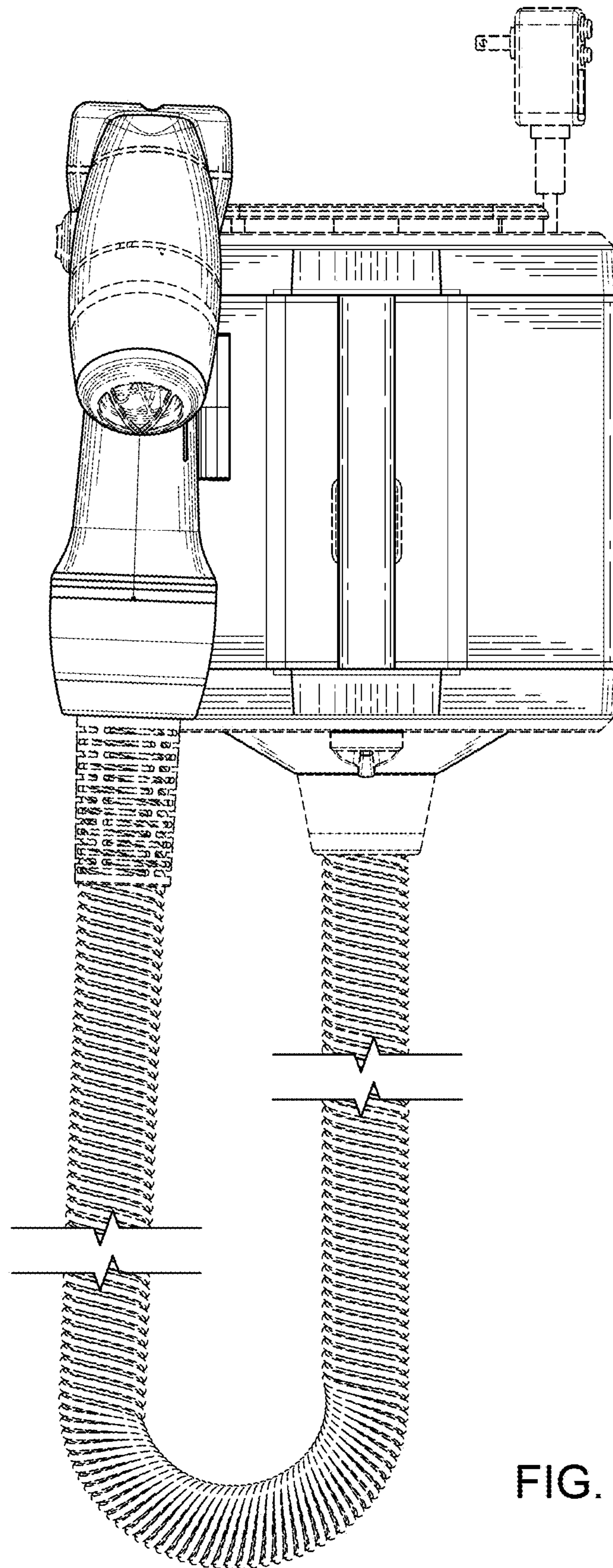


FIG. 6

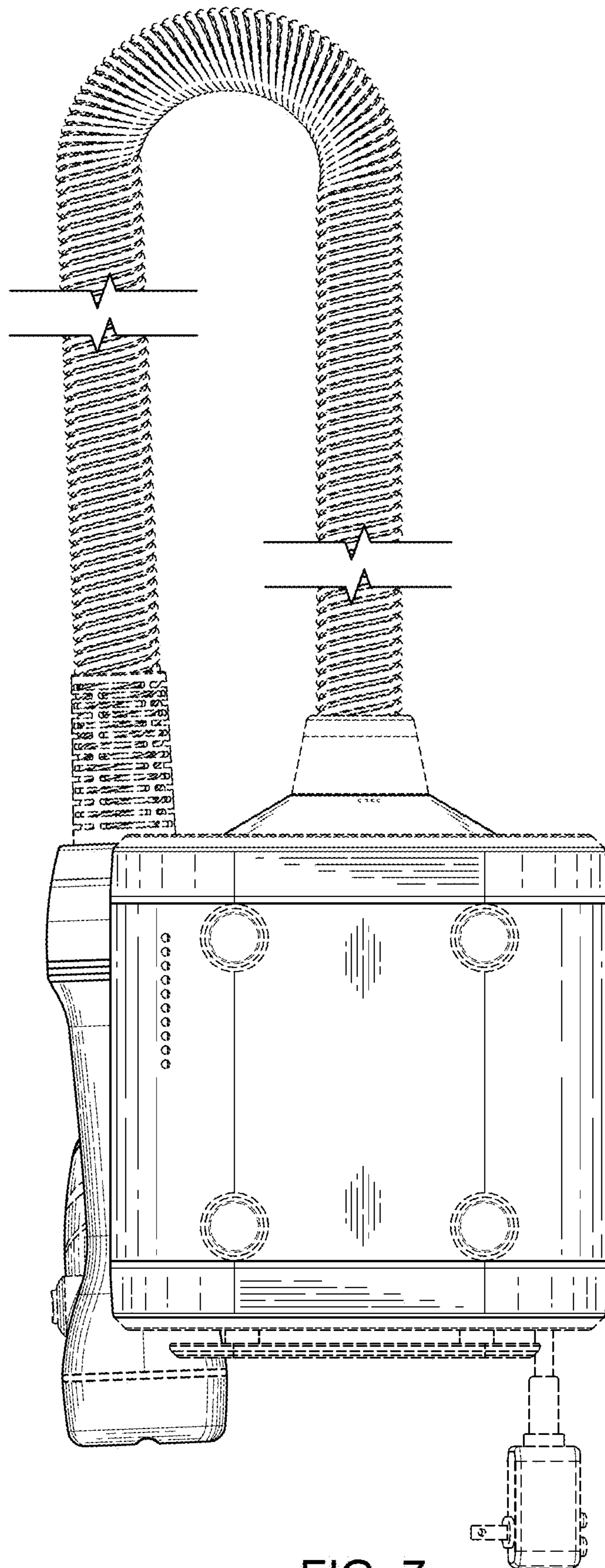


FIG. 7

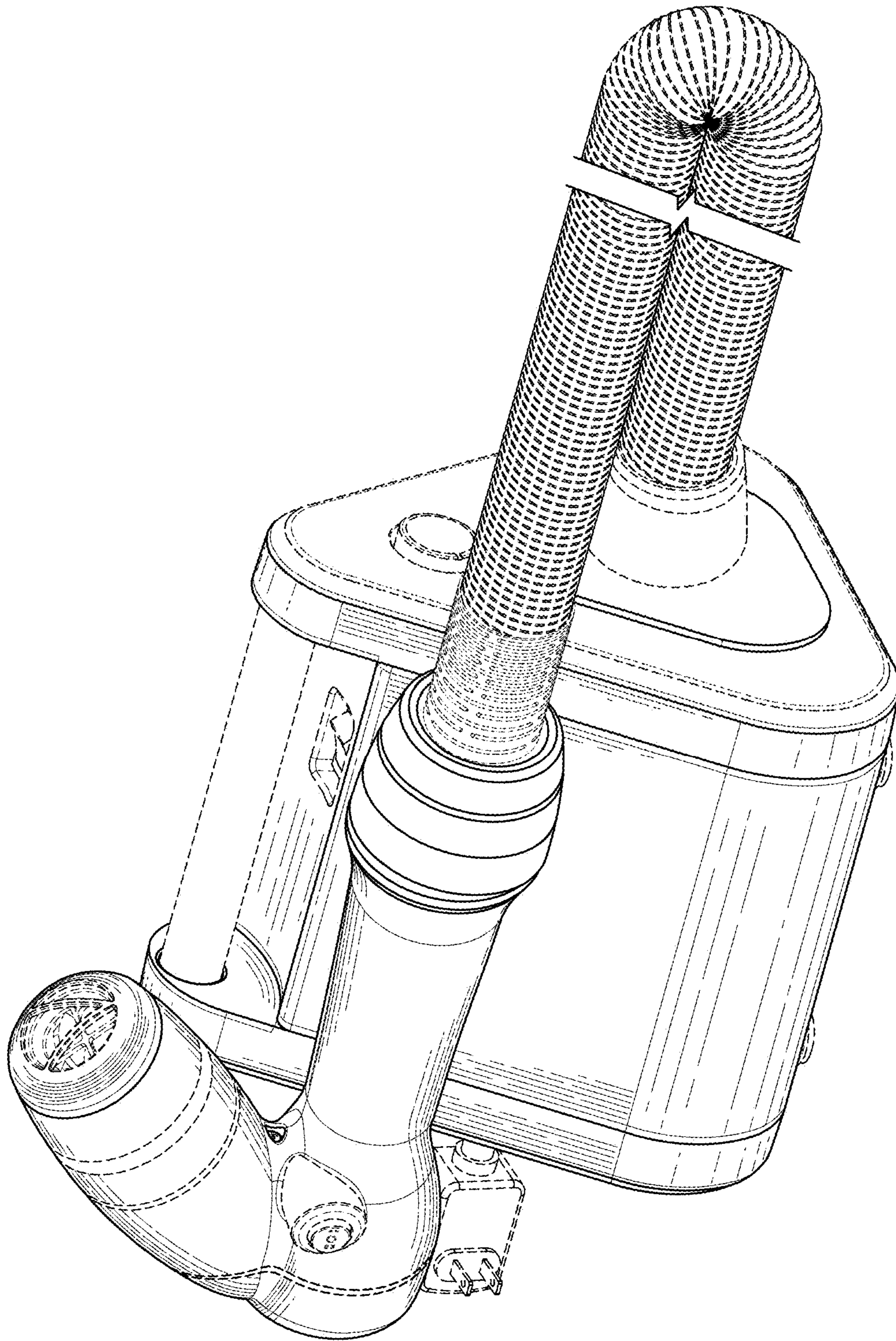


FIG. 8

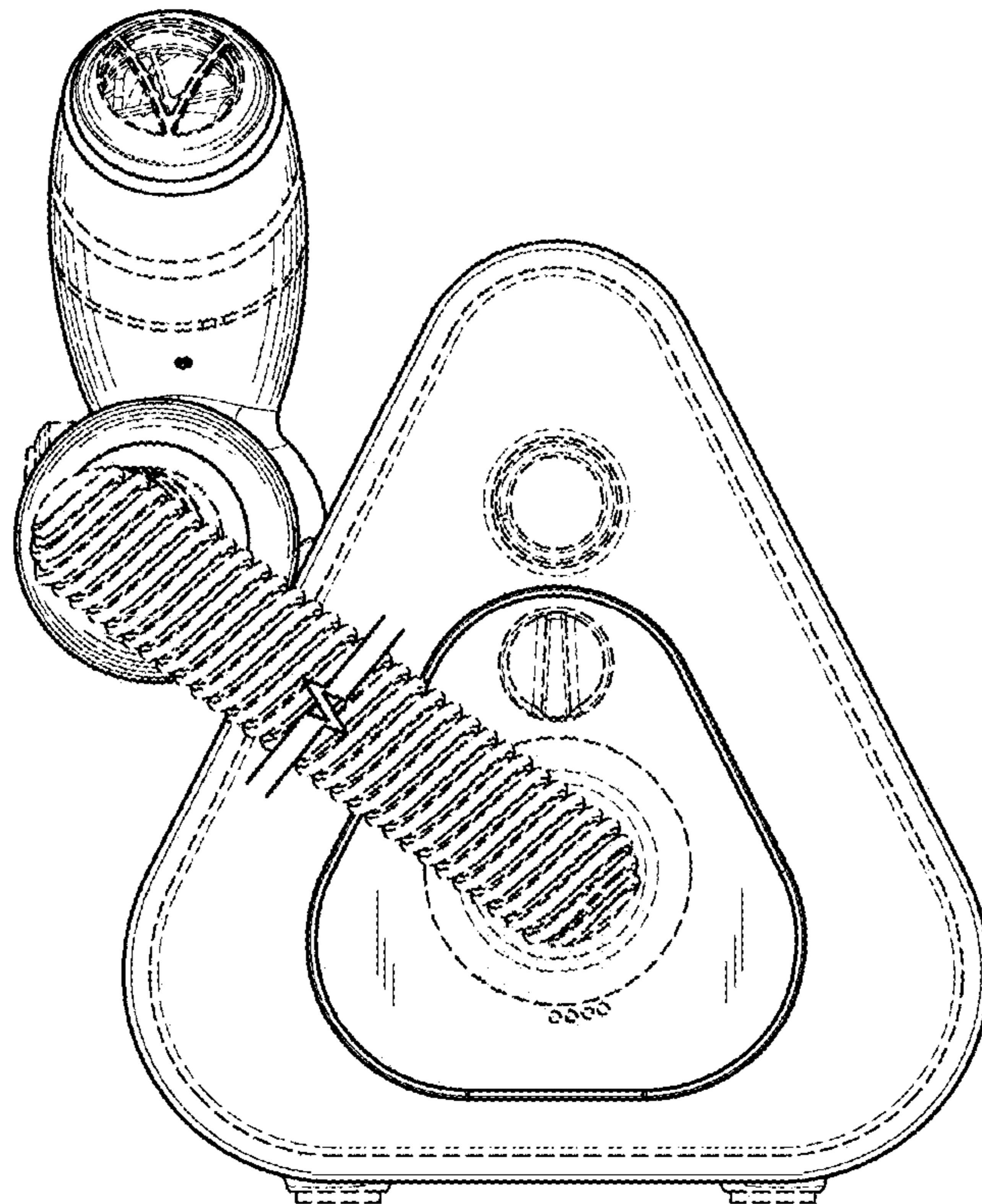


FIG. 9

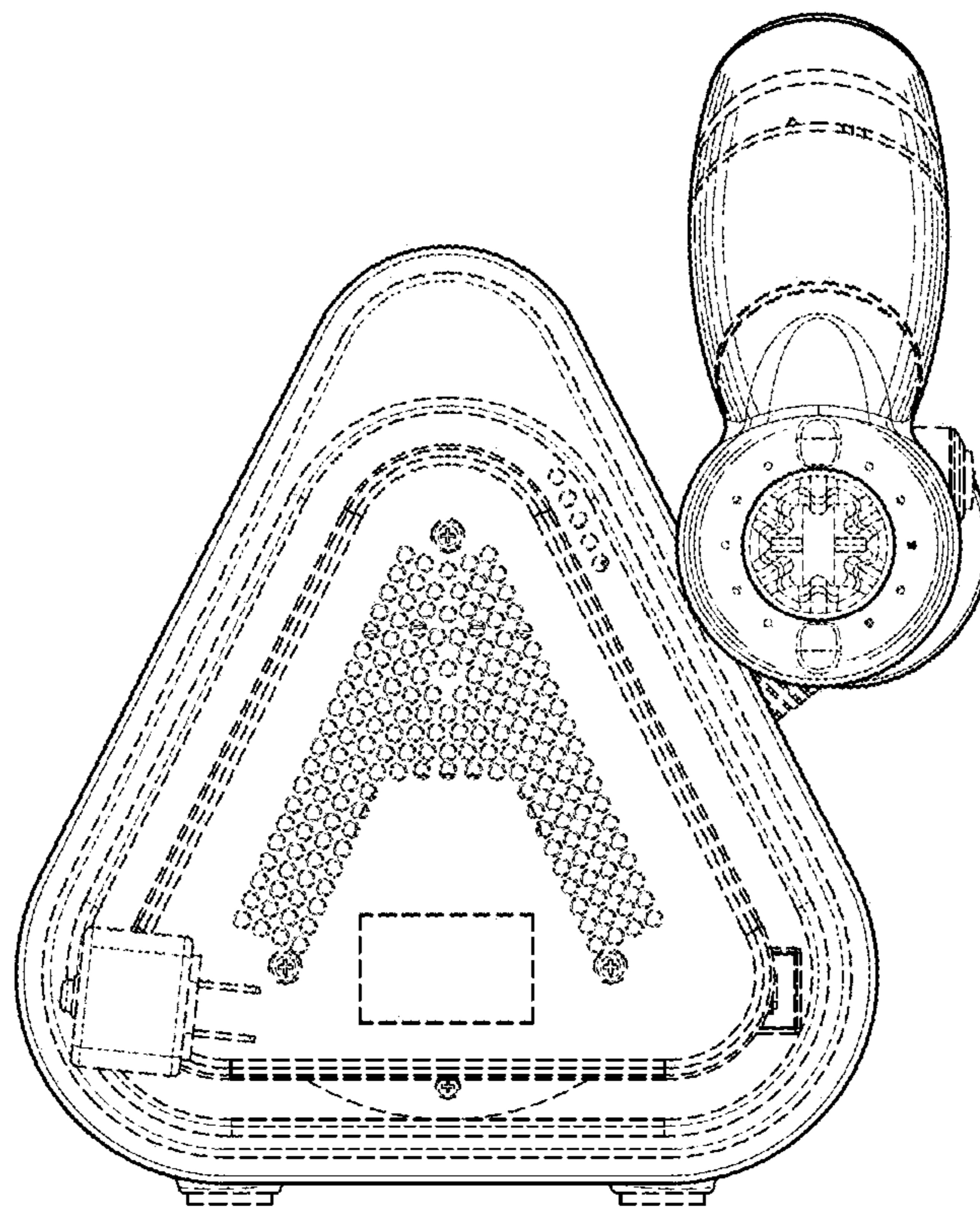


FIG. 10

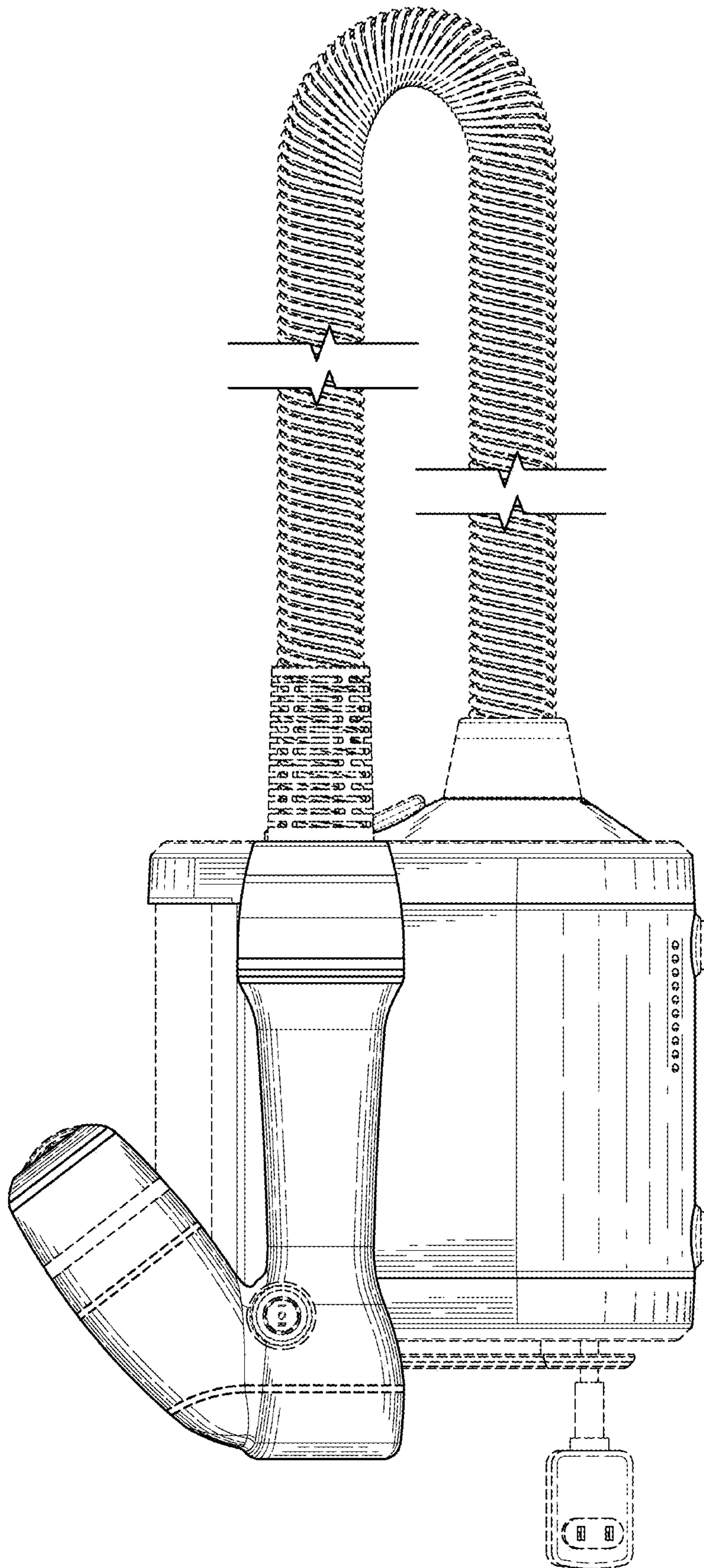


FIG. 11

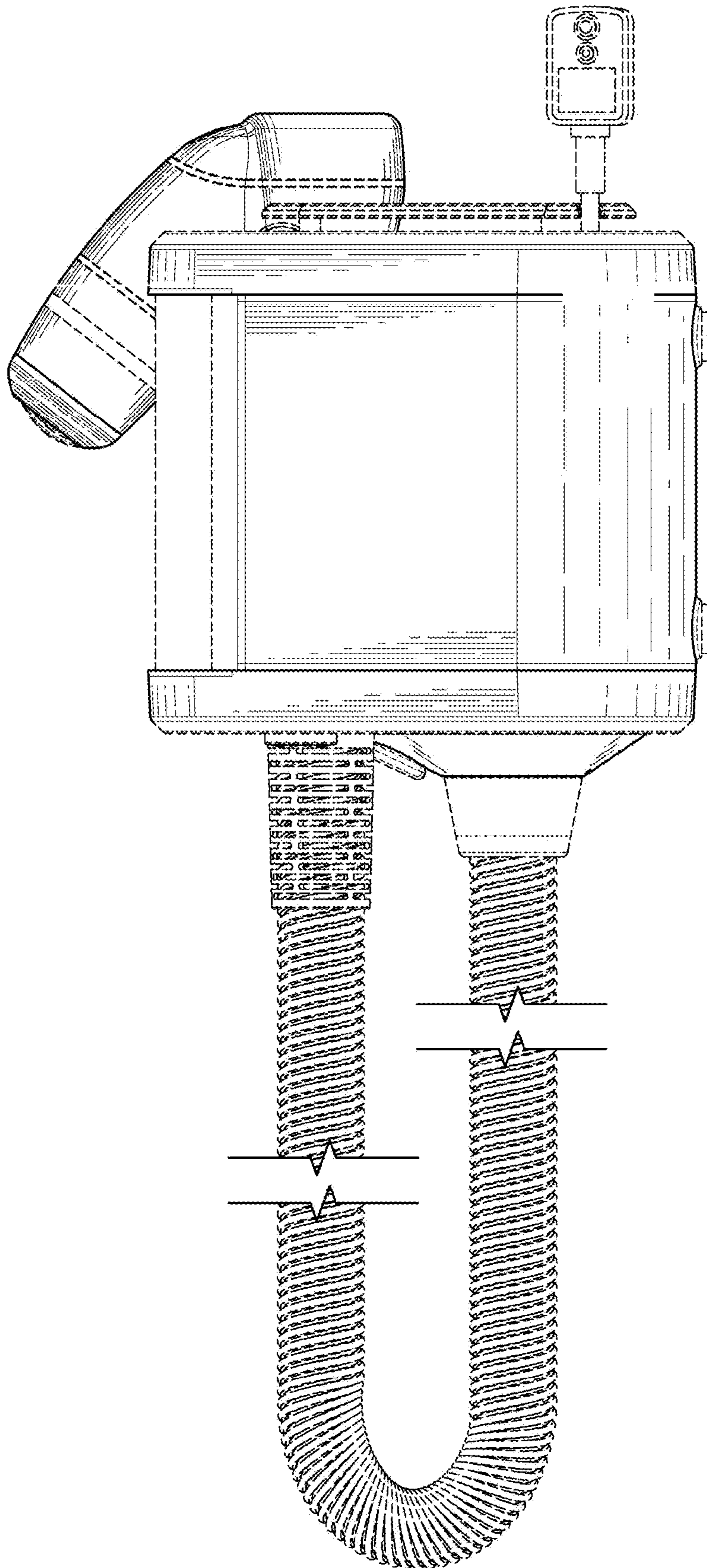


FIG. 12

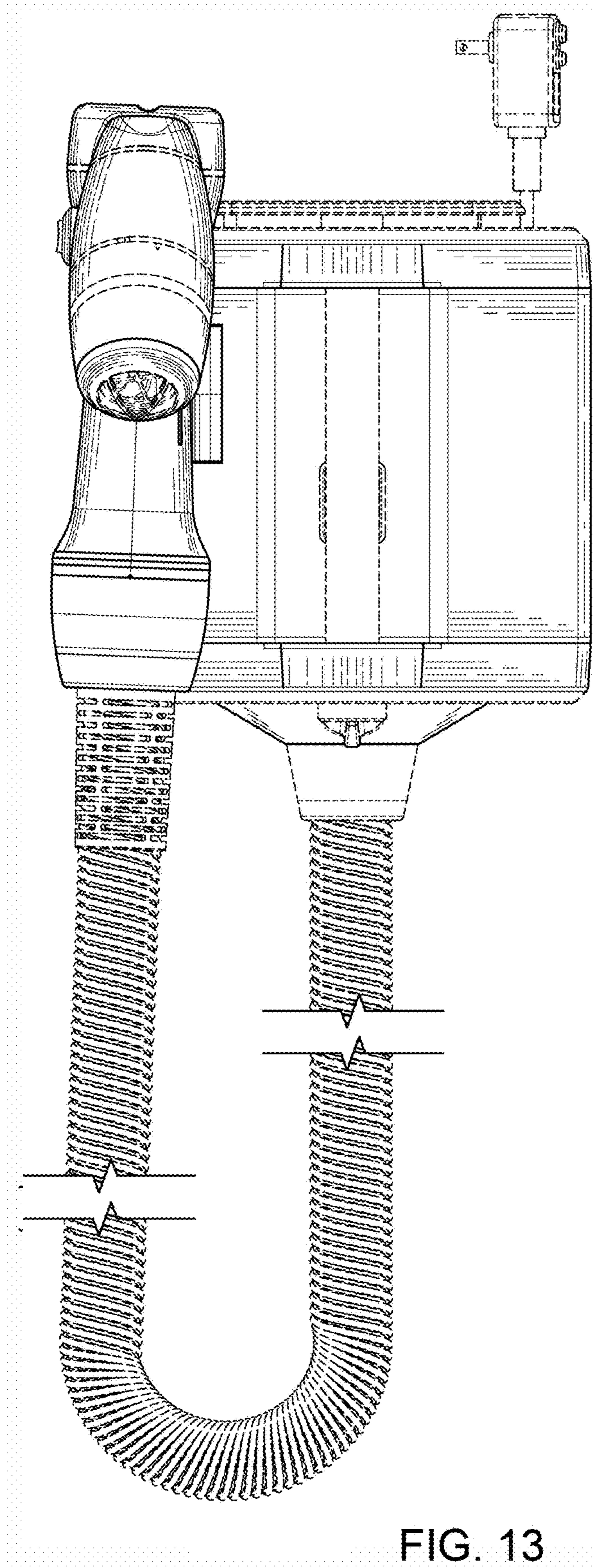


FIG. 13

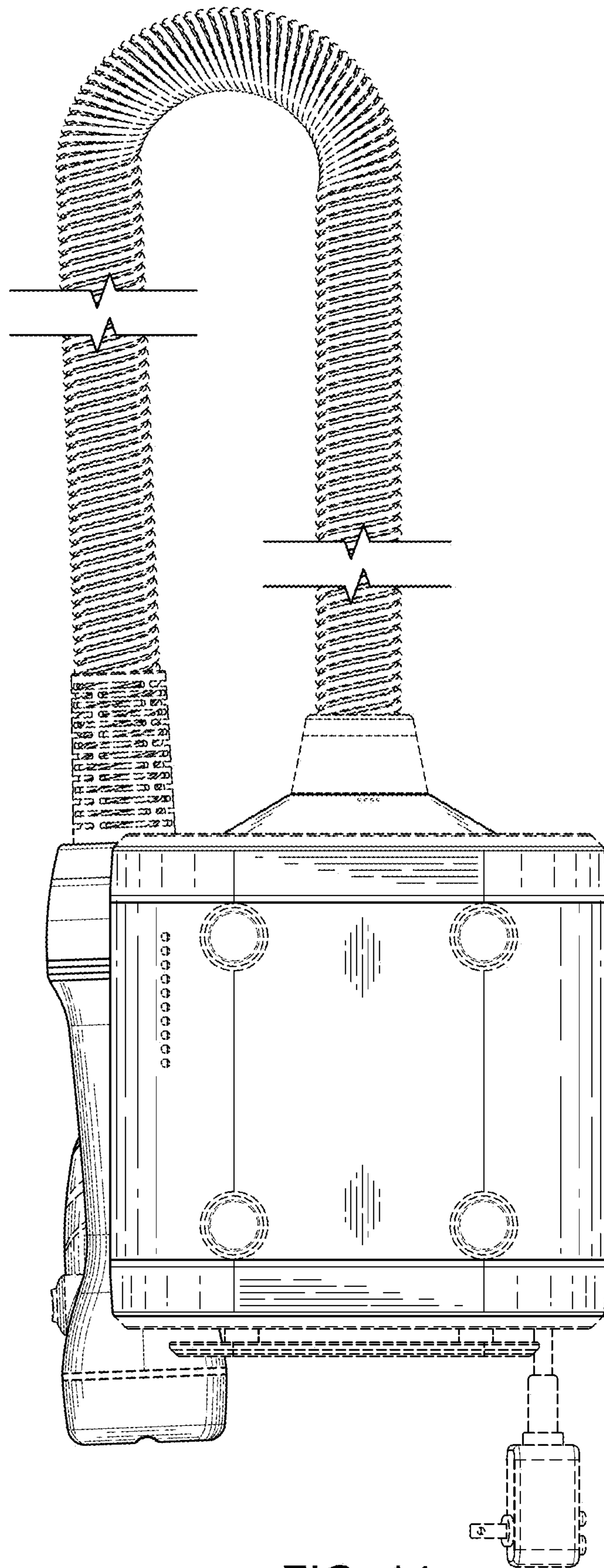


FIG. 14