



US00D913585S

(12) **United States Design Patent**  
**Gerhards**

(10) **Patent No.:** **US D913,585 S**

(45) **Date of Patent:** **\*\* Mar. 16, 2021**

(54) **TABLET**

(71) Applicant: **Henkel AG & Co. KGaA**, Duesseldorf (DE)

(72) Inventor: **Katja Gerhards**, Duesseldorf (DE)

(73) Assignee: **Henkel AG & Co. KGaA**, Duesseldorf (DE)

(\*\*) Term: **15 Years**

(21) Appl. No.: **29/680,733**

(22) Filed: **Feb. 19, 2019**

**Related U.S. Application Data**

(62) Division of application No. 29/591,078, filed on Jan. 17, 2017, now Pat. No. Des. 844,894.

(51) **LOC (13) Cl.** ..... **28-02**

(52) **U.S. Cl.**  
USPC ..... **D28/8.1; D24/101**

(58) **Field of Classification Search**  
USPC ..... D28/4, 8.1–8.2; D24/100–104  
CPC ..... C11D 17/02; C11D 17/04–045; C11D  
17/0004; C11D 17/0047–0095  
See application file for complete search history.

(56) **References Cited**

**U.S. PATENT DOCUMENTS**

D89,350 S 2/1933 Mosheim  
D260,301 S 8/1981 O'Connor

D347,084 S 5/1994 Crawford  
D349,781 S 8/1994 Crawford  
D443,108 S 5/2001 Friesenhahn  
D505,516 S 5/2005 McLeish  
7,144,851 B2 12/2006 Kosub et al.  
D566,893 S 4/2008 McCarthy  
D612,478 S \* 3/2010 Karolak ..... D24/101  
8,168,581 B2 5/2012 Wiedemann  
D768,923 S 10/2016 Dietvorst et al.  
D812,812 S 3/2018 Zuckerman et al.  
D814,015 S 3/2018 Heineck  
D814,108 S 3/2018 Zuckerman et al.  
D844,894 S \* 4/2019 Gerhards ..... D28/8.1

\* cited by examiner

*Primary Examiner* — Jennifer Rivard

(74) *Attorney, Agent, or Firm* — Bojuan Deng

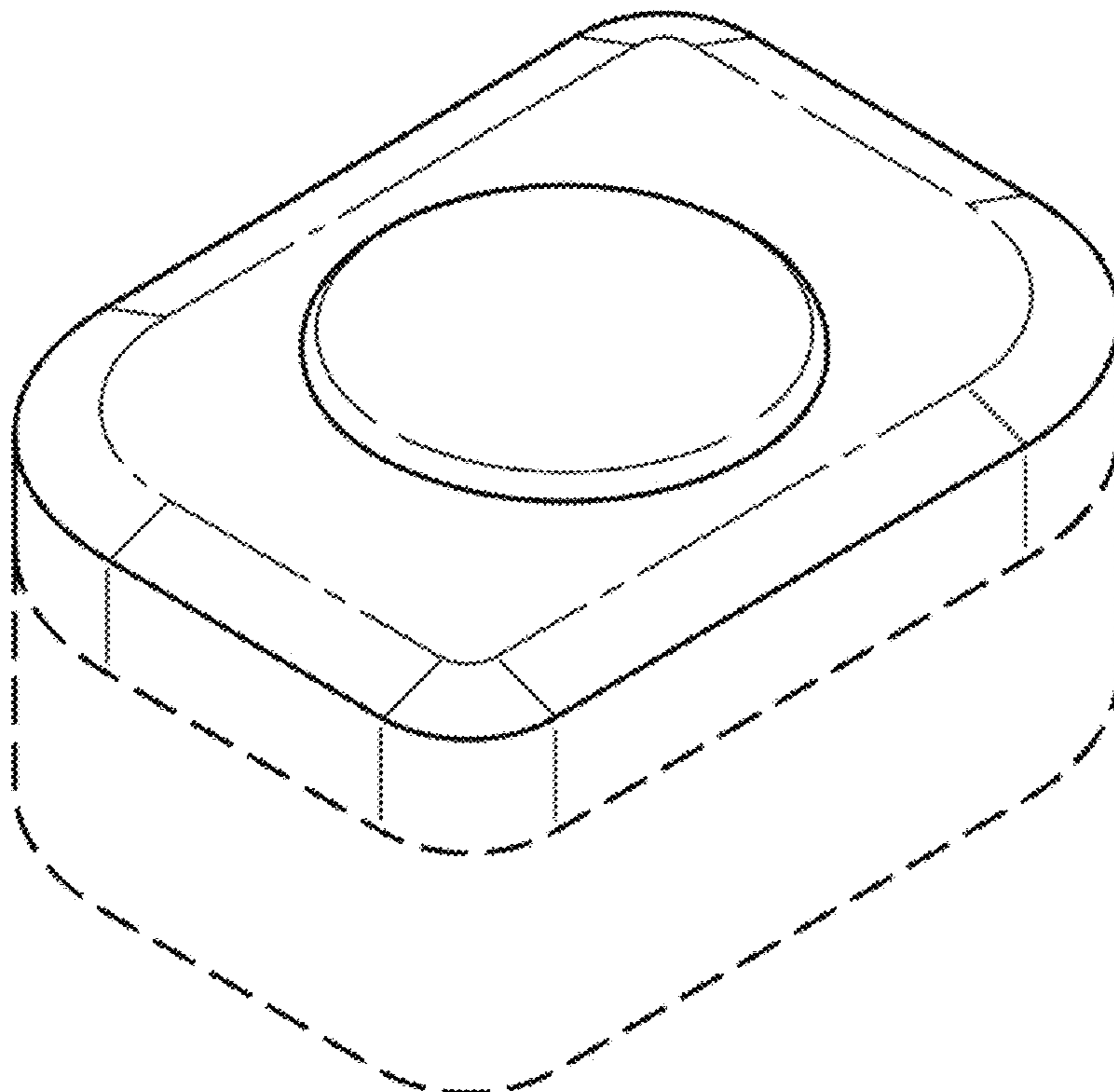
(57) **CLAIM**

The ornamental design for a tablet, as shown and described.

**DESCRIPTION**

FIG. 1 is a front perspective view of a tablet embodying our new design;  
FIG. 2 is a front elevation view thereof;  
FIG. 3 is a rear elevation view thereof;  
FIG. 4 is a right elevation view thereof;  
FIG. 5 is a left elevation view thereof;  
FIG. 6 is a top plan view thereof; and,  
FIG. 7 is a bottom plan view thereof.  
The broken lines are included for the purpose of illustrating the portions of the tablet that form no part of the claimed design.

**1 Claim, 3 Drawing Sheets**



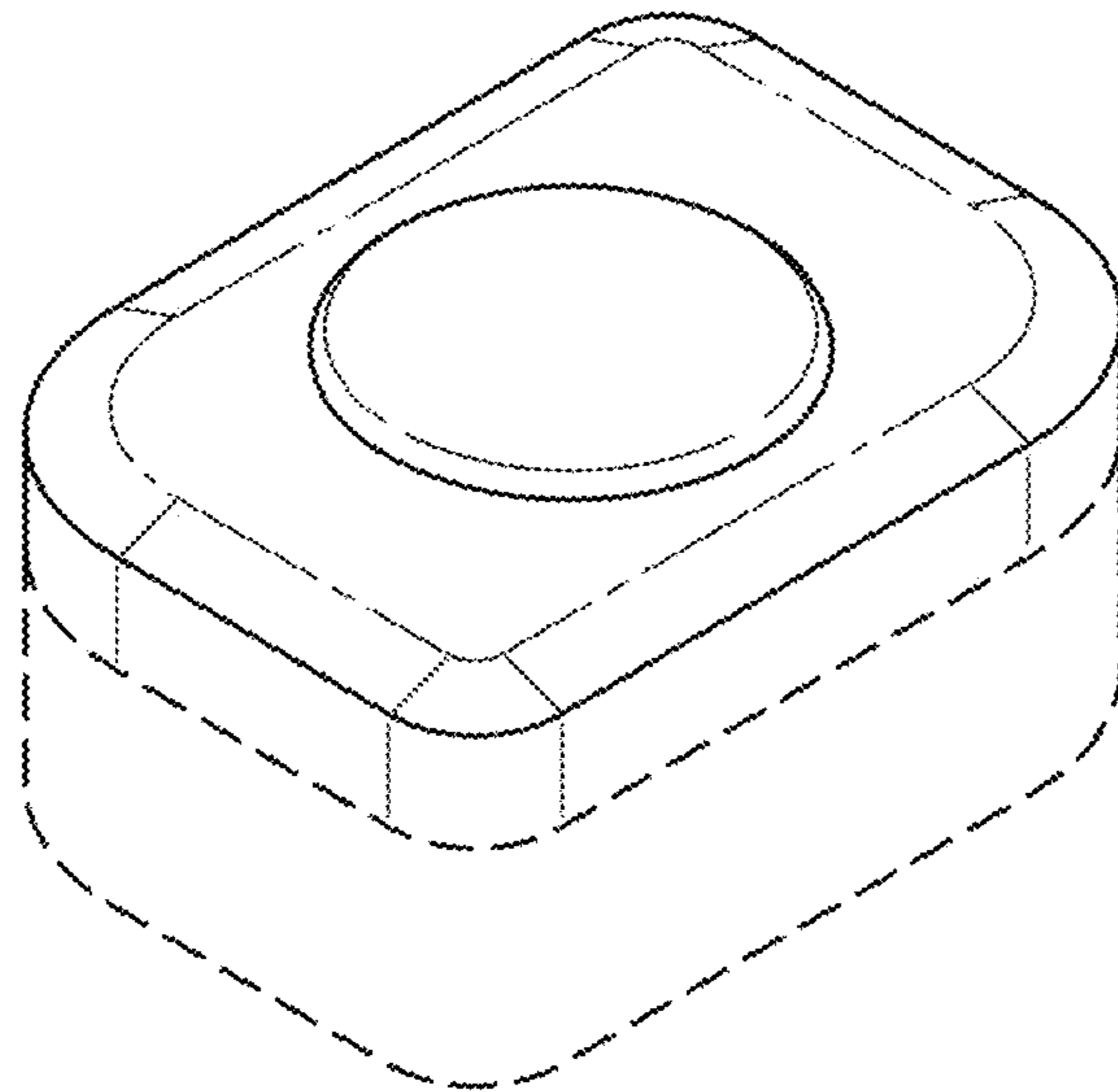


FIG. 1

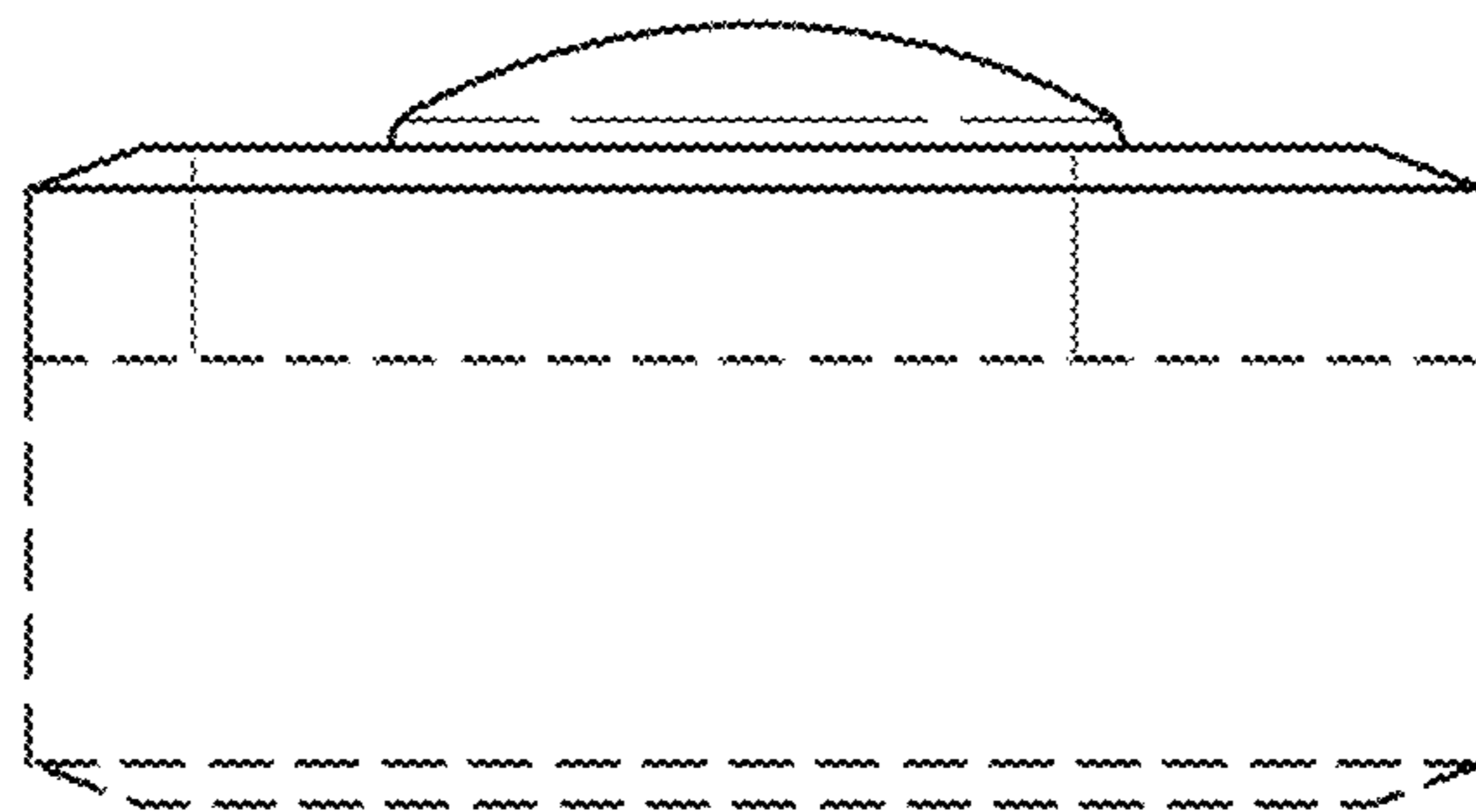


FIG. 2

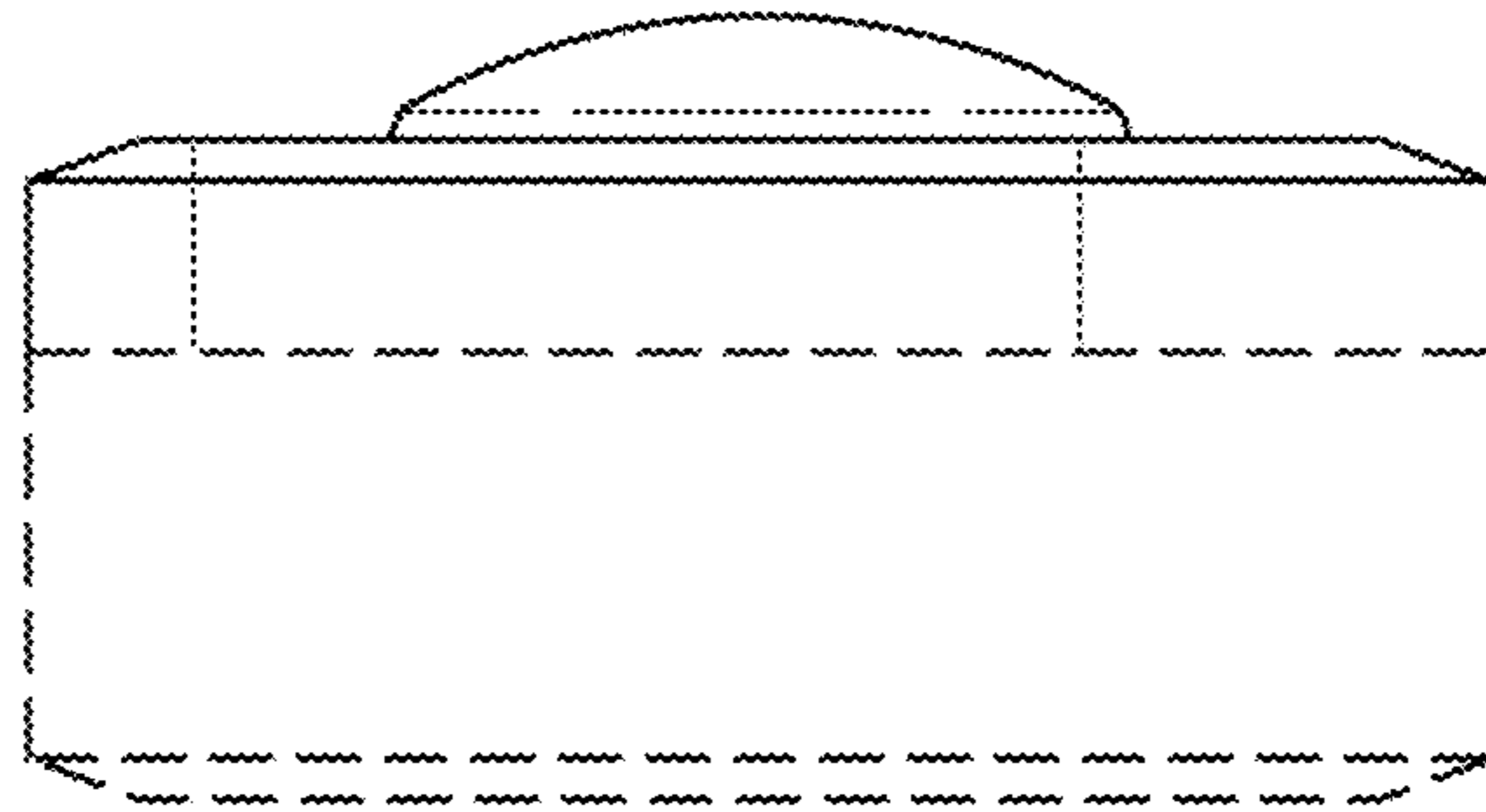


FIG. 3

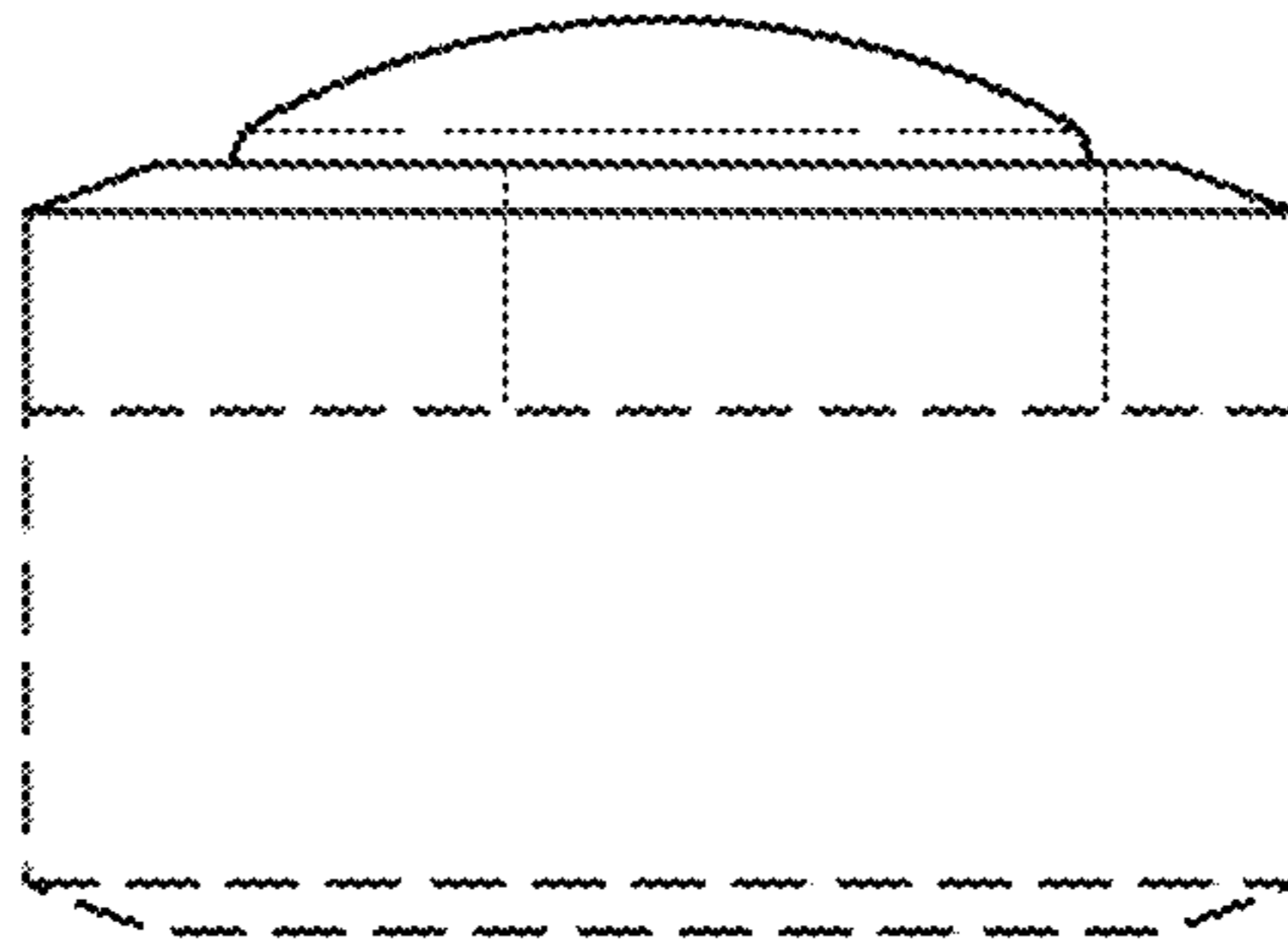


FIG. 4

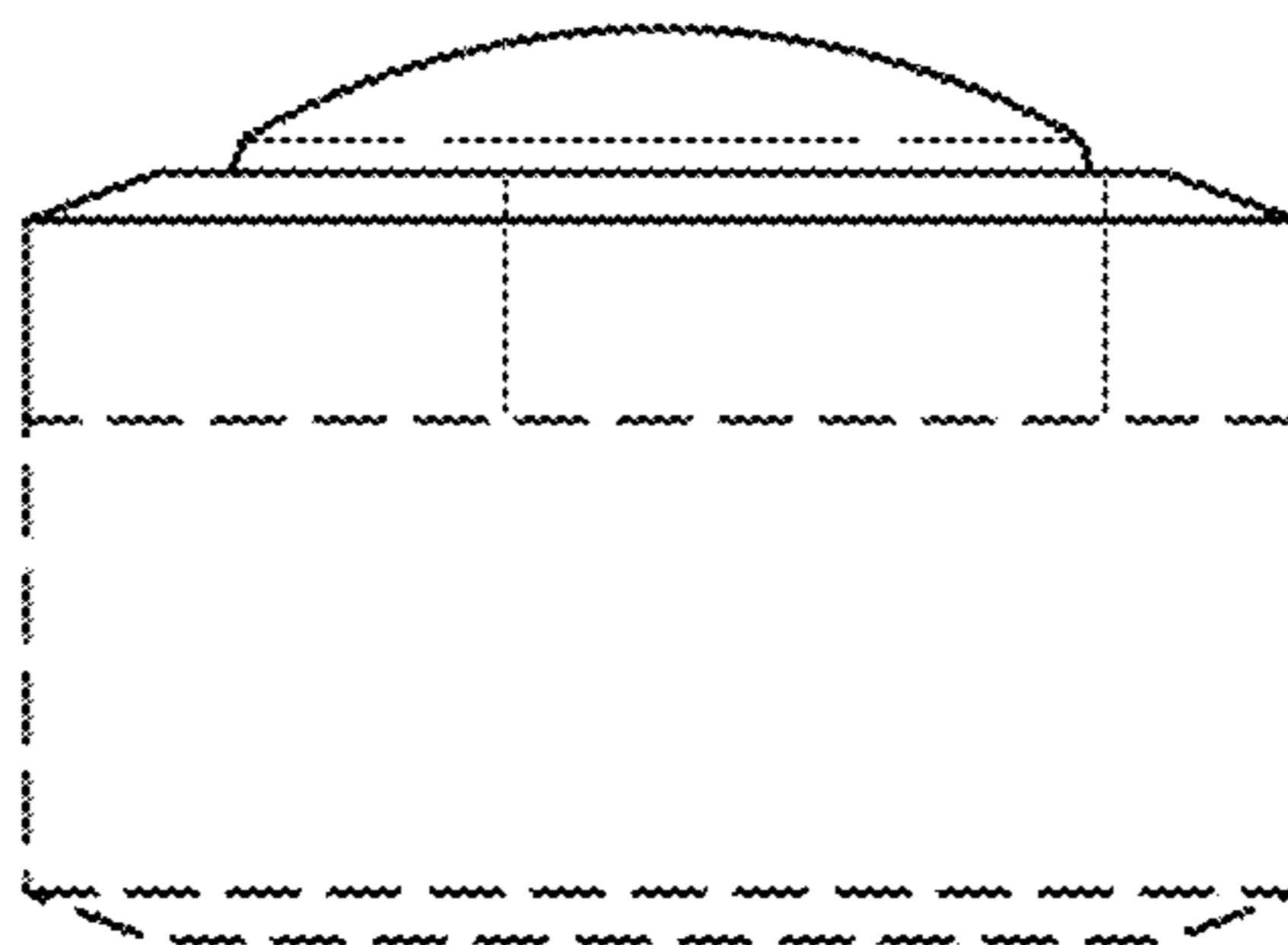


FIG. 5

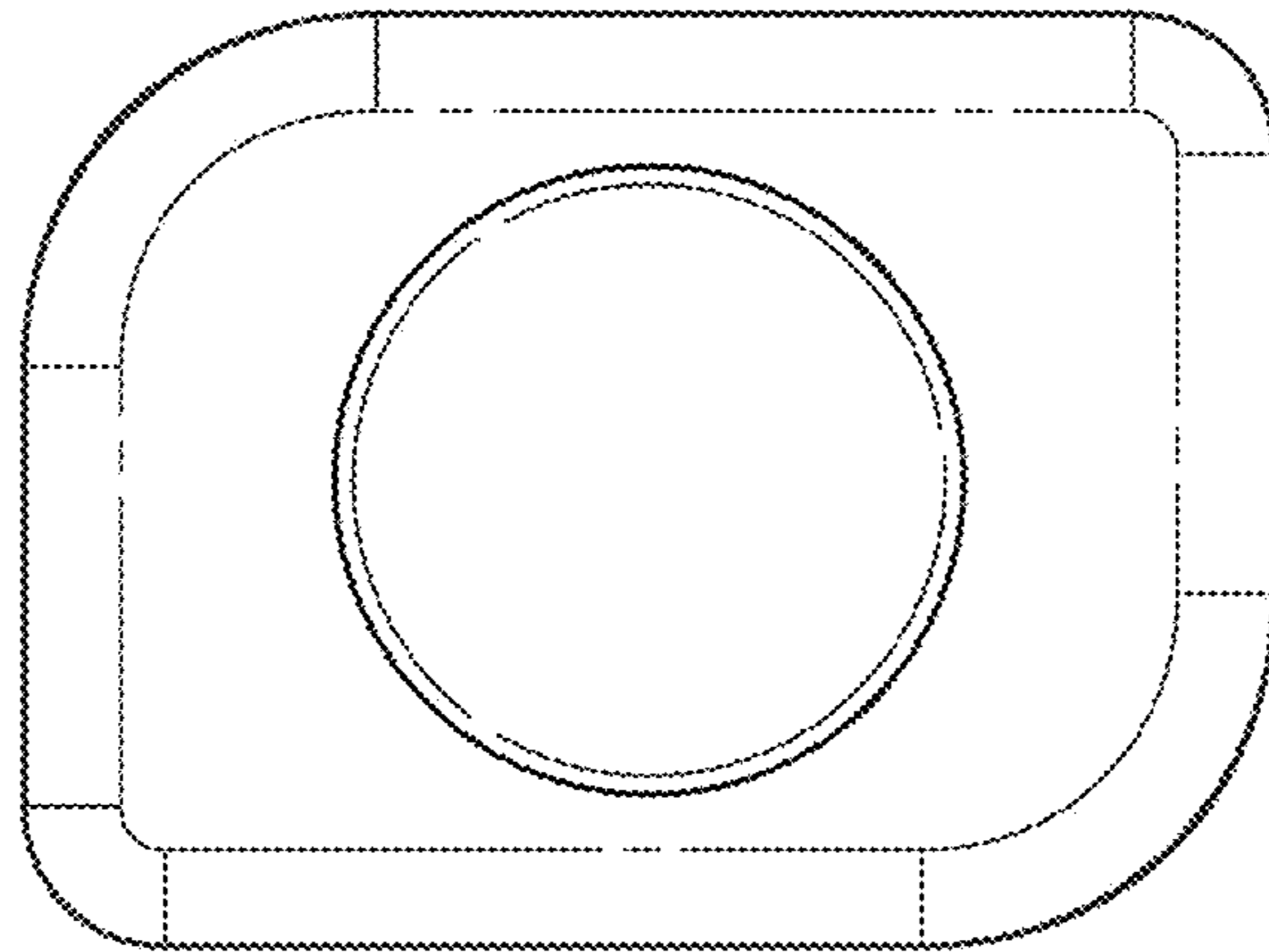


FIG. 6

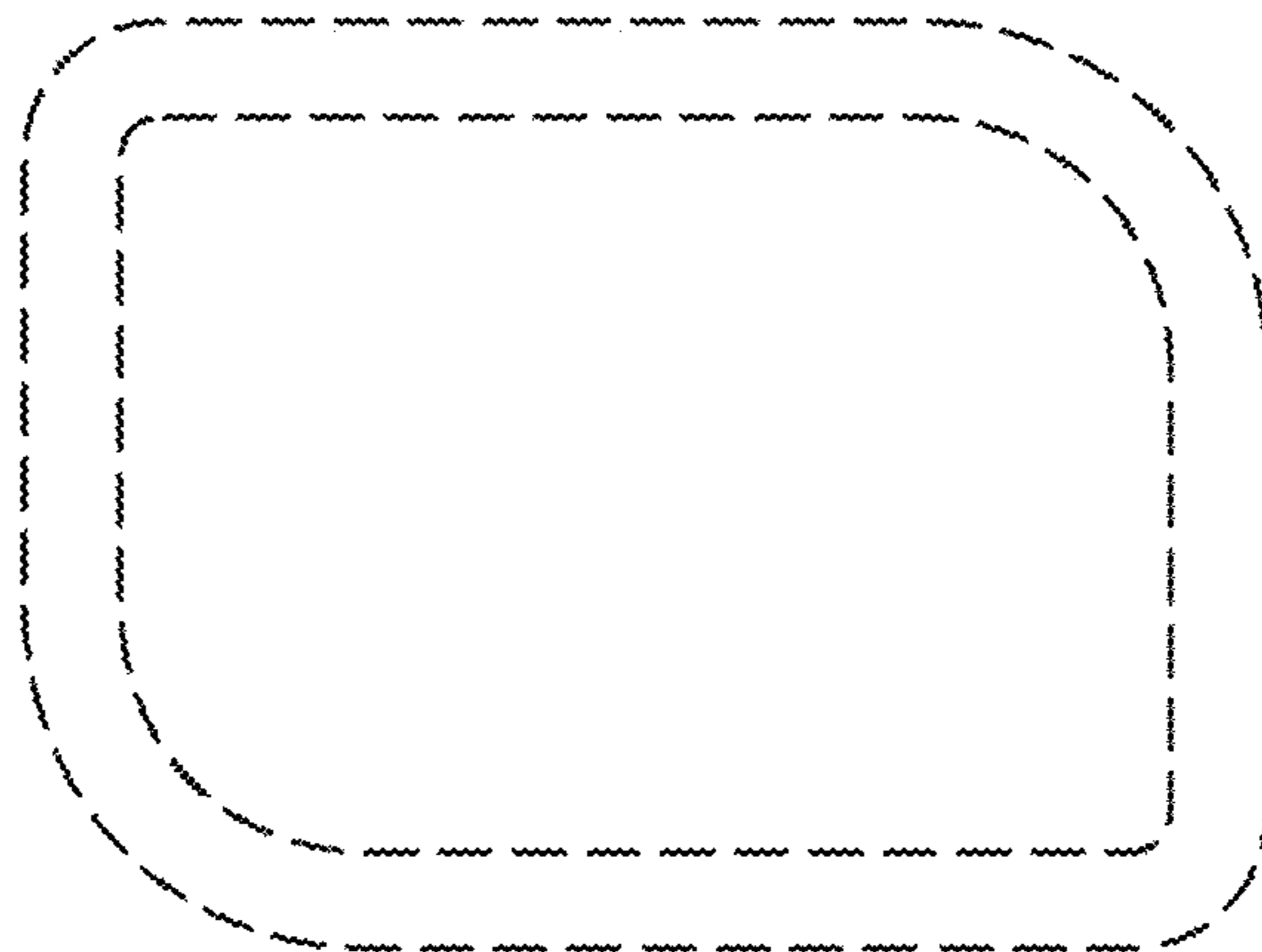


FIG. 7