



US00D913580S

(12) **United States Design Patent**  
**Barenboym**

(10) **Patent No.:** **US D913,580 S**

(45) **Date of Patent:** **\*\* Mar. 16, 2021**

(54) **IMPLEMENT FOR SMOKING TOBACCO,  
CANNABIS AND E-CIGARETTES WITH A  
BUILT-IN FILTER**

(71) Applicant: **Michael Barenboym**, Boston, MA (US)

(72) Inventor: **Michael Barenboym**, Boston, MA (US)

(73) Assignee: **Weedgets Inc.**, Boston, MA (US)

(\*\*) Term: **15 Years**

(21) Appl. No.: **29/682,850**

(22) Filed: **Mar. 8, 2019**

(51) **LOC (13) Cl.** ..... **27-02**

(52) **U.S. Cl.**  
USPC ..... **D27/170**

(58) **Field of Classification Search**  
USPC ..... D27/162, 100, 101, 163–165, 172, 174,  
D27/183, 185–194; D24/110, 110.5;  
D23/366

CPC .... A24F 47/002; A24F 47/006; A24F 47/008;  
A61M 15/00; A61M 15/06

See application file for complete search history.

(56) **References Cited**

**U.S. PATENT DOCUMENTS**

D470,235 S *	2/2003	Kumar	.....	D24/121
D485,639 S *	1/2004	Stronski	.....	D27/170
D542,968 S *	5/2007	Guan	.....	D27/170
D543,312 S *	5/2007	Guan	.....	D27/170

D720,094 S *	12/2014	Alima	.....	D27/101
D776,867 S *	1/2017	Rado	.....	D27/162
D779,722 S *	2/2017	Volodarsky	.....	D27/162
D782,728 S *	3/2017	Pinder	.....	D27/101
D802,839 S *	11/2017	Scott	.....	D27/194
D805,684 S *	12/2017	Thuery	.....	D27/101
D806,941 S *	1/2018	Hawes	.....	D27/101
D825,844 S *	8/2018	Verleur	.....	D27/167
D829,369 S *	9/2018	Stone	.....	D27/101
D869,754 S *	12/2019	Weinberg	.....	D27/170
D882,867 S *	4/2020	Volodarsky	.....	D27/170
D894,478 S *	8/2020	Fornarelli	.....	D27/162

\* cited by examiner

*Primary Examiner* — Marissa J Cash

*Assistant Examiner* — Rebecca Tsehaye

(74) *Attorney, Agent, or Firm* — Boris Leschinsky

(57) **CLAIM**

The ornamental design for an implement for smoking tobacco, cannabis and e-cigarettes with a built-in filter, as shown and described.

**DESCRIPTION**

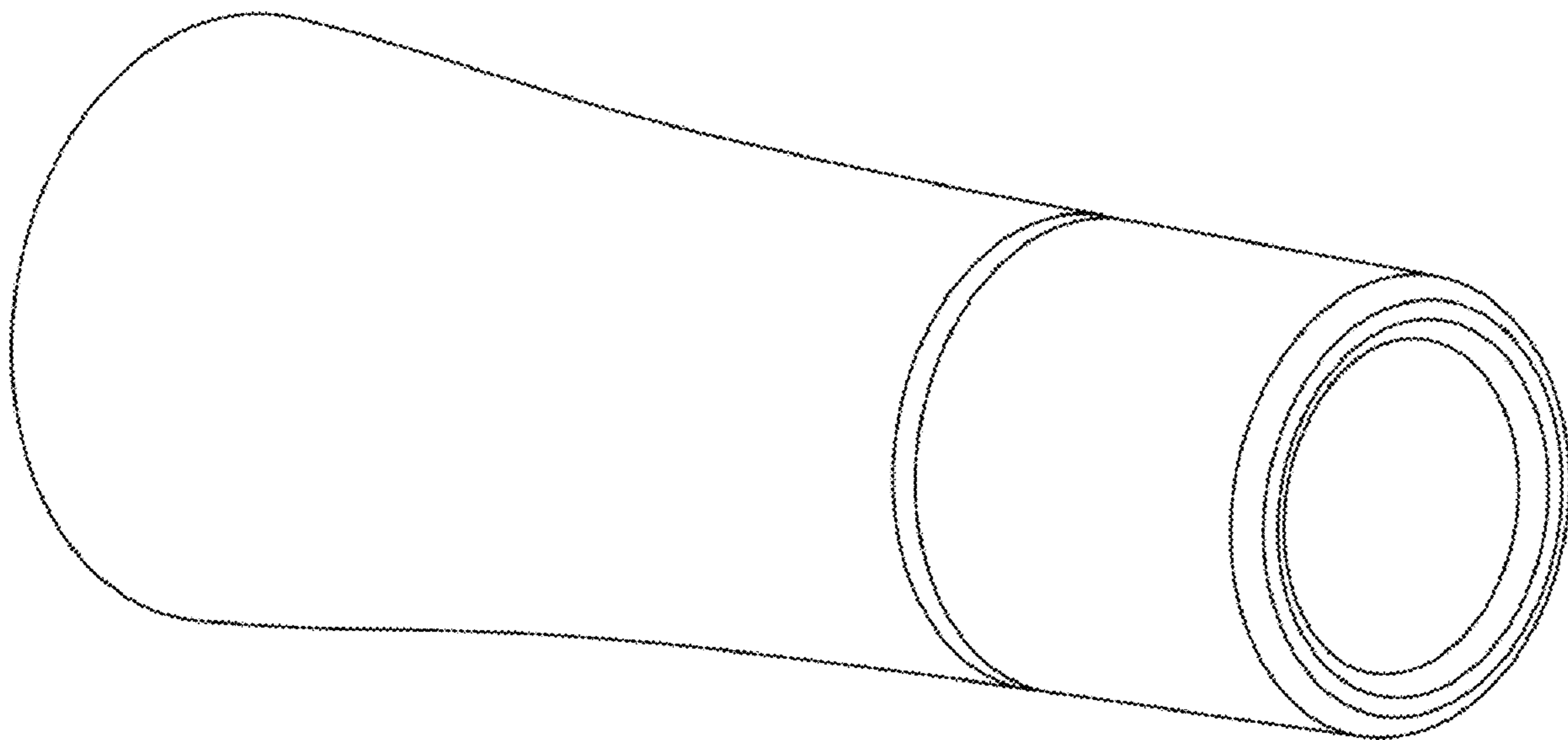
FIG. 1 is a side perspective view of my new implement for smoking tobacco, cannabis and e-cigarettes with a built-in filter;

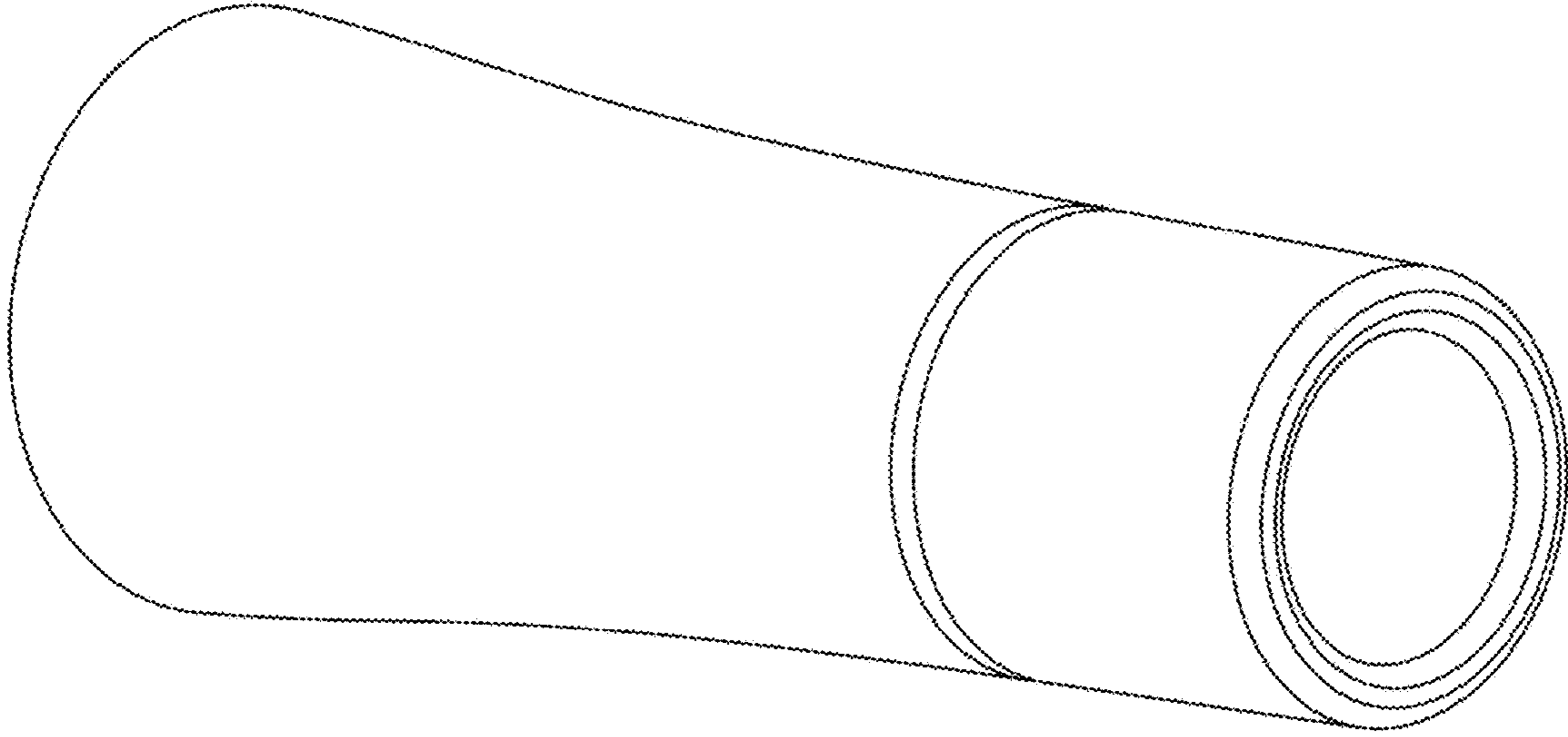
FIG. 2 is a side view of the same;

FIG. 3 is a perspective view of the same from the back; and,

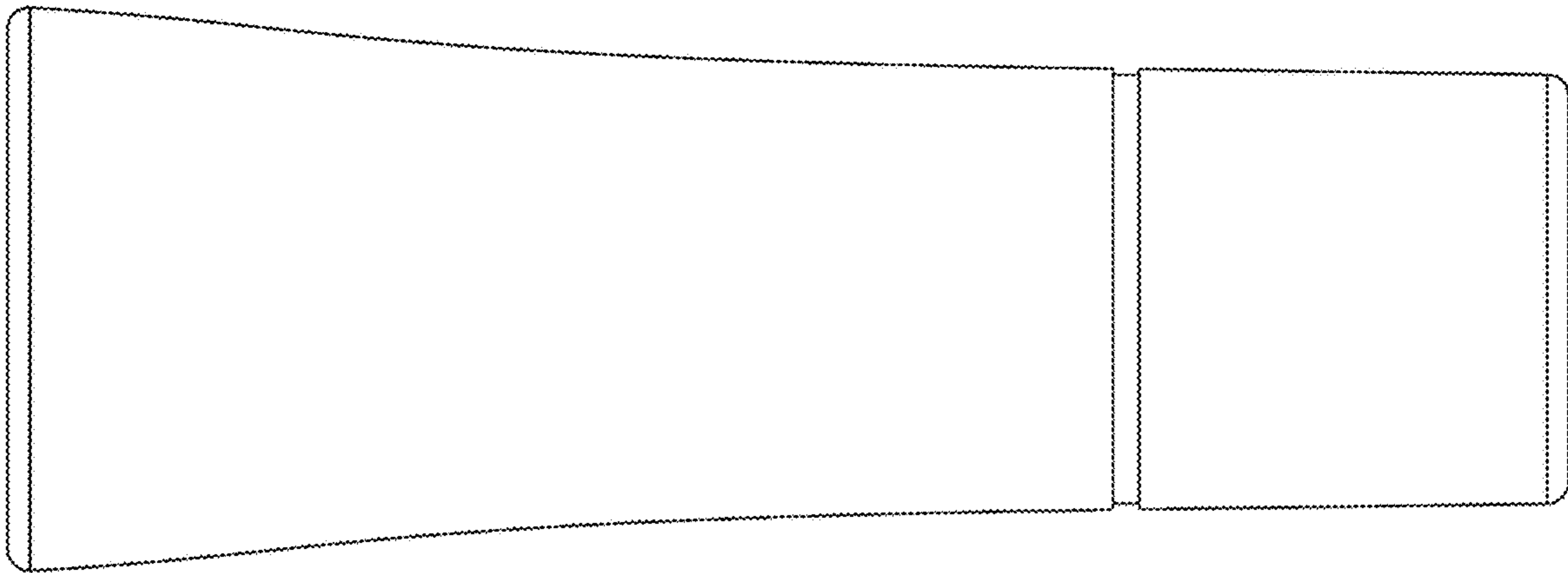
FIG. 4 is a perspective view of the same from the front.

**1 Claim, 2 Drawing Sheets**





**FIG. 1**



**FIG. 2**

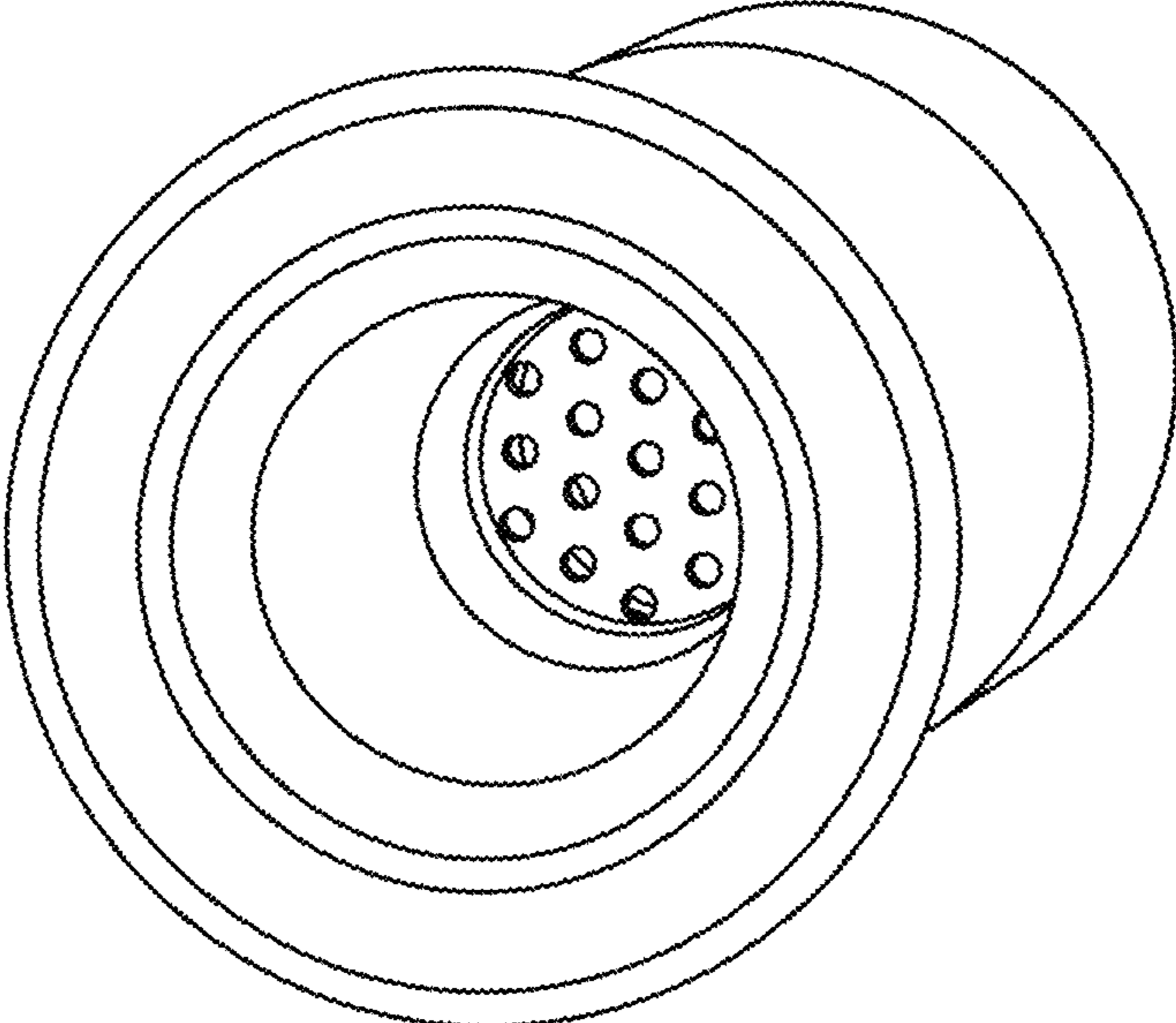


FIG. 3

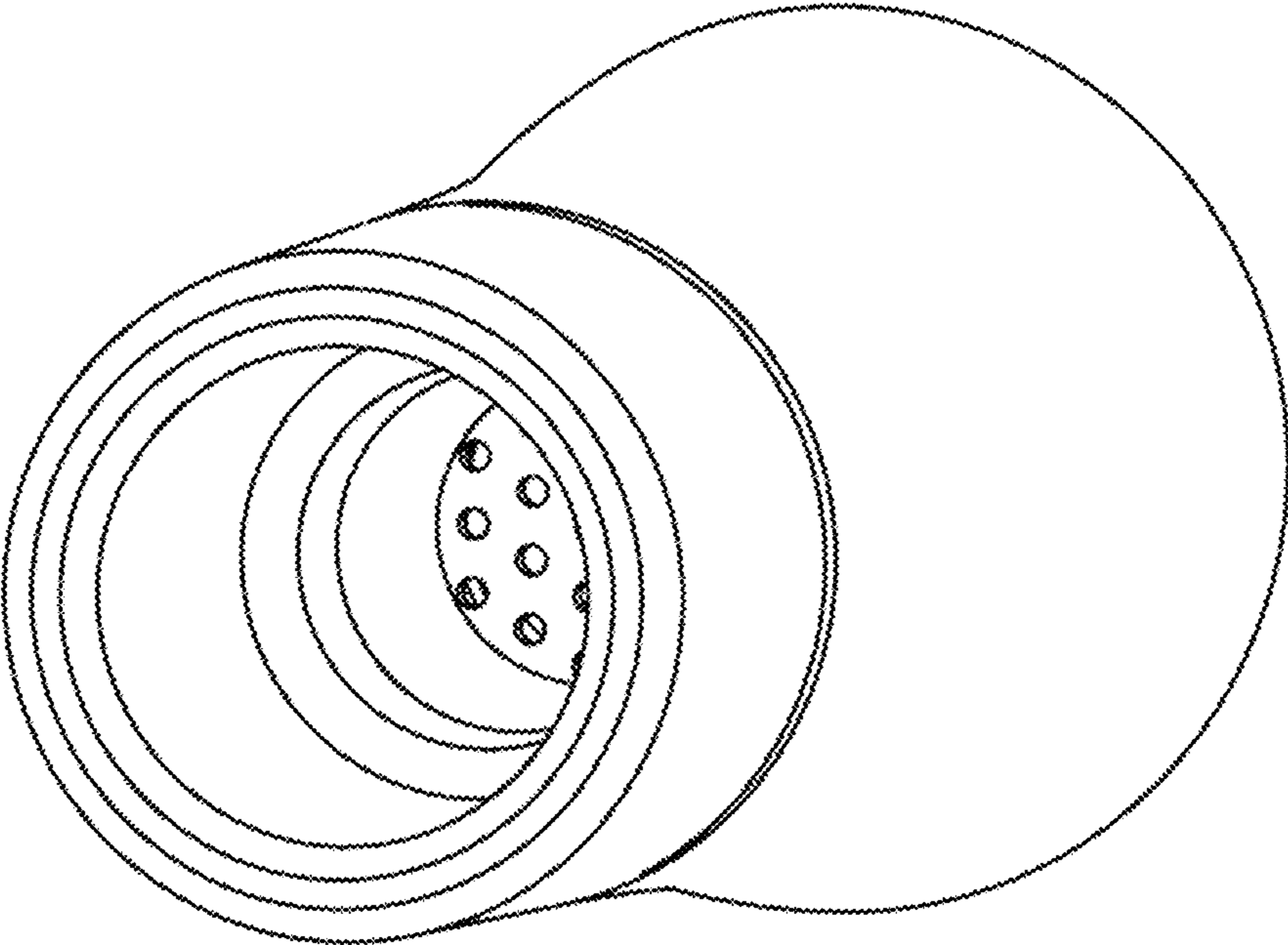


FIG. 4