



US00D913575S

(12) **United States Design Patent**  
**McMath**

(10) **Patent No.:** **US D913,575 S**

(45) **Date of Patent:** **\*\* Mar. 16, 2021**

(54) **PAIR OF VEHICLE LIGHT PROTECTORS**

D571,500 S *	6/2008	Lin	.....	D26/139
D595,895 S *	7/2009	Lamm	.....	D26/139
D604,893 S *	11/2009	Woolley	.....	D26/139
D653,389 S *	1/2012	Xu	.....	D26/139

(71) Applicant: **Robert Roy McMath**, Riverside, CA (US)

(72) Inventor: **Robert Roy McMath**, Riverside, CA (US)

(73) Assignee: **DV8, LLC**, Riverside, CA (US)

(\*\*) Term: **15 Years**

(21) Appl. No.: **29/677,982**

(22) Filed: **Jan. 24, 2019**

(51) **LOC (13) Cl.** ..... **26-99**

(52) **U.S. Cl.**  
USPC ..... **D26/139**

(58) **Field of Classification Search**  
USPC ..... D26/28-36, 139  
CPC ..... F21S 48/00; F21S 48/10; F21S 48/115;  
F21S 48/225; F21S 48/1233; F21S  
48/1266; F21S 48/1388; F21S 48/2268;  
F21V 21/04; F21V 29/004; F21W  
2103/35; F21W 3/40; F21W 2102/17;  
F21W 2102/30; F21W 2103/00; F21W  
2103/55; F21W 2104/00; F21W 2107/13;  
F21W 2107/17; B60Q 9/13; B60Q 9/135;  
B60Q 9/1375

See application file for complete search history.

(56) **References Cited**

**U.S. PATENT DOCUMENTS**

D302,335 S *	7/1989	Smith	.....	D26/139
D421,817 S *	3/2000	Tucker	.....	D26/139

\* cited by examiner

*Primary Examiner* — Marcus A Jackson

(74) *Attorney, Agent, or Firm* — Honigman LLP

(57) **CLAIM**

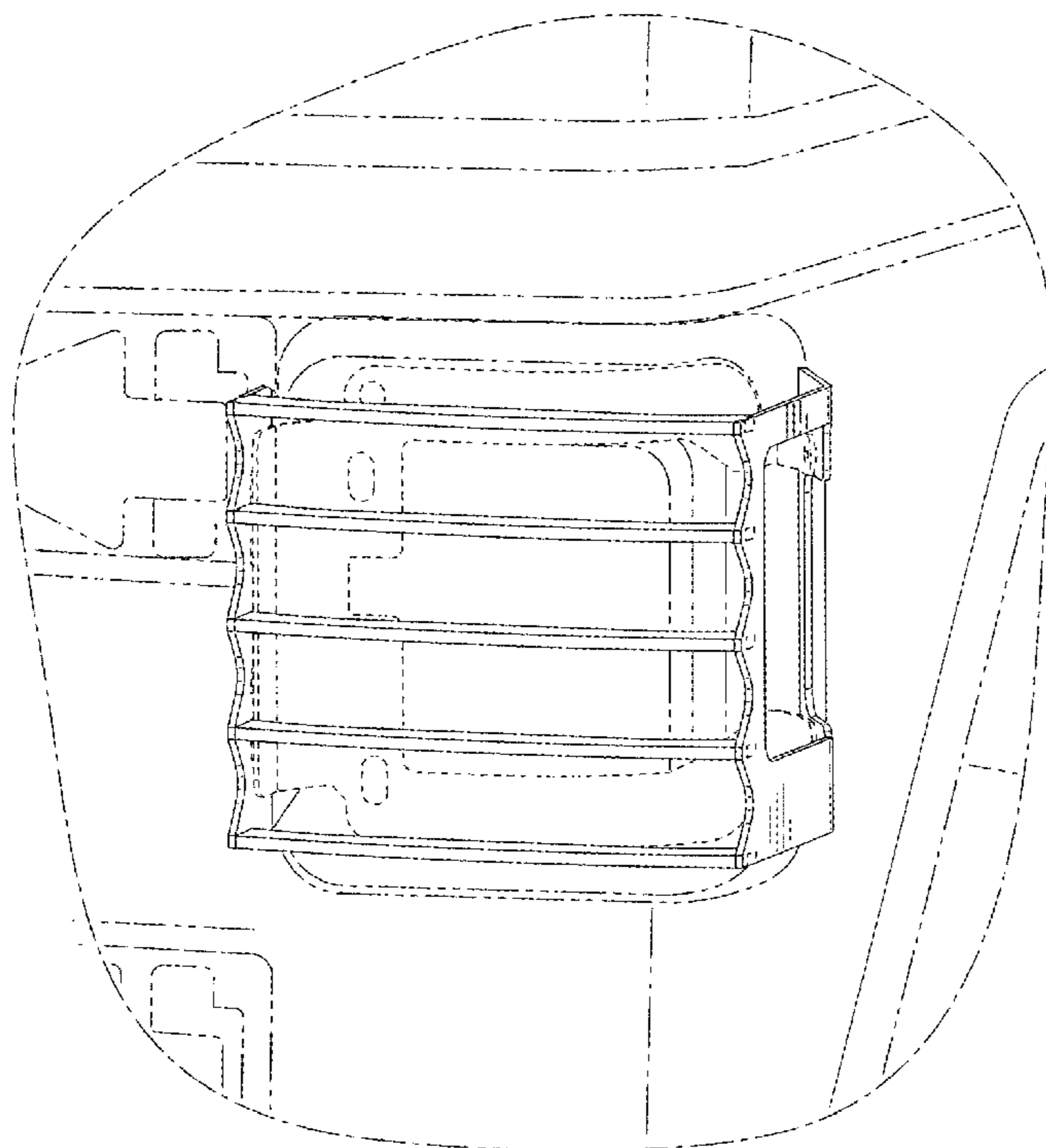
The ornamental design for a pair of vehicle light protectors, as shown and described.

**DESCRIPTION**

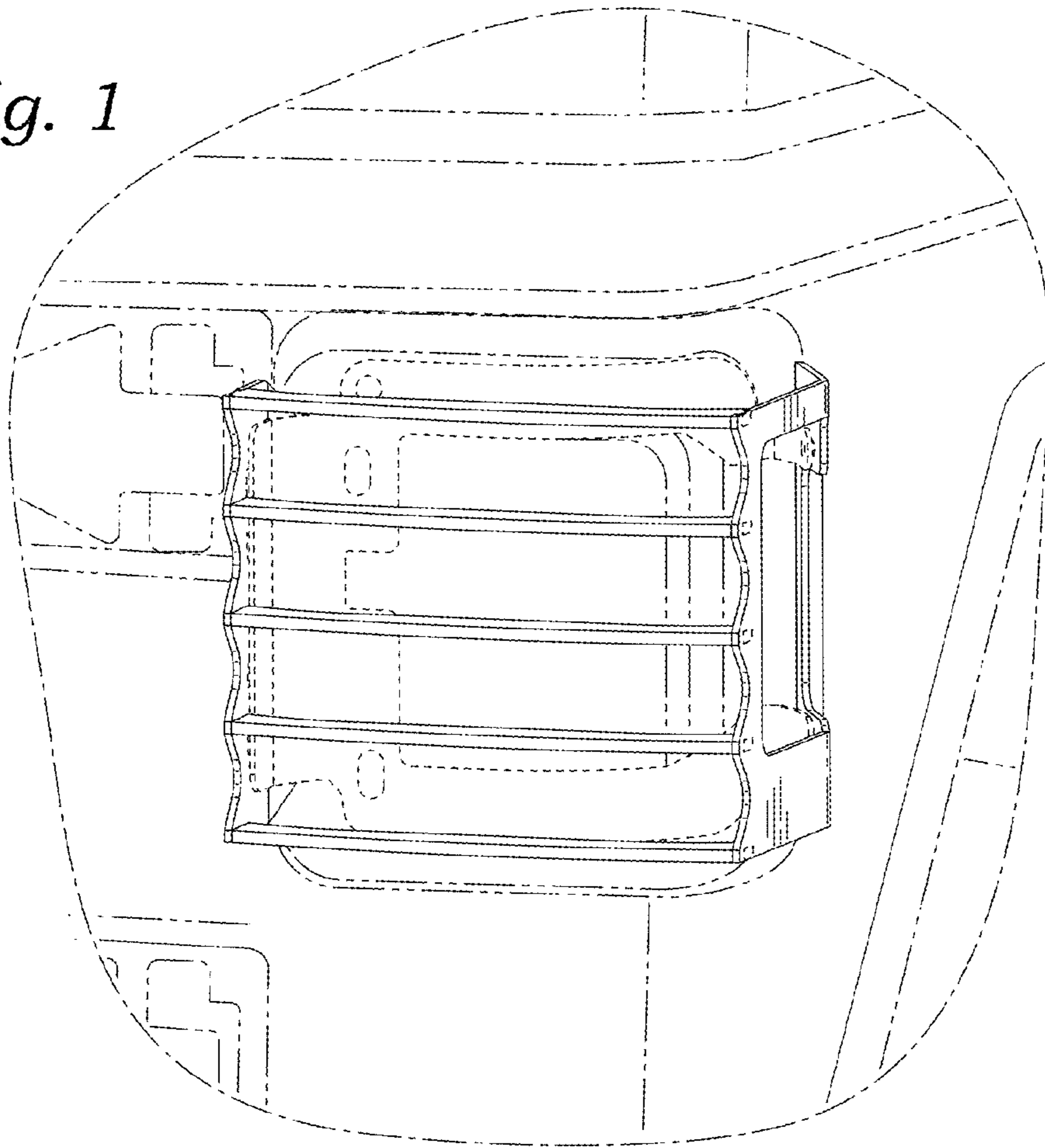
FIG. 1 is a front side perspective view of a pair of vehicle light protectors, in use condition showing my new design; FIG. 2 is a top plan view thereof; FIG. 3 is a bottom plan view thereof; FIG. 4 is a right side elevation view thereof; FIG. 5 is a left side elevation view thereof; FIG. 6 is a front elevation view thereof; and, FIG. 7 is a rear elevation view thereof.

The dash-dash even broken lines illustrate and surround portions of the pair of vehicle light protectors that form no part of the claimed design. The dash-dot-dot broken lines shown in the drawings illustrate vehicle environmental subject matter which forms no part of the claimed design.

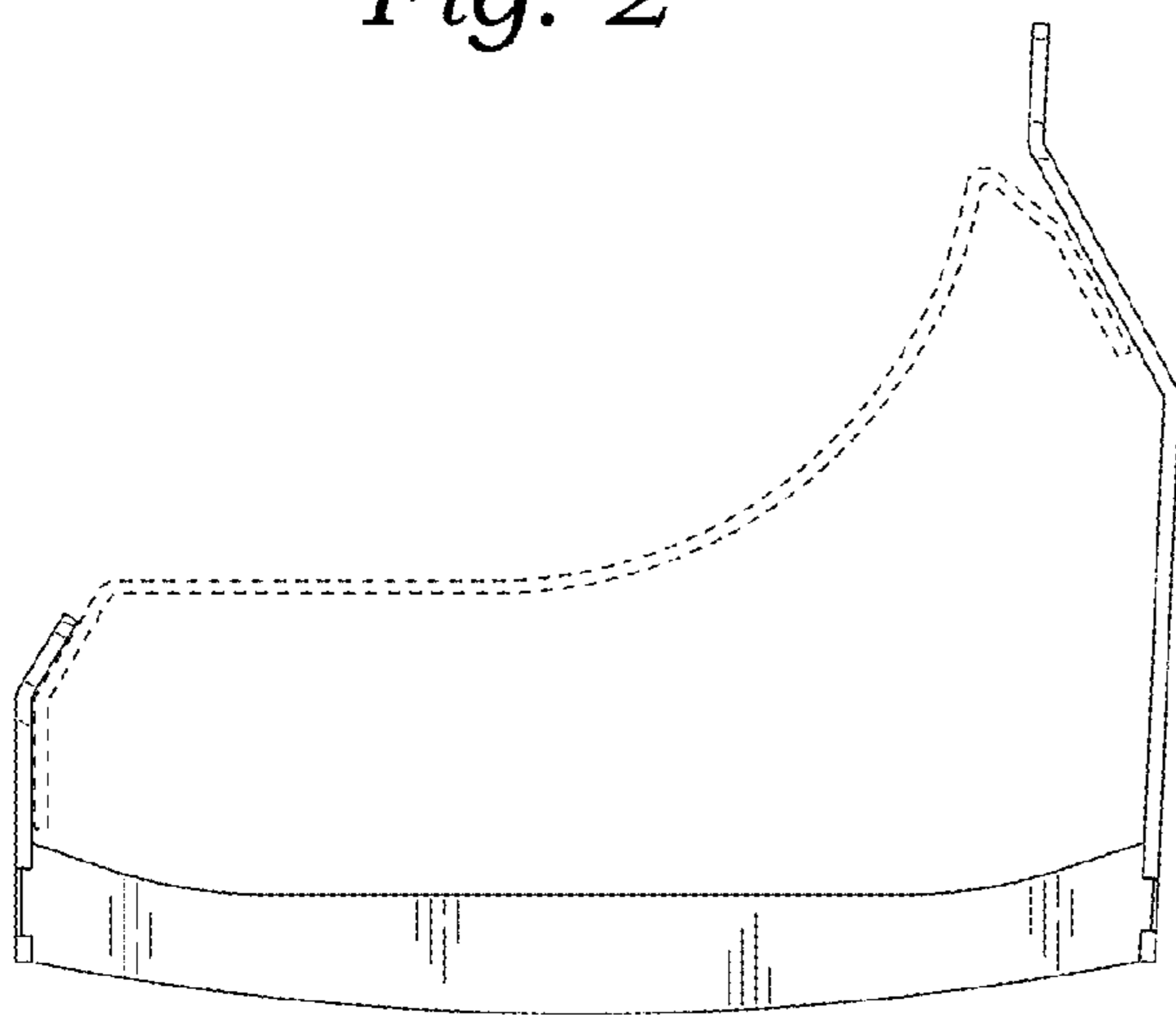
**1 Claim, 3 Drawing Sheets**



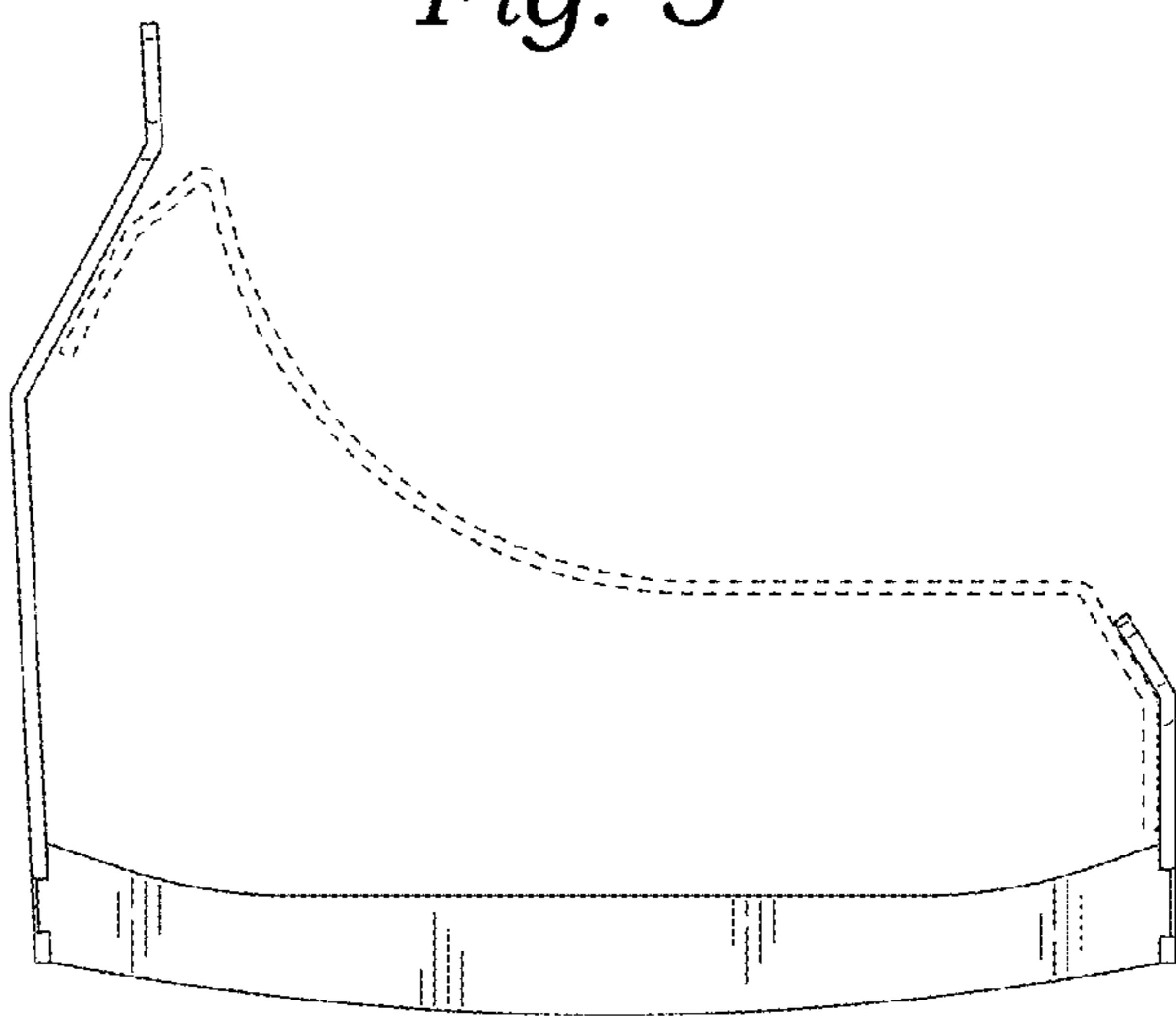
*Fig. 1*



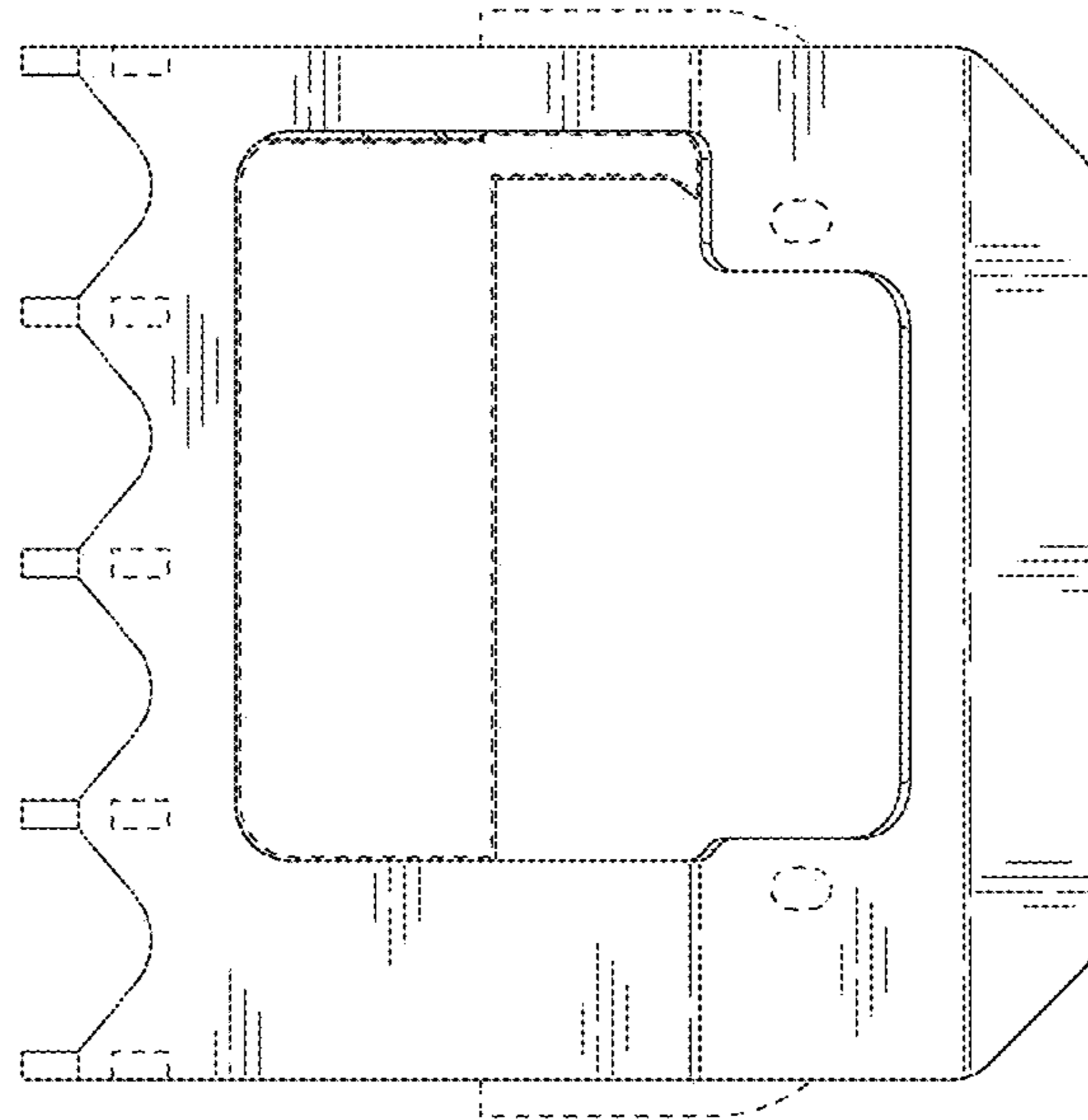
*Fig. 2*



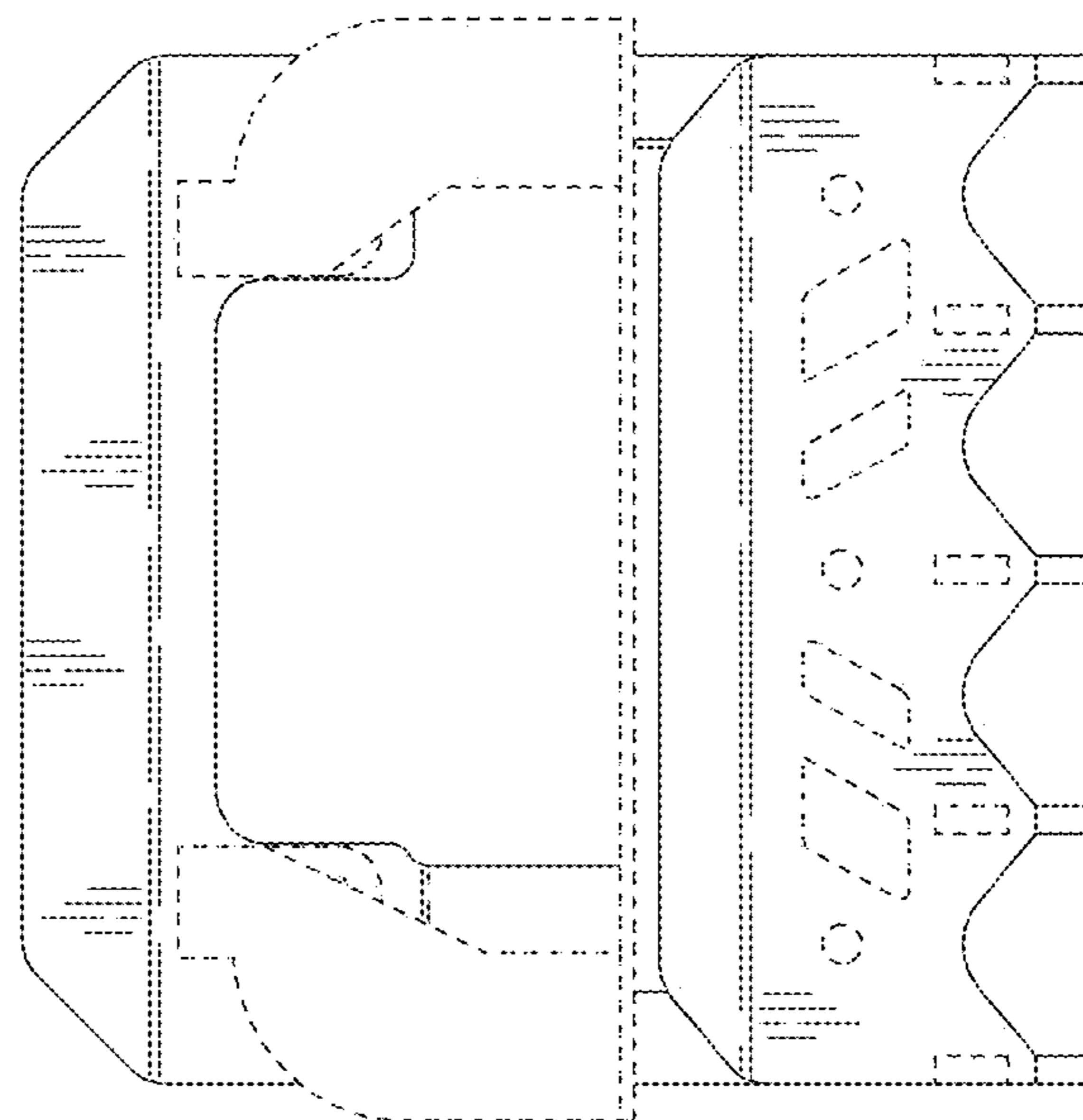
*Fig. 3*



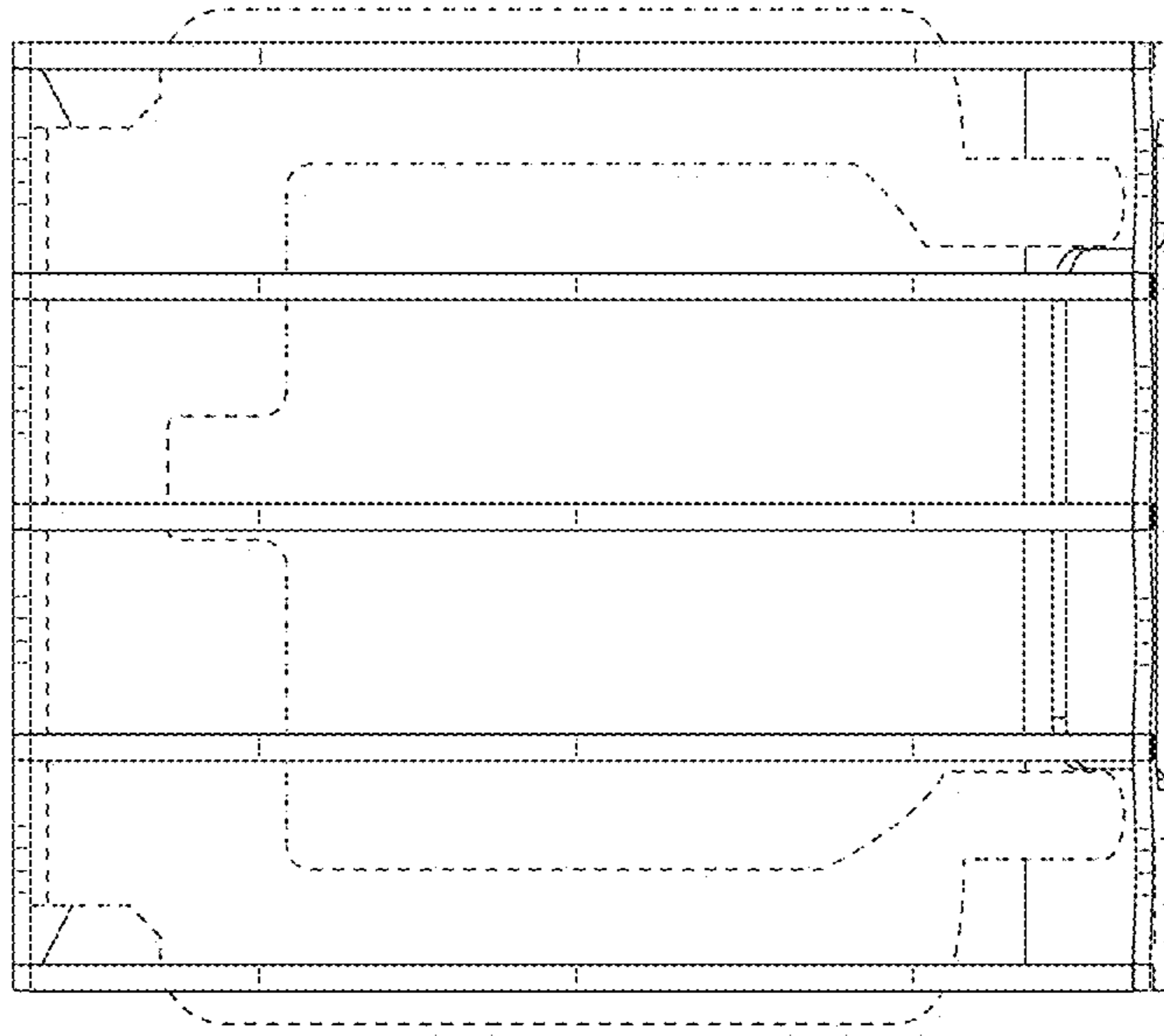
*Fig. 5*



*Fig. 4*



*Fig. 6*



*Fig. 7*

