



US00D913573S

(12) **United States Design Patent**
Hendifar et al.

(10) **Patent No.:** **US D913,573 S**
(45) **Date of Patent:** **** Mar. 16, 2021**

(54) **LAMP**

(71) Applicant: **APPARATUS, LLC**, New York, NY
(US)

(72) Inventors: **Gabriel Hendifar**, New York, NY
(US); **Jeremy R. Anderson**, New York,
NY (US)

(73) Assignee: **APPARATUS LLC**, New York, NY
(US)

(**) Term: **15 Years**

(21) Appl. No.: **29/705,798**

(22) Filed: **Sep. 16, 2019**

(51) **LOC (13) Cl.** **26-03**

(52) **U.S. Cl.**
USPC **D26/107**

(58) **Field of Classification Search**
USPC D26/104, 107, 110
CPC .. F21S 6/00; F21S 6/002; F21V 21/02; F21V
21/116; F21W 2121/00; F21W 2131/30
See application file for complete search history.

(56) **References Cited**

U.S. PATENT DOCUMENTS

D369,424 S *	4/1996	Swanson	D26/102
D420,758 S *	2/2000	Yang	D26/106
D429,535 S *	8/2000	Swanson	D26/107
D787,108 S	5/2017	Hendifar et al.		
D799,736 S	10/2017	Hendifar et al.		

OTHER PUBLICATIONS

Apparatus LLC 2015 Catalog; Cylinder; apparatusstudio.com; New York, NY.

* cited by examiner

Primary Examiner — Brian N. Vinson
(74) *Attorney, Agent, or Firm* — Gottlieb, Rackman & Reisman, P.C.

(57) **CLAIM**

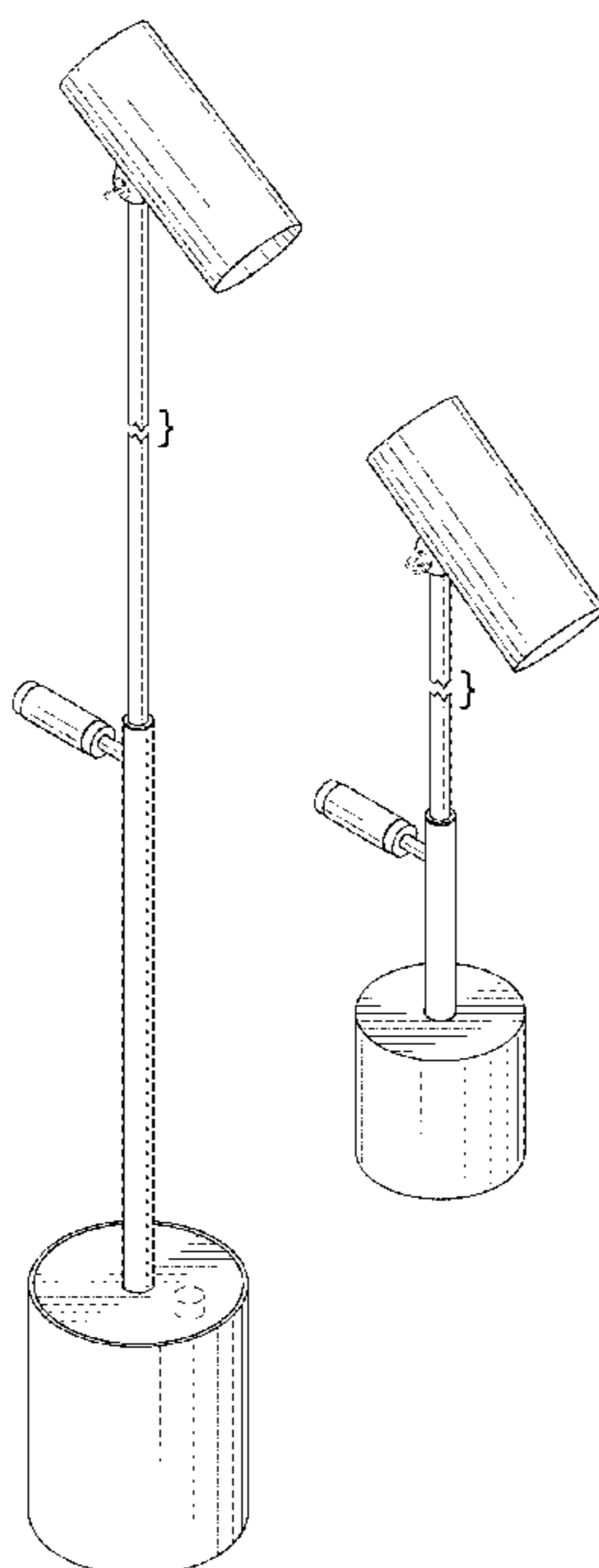
The ornamental design for a lamp, as shown and described.

DESCRIPTION

FIG. 1 is a top perspective view showing our new design; FIG. 2 is a bottom perspective view thereof; FIG. 3 is a front elevational view thereof; FIG. 4 is a rear elevational view thereof; FIG. 5 is a left side elevational view thereof; FIG. 6 is a right side elevational view thereof; FIG. 7 is a top plan view thereof; FIG. 8 is a bottom plan view thereof; FIG. 9 is a top perspective view of a second embodiment of the new design; FIG. 10 is a bottom perspective view thereof; FIG. 11 is a front elevational view thereof; FIG. 12 is a rear elevational view thereof; FIG. 13 is a left side elevational view thereof; FIG. 14 is a right side elevational view thereof; FIG. 15 is a top plan view thereof; and, FIG. 16 is a bottom plan view thereof.

The break lines in FIGS. 1-6 and 9-14 are to indicate that the appearance of any portion of the lamp between the break lines forms no part of the claimed design, and the broken line disclosure of portions of the lamp also form no part of the claimed design.

1 Claim, 14 Drawing Sheets



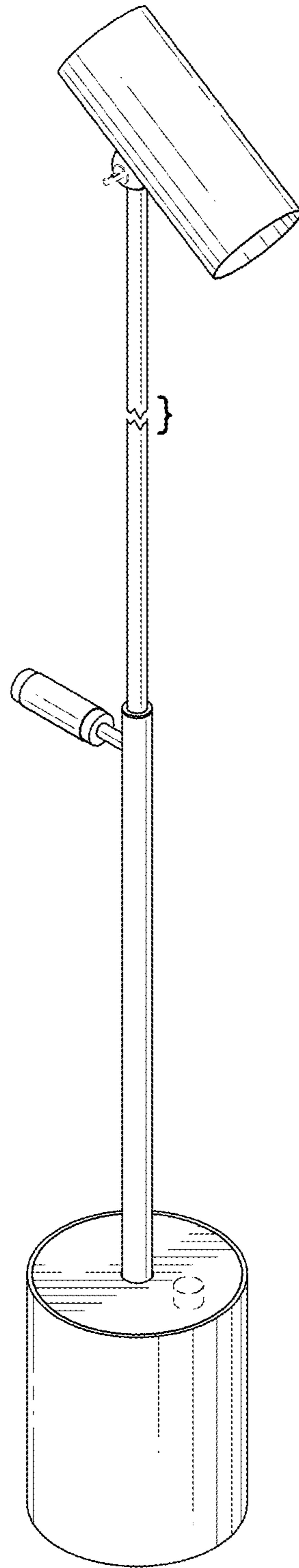


FIG. 1

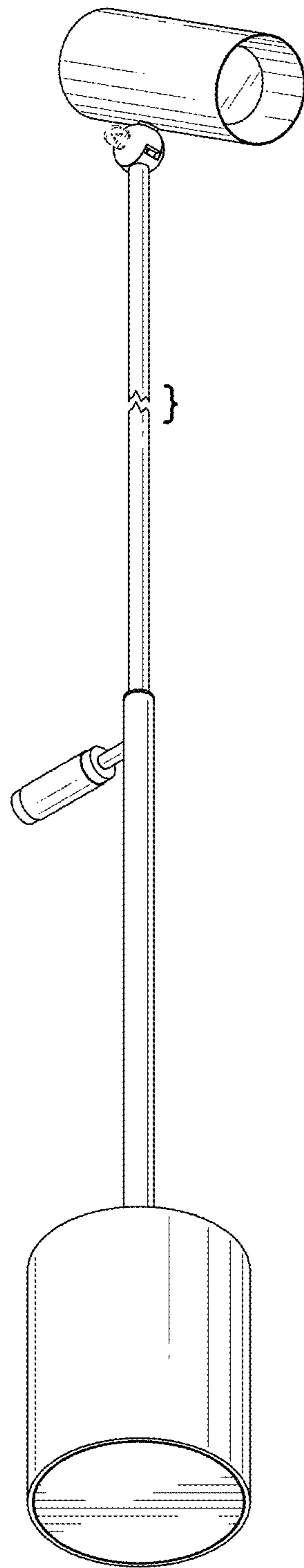


FIG. 2

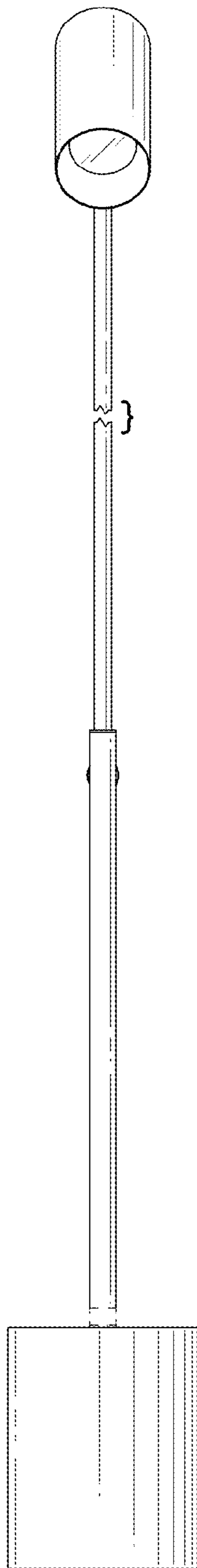


FIG.3

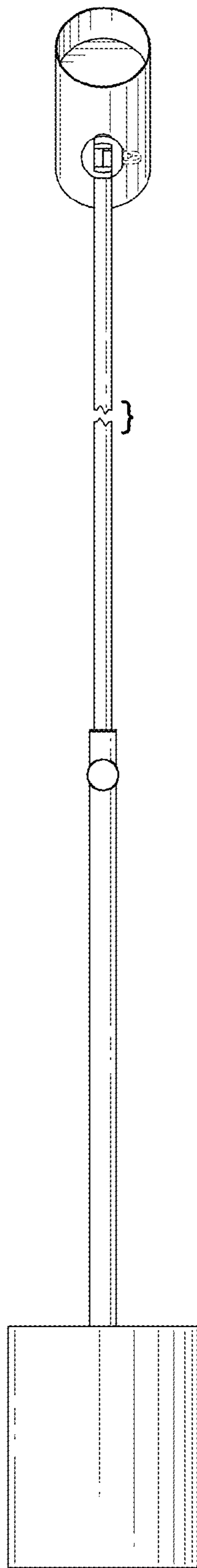


FIG.4

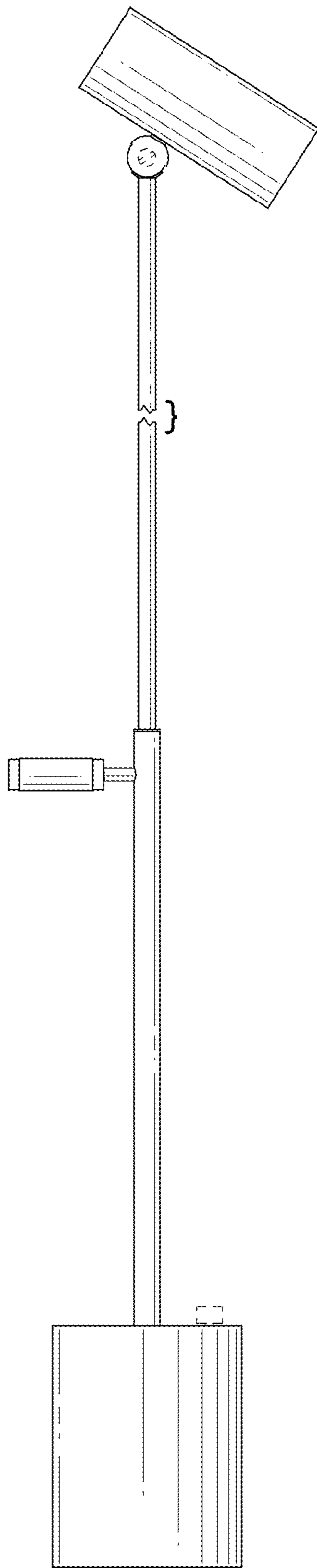


FIG. 5

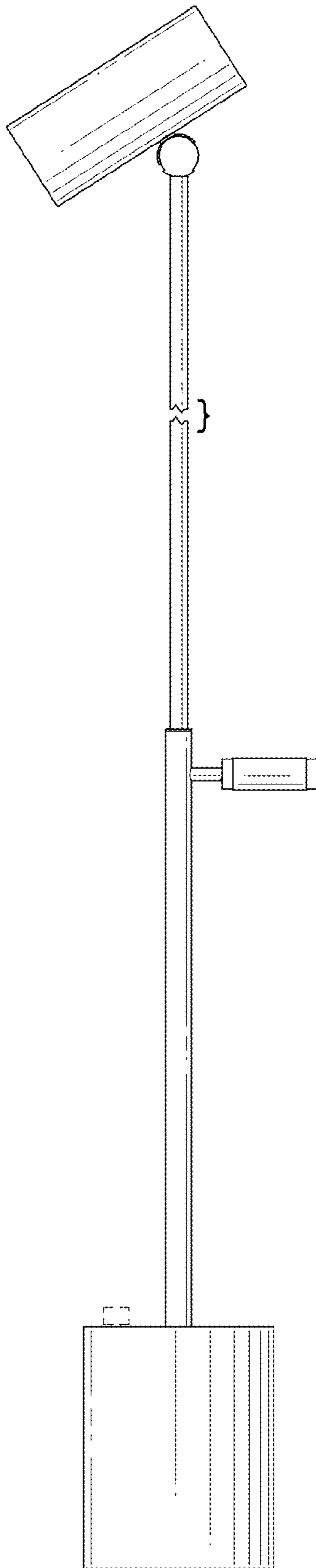


FIG.6

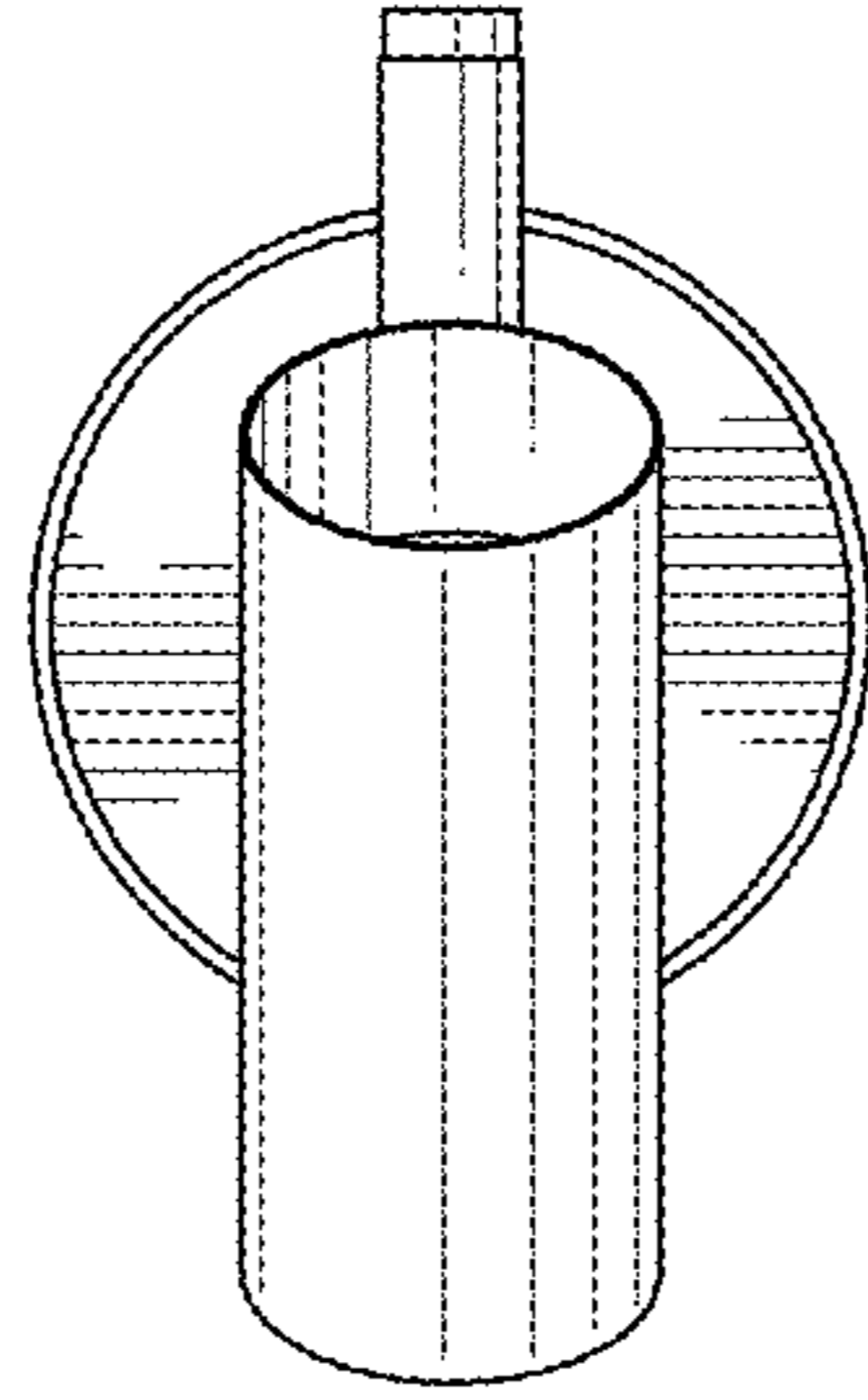


FIG. 7

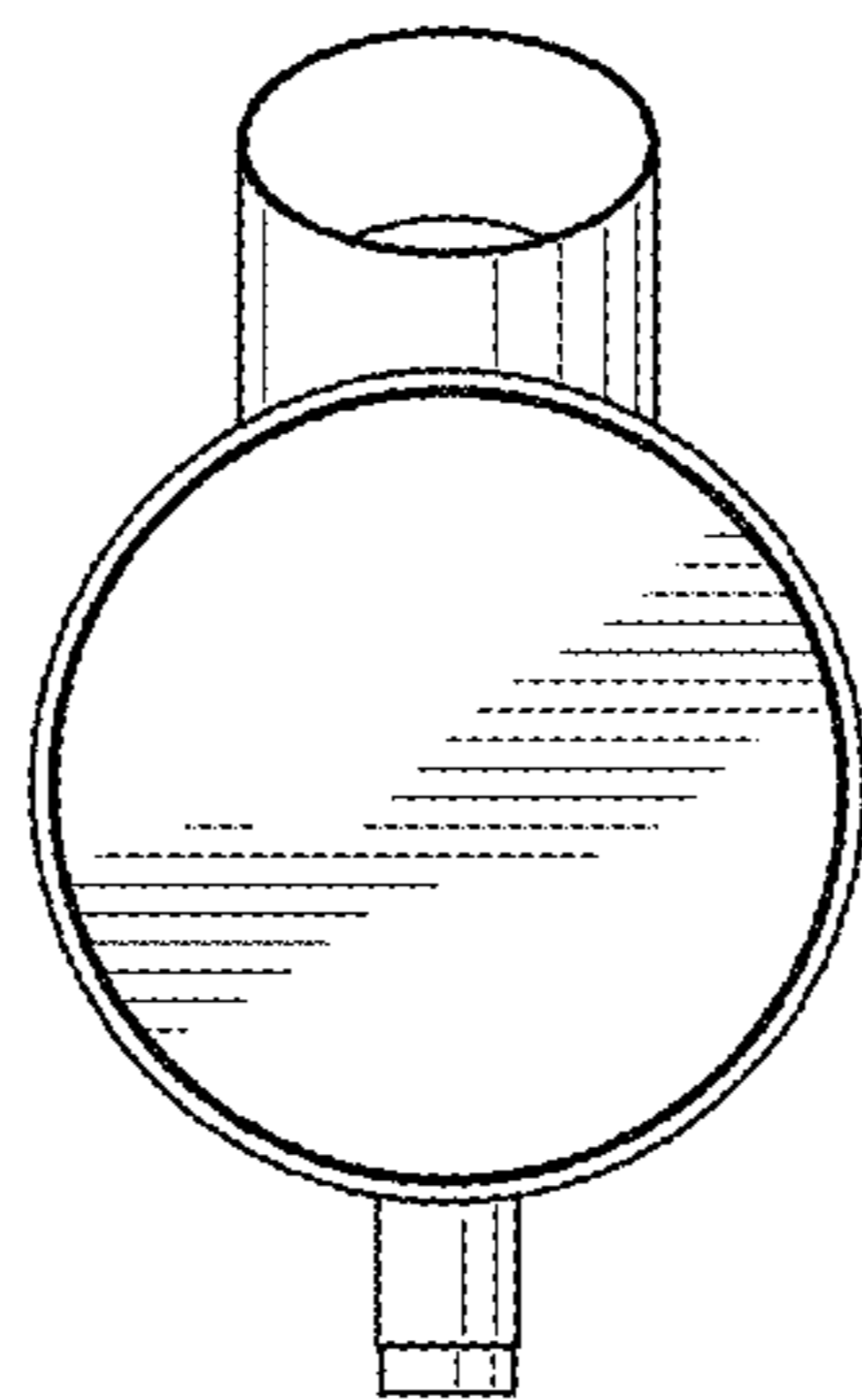


FIG. 8

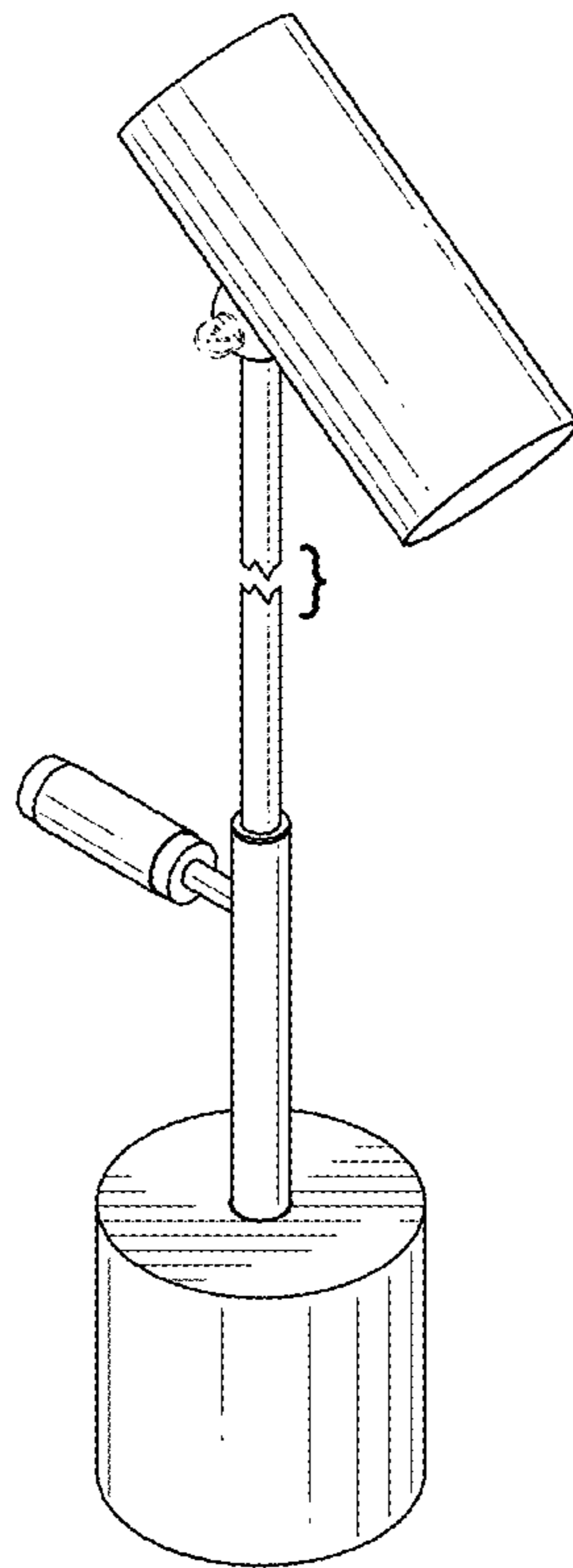


FIG. 9

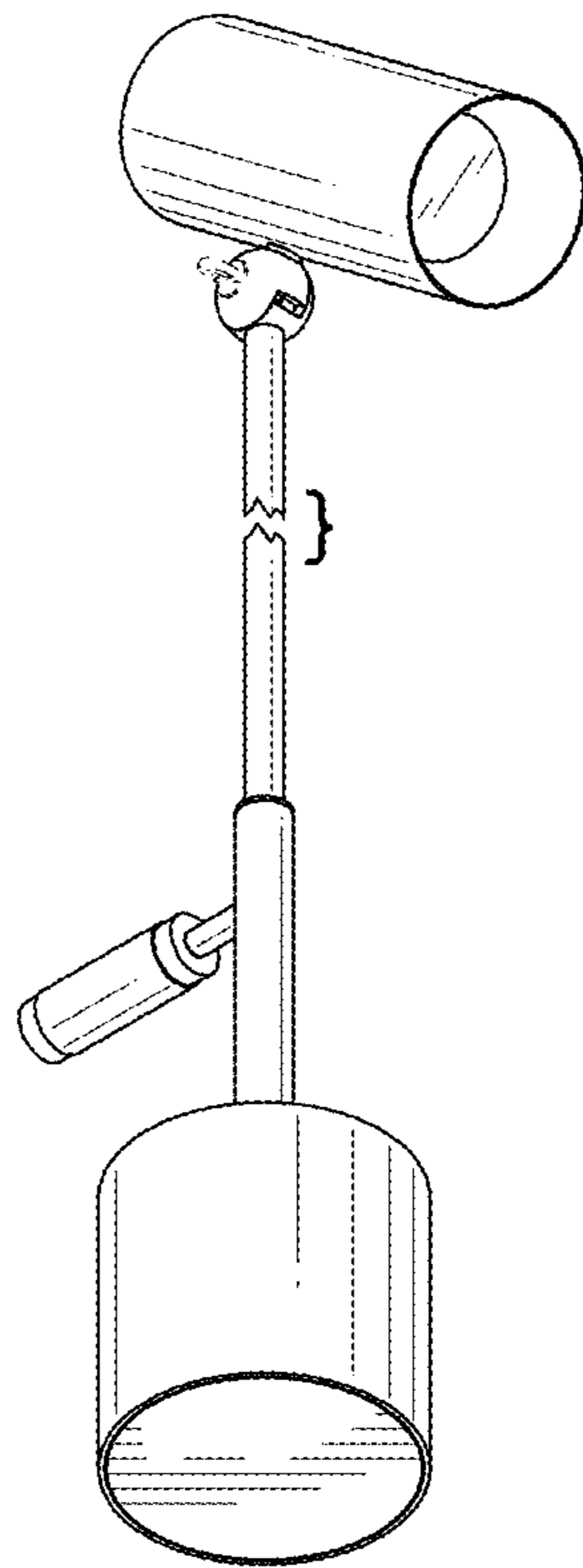


FIG. 10

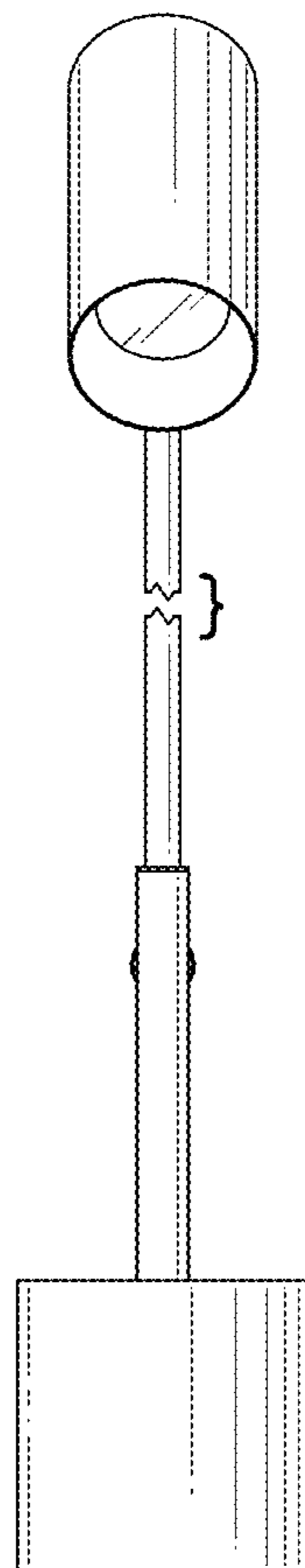


FIG. 11

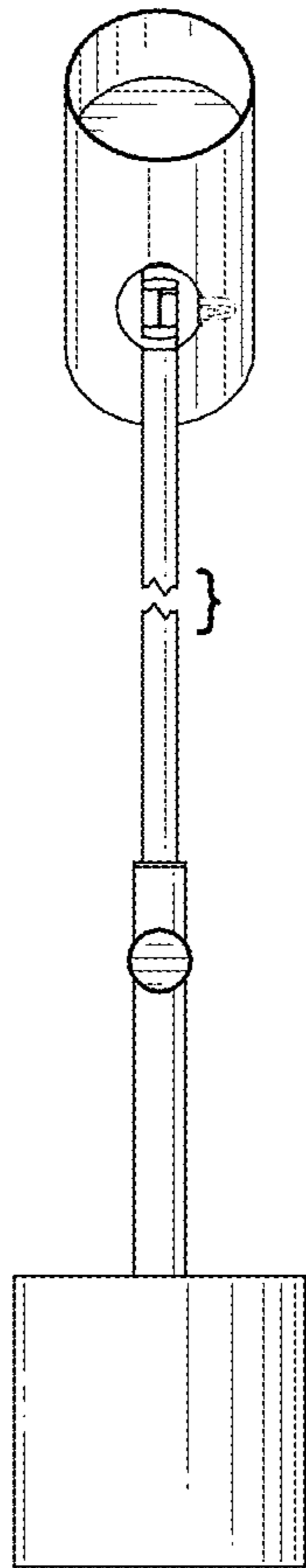


FIG. 12

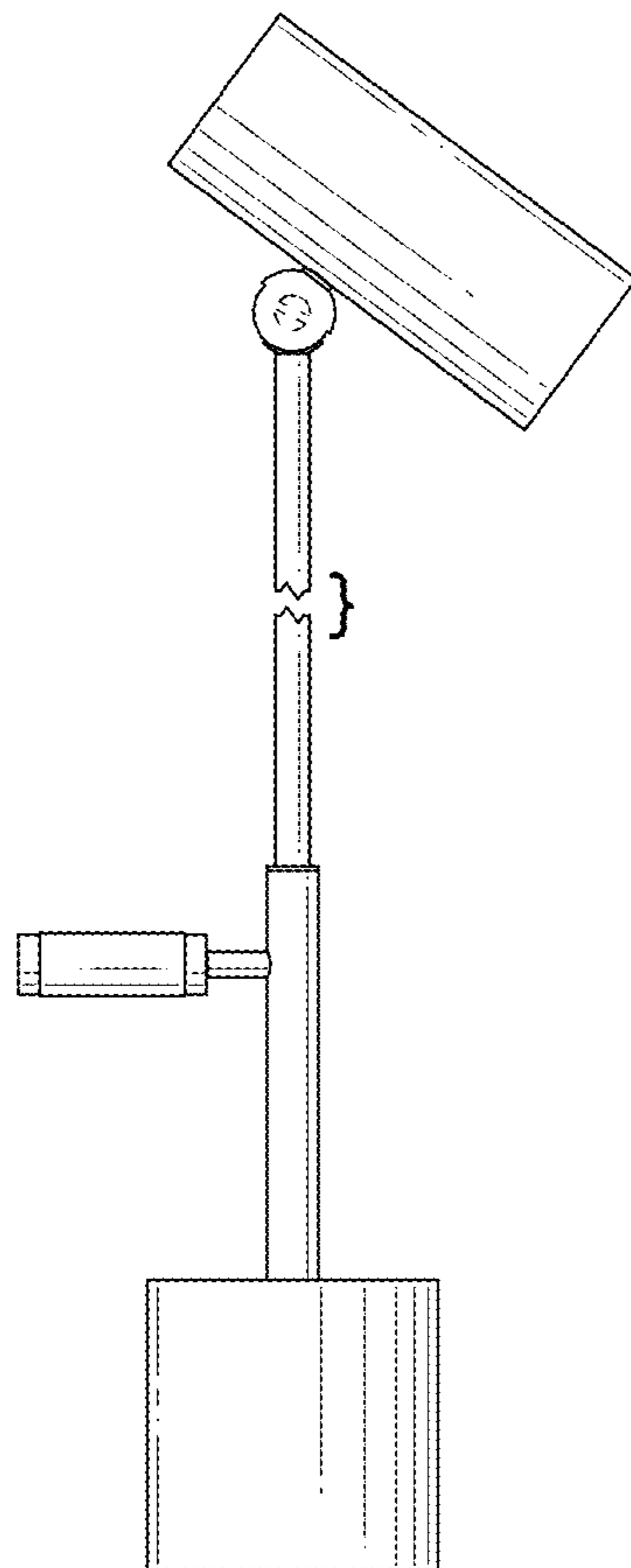


FIG. 13

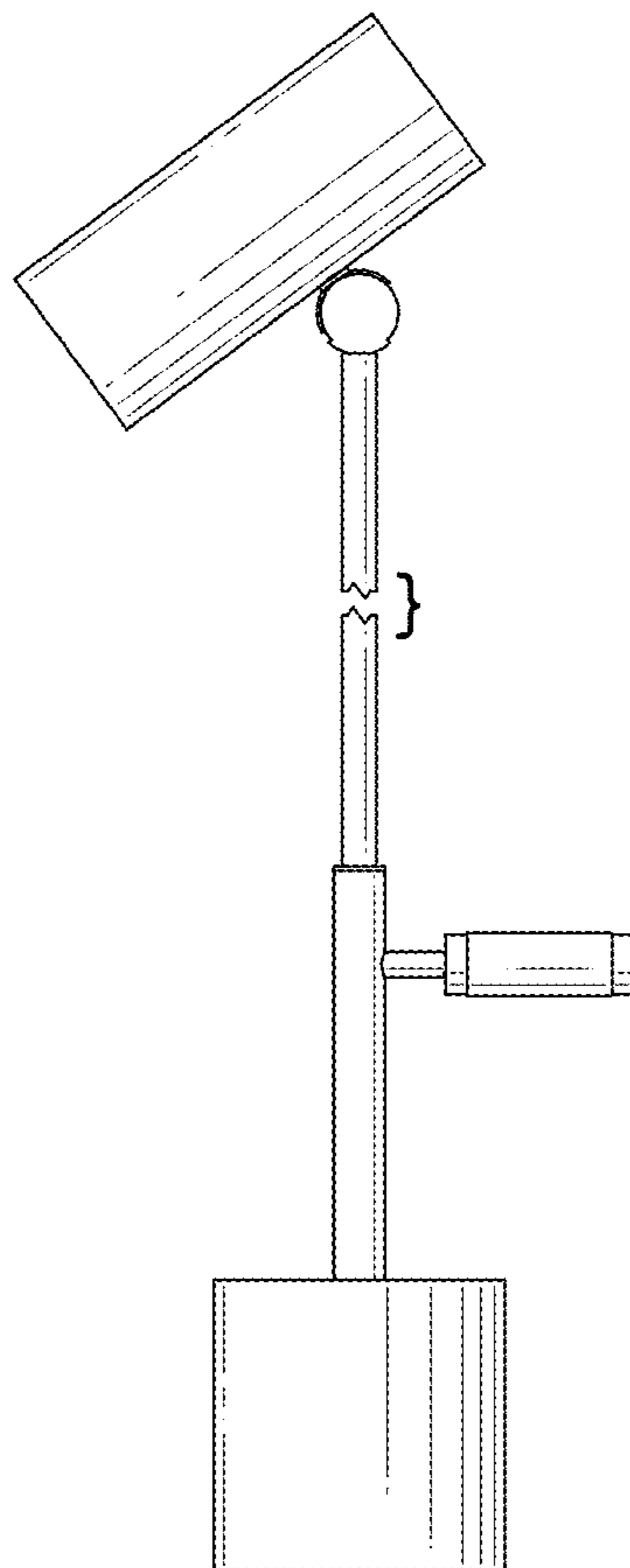


FIG. 14

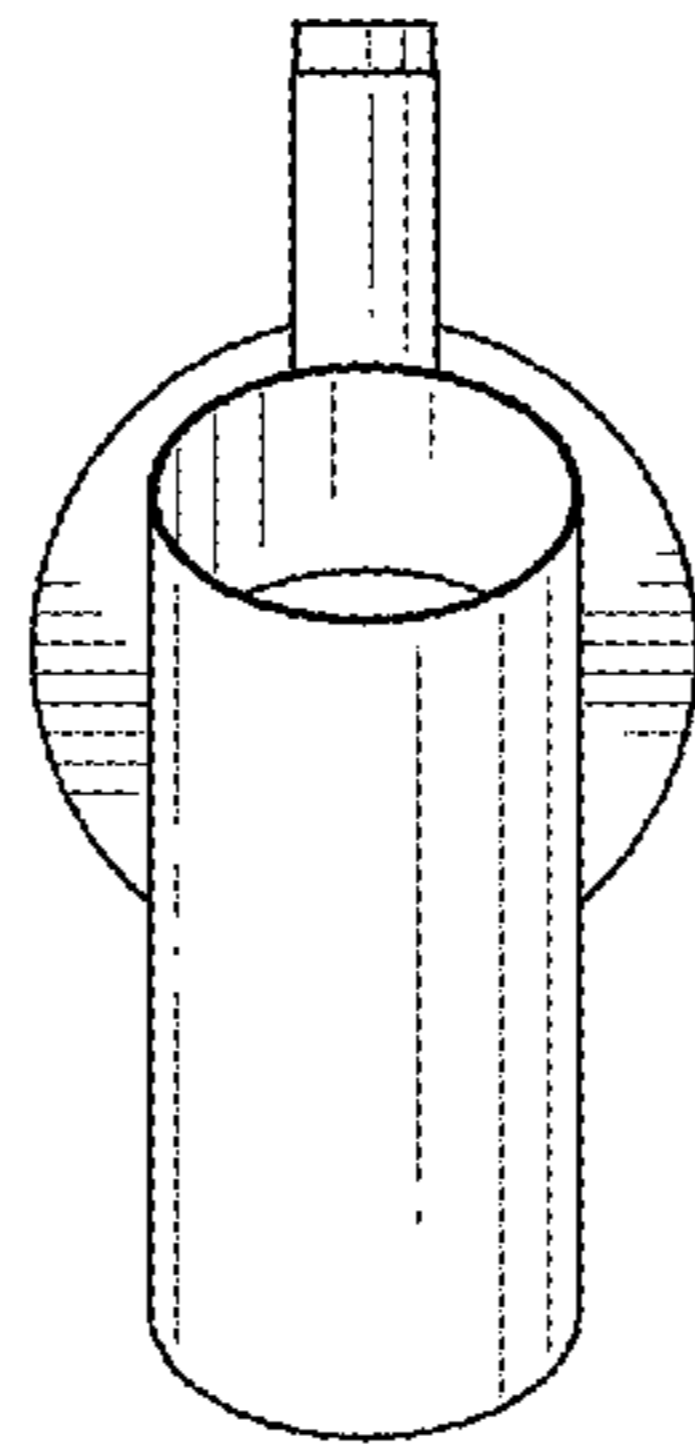


FIG. 15

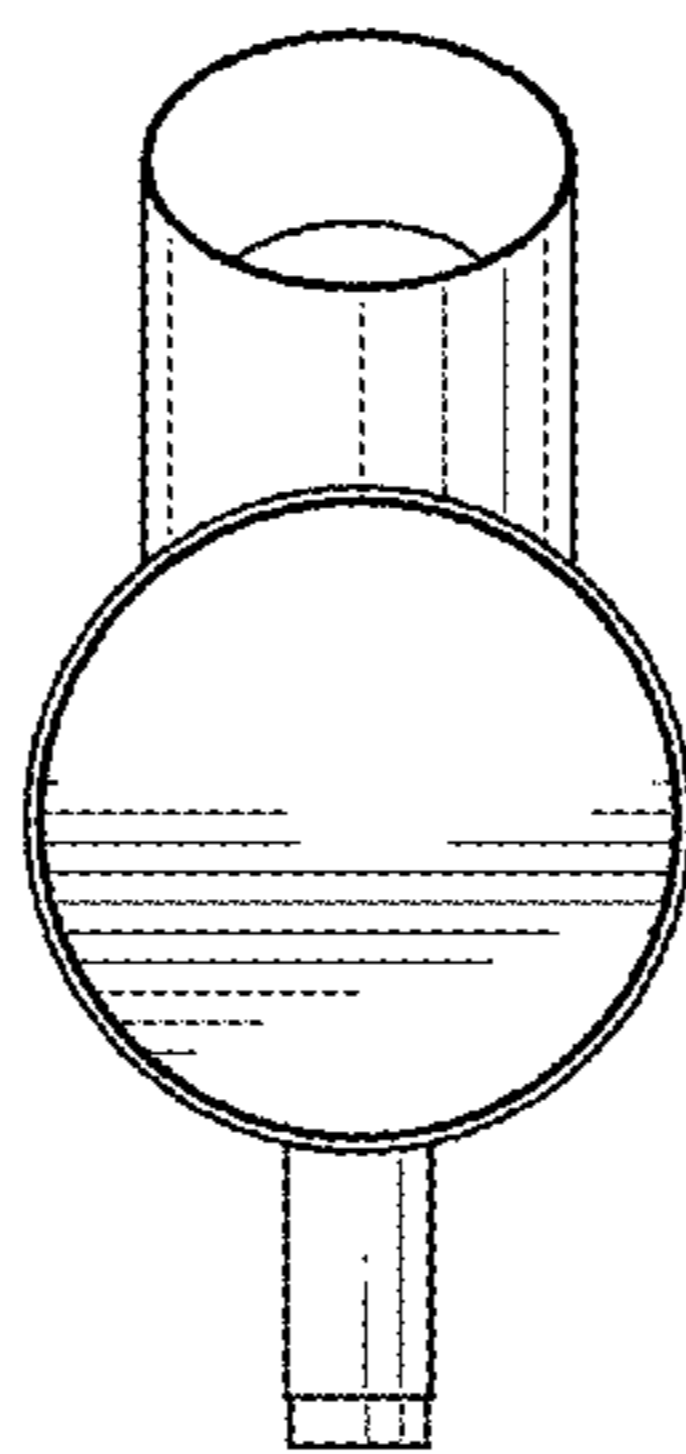


FIG. 16