



US00D913569S

(12) **United States Design Patent** (10) **Patent No.:** **US D913,569 S**
Arola (45) **Date of Patent:** **** Mar. 16, 2021**

(54) **LAMP**
(71) Applicant: **SANTA & COLE NEOSERIES S.L.**,
La Roca del Vallès (ES)
(72) Inventor: **Antoni Arola**, Barcelona (ES)
(73) Assignee: **SANTA & COLE NEOSERIES S.L.**,
La Roca del Vallès (ES)

D213,464 S * 3/1969 Meyer D26/89
D259,517 S * 6/1981 Dobrowski D26/56
D402,390 S * 12/1998 Smedley D26/87
D422,109 S * 3/2000 Littman F21V 17/02
D26/87
D592,282 S * 5/2009 Ross D23/252
D609,389 S * 2/2010 Sabernig D26/87
D636,513 S * 4/2011 Furtsch D26/51
D690,457 S * 9/2013 Lu D26/118
D776,316 S * 1/2017 Kim D26/51
D863,644 S * 10/2019 Gibson D26/71

(**) Term: **15 Years**

(21) Appl. No.: **35/507,686**

(22) Filed: **Apr. 4, 2019**

(80) **Hague Agreement Data**

Int. Filing Date: **Apr. 4, 2019**
Int. Reg. No.: **DM/203702**
Int. Reg. Date: **Apr. 4, 2019**
Int. Reg. Pub. Date: **Nov. 8, 2019**

(51) **LOC (13) Cl.** **26-05**

(52) **U.S. Cl.**
USPC **D26/88**

(58) **Field of Classification Search**
USPC D16/237, 241, 250; D26/51, 56, 71, 72,
D26/85, 87, 88, 89, 92
CPC .. F21S 8/033; F21S 8/036; F21S 8/085; F21S
8/086; F21V 21/30; F21W 2111/02
See application file for complete search history.

(56) **References Cited**

U.S. PATENT DOCUMENTS

1,071,725 A * 9/1913 Franks F21V 17/02
362/282
D85,668 S * 12/1931 Schurmann D6/308
D176,750 S * 1/1956 Brozyna D6/308

OTHER PUBLICATIONS

Two screenshots. Estudi Antoni Arola Family of Lampshades.
Dated 2019; one page. Found online Aug. 5, 2020 at <http://www.estudiantoniarola.com/en/entry/bijou> (Year: 2019).*

* cited by examiner

Primary Examiner — Robert M. Spear
(74) *Attorney, Agent, or Firm* — McCormick, Paulding &
Huber PLLC

(57) **CLAIM**

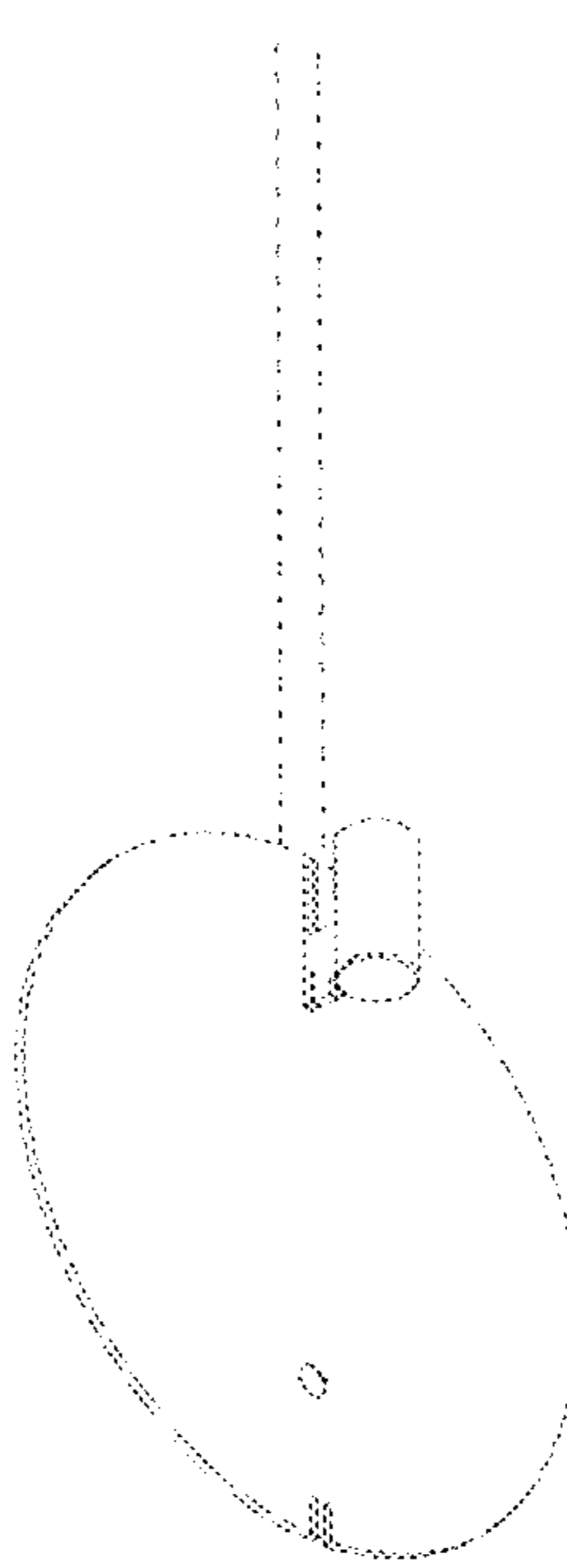
The ornamental design for a lamp, as shown and described.

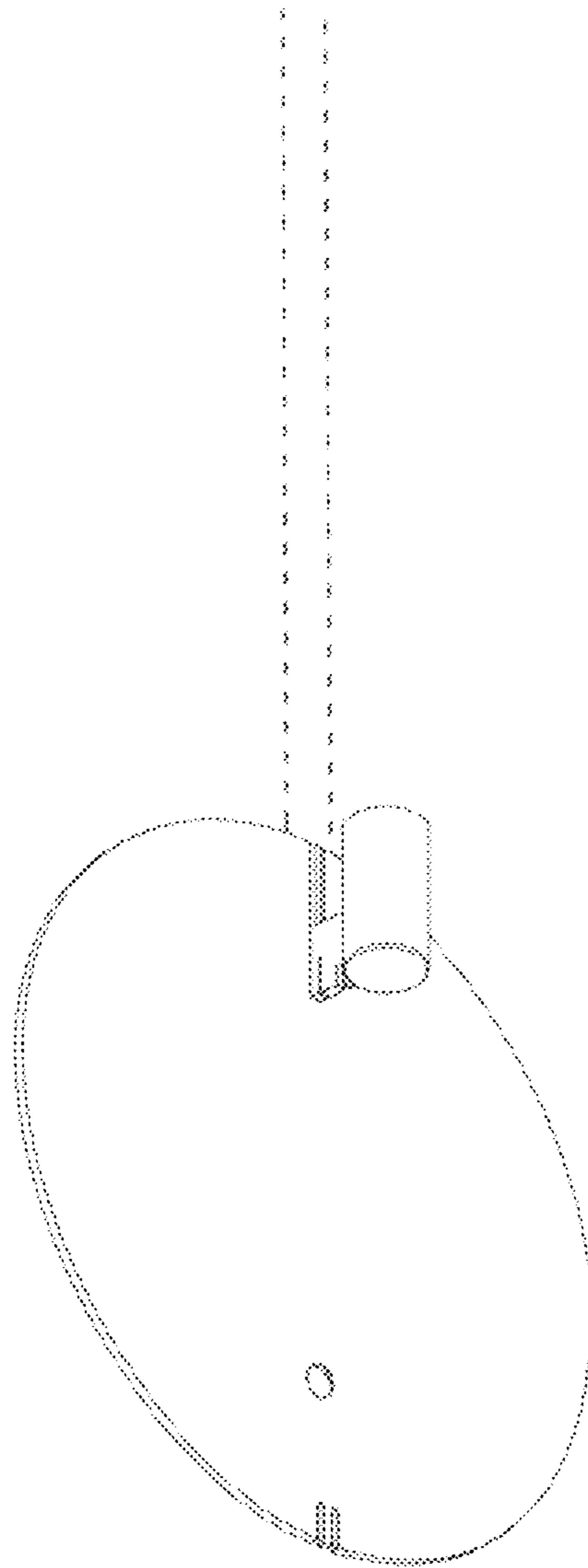
DESCRIPTION

- 1. Lamp
- 1.1 : Perspective
- 1.2 : Front
- 1.3 : Left
- 1.4 : Top
- 1.5 : Right
- 1.6 : Bottom
- 1.7 : Back

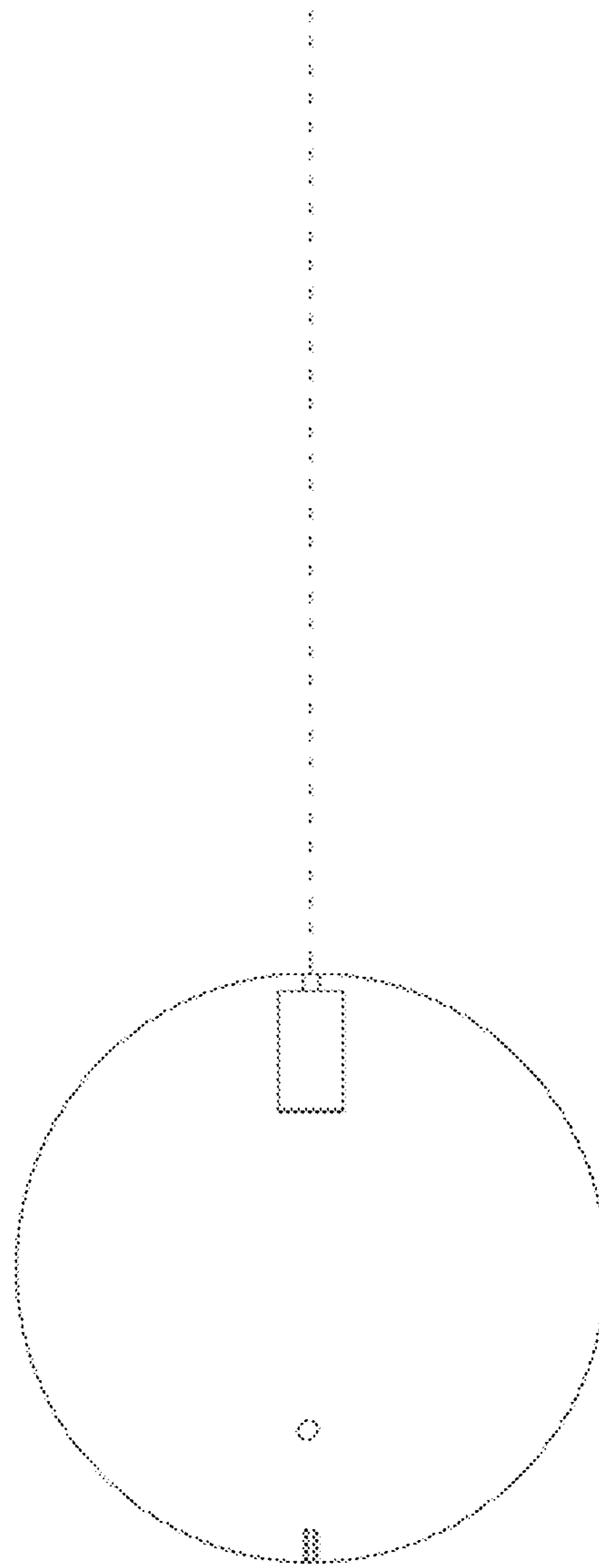
The parts shown by means of broken lines in the reproductions are not part of the claimed design.

1 Claim, 7 Drawing Sheets

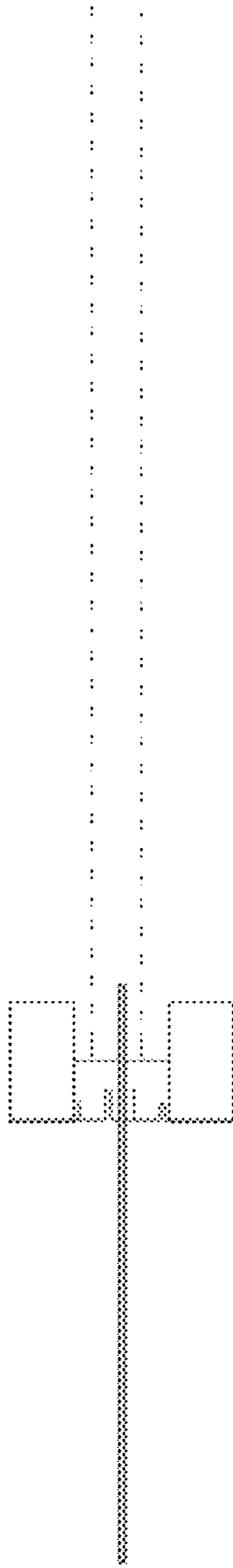




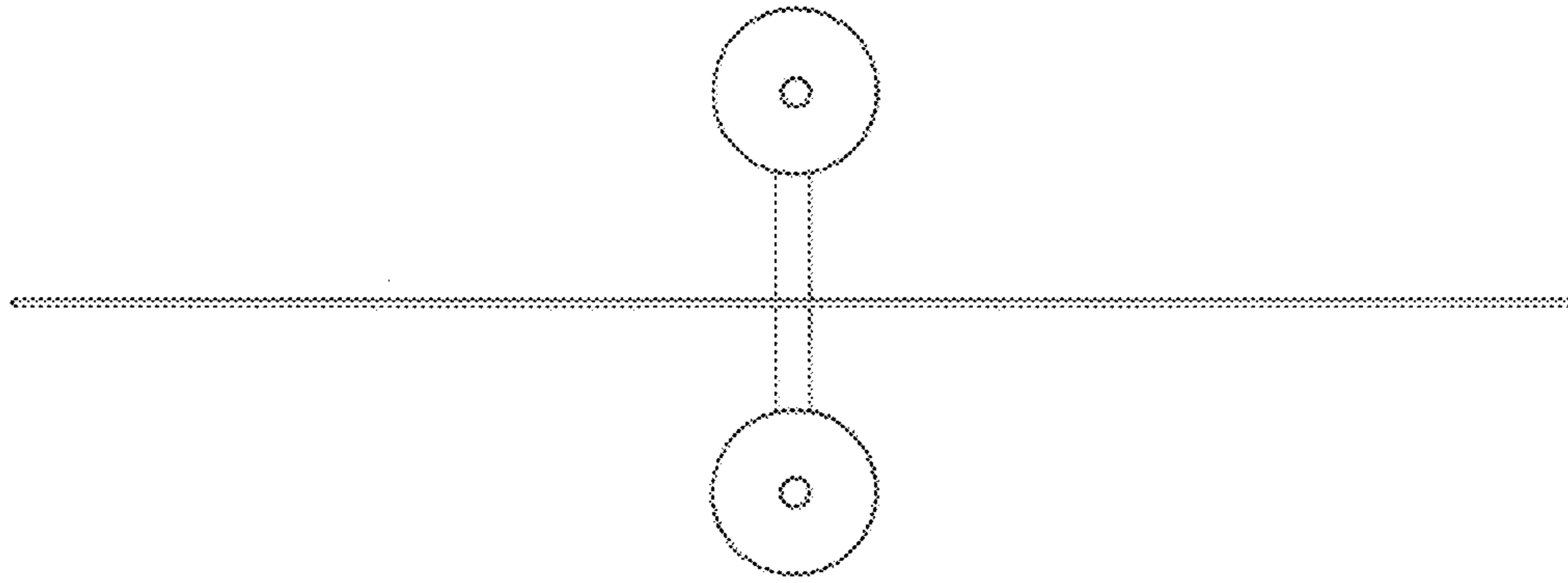
1.1



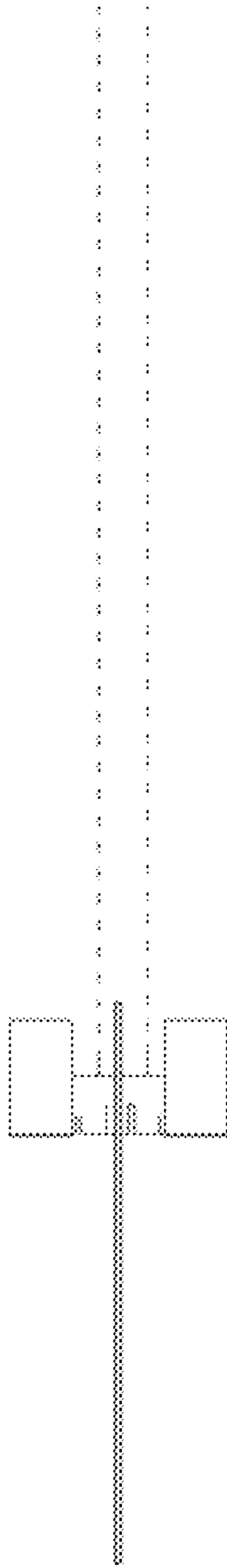
1.2



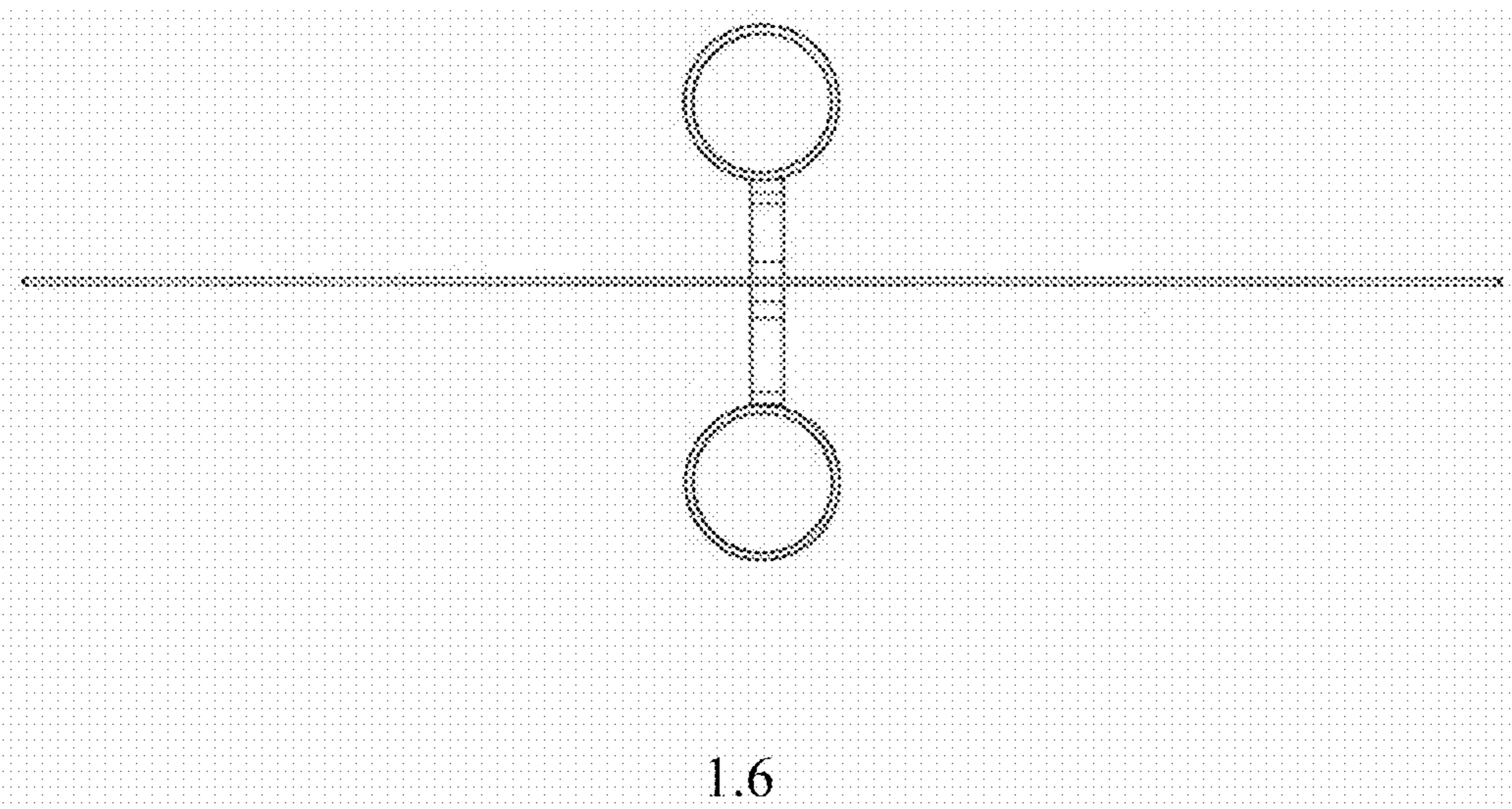
1.3



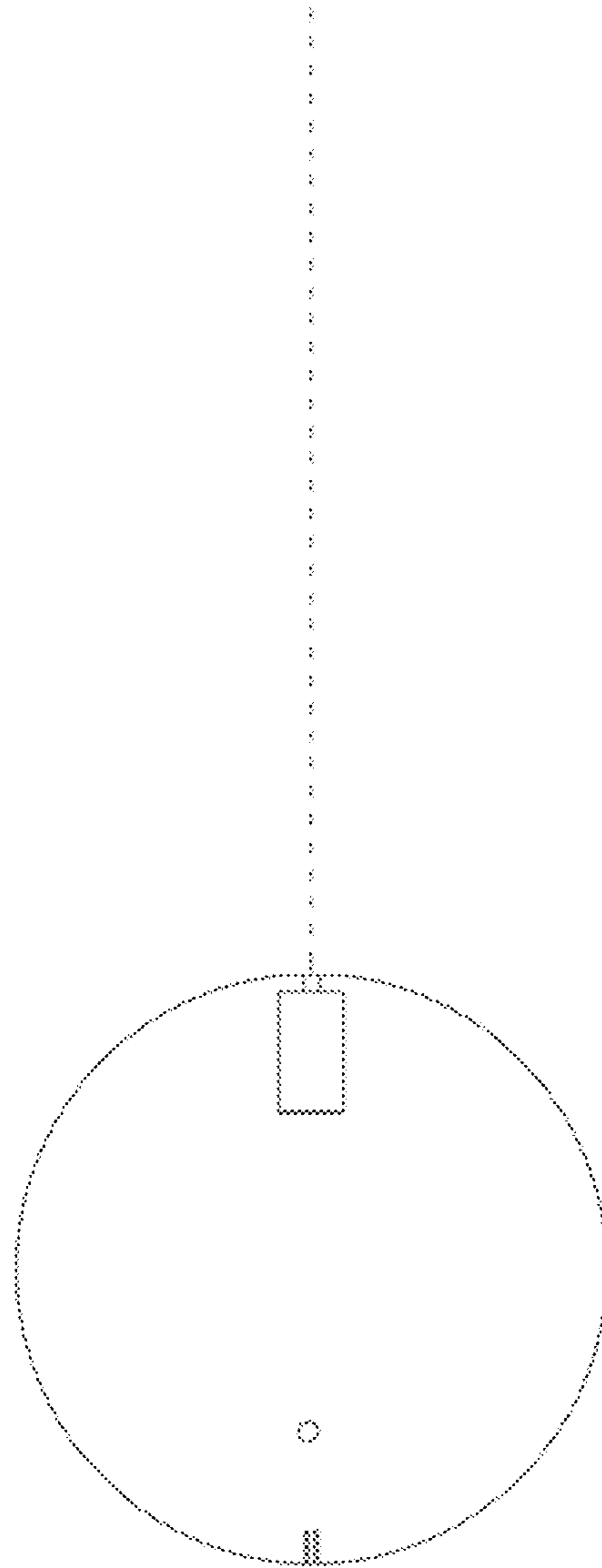
1.4



1.5



1.6



1.7