



US00D913568S

(12) **United States Design Patent**
Arola

(10) **Patent No.:** **US D913,568 S**
(45) **Date of Patent:** **** Mar. 16, 2021**

(54) **LAMP**
(71) Applicant: **SANTA & COLE NEOSERIES S.L.**,
La Roca del Vallès (ES)
(72) Inventor: **Antoni Arola**, Barcelona (ES)
(73) Assignee: **SANTA & COLE NEOSERIES S.L.**,
La Roca del Vallès (ES)

D259,517 S * 6/1981 Dobrowski D26/56
D569,031 S * 5/2008 Friedman D26/71
D592,282 S * 5/2009 Ross F21V 17/02
D23/252
D609,389 S * 2/2010 Sabernig D26/87
D776,316 S * 1/2017 Kim D26/51
D862,771 S * 10/2019 Coombes D26/85

(**) Term: **15 Years**
(21) Appl. No.: **35/507,693**
(22) Filed: **Apr. 4, 2019**

(80) **Hague Agreement Data**
Int. Filing Date: **Apr. 4, 2019**
Int. Reg. No.: **DM/203698**
Int. Reg. Date: **Apr. 4, 2019**
Int. Reg. Pub. Date: **Nov. 8, 2019**

(51) **LOC (13) Cl.** **26-05**
(52) **U.S. Cl.**
USPC **D26/87**

(58) **Field of Classification Search**
USPC D16/237, 241, 250; D26/51, 56, 71, 72,
D26/85, 87, 88, 89, 92
CPC .. F21S 8/033; F21S 8/036; F21S 8/085; F21S
8/086; F21V 21/30; F21W 2111/02
See application file for complete search history.

(56) **References Cited**
U.S. PATENT DOCUMENTS
1,071,725 A * 9/1913 Franks F21V 17/02
362/282
D176,750 S * 1/1956 Brozyna D6/308

OTHER PUBLICATIONS

Screenshot. Estudi Antoni Arola Family of Lampshades. Dated 2019; one page. Found online Aug. 5, 2020 at <http://www.estudiantoniarola.com/en/entry/bijou> (Year: 2019).*

* cited by examiner

Primary Examiner — Robert M. Spear
(74) *Attorney, Agent, or Firm* — McCormick, Paulding & Huber PLLC

(57) **CLAIM**

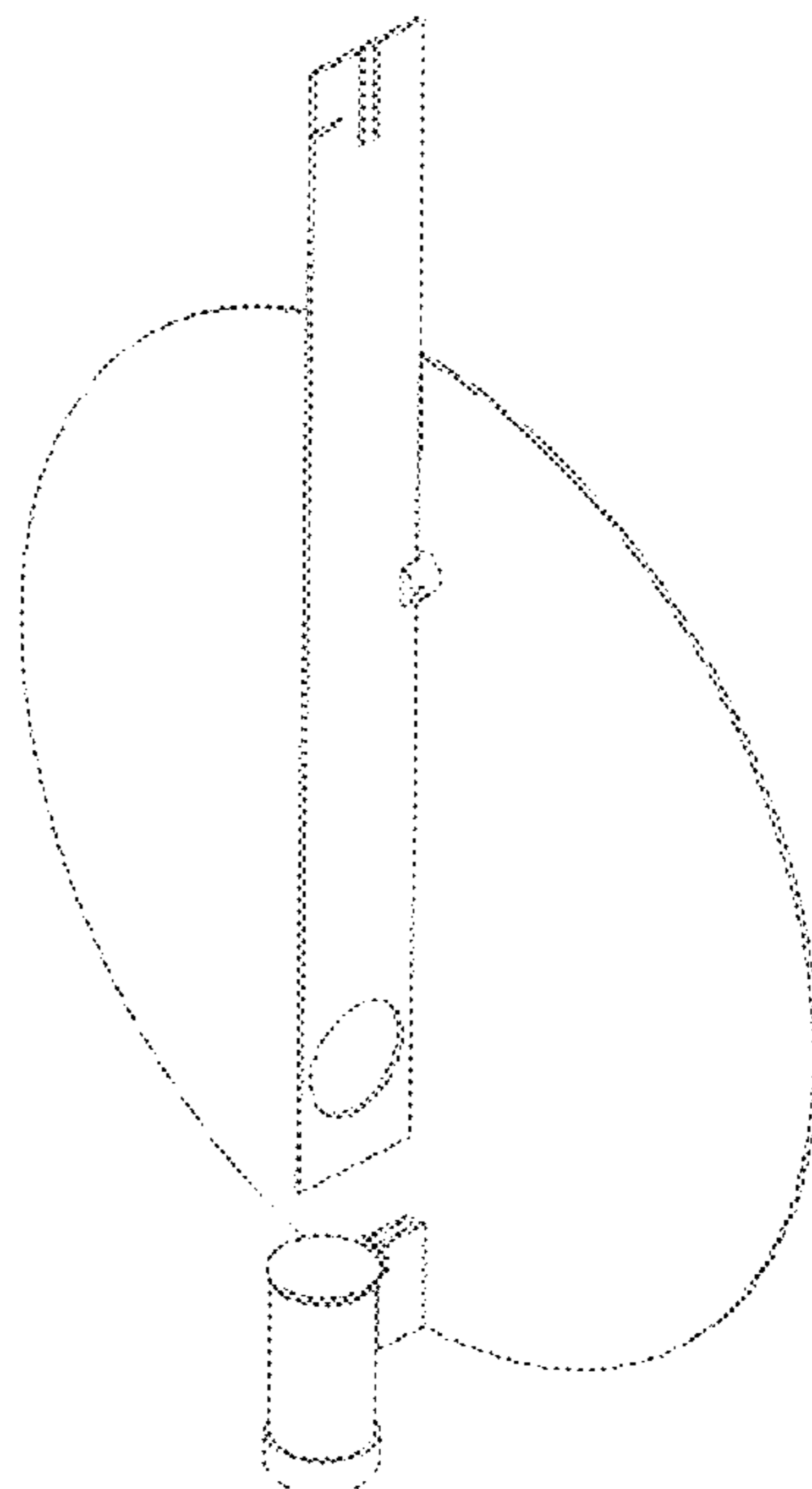
The ornamental design for a lamp, as shown and described.

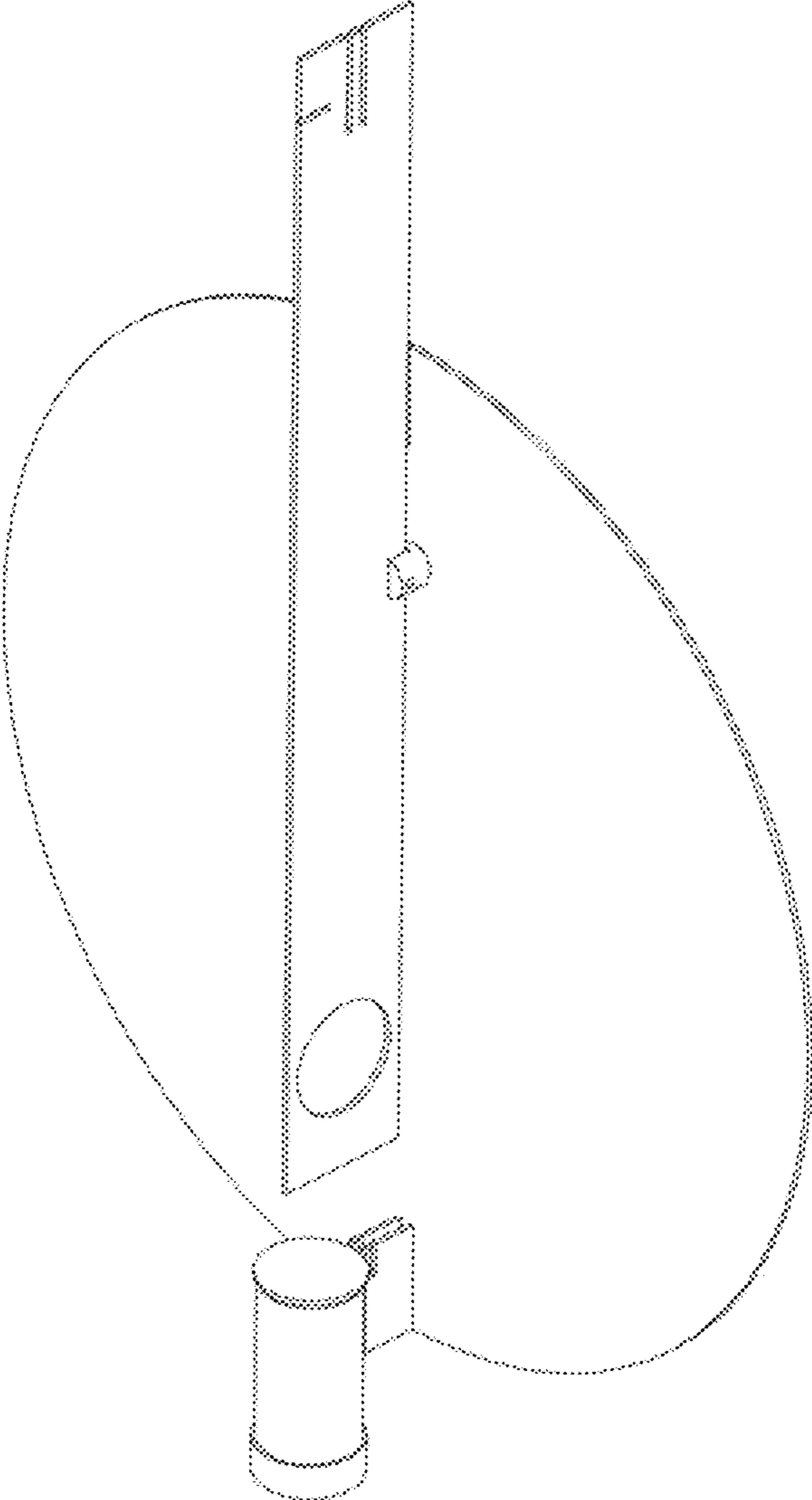
DESCRIPTION

- 1. Lamp
- 1.1 : Perspective
- 1.2 : Perspective
- 1.3 : Front
- 1.4 : Left
- 1.5 : Top
- 1.6 : Right
- 1.7 : Bottom
- 1.8 : Back

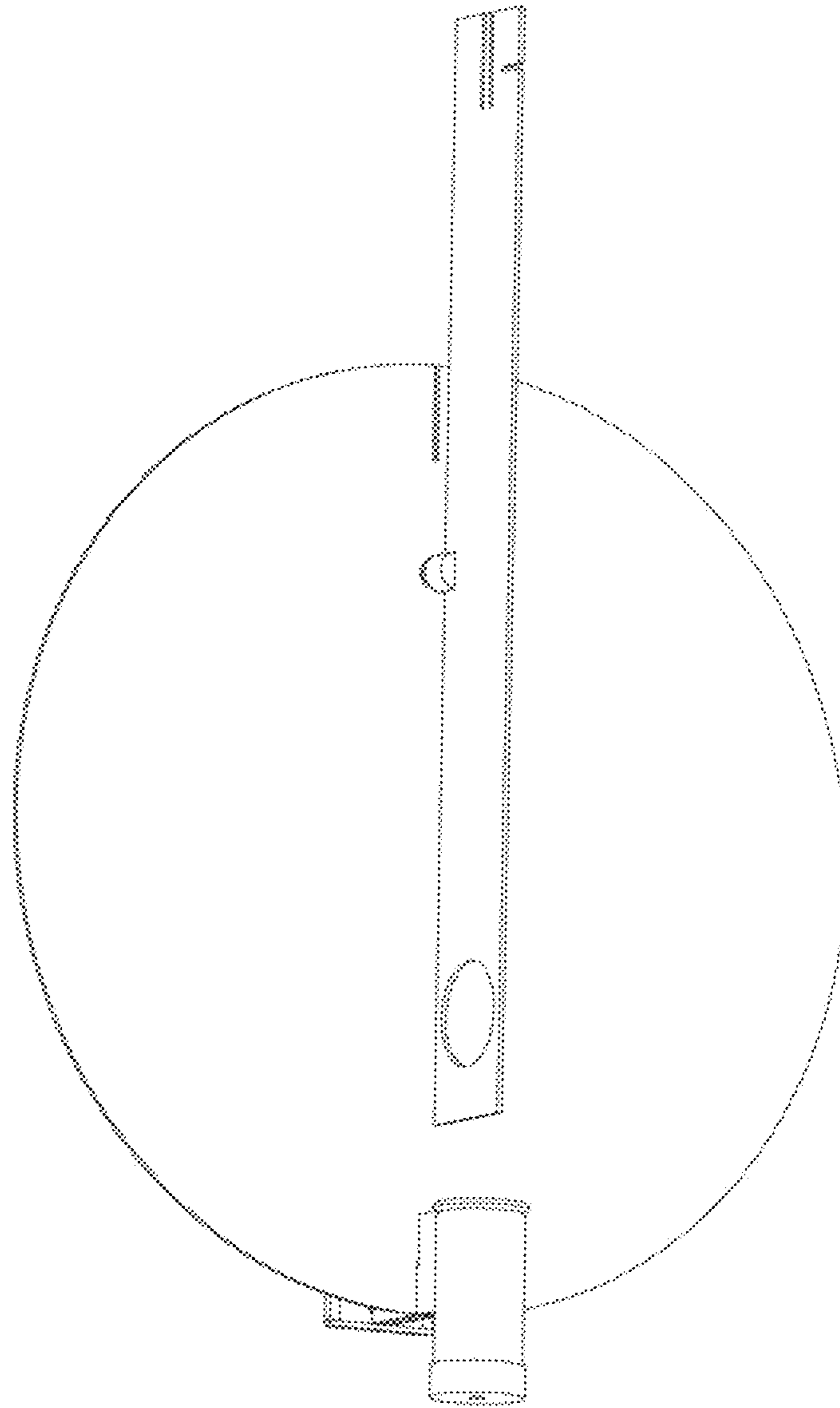
The broken lines in Figs. 1.5 and 1.7 depict environment and form no part of the claim.

1 Claim, 8 Drawing Sheets

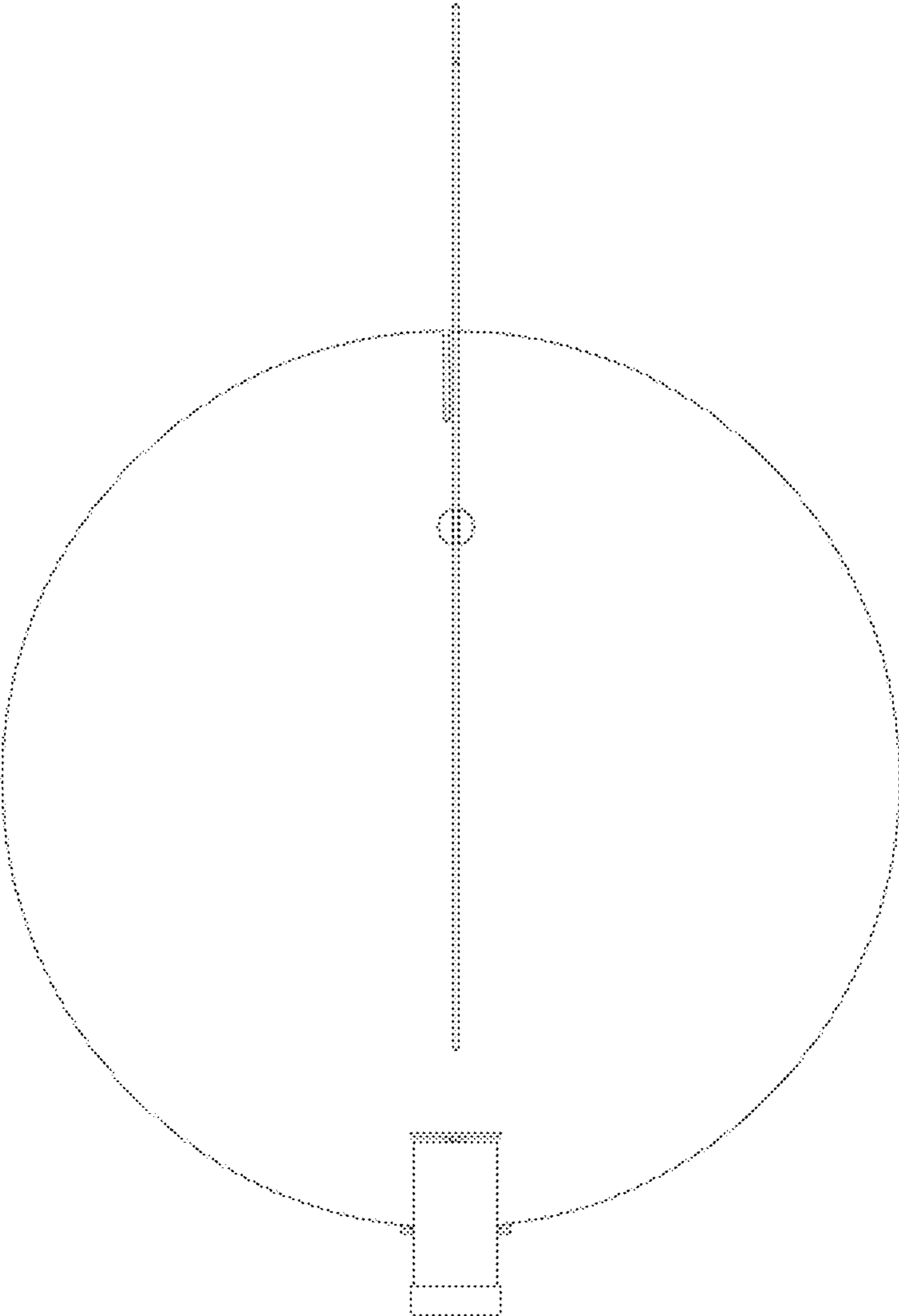


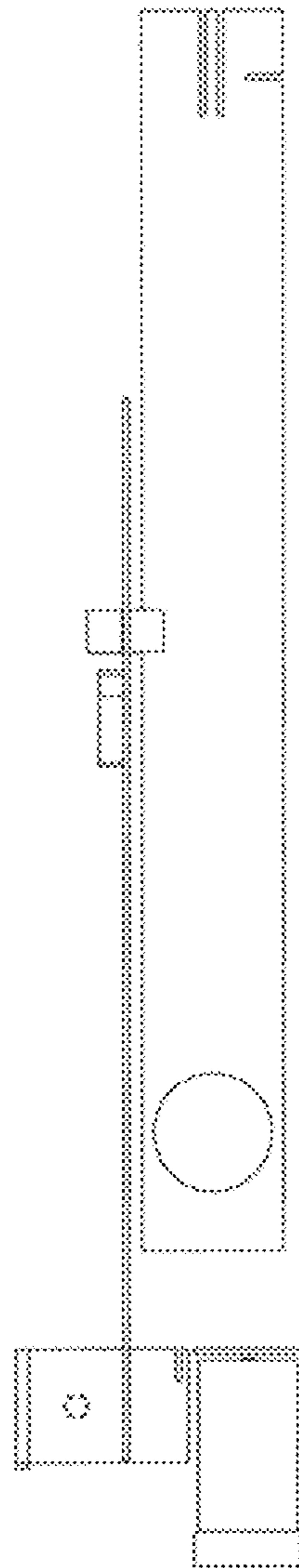


1.1

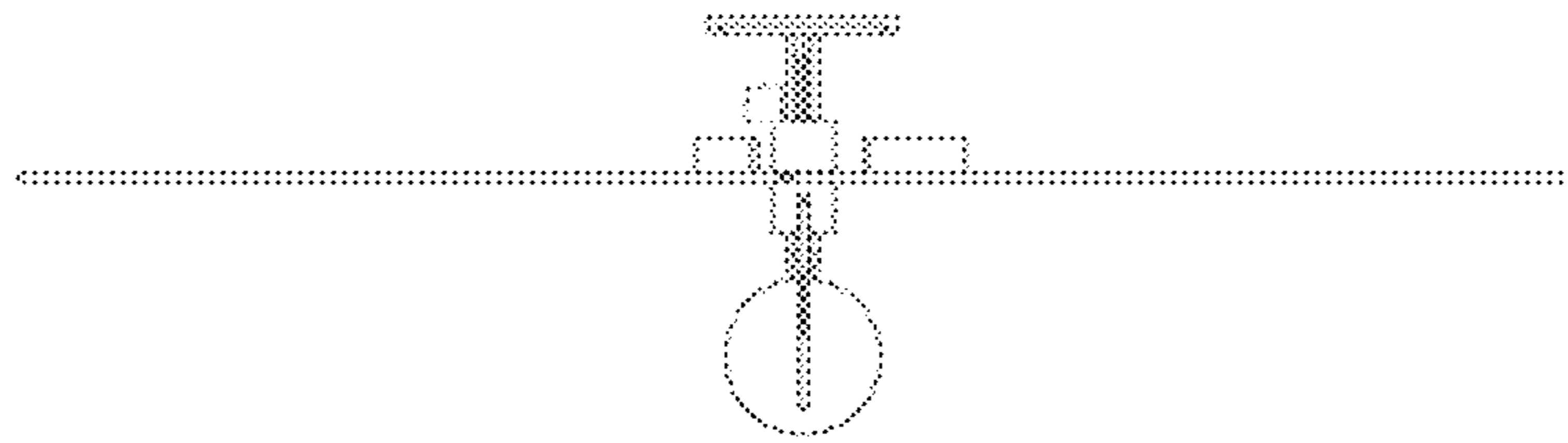


1.2

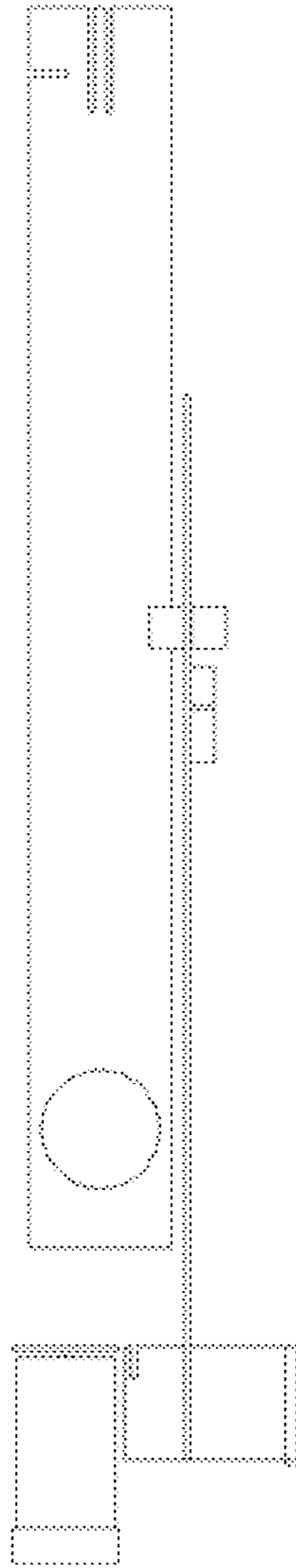


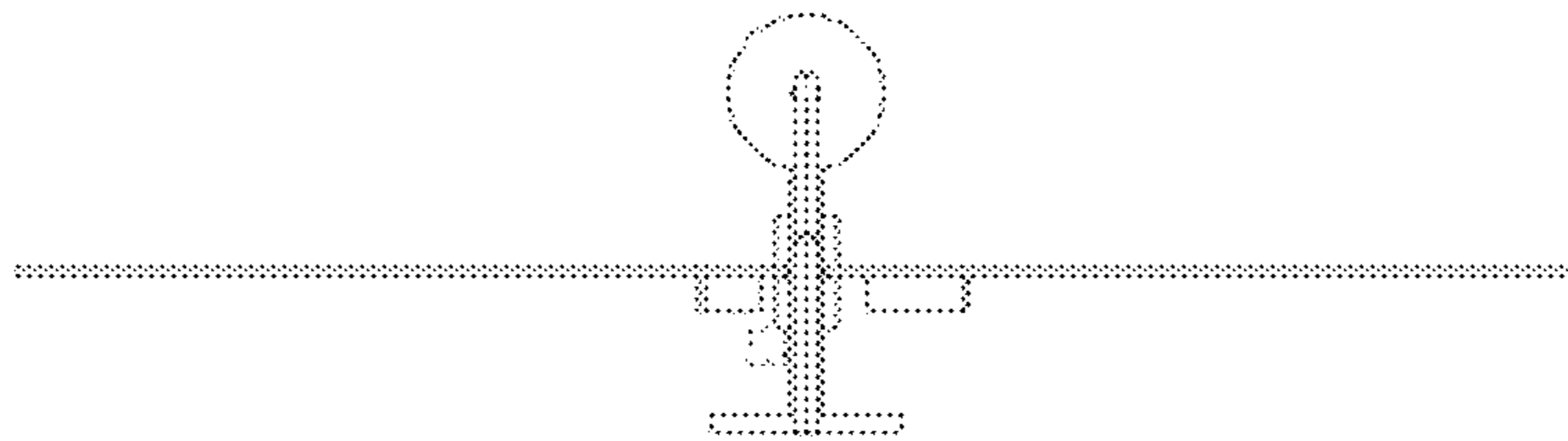


1.4

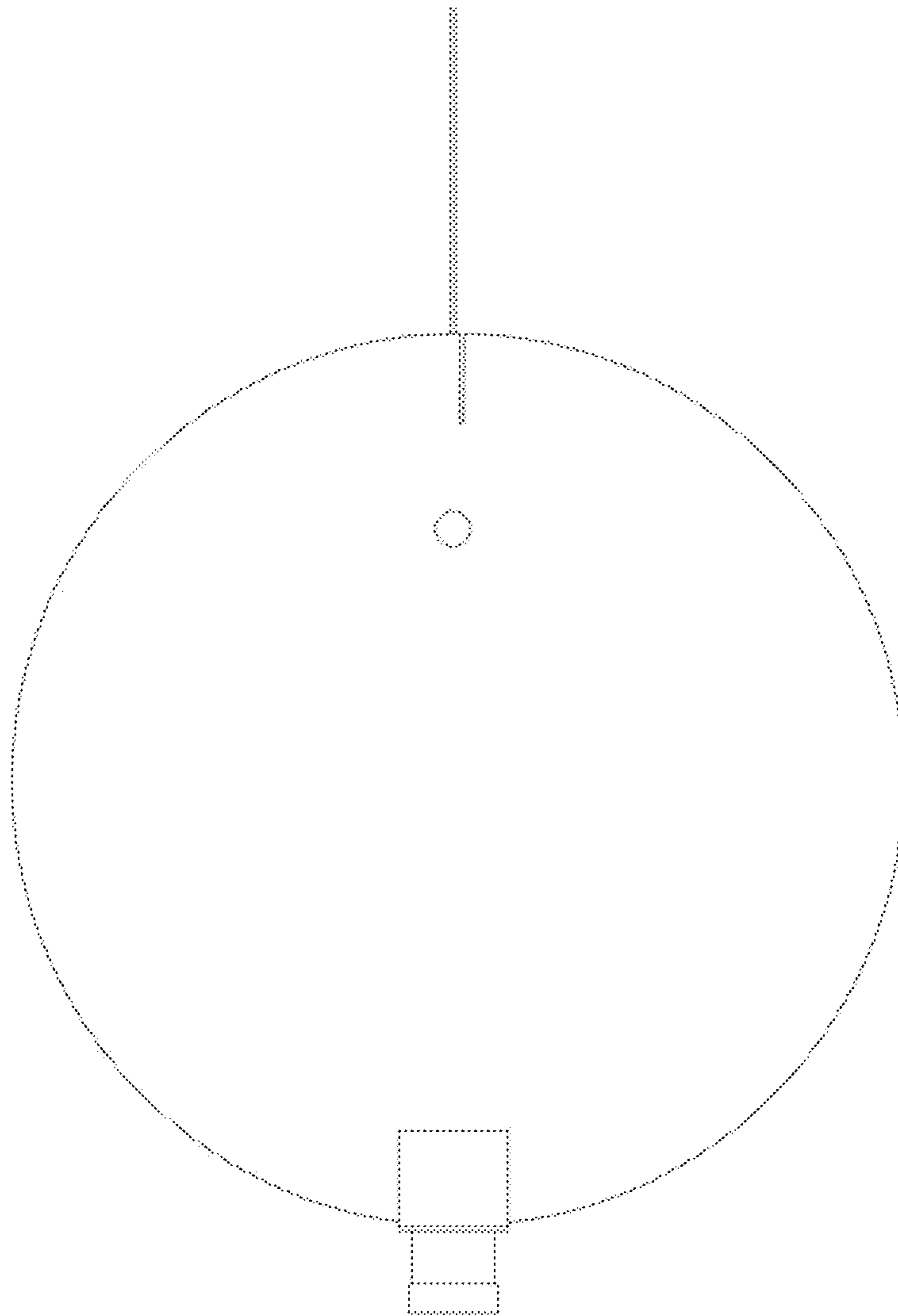


1.5





1.7



1.8