



US00D913567S

(12) **United States Design Patent** (10) **Patent No.:** **US D913,567 S**  
**Arola** (45) **Date of Patent:** **\*\* Mar. 16, 2021**

(54) **LAMP**  
(71) Applicant: **SANTA & COLE NEOSERIES S.L.**,  
La Roca del Vallès (ES)  
(72) Inventor: **Antoni Arola**, Barcelona (ES)  
(73) Assignee: **SANTA & COLE NEOSERIES S.L.**,  
La Roca del Vallès (ES)

D589,092 S \* 3/2009 Glover ..... D20/17  
D606,701 S \* 12/2009 Chandler ..... D26/141  
D617,034 S \* 6/2010 Compton ..... D26/85  
D623,792 S \* 9/2010 Nankil ..... D26/87  
D703,361 S \* 4/2014 Kondou ..... D26/85  
D766,493 S \* 9/2016 Hoshikawa ..... D26/107  
D796,724 S \* 9/2017 Sonneman ..... D26/85  
D821,018 S \* 6/2018 Amato ..... D26/87  
D844,885 S \* 4/2019 Tommei ..... D26/92  
D887,614 S \* 6/2020 Lin ..... D26/85

(\*\*) Term: **15 Years**  
(21) Appl. No.: **35/507,667**  
(22) Filed: **Apr. 4, 2019**

**OTHER PUBLICATIONS**

Screenshot. Estudi Antoni Arola Family of Lampshades. Dated 2019; one page. Found online Aug. 5, 2020 at <http://www.estudiantoniarola.com/en/entry/bijou> (Year: 2019).\*

(80) **Hague Agreement Data**  
Int. Filing Date: **Apr. 4, 2019**  
Int. Reg. No.: **DM/203708**  
Int. Reg. Date: **Apr. 4, 2019**  
Int. Reg. Pub. Date: **Nov. 8, 2019**

\* cited by examiner

*Primary Examiner* — Robert M. Spear  
(74) *Attorney, Agent, or Firm* — McCormick, Paulding & Huber PLLC

(51) **LOC (13) Cl.** ..... **26-05**  
(52) **U.S. Cl.**  
USPC ..... **D26/87**

(57) **CLAIM**

The ornamental design for a lamp, as shown and described.

(58) **Field of Classification Search**  
USPC ..... D16/237, 241, 250; D26/51, 56, 71, 72,  
D26/85, 87, 88, 89, 92  
CPC .. F21S 8/033; F21S 8/036; F21S 8/085; F21S  
8/086; F21V 21/30; F21W 2111/02  
See application file for complete search history.

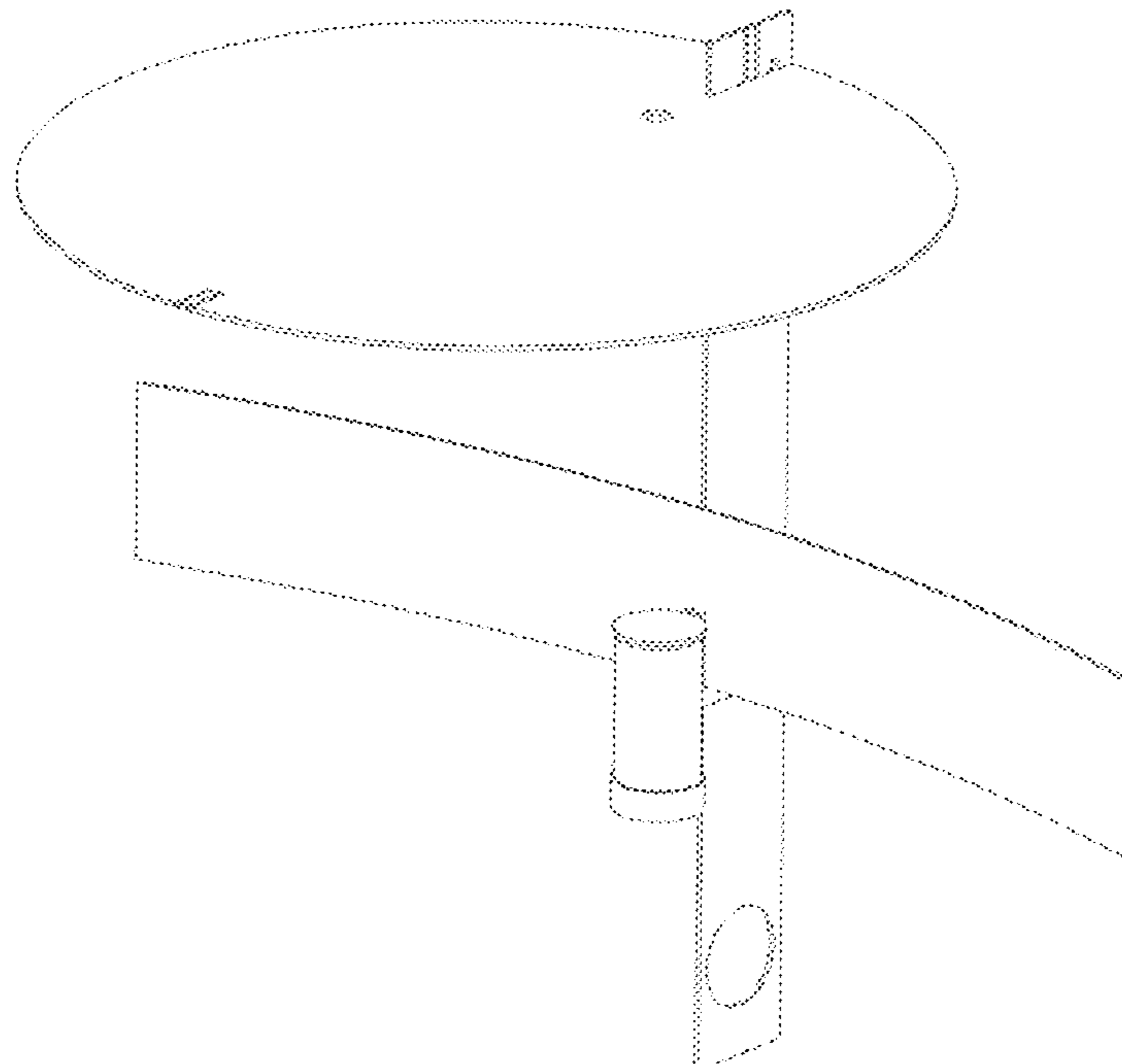
**DESCRIPTION**

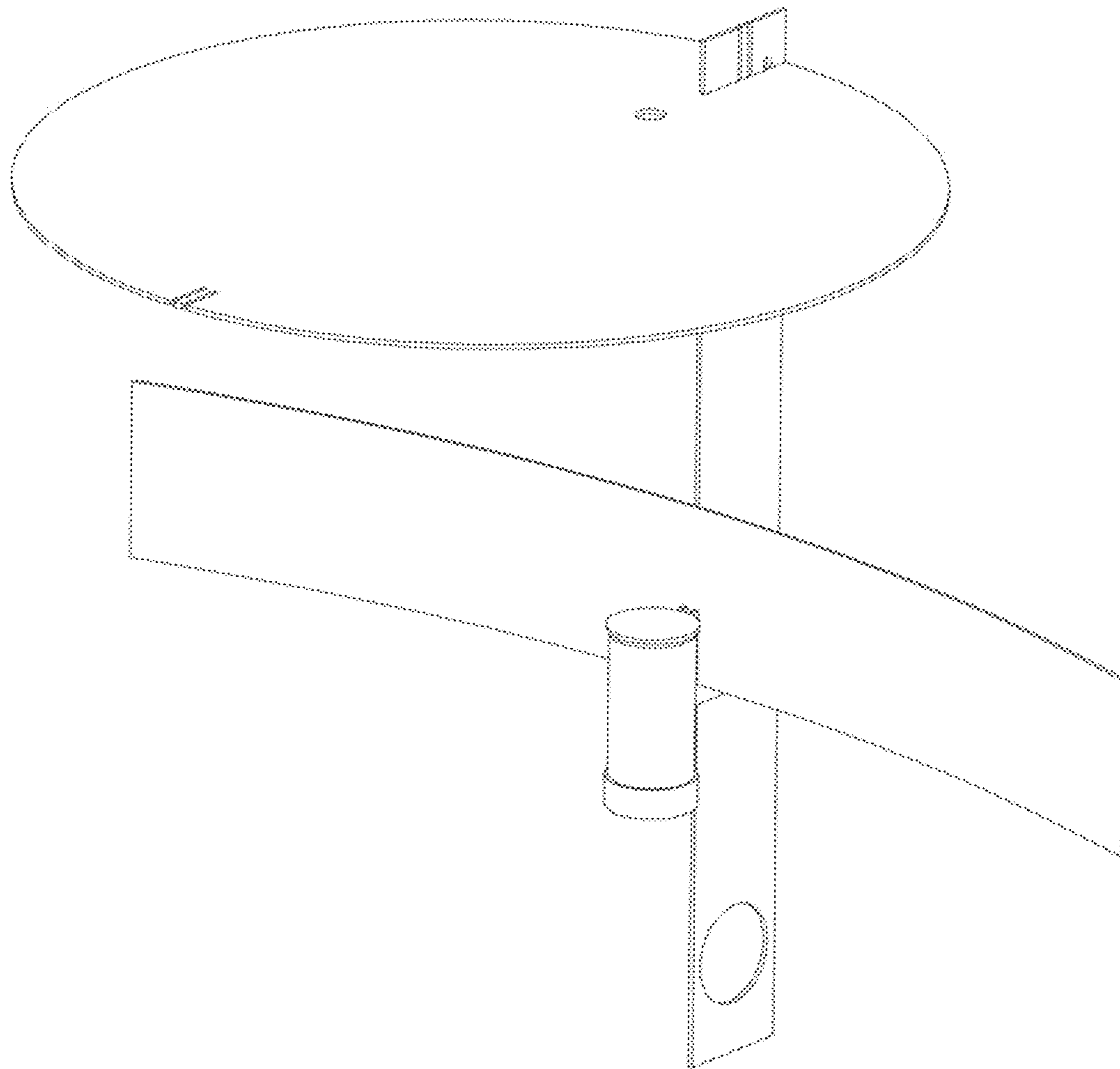
- 1. Lamp
- 1.1 : Perspective
- 1.2 : Perspective
- 1.3 : Front
- 1.4 : Left
- 1.5 : Top
- 1.6 : Right
- 1.7 : Bottom
- 1.8 : Back

(56) **References Cited**  
U.S. PATENT DOCUMENTS

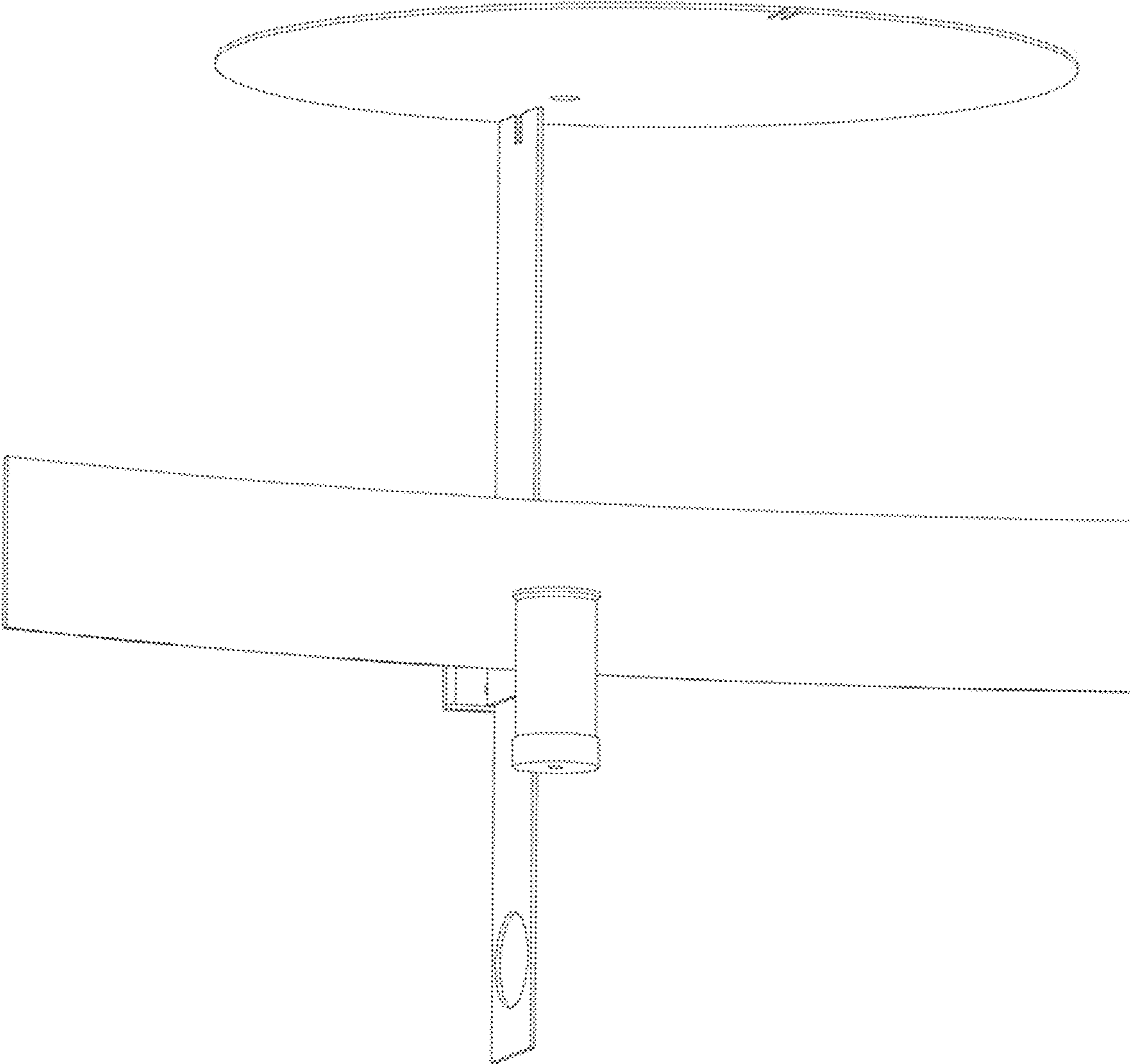
D146,987 S \* 6/1947 Reinecke ..... D26/107  
D468,478 S \* 1/2003 Landefeld ..... D26/106

**1 Claim, 8 Drawing Sheets**

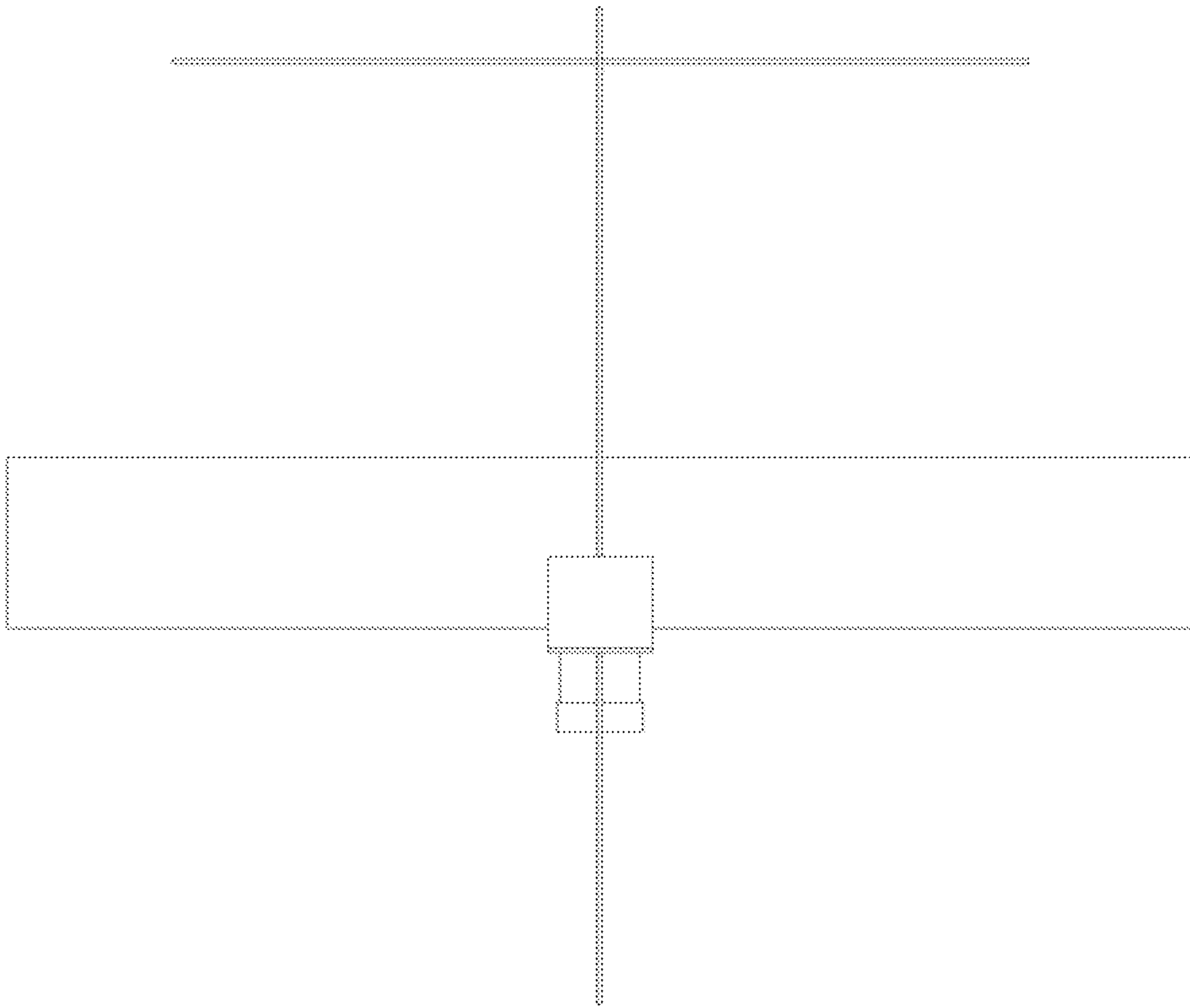




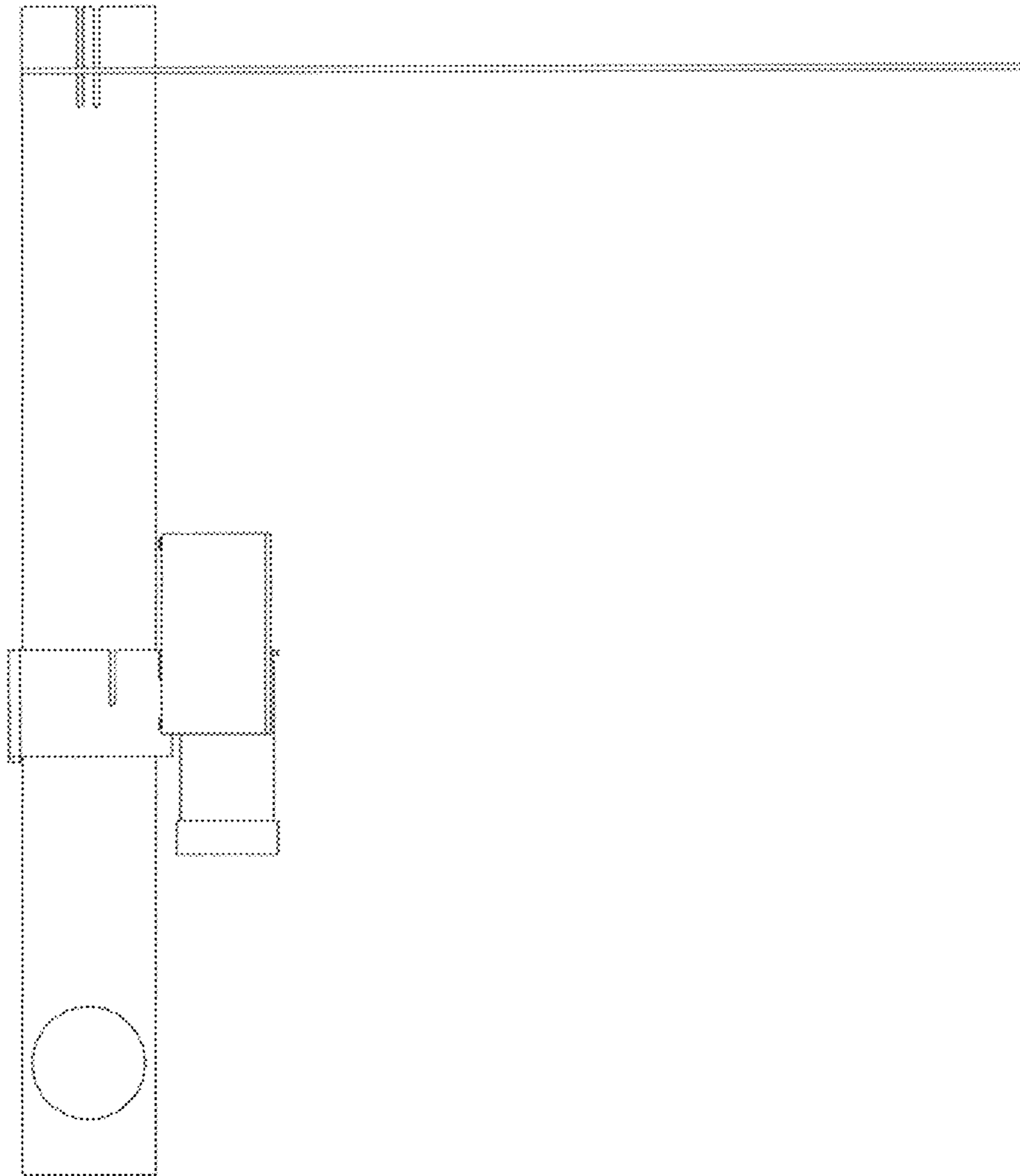
1.1

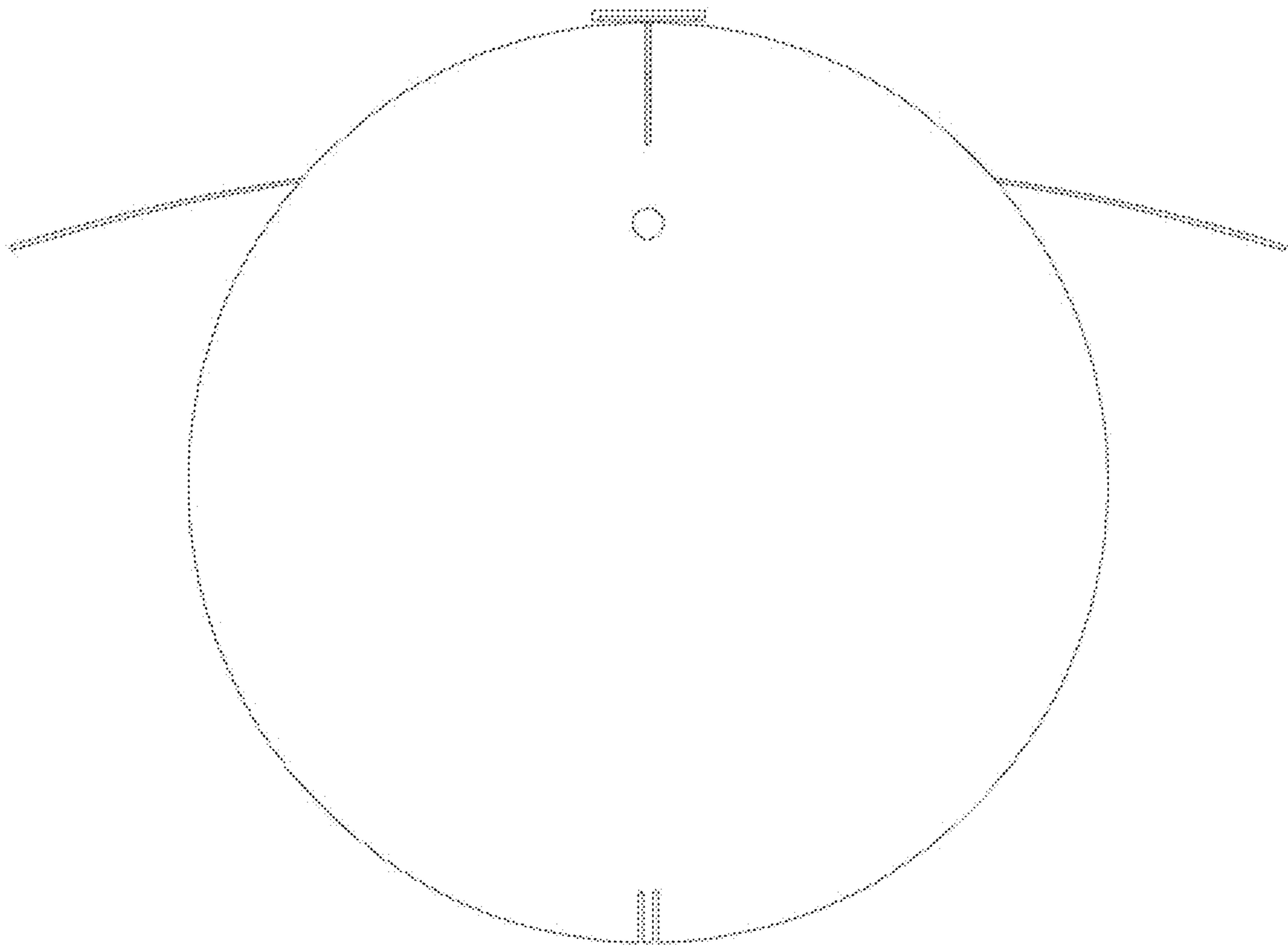


1.2

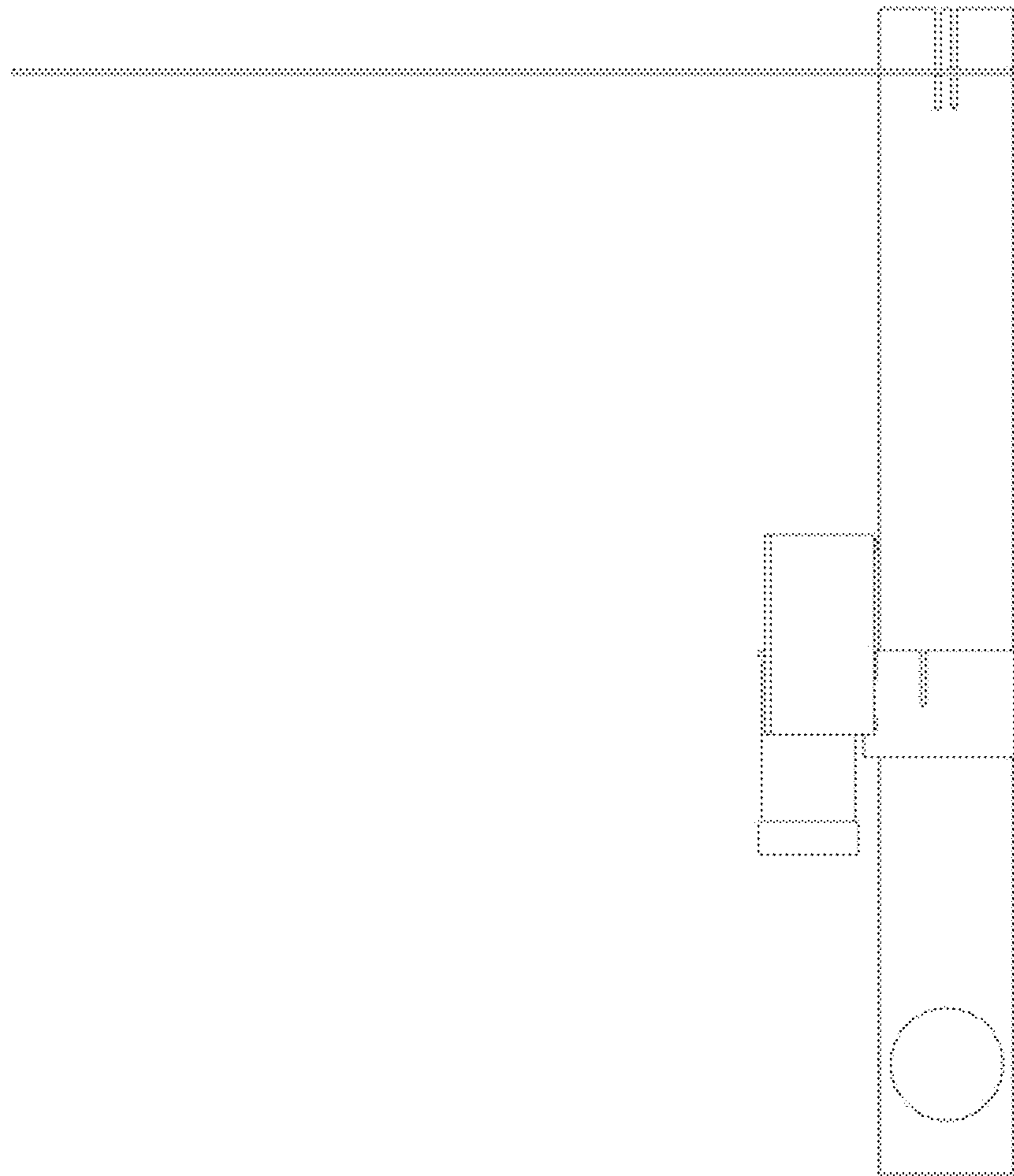


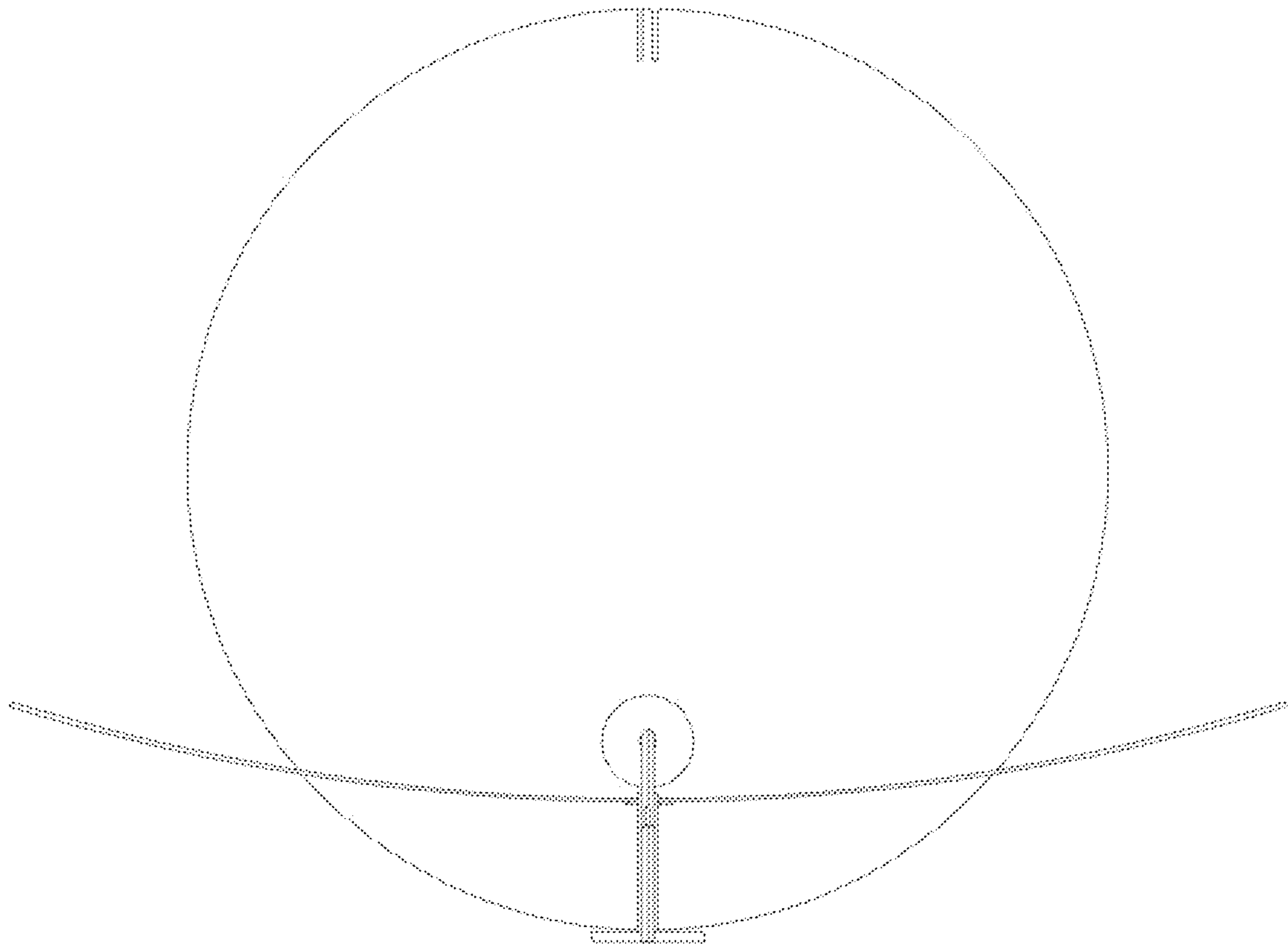
1.3



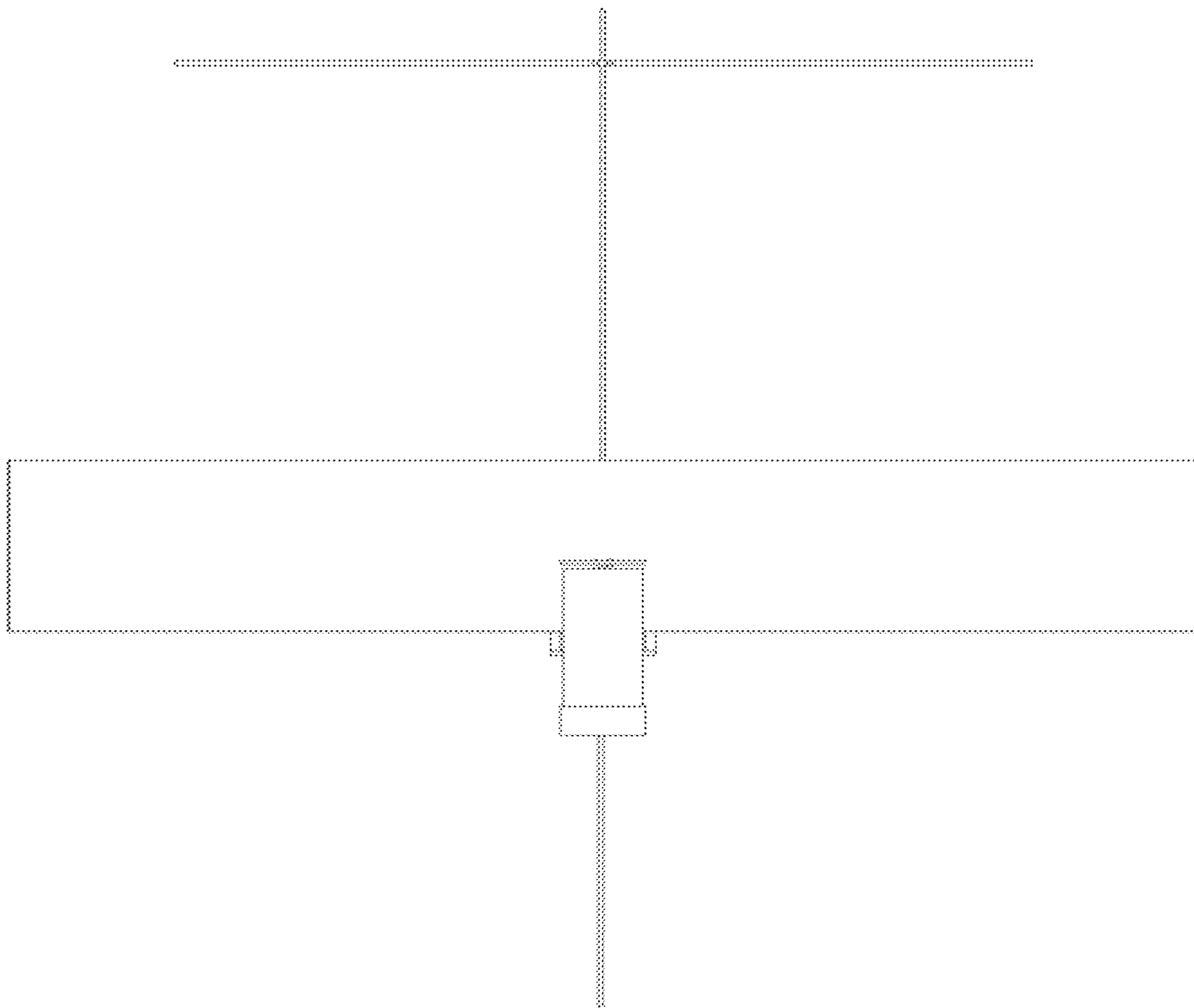


1.5









1.8