



US00D913565S

(12) **United States Design Patent** (10) **Patent No.:** **US D913,565 S**
Yu (45) **Date of Patent:** **** Mar. 16, 2021**

(54) **LAMP**

(71) Applicant: **Yuanqi Yu**, Guangdong (CN)

(72) Inventor: **Yuanqi Yu**, Guangdong (CN)

(**) Term: **15 Years**

(21) Appl. No.: **29/746,125**

(22) Filed: **Aug. 12, 2020**

(51) **LOC (13) Cl.** **26-03**

(52) **U.S. Cl.**
USPC **D26/87**

(58) **Field of Classification Search**
USPC D26/80, 85-87, 92
CPC F21S 8/03; F21S 8/035; F21S 8/036
See application file for complete search history.

(56) **References Cited**

U.S. PATENT DOCUMENTS

D510,452 S	*	10/2005	Porter	D26/80
D514,730 S	*	2/2006	Lo	D26/86
D575,893 S	*	8/2008	Castellucci	D26/87
D576,339 S	*	9/2008	Porter	D26/80
D647,663 S	*	10/2011	Chen	D26/87
D754,906 S	*	4/2016	Smith	D26/87
D819,868 S	*	6/2018	Qiao	D26/87
D822,233 S		7/2018	Wang et al.		
D879,354 S	*	3/2020	Lin	D26/87
D893,791 S	*	8/2020	Lin	D26/87

OTHER PUBLICATIONS

Waverly 3-Light Vanity Light available at jossandmain.com as early as Jun. 29, 2019. (Year: 2019).*

Aragon 3 Light Brushed Nickel Bath Vanity by Livex Lighting Model #10383-91 at homedepot.com visited Jan. 22, 2021. (Year: 2021).*

Amazon Brand—Rivet 3-Light Vanity Light with Frosted Glass Shades available at amazon.com Jul. 20, 2020. (Year: 2020).*

* cited by examiner

Primary Examiner — Clare E Heflin

(74) *Attorney, Agent, or Firm* — ZANIP

(57) **CLAIM**

The ornamental design for a lamp, as shown and described.

DESCRIPTION

FIG. 1 is a rear and bottom perspective view of a lamp showing my new design;

FIG. 2 is front and top perspective view thereof;

FIG. 3 is a bottom plan view thereof;

FIG. 4 is a top plan view thereof;

FIG. 5 is a left side elevation view thereof;

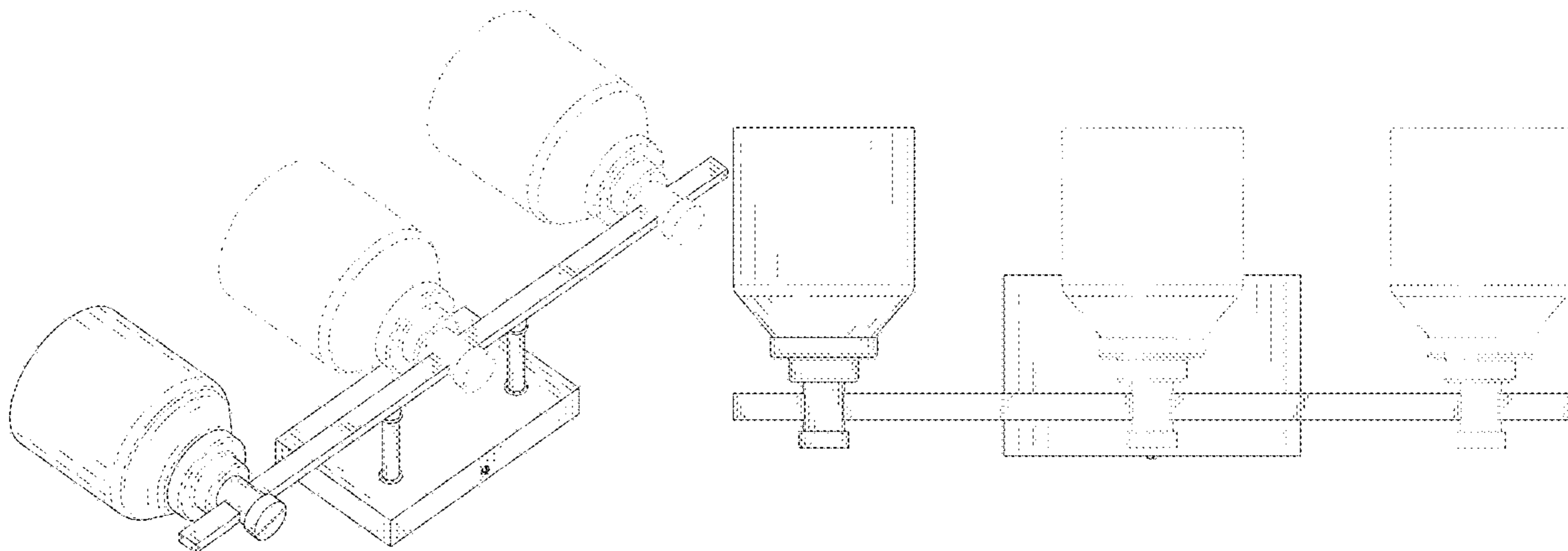
FIG. 6 is a right side elevation view thereof;

FIG. 7 is a rear elevation view there; and,

FIG. 8 is a front elevation view thereof.

The dashed broken lines in the figures illustrate portions of the article that form no part of the claimed design.

1 Claim, 8 Drawing Sheets



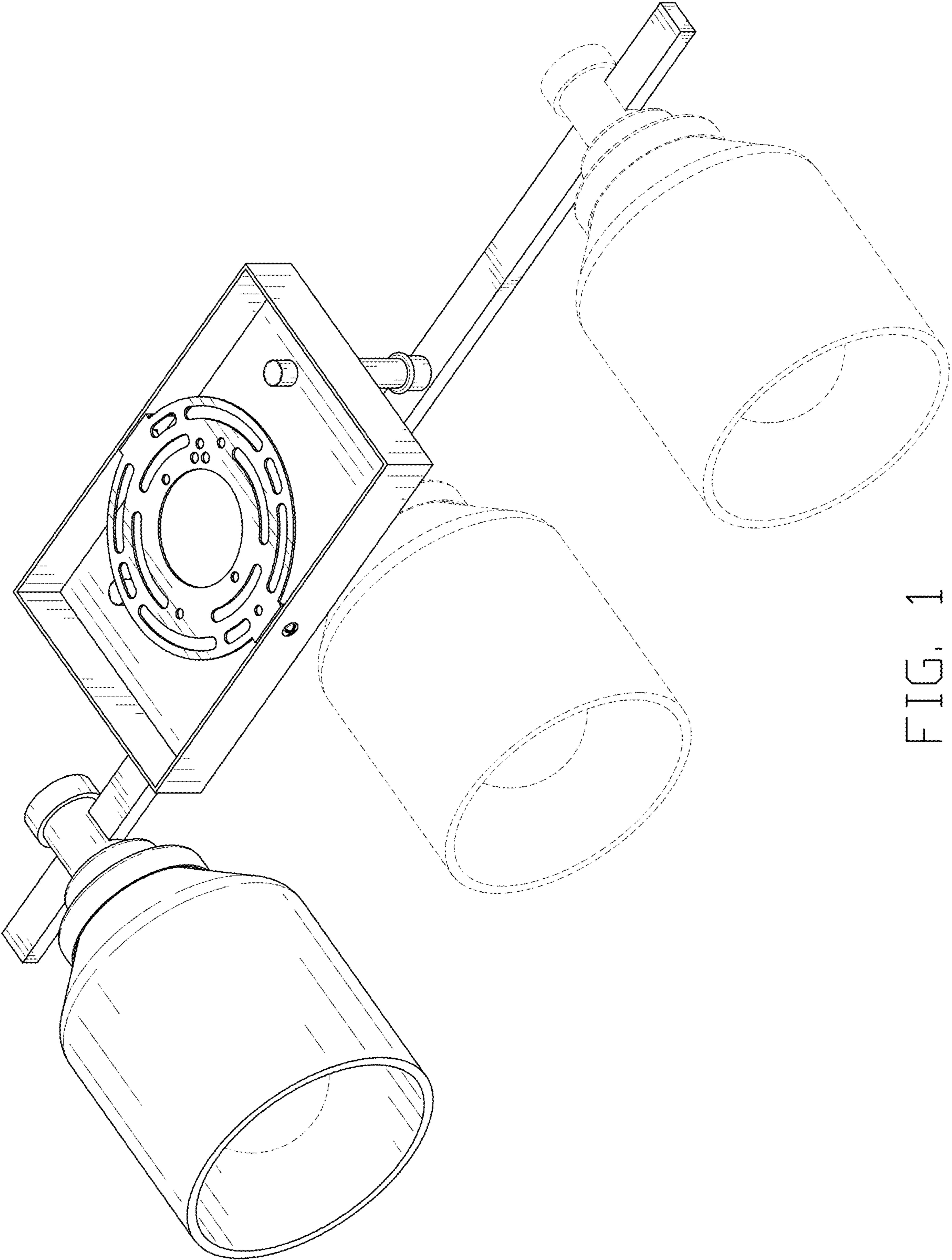


FIG. 1

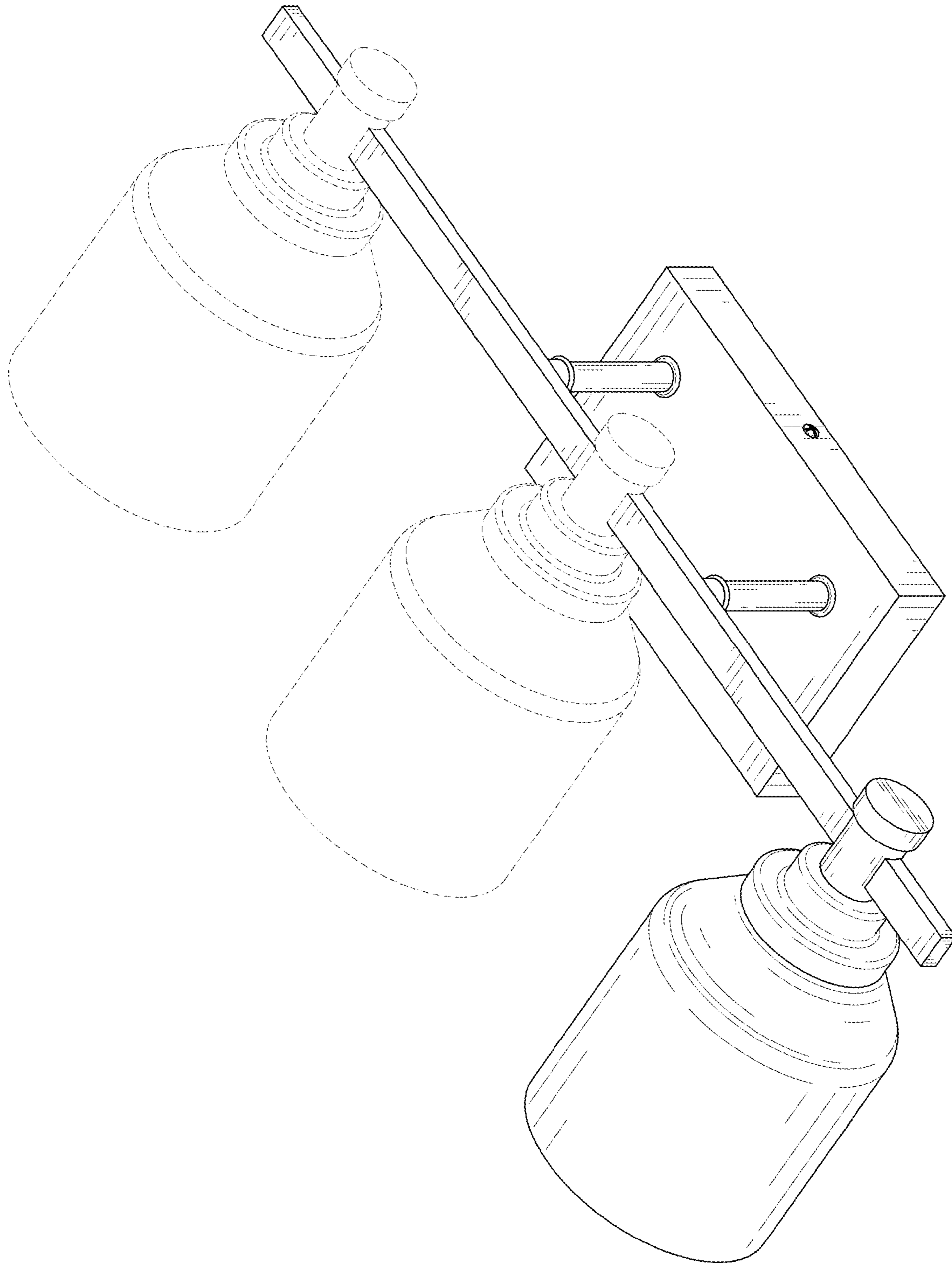


FIG. 2

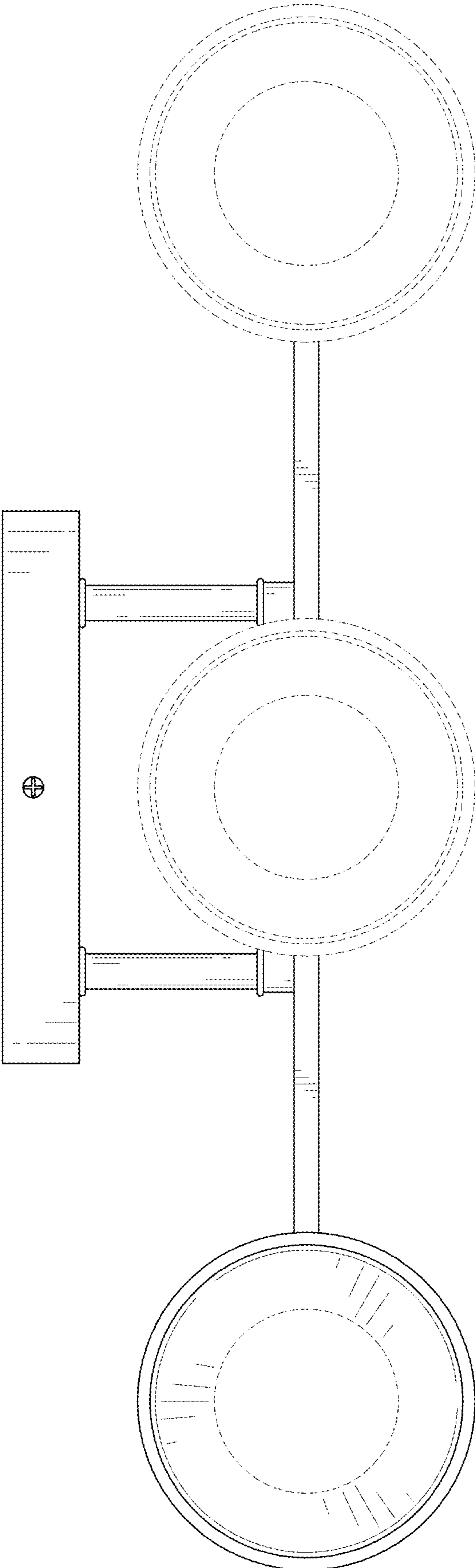


FIG. 3

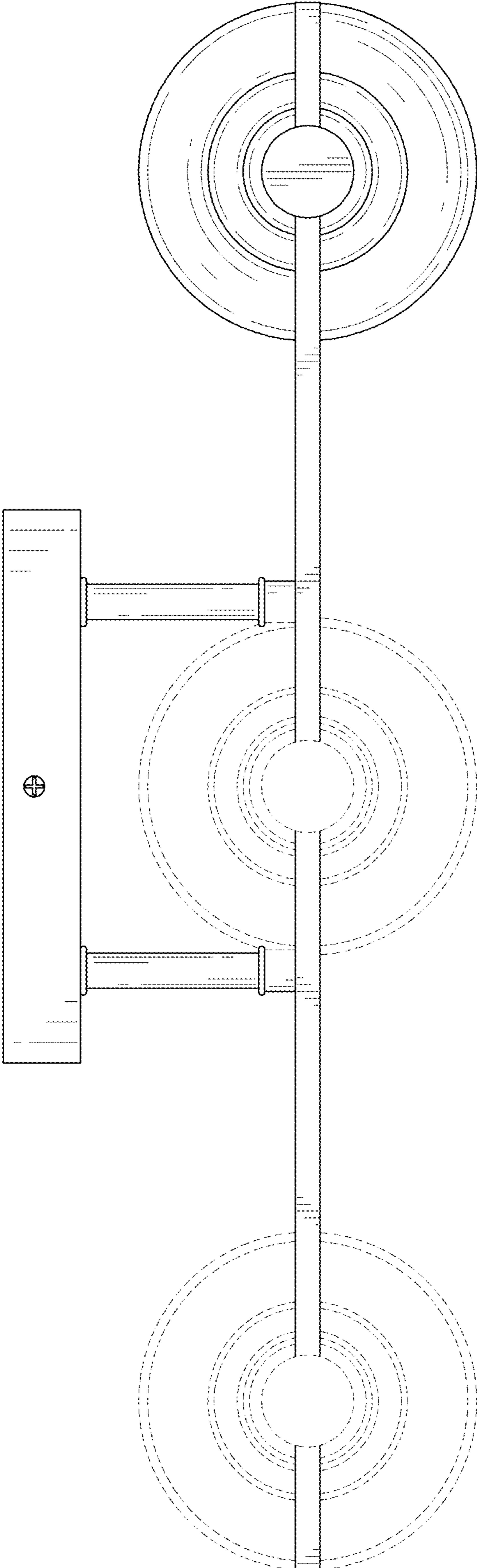


FIG. 4

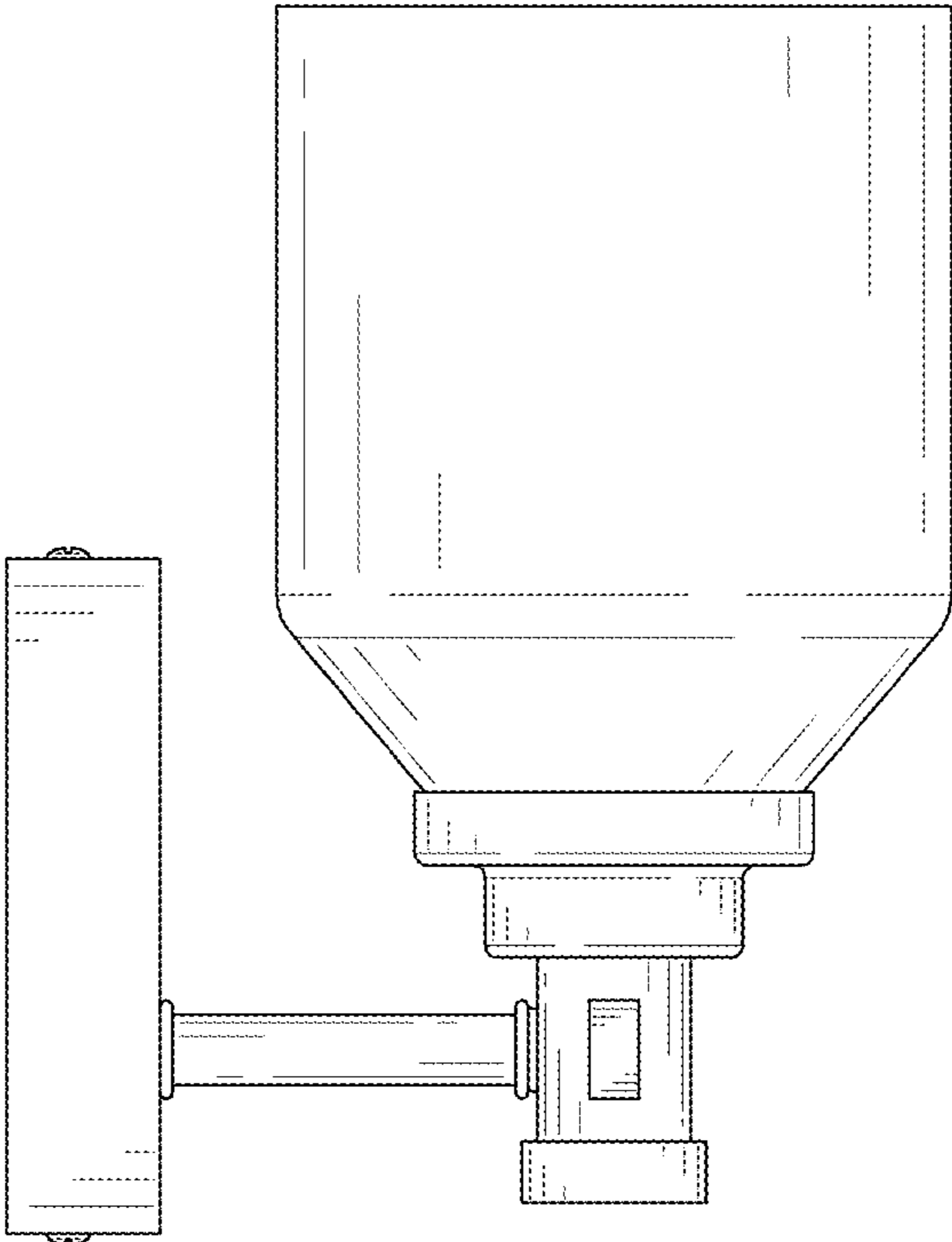


FIG. 5

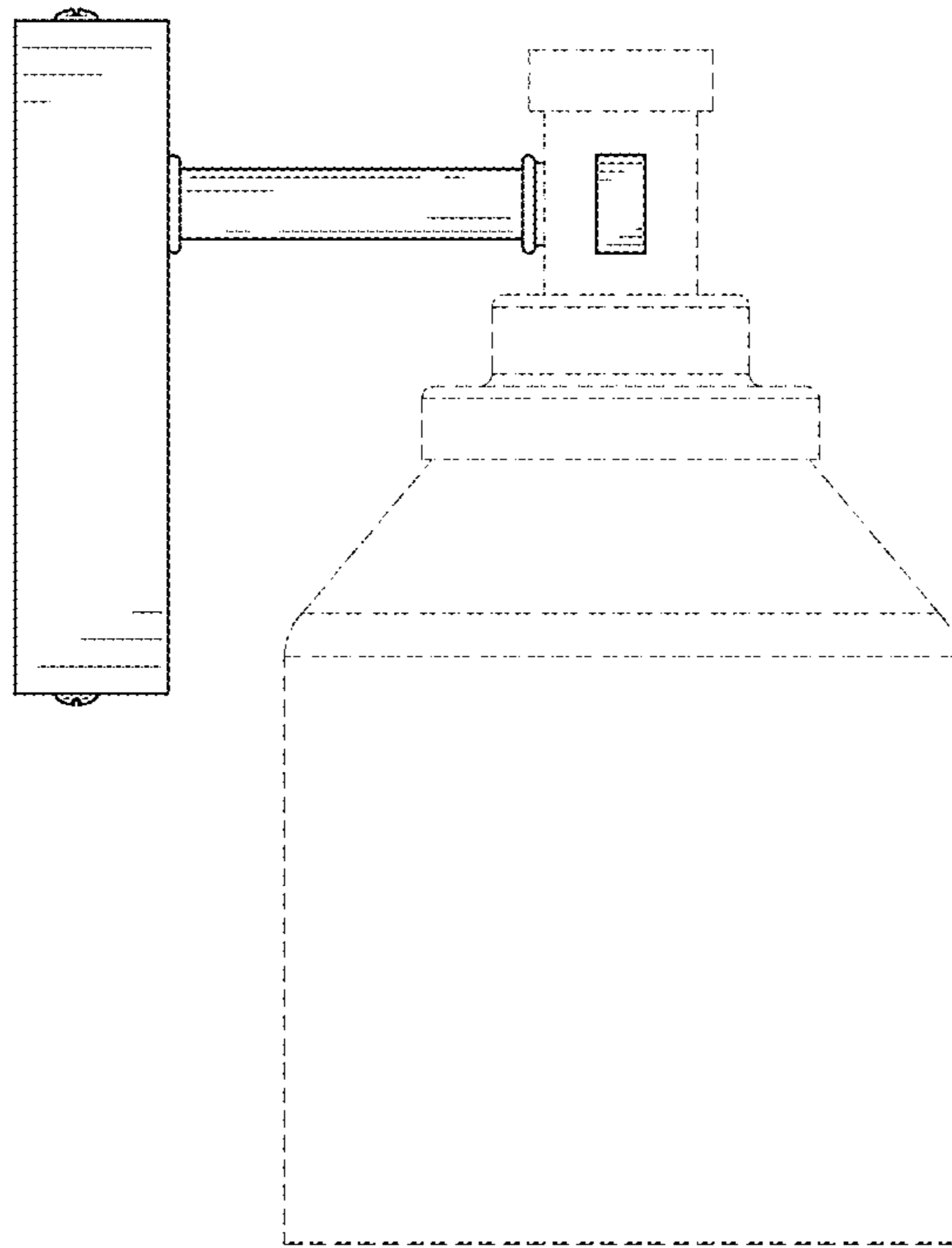


FIG. 6

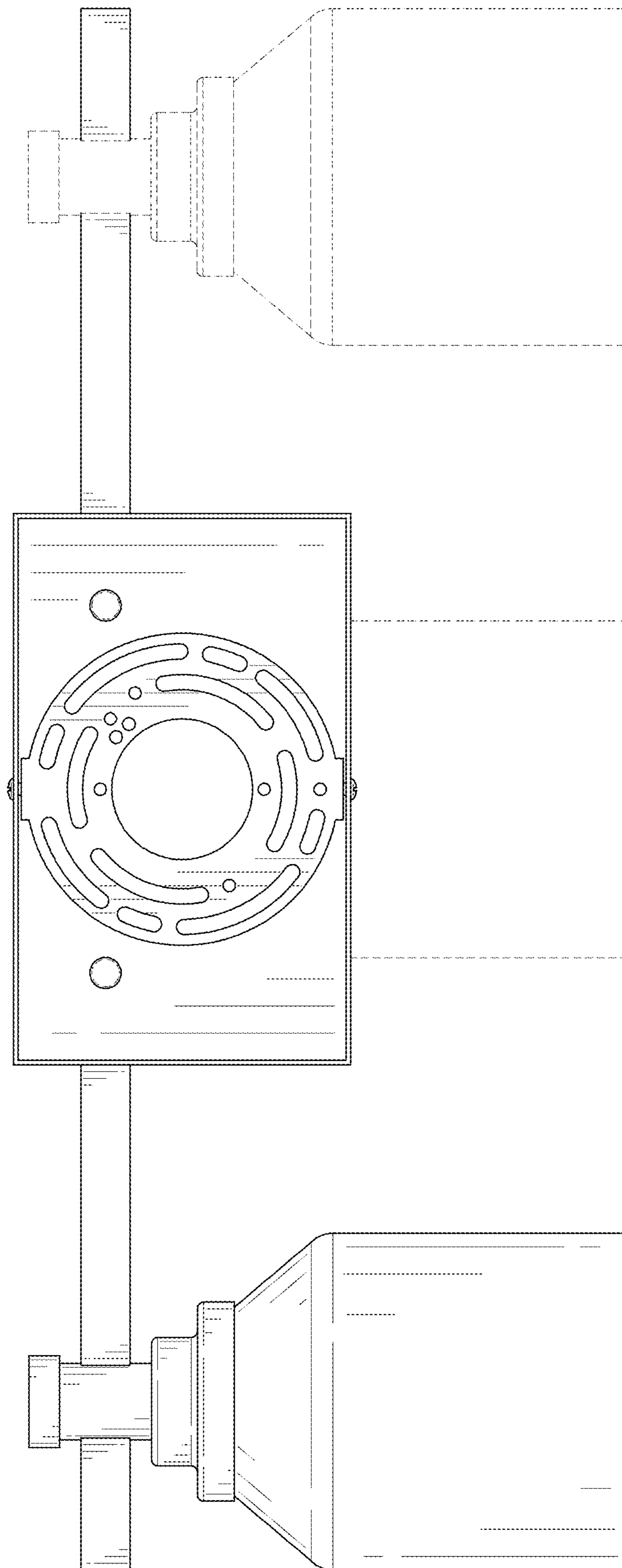


FIG. 7

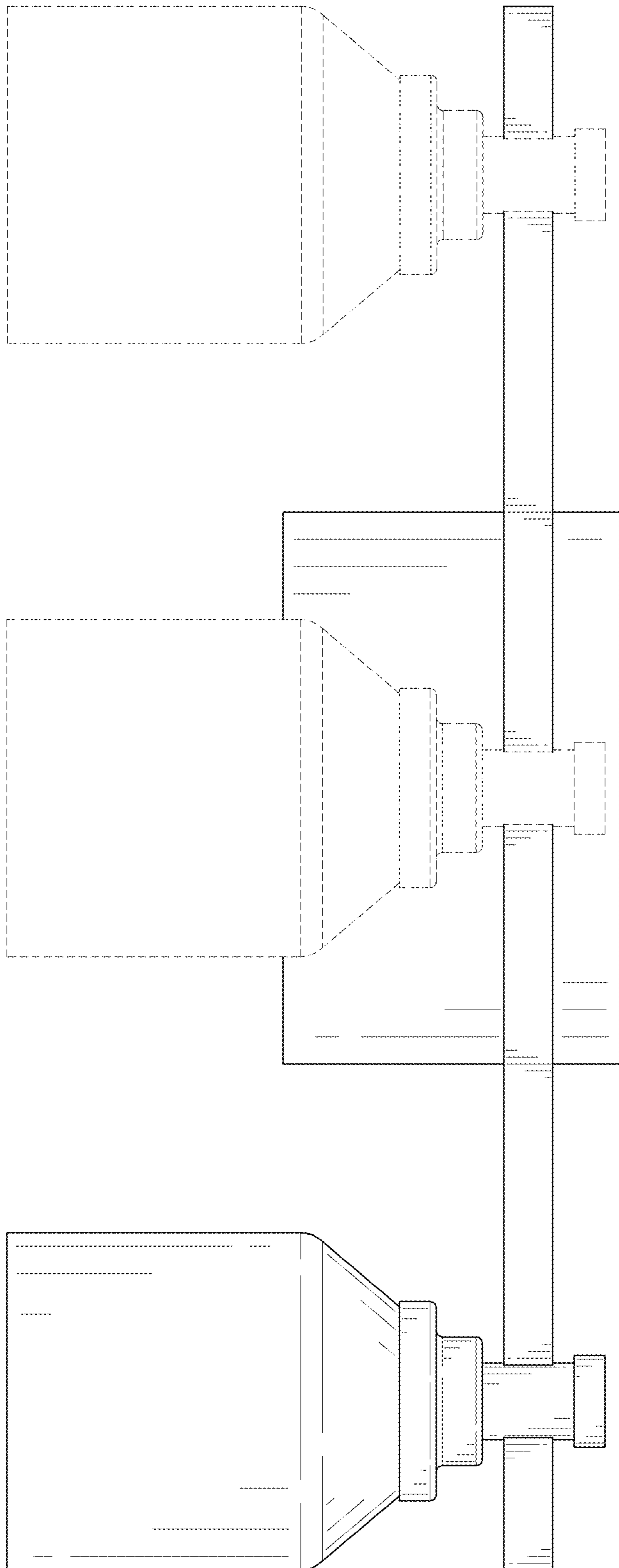


FIG. 8