



US00D913564S

(12) **United States Design Patent**
Glazer et al.

(10) **Patent No.:** **US D913,564 S**
(45) **Date of Patent:** **** Mar. 16, 2021**

(54) **LIGHT FIXTURE**

(71) Applicant: **Inter-Global, Inc.**, St. Louis, MO (US)

(72) Inventors: **Larry J. Glazer**, St. Louis, MO (US);
Wendell S. Dodson, St. Louis, MO (US)

(73) Assignee: **Inter-Global, Inc.**, St. Louis, MO (US)

(**) Term: **15 Years**

(21) Appl. No.: **29/736,715**

(22) Filed: **Jun. 2, 2020**

Related U.S. Application Data

(63) Continuation of application No. 16/435,635, filed on Jun. 10, 2019, now Pat. No. 10,670,203.

(51) **LOC (13) Cl.** **26-03**

(52) **U.S. Cl.**
USPC **D26/87**; D26/67

(58) **Field of Classification Search**
USPC D26/67, 72, 80, 85, 88, 87, 40, 41, 51, D26/92
CPC F21S 8/03; F21S 8/033; F21S 8/036; F21S 8/081; F21W 2111/02; F21W 2111/023; F21W 2131/109
See application file for complete search history.

(56) **References Cited**

U.S. PATENT DOCUMENTS

D208,941 S *	10/1967	Koziol	D26/67
D295,085 S *	4/1988	Culley	D26/51
D461,578 S *	8/2002	Cheong	D26/67
D511,393 S *	11/2005	Mandell	D26/67
D694,458 S *	11/2013	Yang	D26/85
D694,932 S *	12/2013	Meyer	D26/67
D772,463 S *	11/2016	Stern	D26/67

D807,551 S *	1/2018	Wiedemer	D26/67
10,670,203 B1 *	6/2020	Glazer	F21V 17/002
D892,383 S *	8/2020	McDennon	D26/87
D894,467 S *	8/2020	Xu	D26/88
2019/0203890 A1 *	7/2019	Moore	F21L 4/08

OTHER PUBLICATIONS

Craftmade ZA2415-TW Composite Lantern Outdoor Post available at amazon.com Mar. 6, 2019. (Year: 2019).*

(Continued)

Primary Examiner — Clare E Heflin

(74) *Attorney, Agent, or Firm* — Creativenture Law, LLC; Dennis J M Donahue, III; Kevin C. Staed

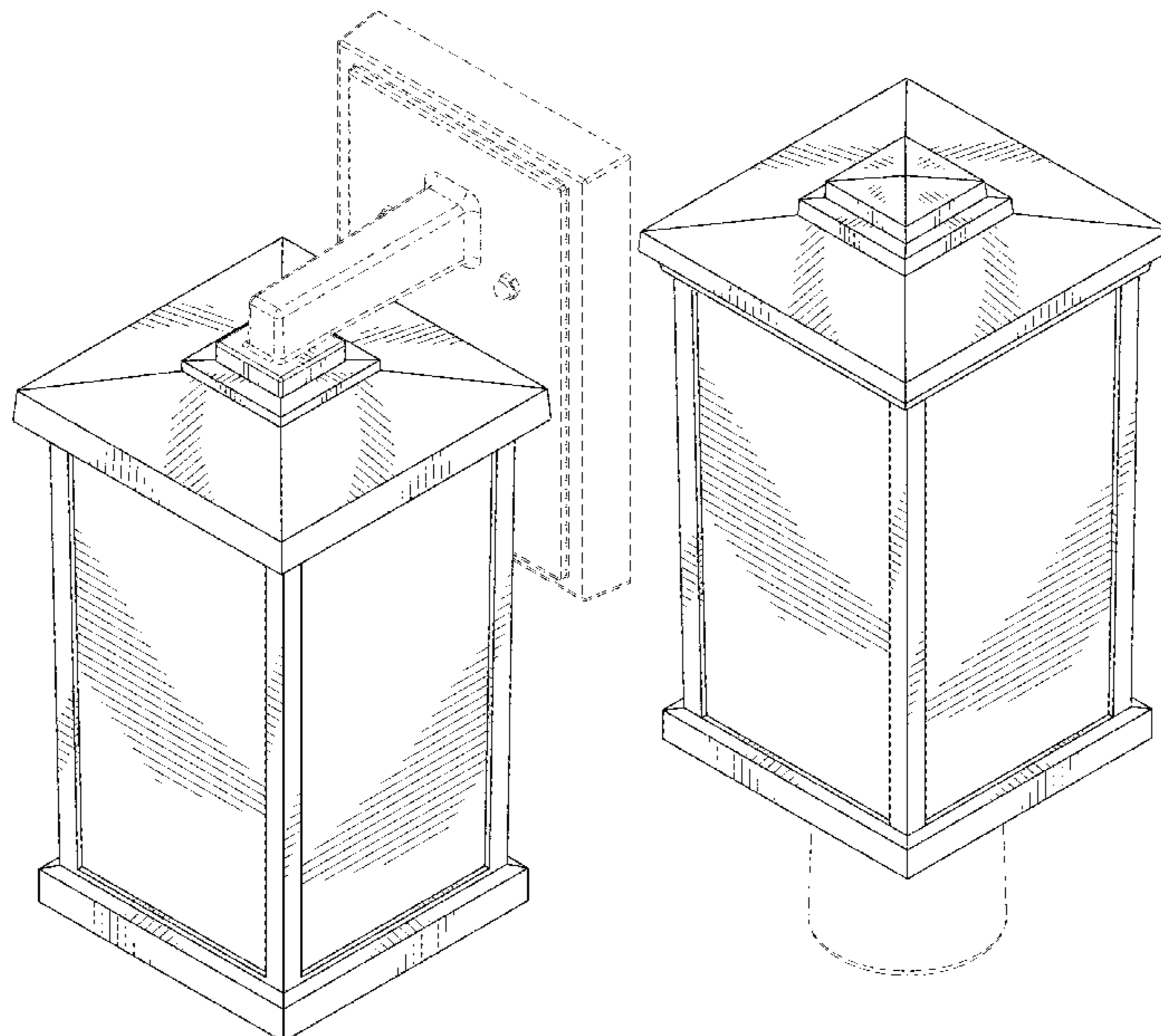
(57) **CLAIM**

The ornamental design for a light fixture, as shown and described.

DESCRIPTION

FIG. 1 is a front perspective view of a light fixture according to a first embodiment;
FIG. 2 is a front view thereof;
FIG. 3 is a back view thereof;
FIG. 4 is a left side view thereof;
FIG. 5 is a right side view thereof;
FIG. 6 is a top view thereof; and
FIG. 7 is a bottom view thereof.
FIG. 8 is a front perspective view of a light fixture according to a second embodiment;
FIG. 9 is a front view thereof;
FIG. 10 is a top view thereof; and
FIG. 11 is a bottom view thereof.
The right side view, left side view, and rear view of the second embodiment are substantially identical to the front view of the second embodiment. The dashed lines in the figures illustrate alternative mounting devices for the light fixture and form no part of the claimed design.

1 Claim, 9 Drawing Sheets



(56)

References Cited

OTHER PUBLICATIONS

Craftmade ZA2404-BZ Composite Lantern Outdoor Wall Sconce available at amazon.com Dec. 19, 2019. (Year: 2019).*

Chloe Transitional 1-lightBlack Outdoor Wall Lantern available at overstock.com as early as Aug. 25, 2016. (Year: 2016).*

Gruenlich Outdoor Post Lighting Fixture available at amazon.com Nov. 5, 2019. (Year: 2019).*

* cited by examiner

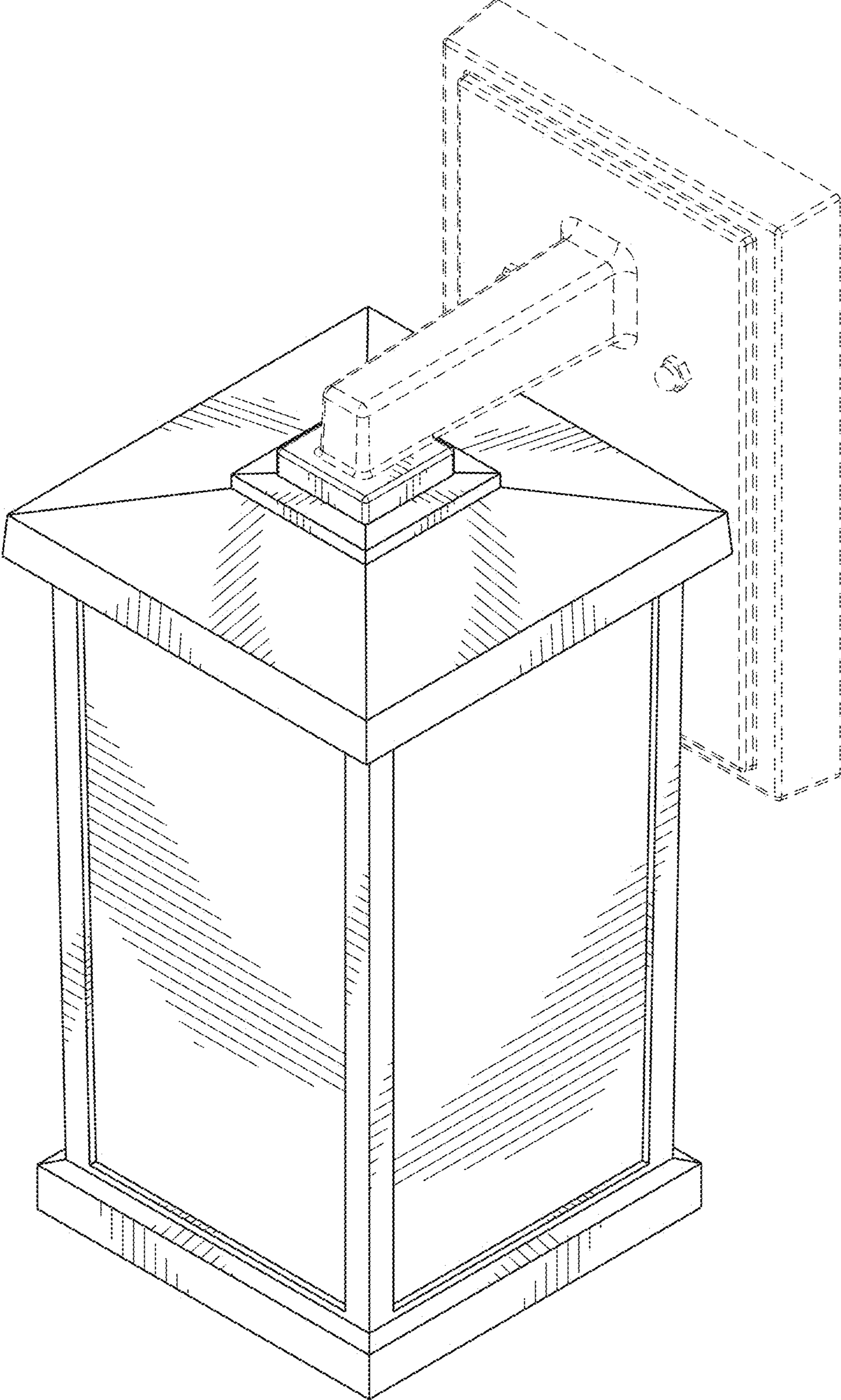


FIG. 1

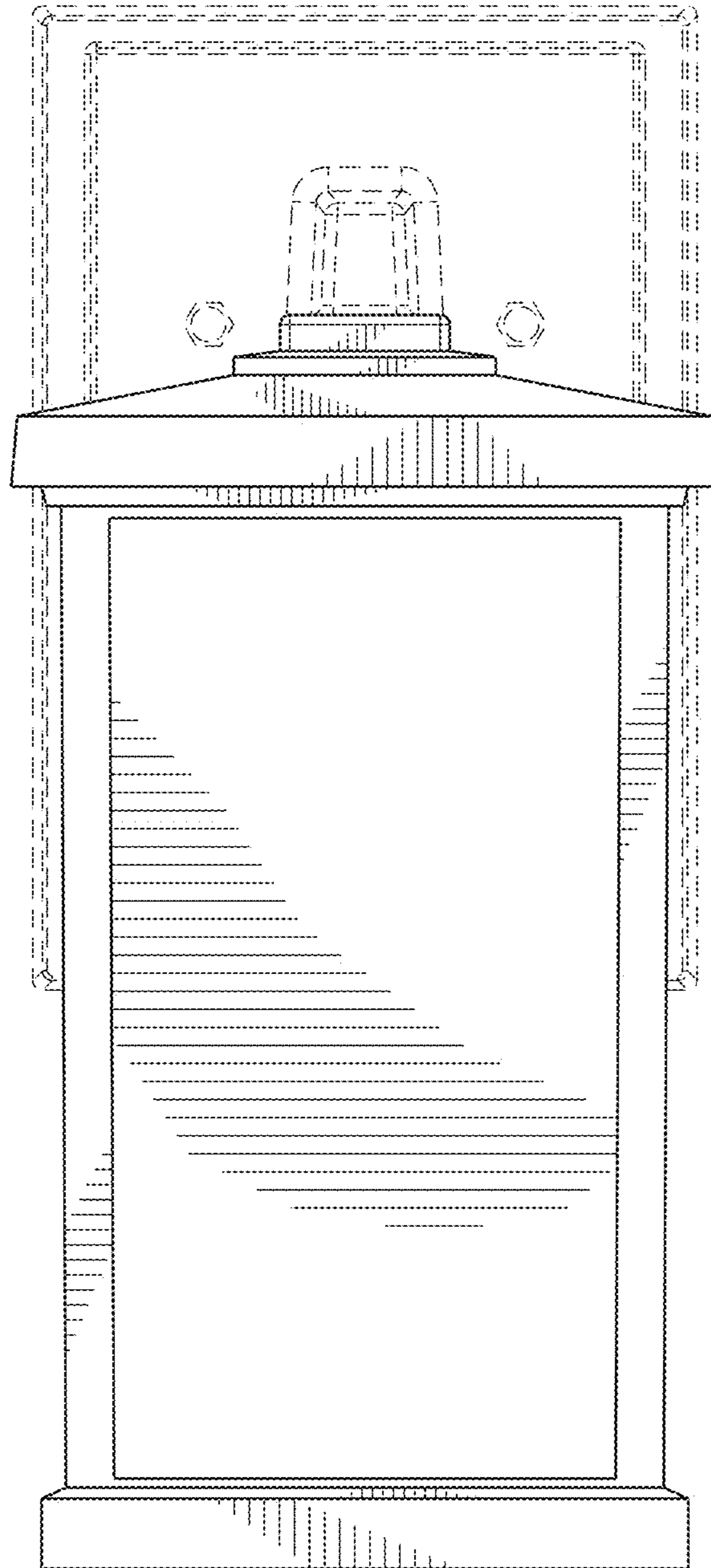


FIG. 2

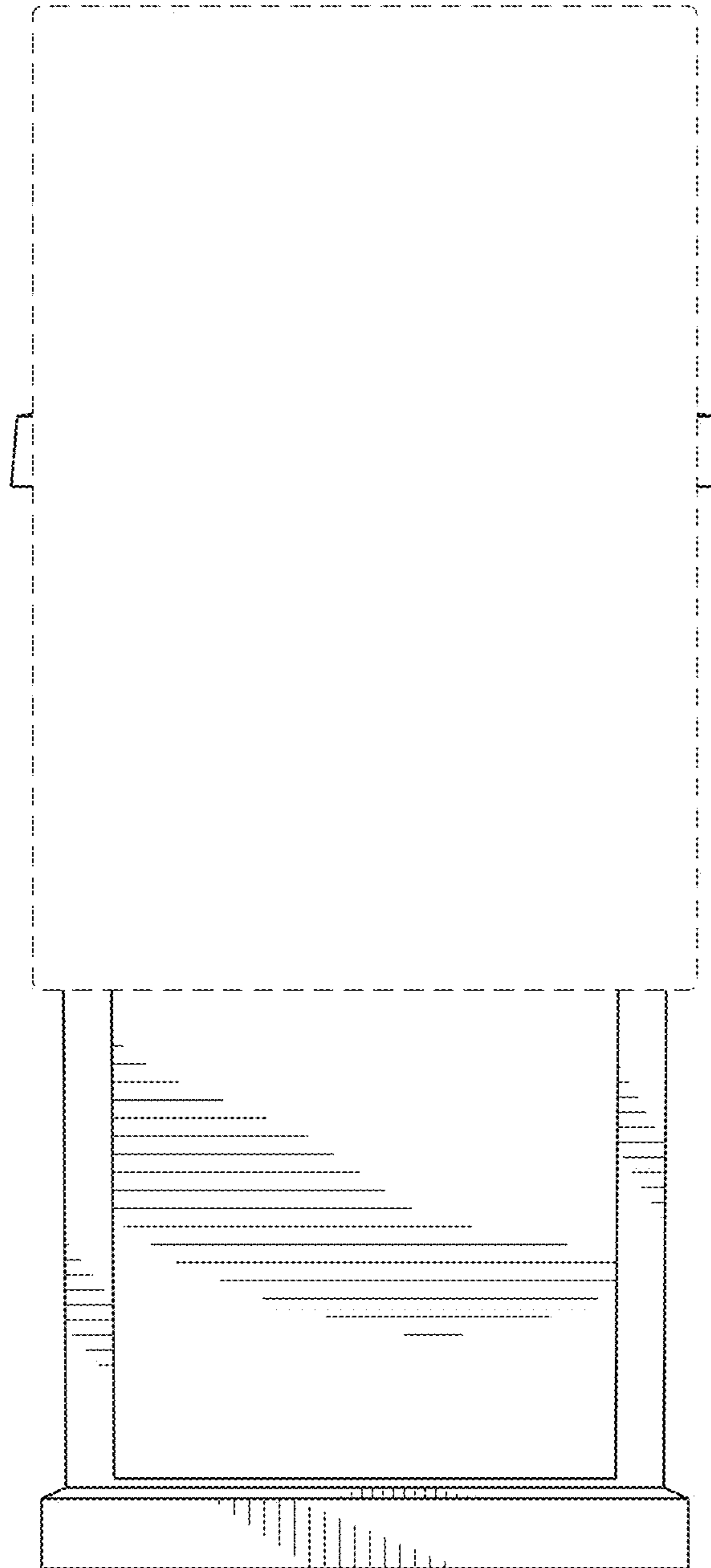


FIG. 3

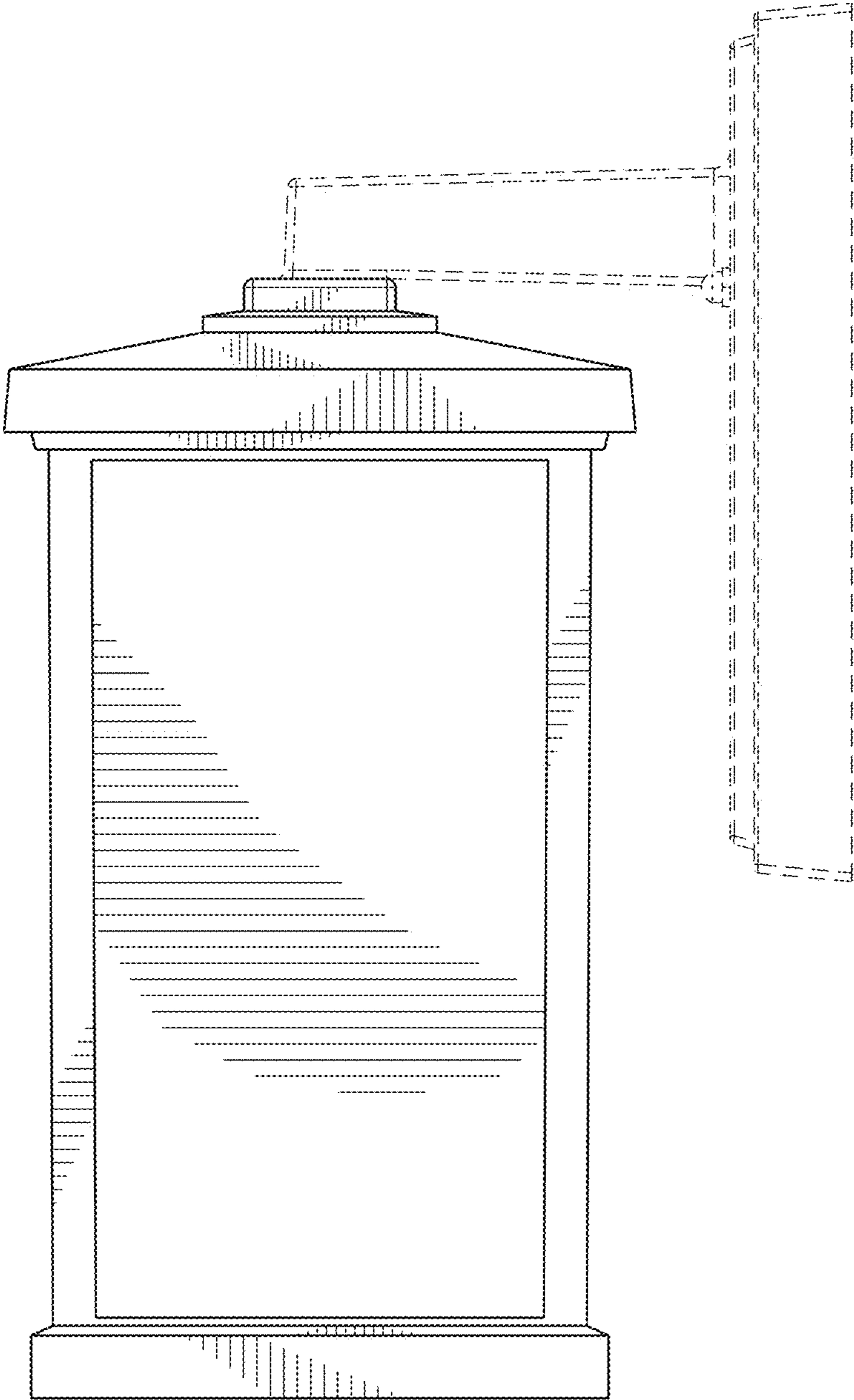


FIG. 4

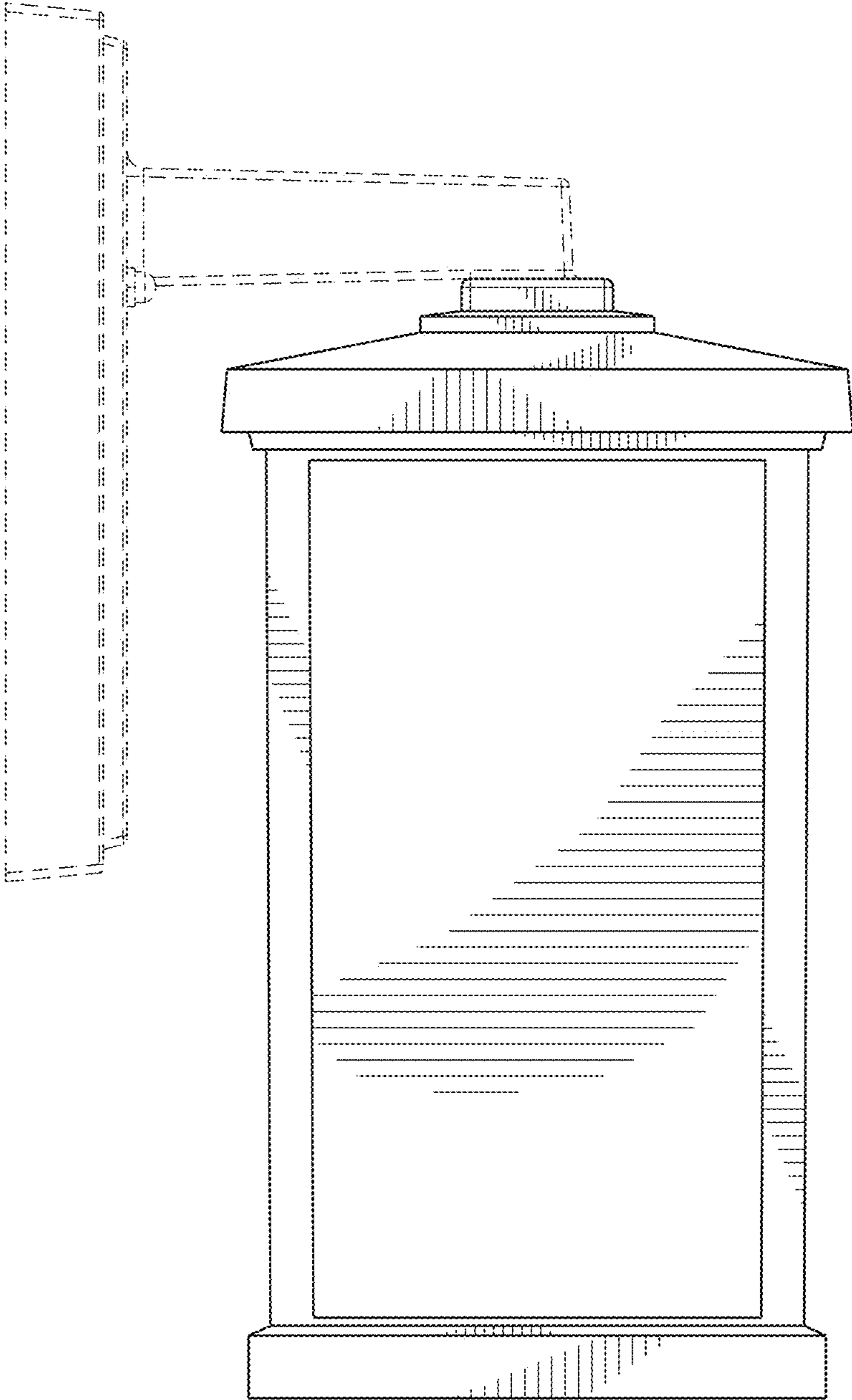


FIG. 5

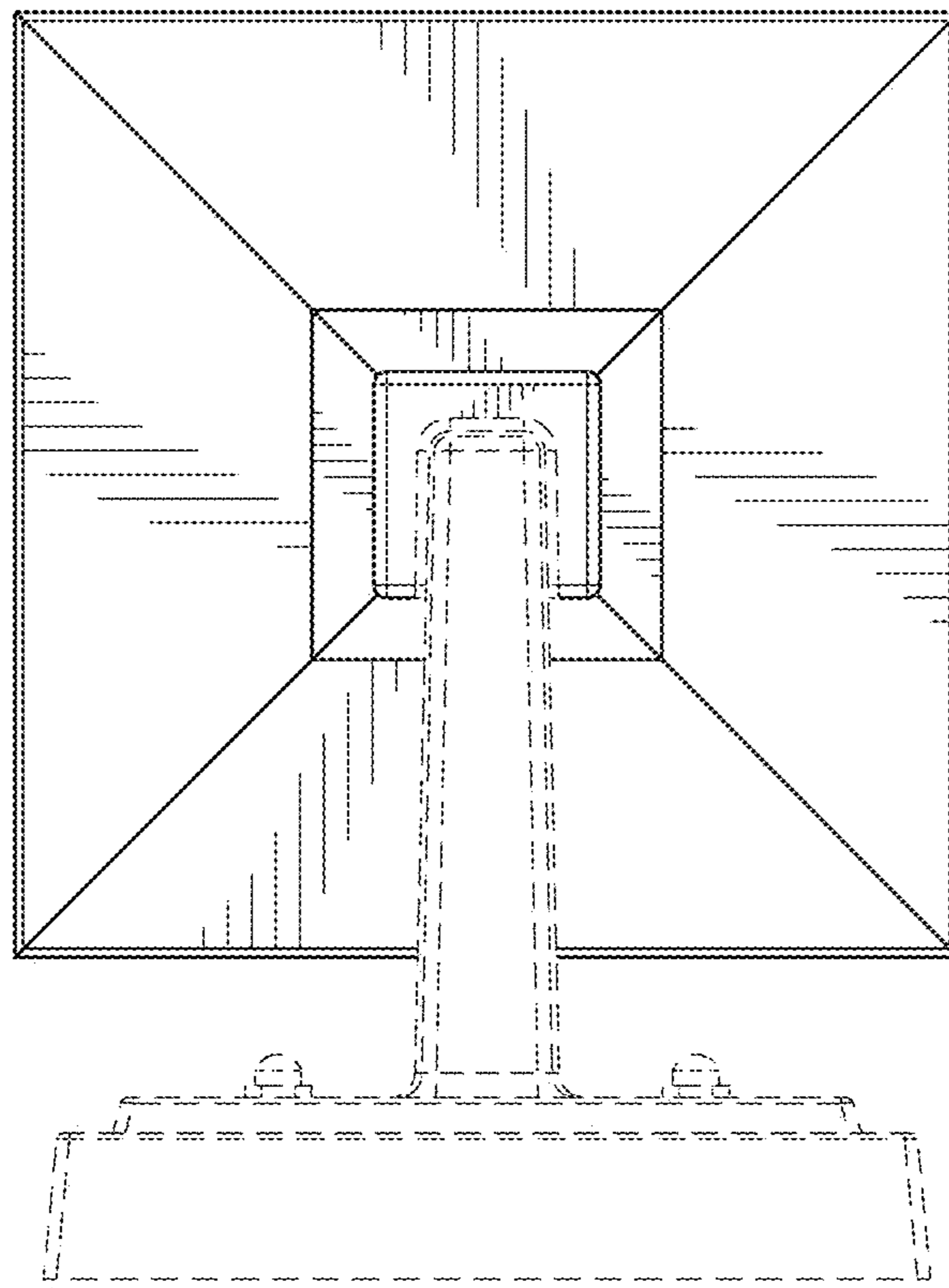


FIG. 6

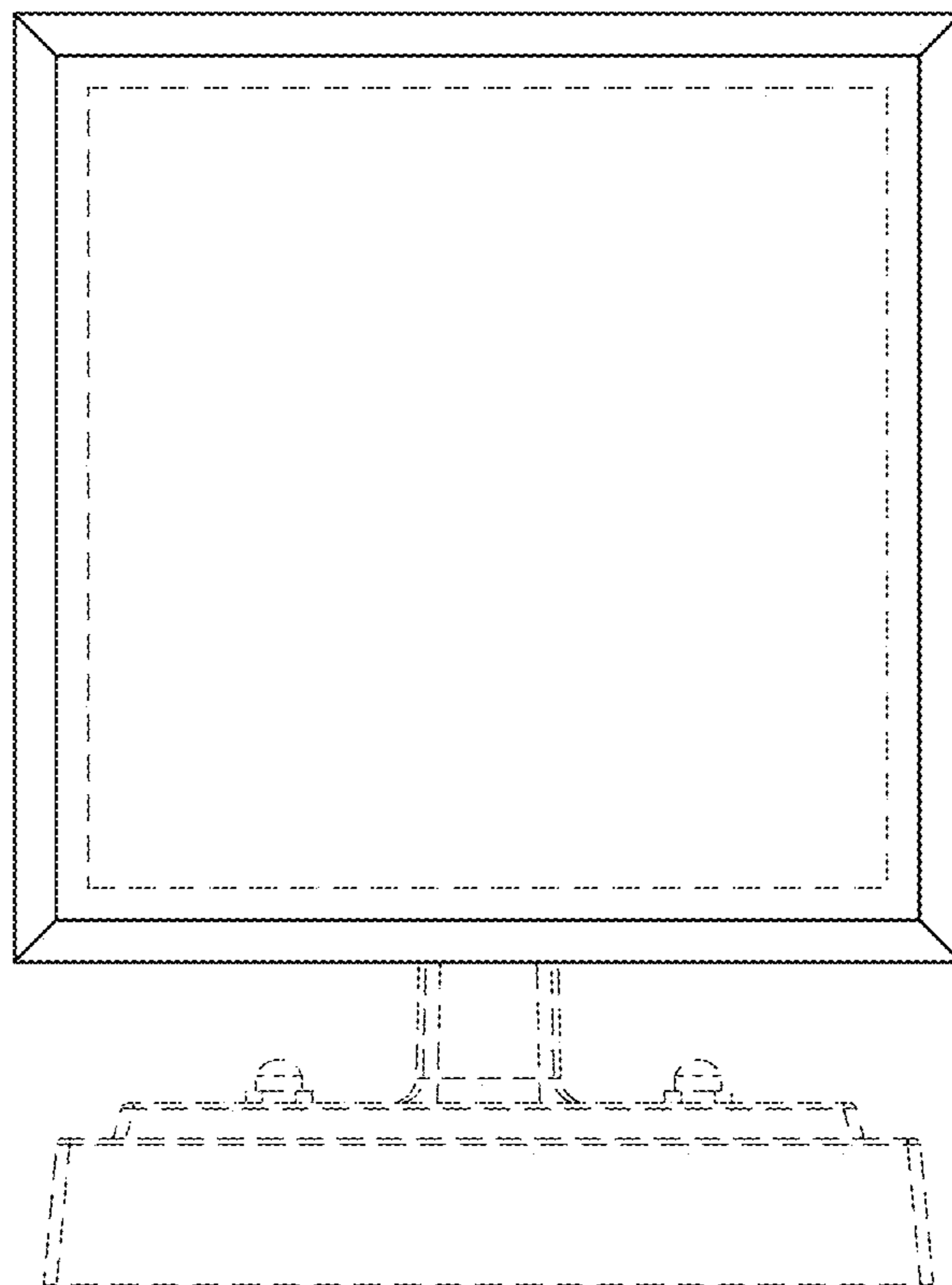


FIG. 7

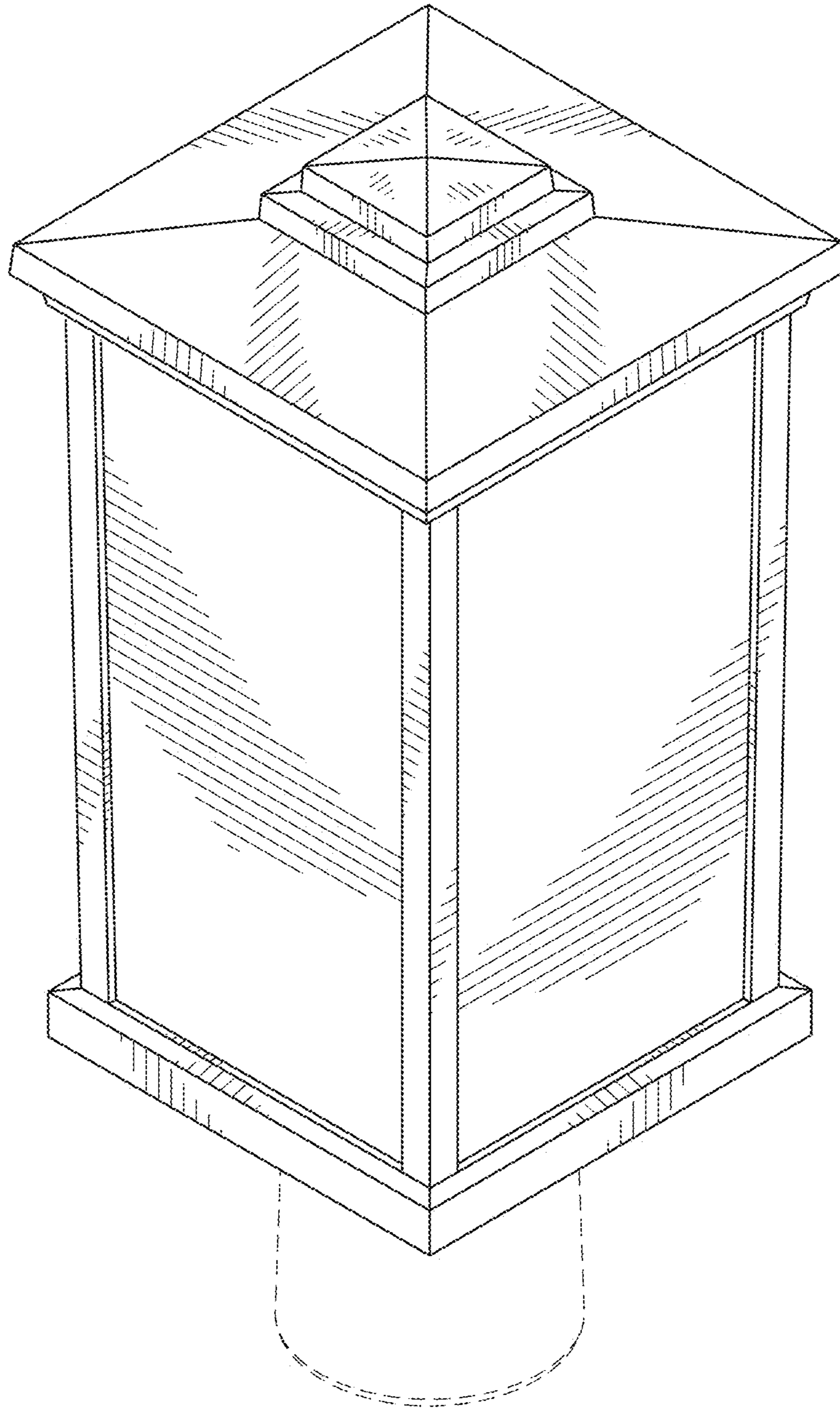


FIG. 8

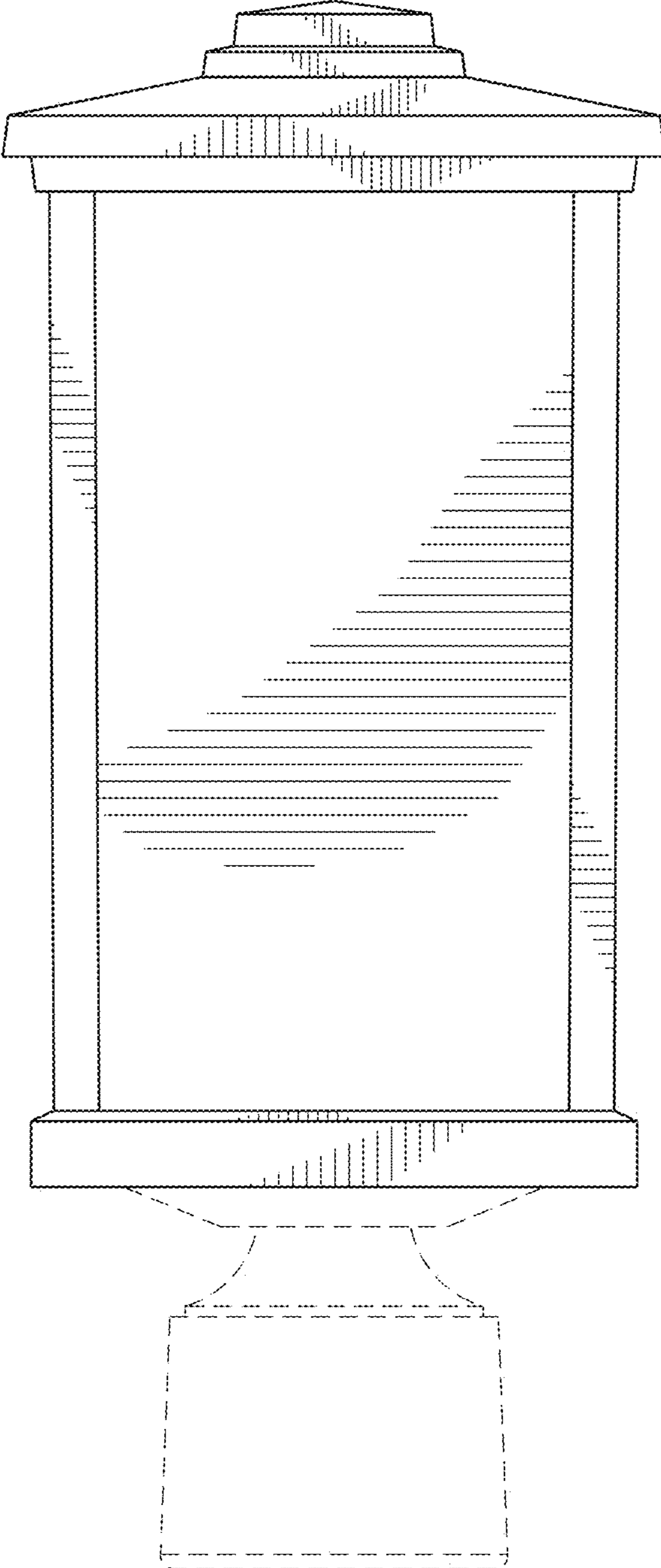


FIG. 9

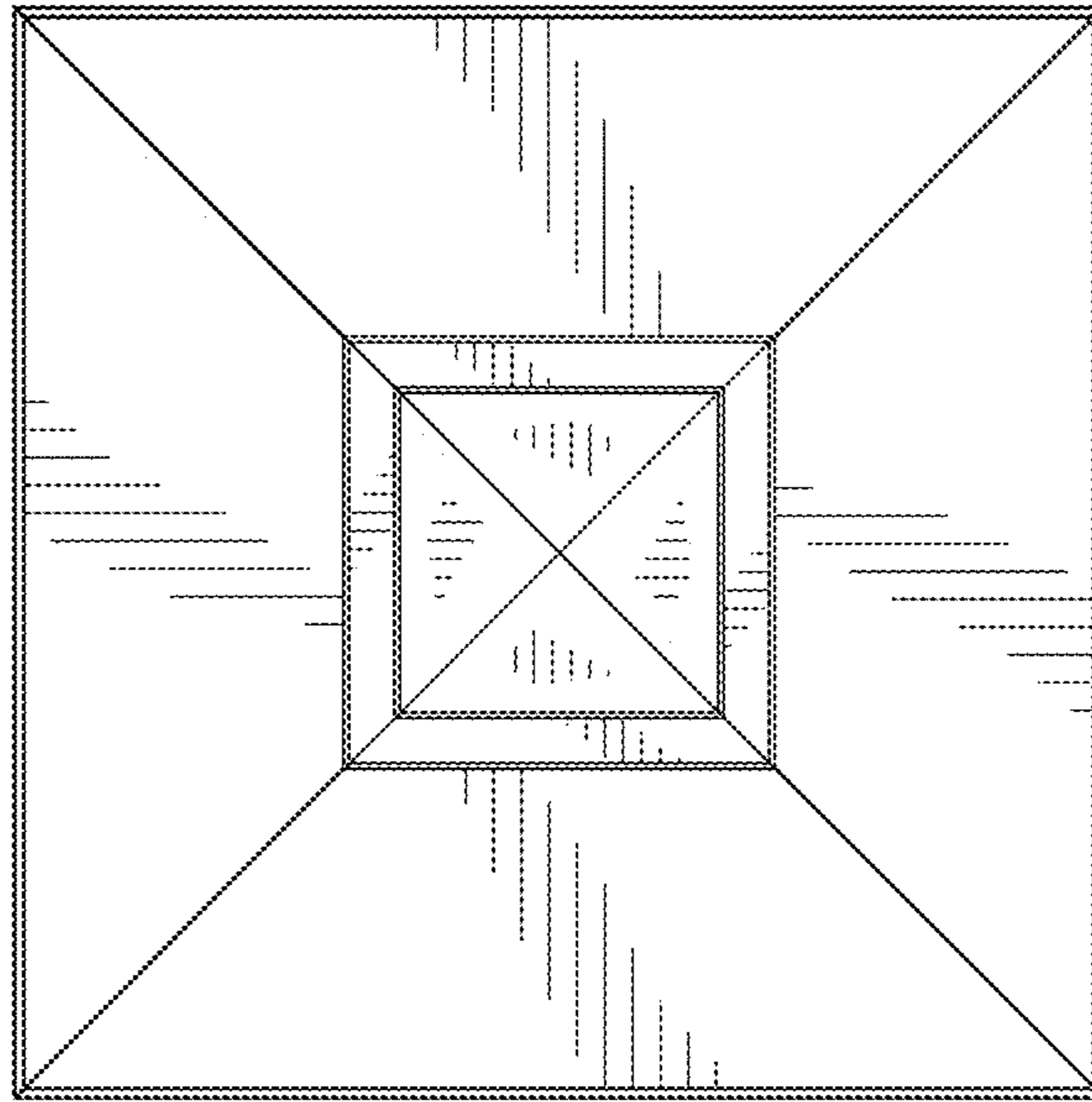


FIG. 10

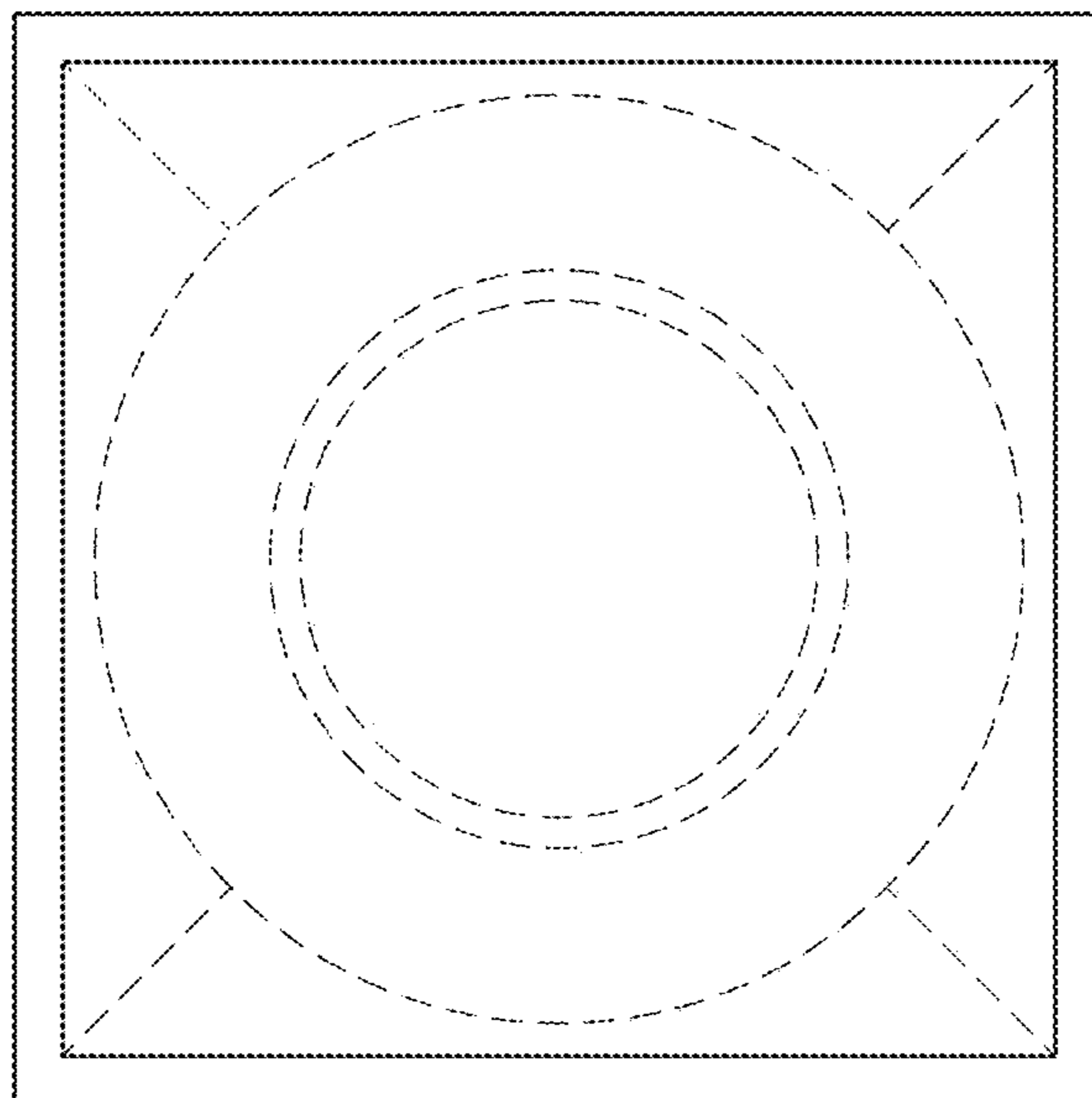


FIG. 11