



US00D913563S

(12) **United States Design Patent**  
**Glazer et al.**

(10) **Patent No.:** **US D913,563 S**  
(45) **Date of Patent:** **\*\* Mar. 16, 2021**

- (54) **LIGHT FIXTURE**
- (71) Applicant: **Inter-Global, Inc.**, St. Louis, MO (US)
- (72) Inventors: **Larry J. Glazer**, St. Louis, MO (US);  
**Wendell S. Dodson**, St. Louis, MO (US)
- (73) Assignee: **Inter-Global, Inc.**, St. Louis, MO (US)
- (\*\*) Term: **15 Years**
- (21) Appl. No.: **29/736,709**
- (22) Filed: **Jun. 2, 2020**

**Related U.S. Application Data**

- (63) Continuation of application No. 16/435,635, filed on Jun. 10, 2019, now Pat. No. 10,670,203.
- (51) **LOC (13) Cl.** ..... **26-03**
- (52) **U.S. Cl.**  
USPC ..... **D26/87**; D26/67
- (58) **Field of Classification Search**  
USPC ..... D26/67, 72, 80, 85, 88, 87, 40, 41, 51, D26/92  
CPC .... F21S 8/03; F21S 8/033; F21S 8/036; F21S 8/081; F21W 2111/02; F21W 2111/023; F21W 2131/109  
See application file for complete search history.

(56) **References Cited**

**U.S. PATENT DOCUMENTS**

D445,209 S *	7/2001	Chen	.....	D26/72
D461,578 S *	8/2002	Cheong	.....	D26/67
D468,853 S *	1/2003	Chang	.....	D26/67
D477,683 S *	7/2003	Cheong	.....	D26/67
D485,930 S *	1/2004	Chen	.....	D26/67
D488,576 S *	4/2004	Chen	.....	D26/67
D564,690 S *	3/2008	Chung	.....	D26/67
D625,874 S *	10/2010	Sanoner	.....	D26/67
D640,407 S *	6/2011	Chen	.....	D26/67
D694,938 S *	12/2013	Dolan	.....	D26/87

D822,867 S *	7/2018	Chen	.....	D26/67
D887,612 S *	6/2020	Hollinger	.....	D26/67
10,670,203 B1 *	6/2020	Glazer	.....	F21V 17/002

**OTHER PUBLICATIONS**

1 Light Outdoor Wall Lantern by Craftmade Lighting, available at amazon.com, visited Oct. 22, 2020. (Year: 2020).\*

Port Royal Collection One-Light Small Wall Lantern by Progress Lighting available at overstock.com, visited Oct. 22, 2020. (Year: 2020).\*

\* cited by examiner

*Primary Examiner* — Clare E Heflin

(74) *Attorney, Agent, or Firm* — Creativenture Law, LLC; Dennis J M Donahue, III; Kevin C. Staed

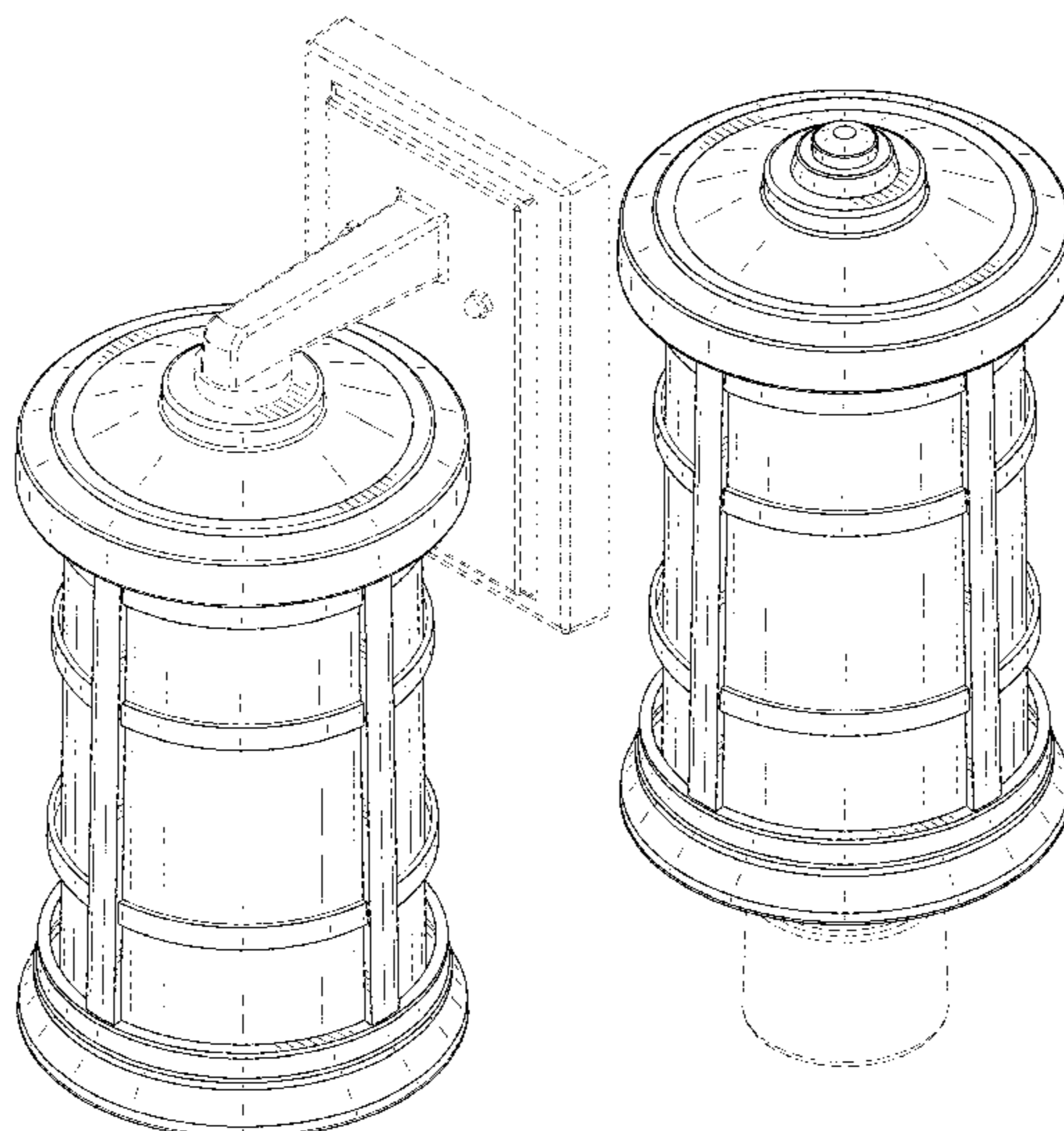
(57) **CLAIM**

The ornamental design for a light fixture, as shown and described.

**DESCRIPTION**

FIG. 1 is a front perspective view of a light fixture according to a first embodiment;  
 FIG. 2 is a front view thereof;  
 FIG. 3 is a back view thereof;  
 FIG. 4 is a left side view thereof;  
 FIG. 5 is a right side view thereof;  
 FIG. 6 is a top view thereof; and  
 FIG. 7 is a bottom view thereof.  
 FIG. 8 is a front perspective view of a light fixture according to a second embodiment;  
 FIG. 9 is a front view thereof;  
 FIG. 10 is a top view thereof; and  
 FIG. 11 is a bottom view thereof.  
 The right side view, left side view, and rear view of the second embodiment are substantially identical to the front view of the second embodiment. The dashed lines in the figures illustrate alternative mounting devices for the light fixture and form no part of the claimed design.

**1 Claim, 9 Drawing Sheets**



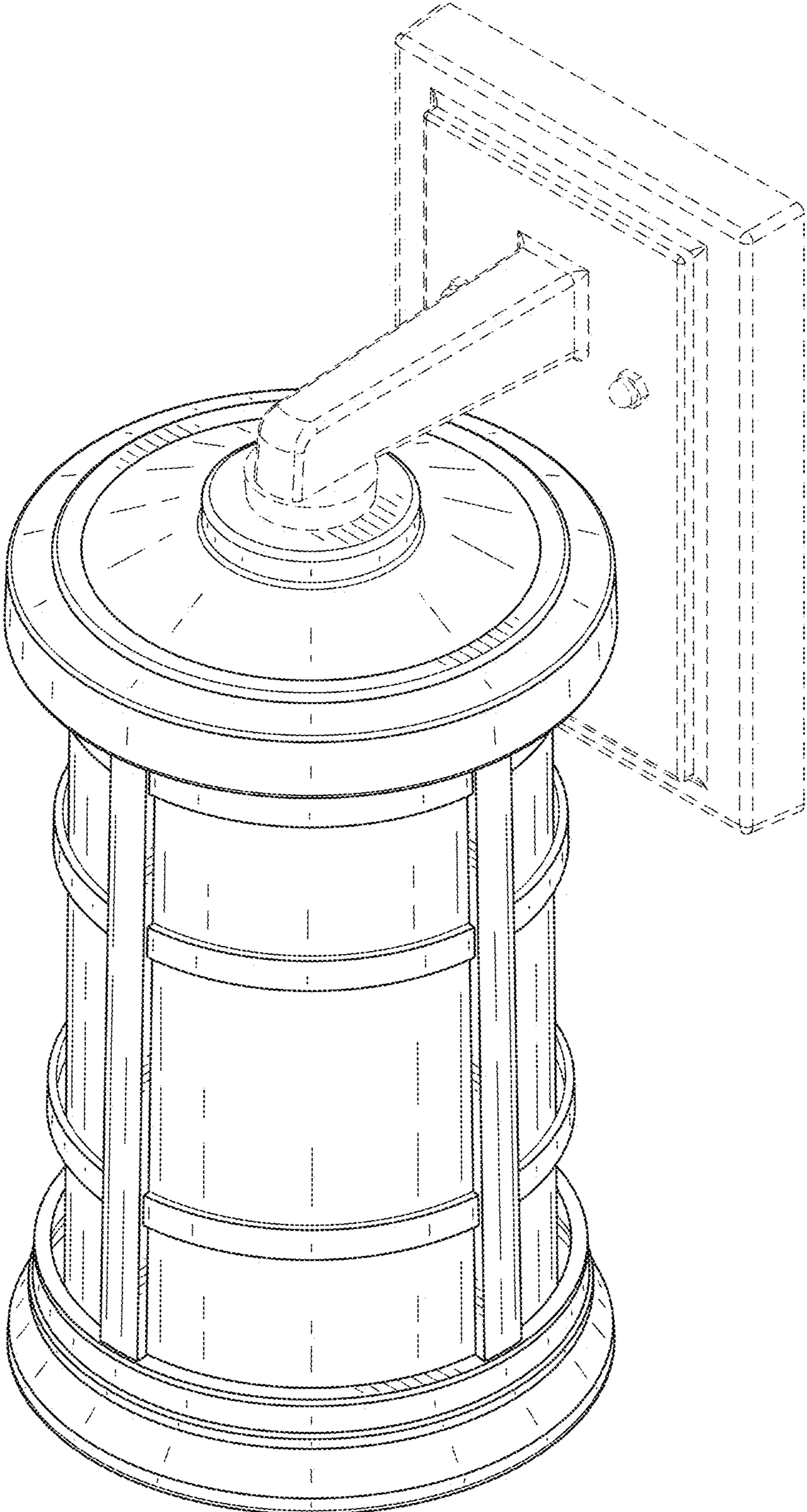


FIG. 1

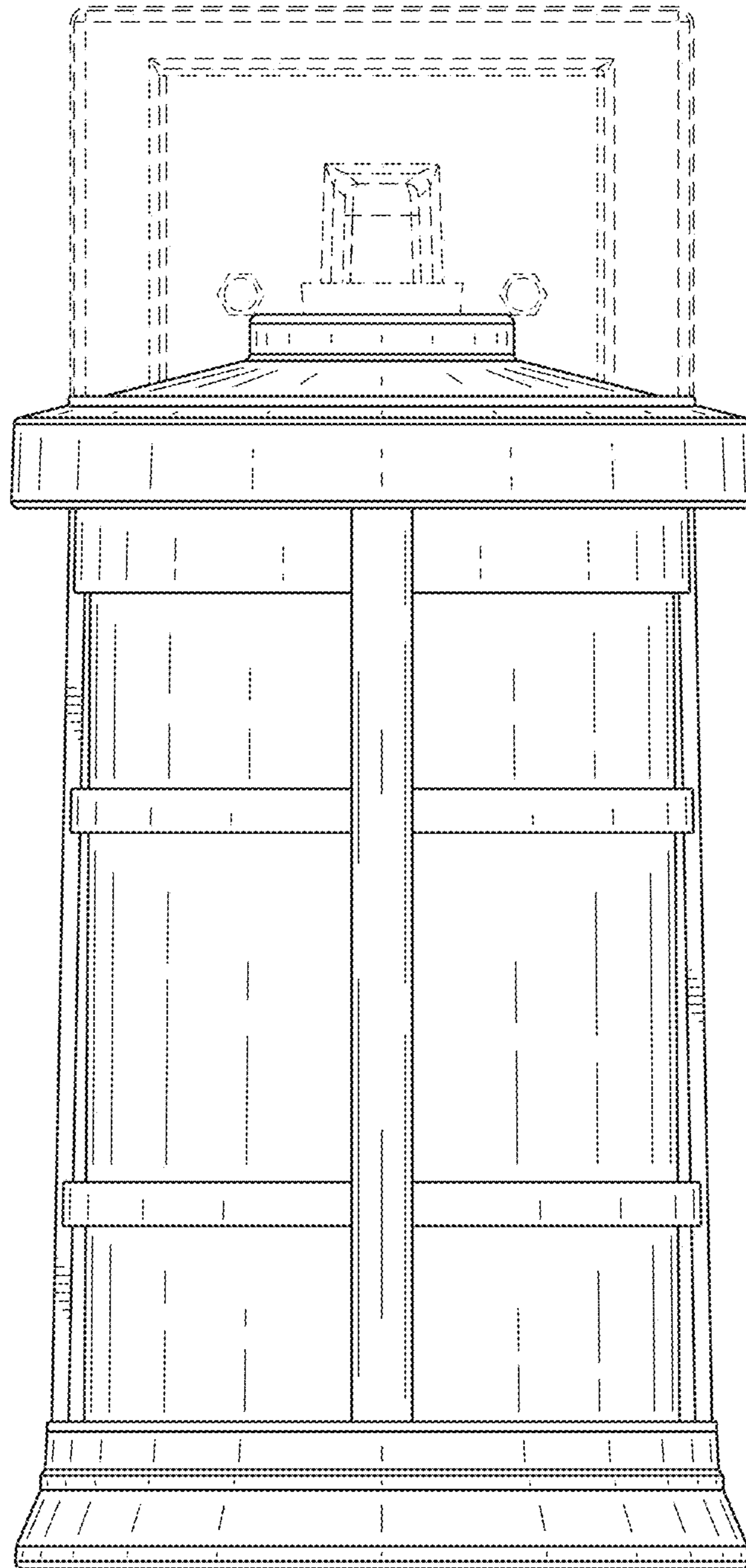


FIG. 2

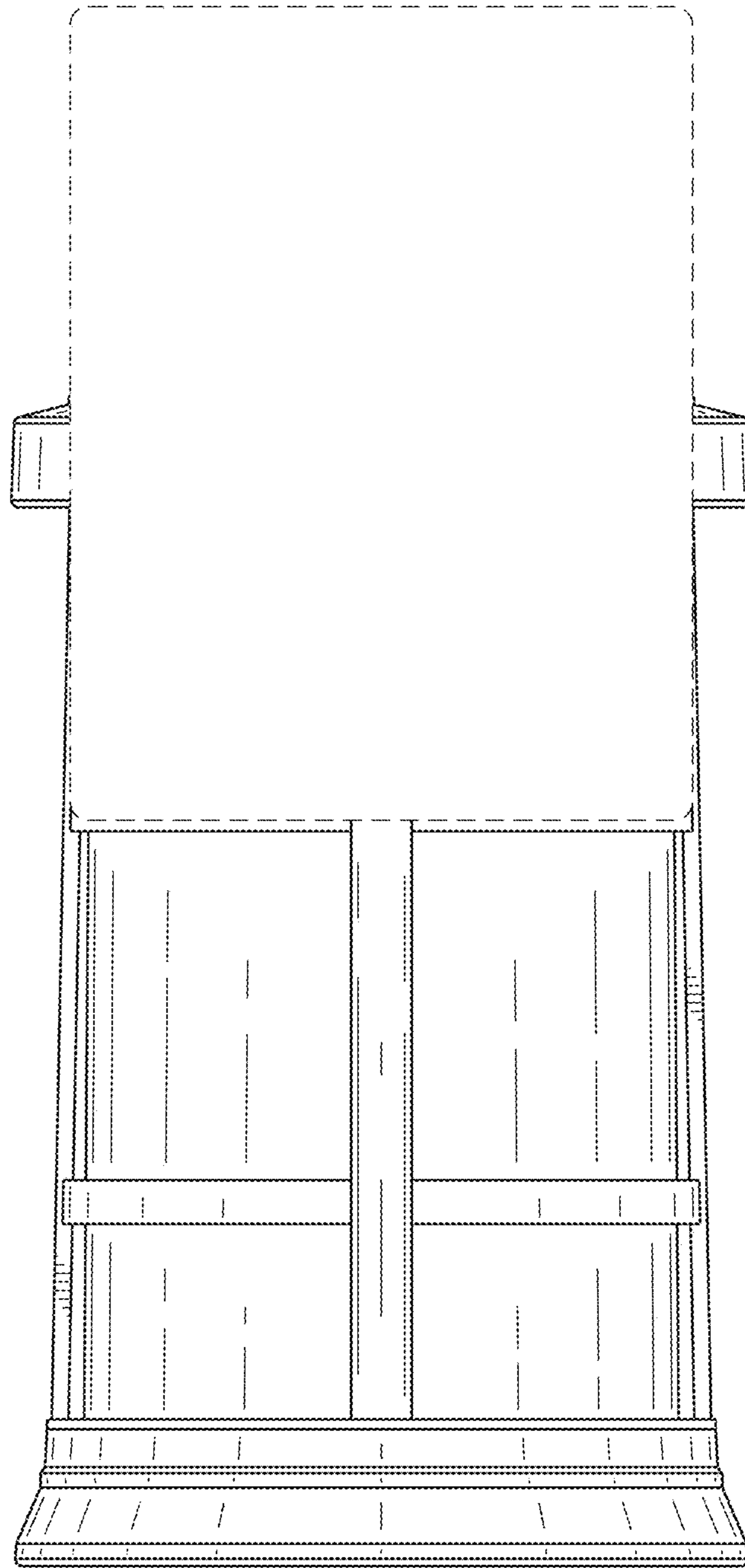


FIG. 3

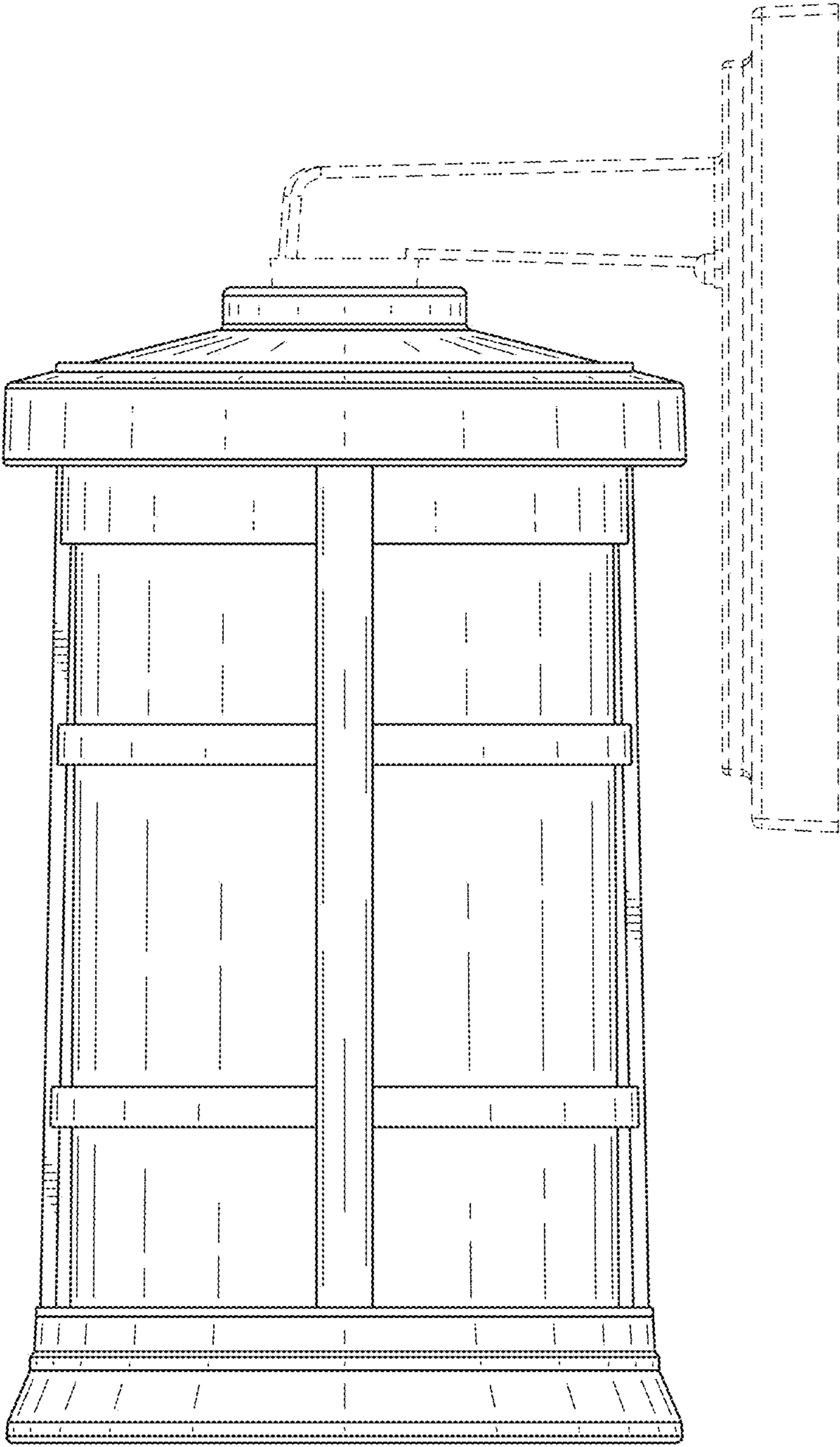


FIG. 4

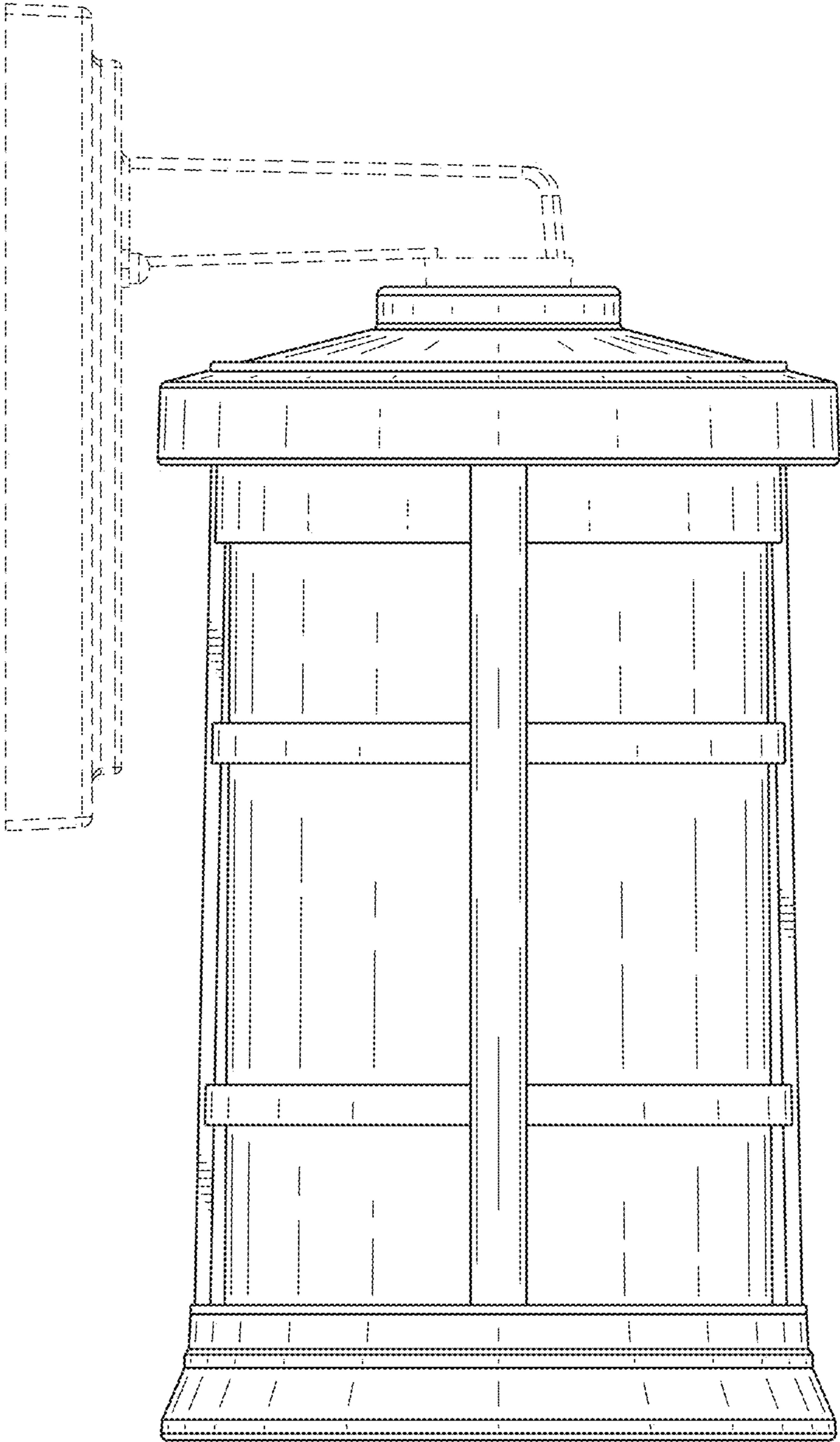


FIG. 5

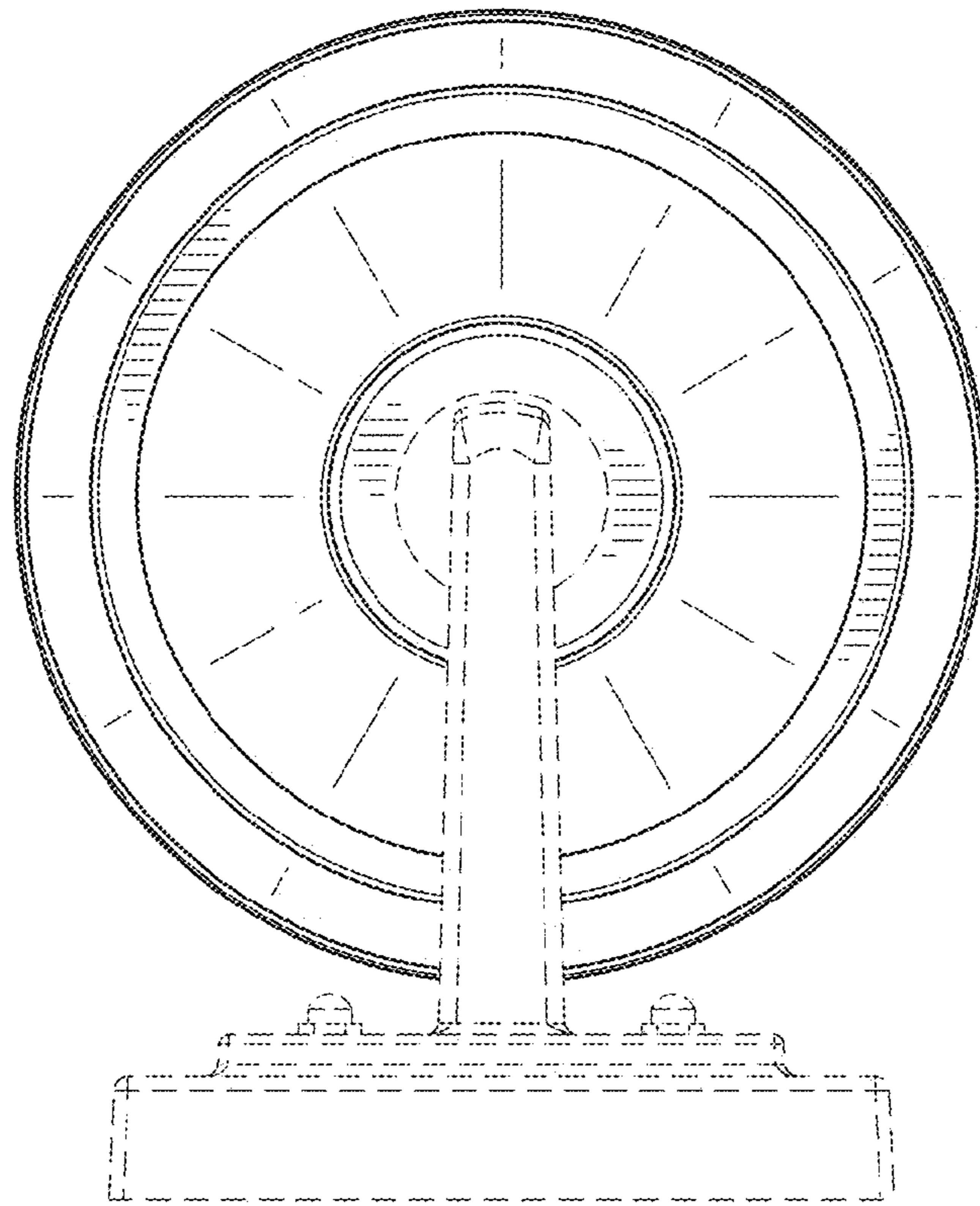


FIG. 6

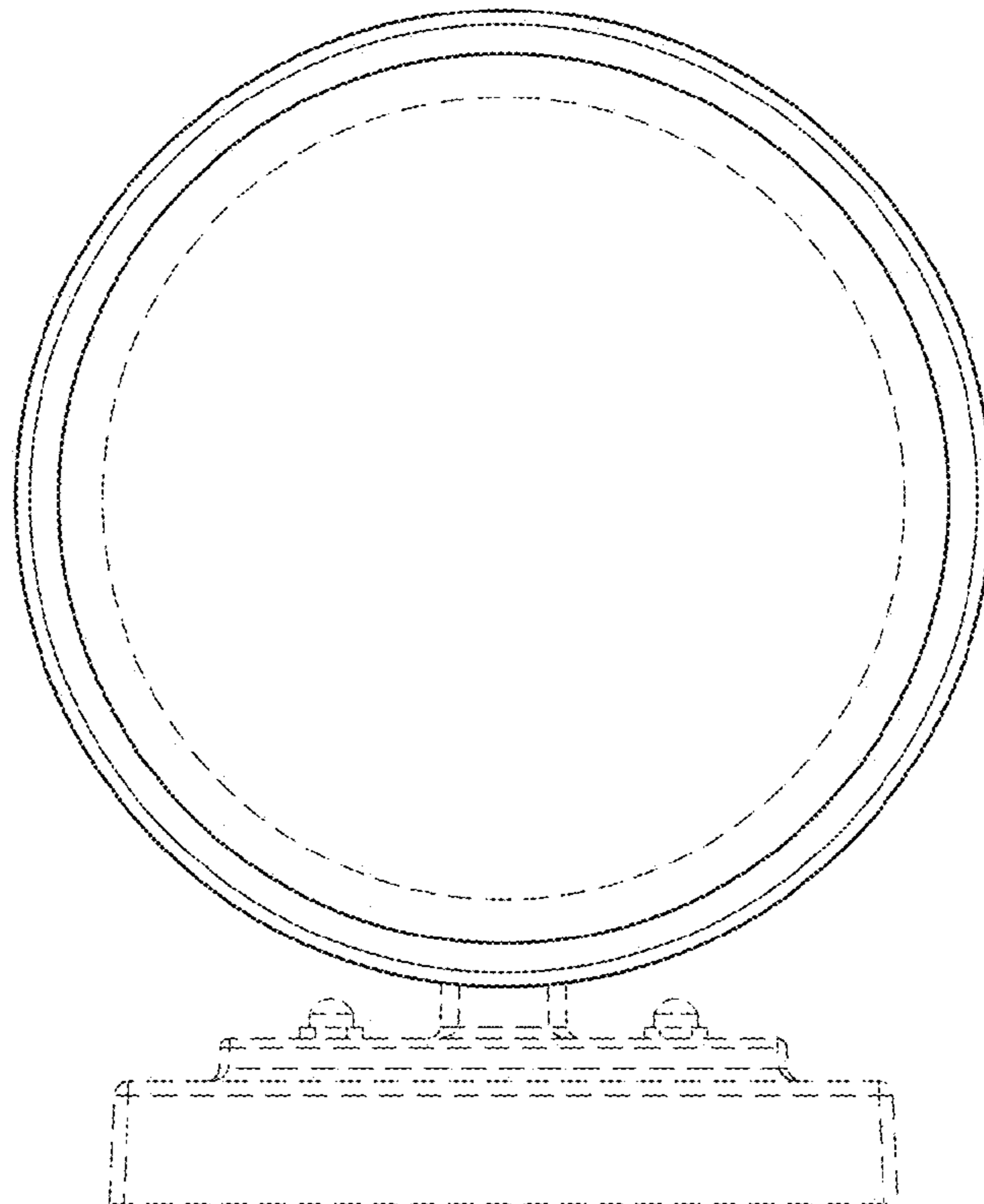


FIG. 7

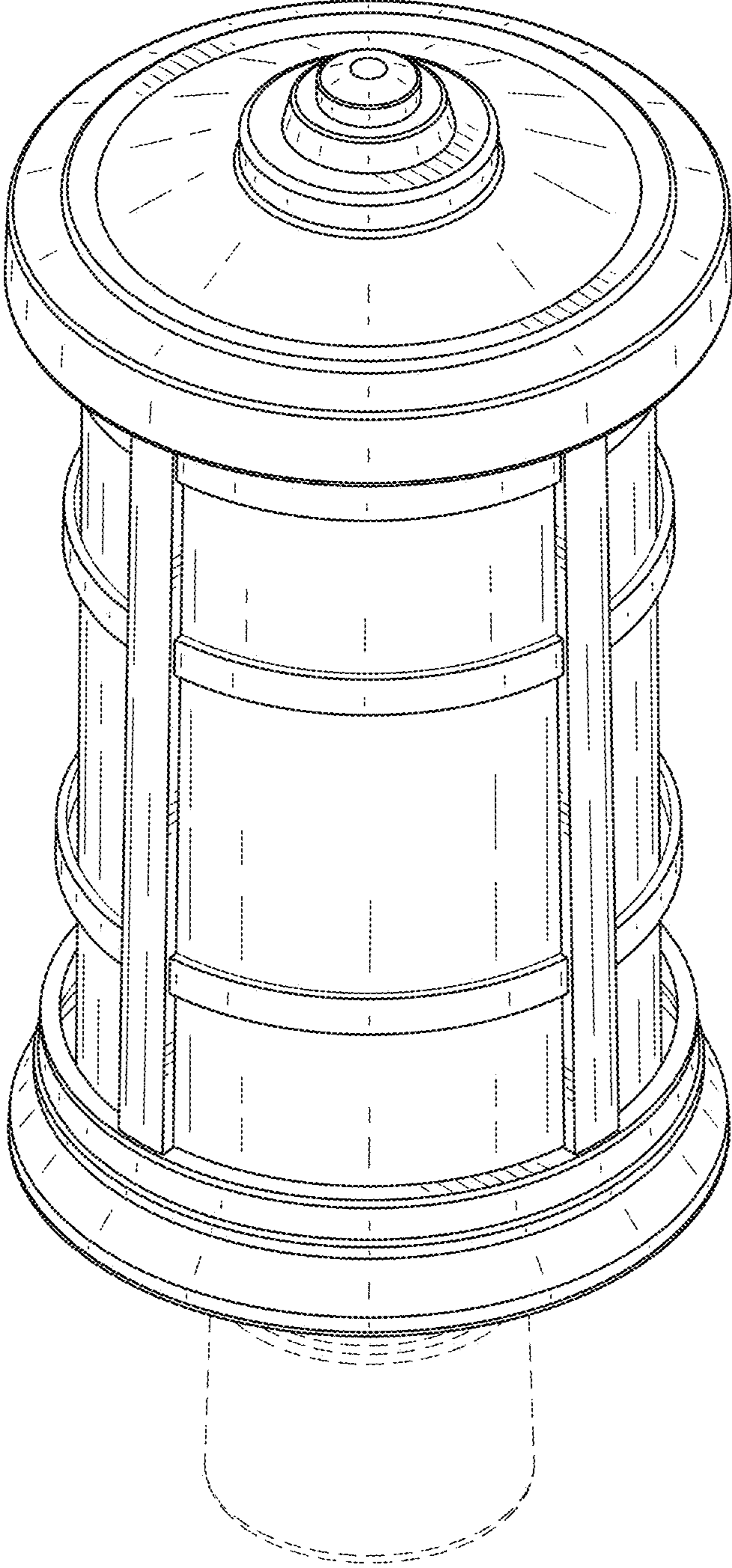


FIG. 8



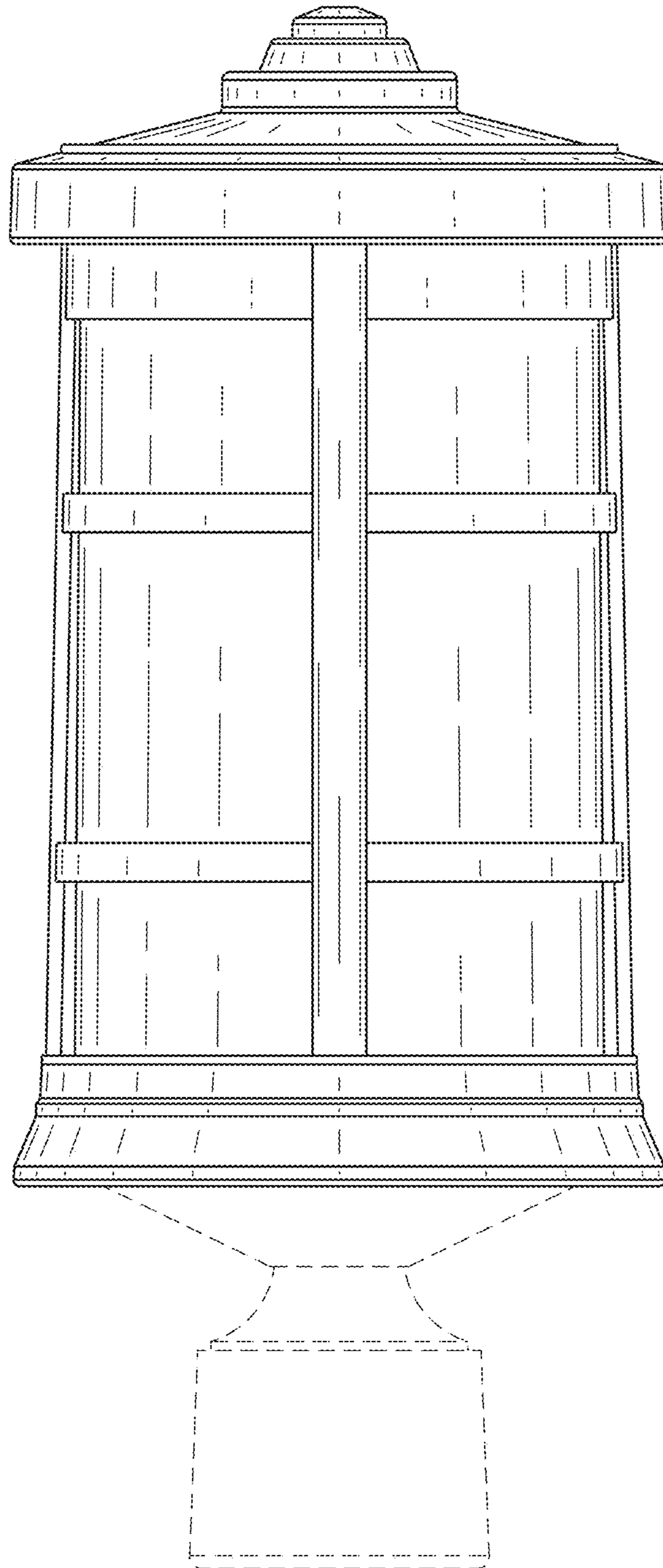


FIG. 9

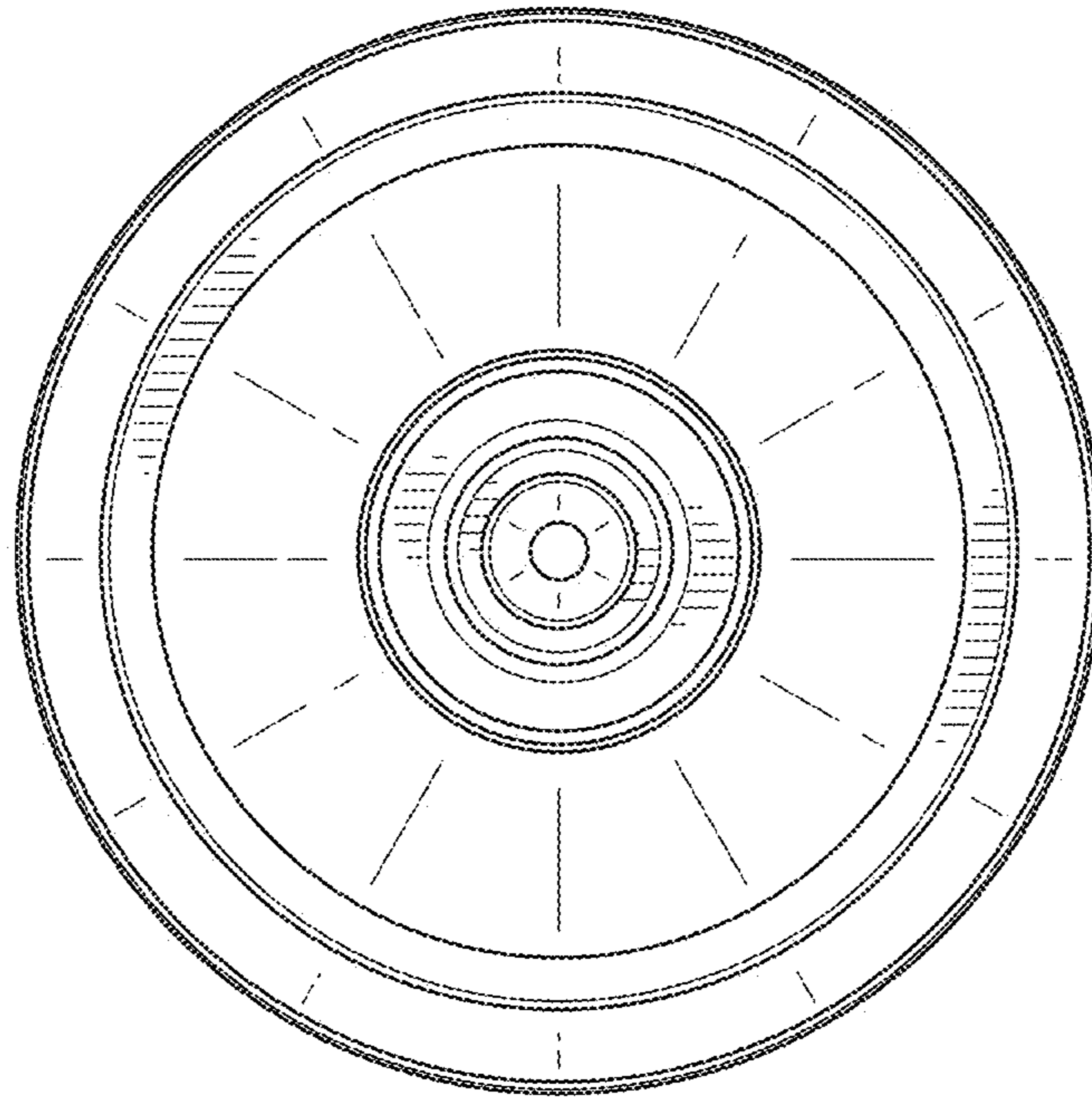


FIG. 10

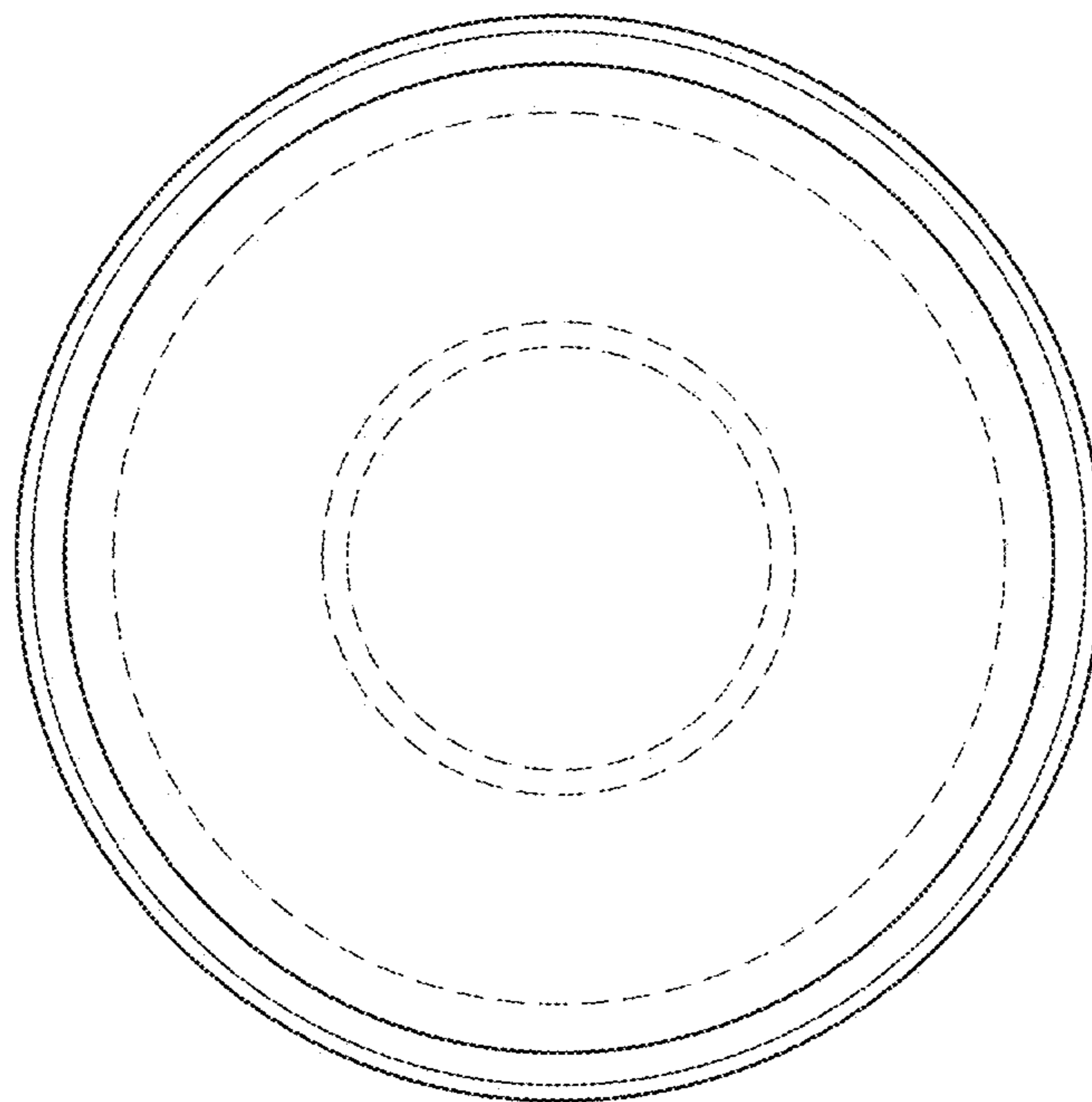


FIG. 11