



US00D913562S

(12) **United States Design Patent**
Glazer et al.

(10) **Patent No.: US D913,562 S**
(45) **Date of Patent: ** Mar. 16, 2021**

(54) **LIGHT FIXTURE**

(71) Applicant: **Inter-Global, Inc.**, St. Louis, MO (US)

(72) Inventors: **Larry J. Glazer**, St. Louis, MO (US);
Wendell S. Dodson, St. Louis, MO (US)

(**) Term: **15 Years**

(21) Appl. No.: **29/736,705**

(22) Filed: **Jun. 2, 2020**

Related U.S. Application Data

(63) Continuation of application No. 16/435,635, filed on Jun. 10, 2019, now Pat. No. 10,670,203.

(51) **LOC (13) Cl.** **26-03**

(52) **U.S. Cl.**
USPC **D26/87; D26/67**

(58) **Field of Classification Search**
USPC D26/67, 72, 80, 85, 88, 87, 40, 41, 51, D26/92

CPC F21S 8/03; F21S 8/033; F21S 8/036; F21S 8/081; F21W 2111/02; F21W 2111/023; F21W 2131/109

See application file for complete search history.

(56) **References Cited**

U.S. PATENT DOCUMENTS

D445,209 S *	7/2001	Chen	D26/72
D468,471 S *	1/2003	Chen	D26/67
D468,853 S *	1/2003	Chang	D26/67
D485,930 S *	1/2004	Chen	D26/67
D488,576 S *	4/2004	Chen	D26/67
D534,297 S *	12/2006	Chen	D26/87
D564,690 S *	3/2008	Chung	D26/67
D625,874 S *	10/2010	Sanoner	D26/67
D640,407 S *	6/2011	Chen	D26/67
D694,930 S *	12/2013	Meyer	D26/67

D694,938 S *	12/2013	Dolan	D26/87
10,670,203 B1 *	6/2020	Glazer	F21V 17/002
2010/0208466 A1 *	8/2010	Luo	F21V 13/04 362/297

OTHER PUBLICATIONS

Lucid Lighting 17.75-in Transitional 1-Light Outdoor Wall Lantern from lowes.com , visited Oct. 22, 2020. (Year: 2020).*
1 Light Outdoor Wall Lantern by Craftmade Lighting. Available at amazon.com Sep. 22, 2020. (Year: 2020).*

* cited by examiner

Primary Examiner — Clare E Heflin

(74) *Attorney, Agent, or Firm* — Creativenture Law, LLC; Dennis J M Donahue, III; Kevin C. Staed

(57) **CLAIM**

The ornamental design for a light fixture, as shown and described.

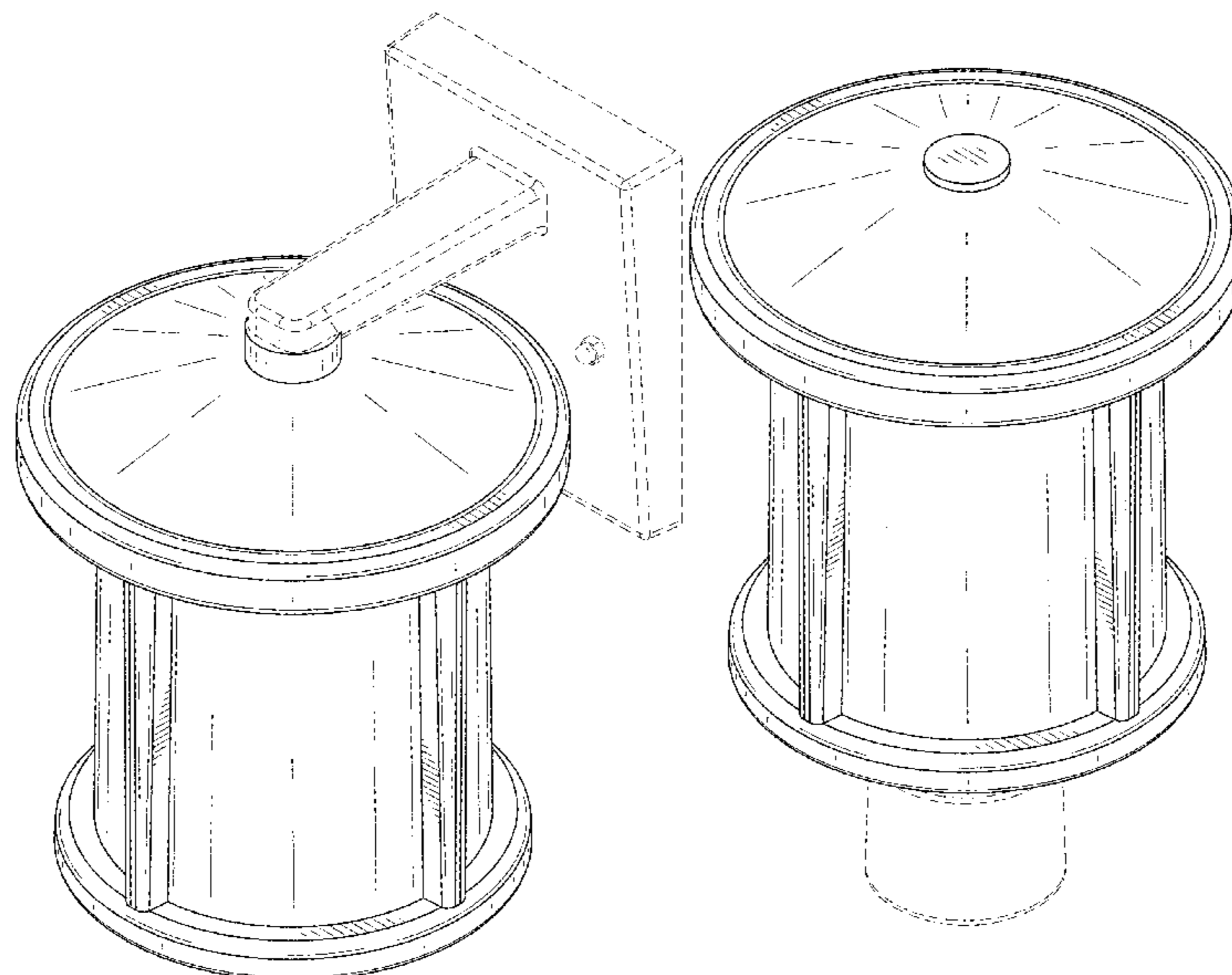
DESCRIPTION

FIG. 1 is a front perspective view of a light fixture according to a first embodiment;
FIG. 2 is a front view thereof;
FIG. 3 is a back view thereof;
FIG. 4 is a left side view thereof;
FIG. 5 is a right side view thereof;
FIG. 6 is a top view thereof; and
FIG. 7 is a bottom view thereof.

FIG. 8 is a front perspective view of a light fixture according to a second embodiment;
FIG. 9 is a front view thereof;
FIG. 10 is a top view thereof; and
FIG. 11 is a bottom view thereof.

The right side view, left side view, and rear view of the second embodiment are substantially identical to the front view of the second embodiment. The dashed lines in the figures illustrate alternative mounting devices for the light fixture and form no part of the claimed design.

1 Claim, 11 Drawing Sheets



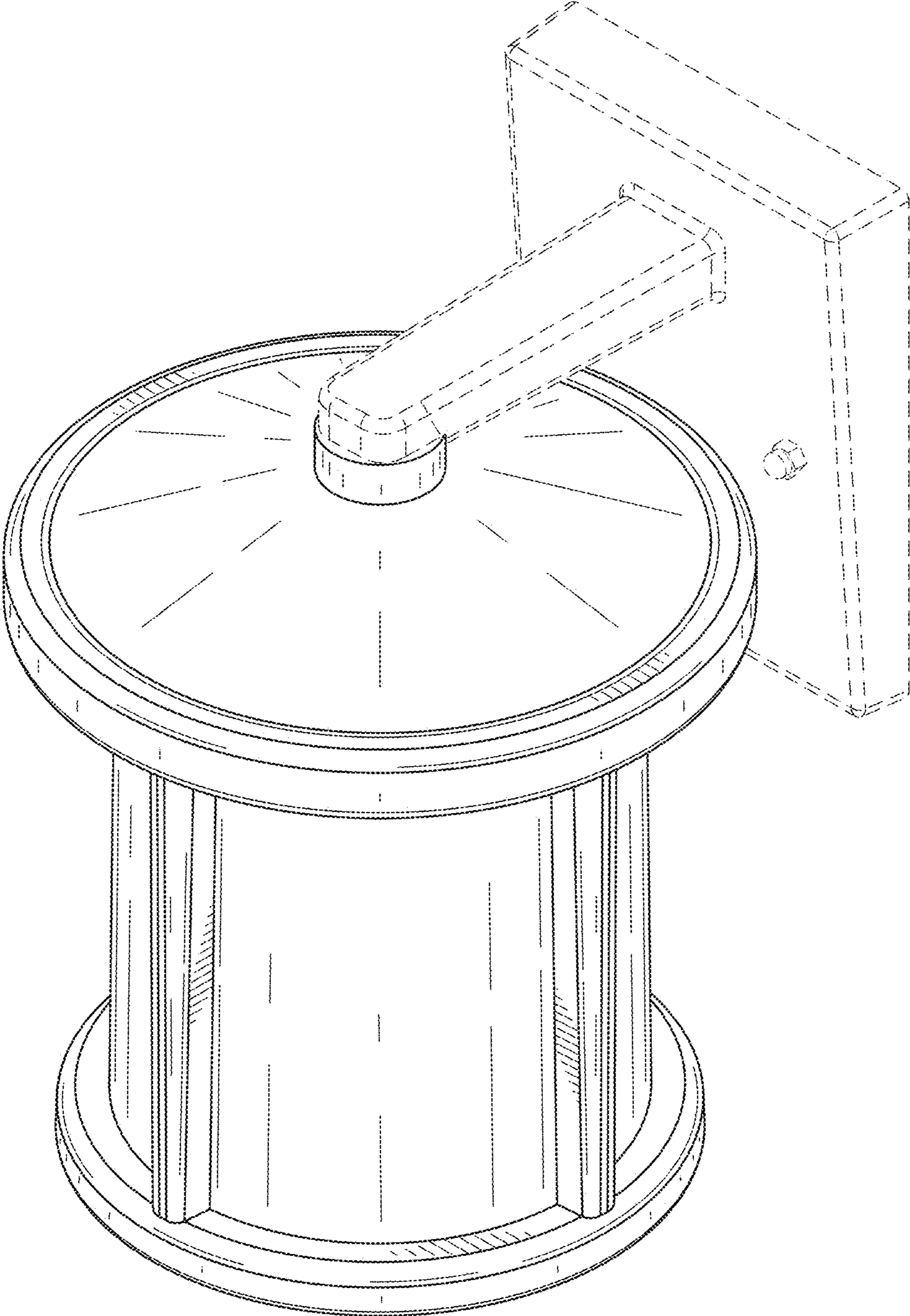


FIG. 1

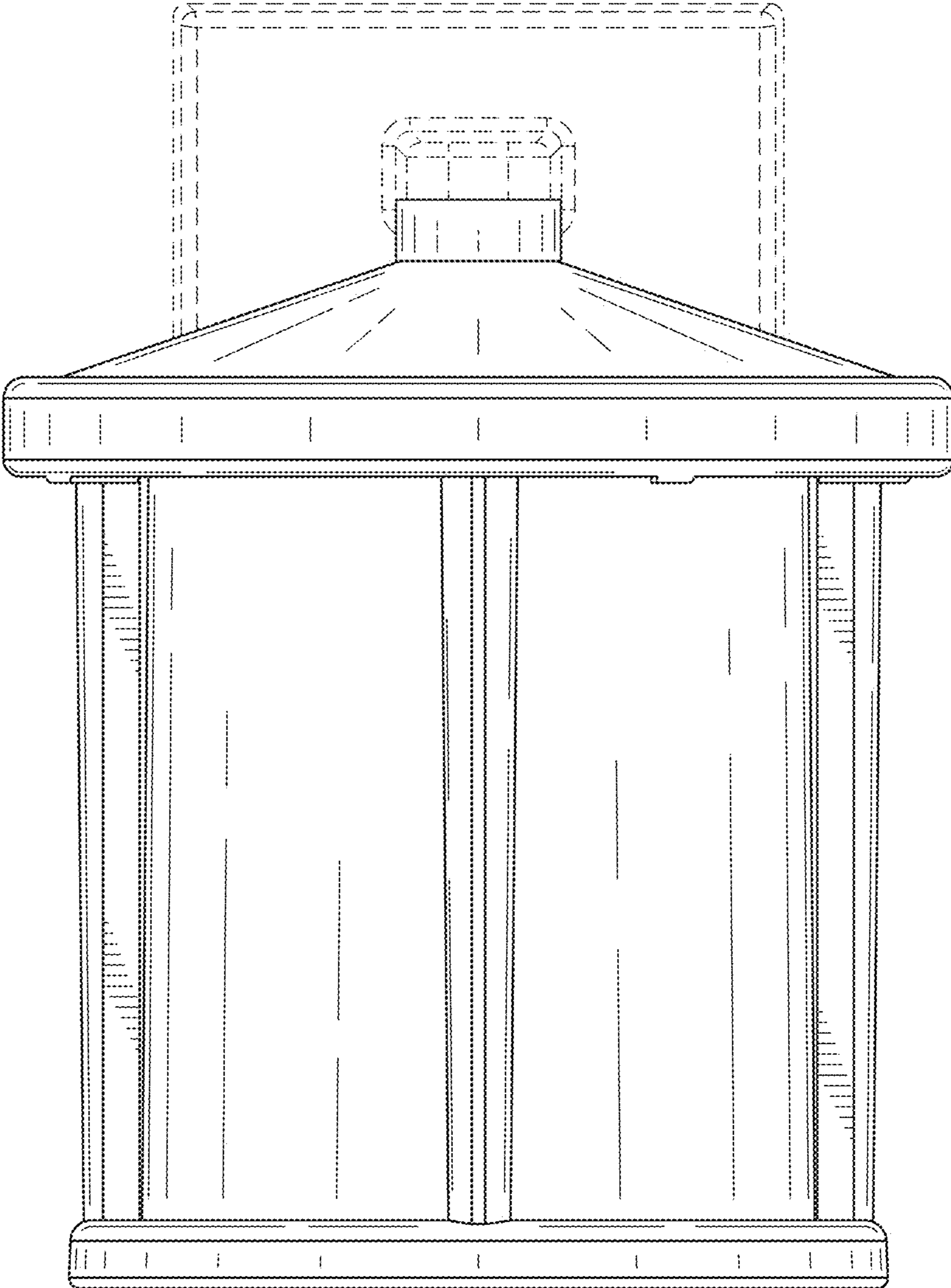


FIG. 2

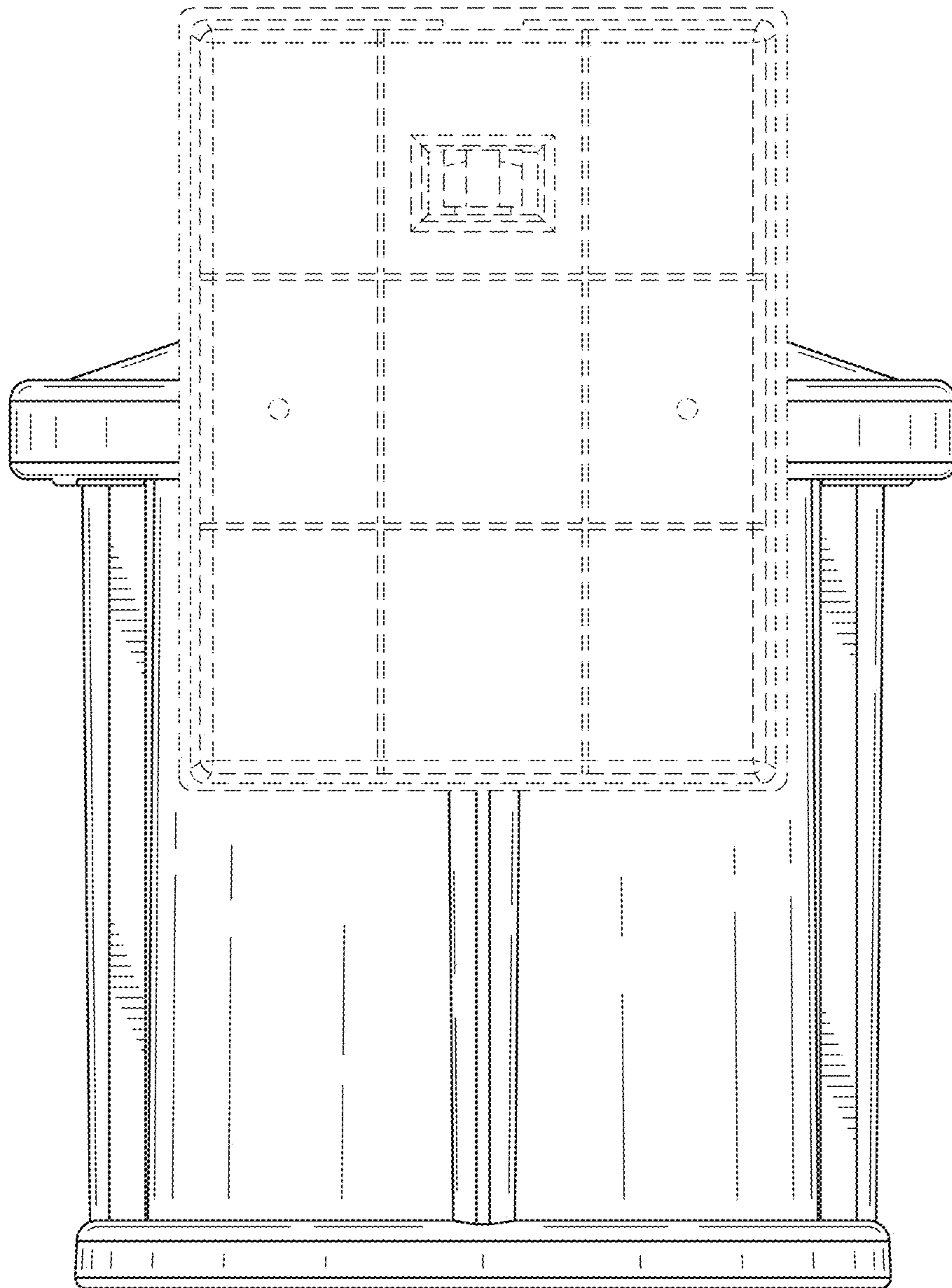


FIG. 3

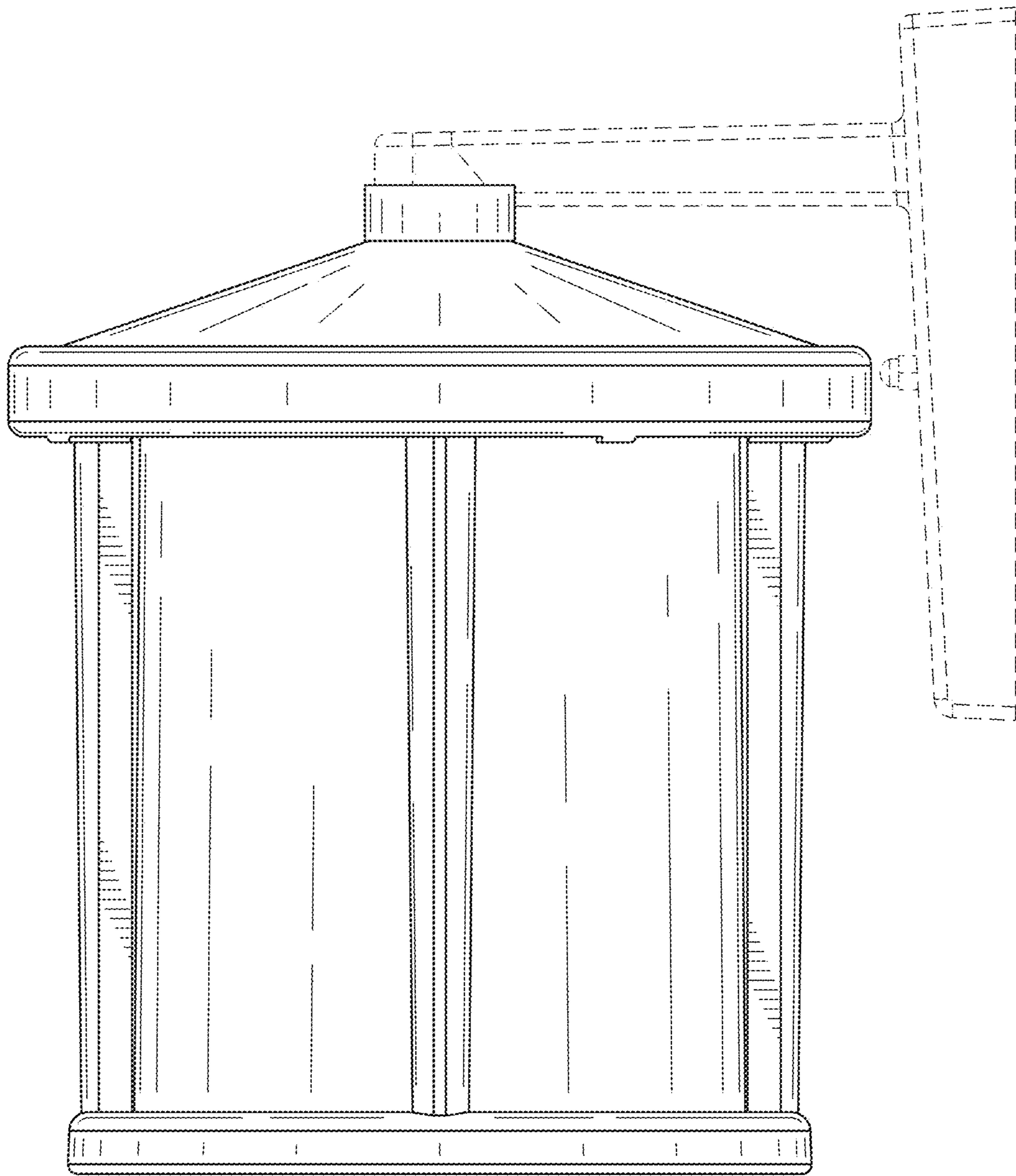


FIG. 4

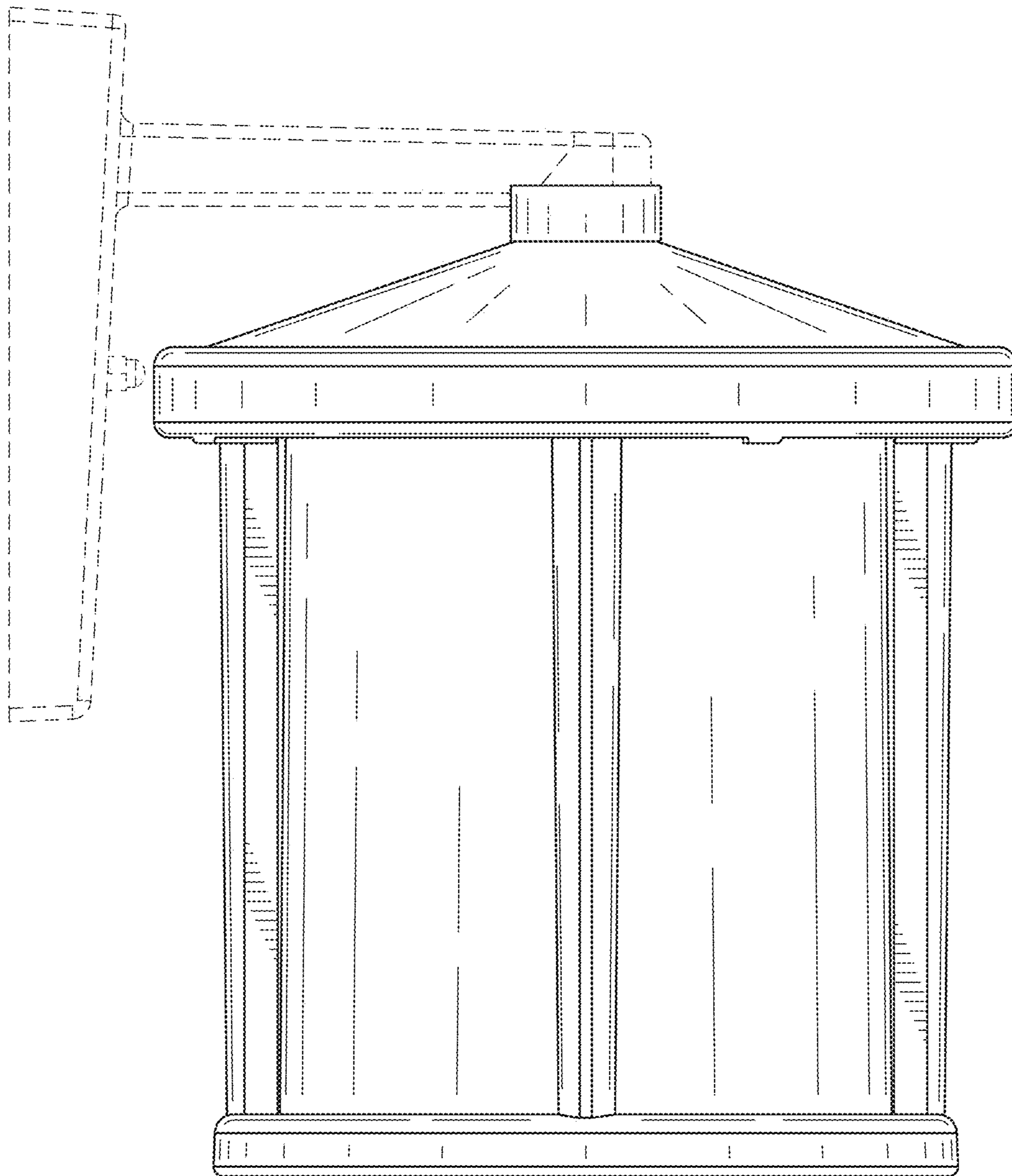


FIG. 5

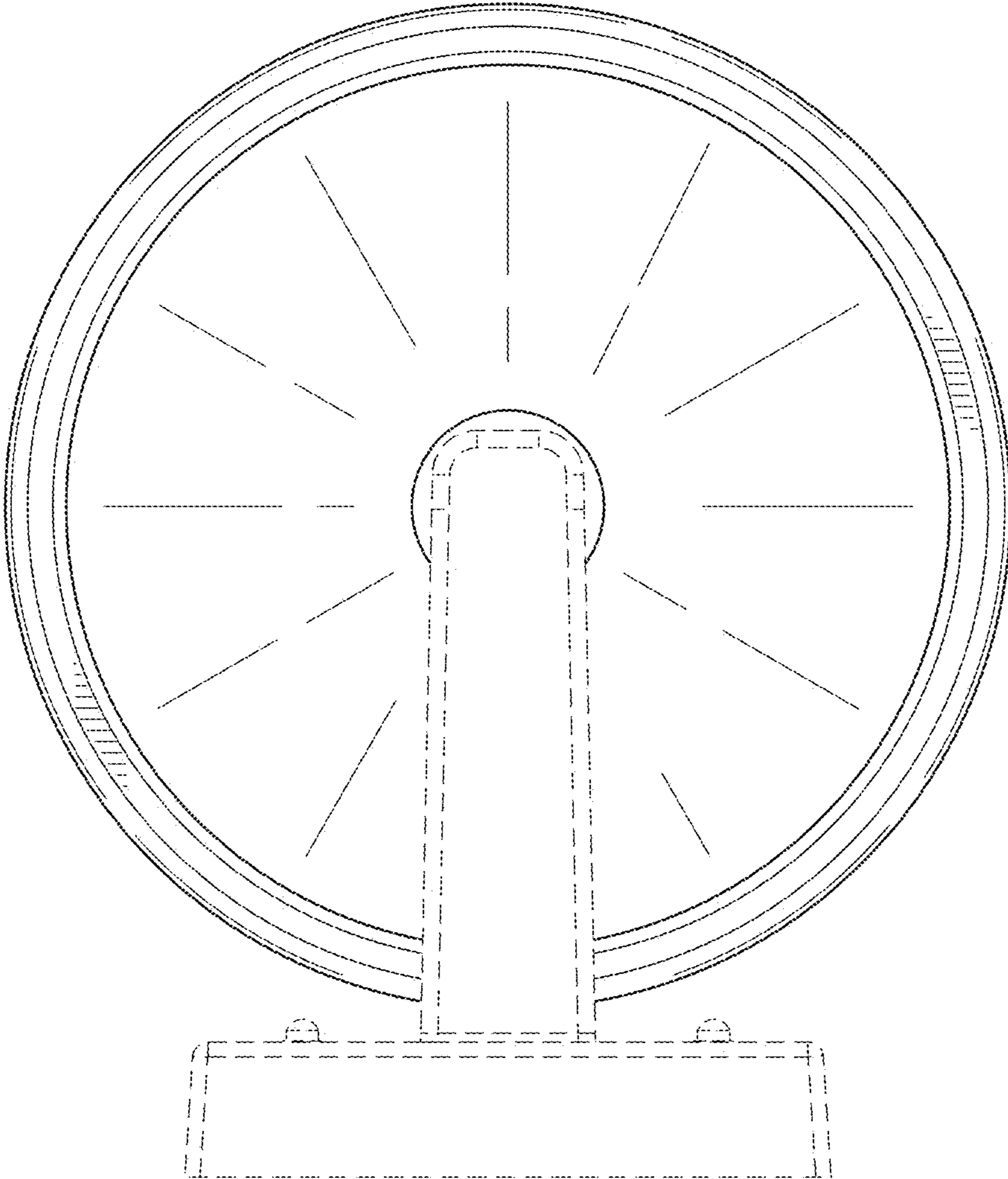


FIG. 6

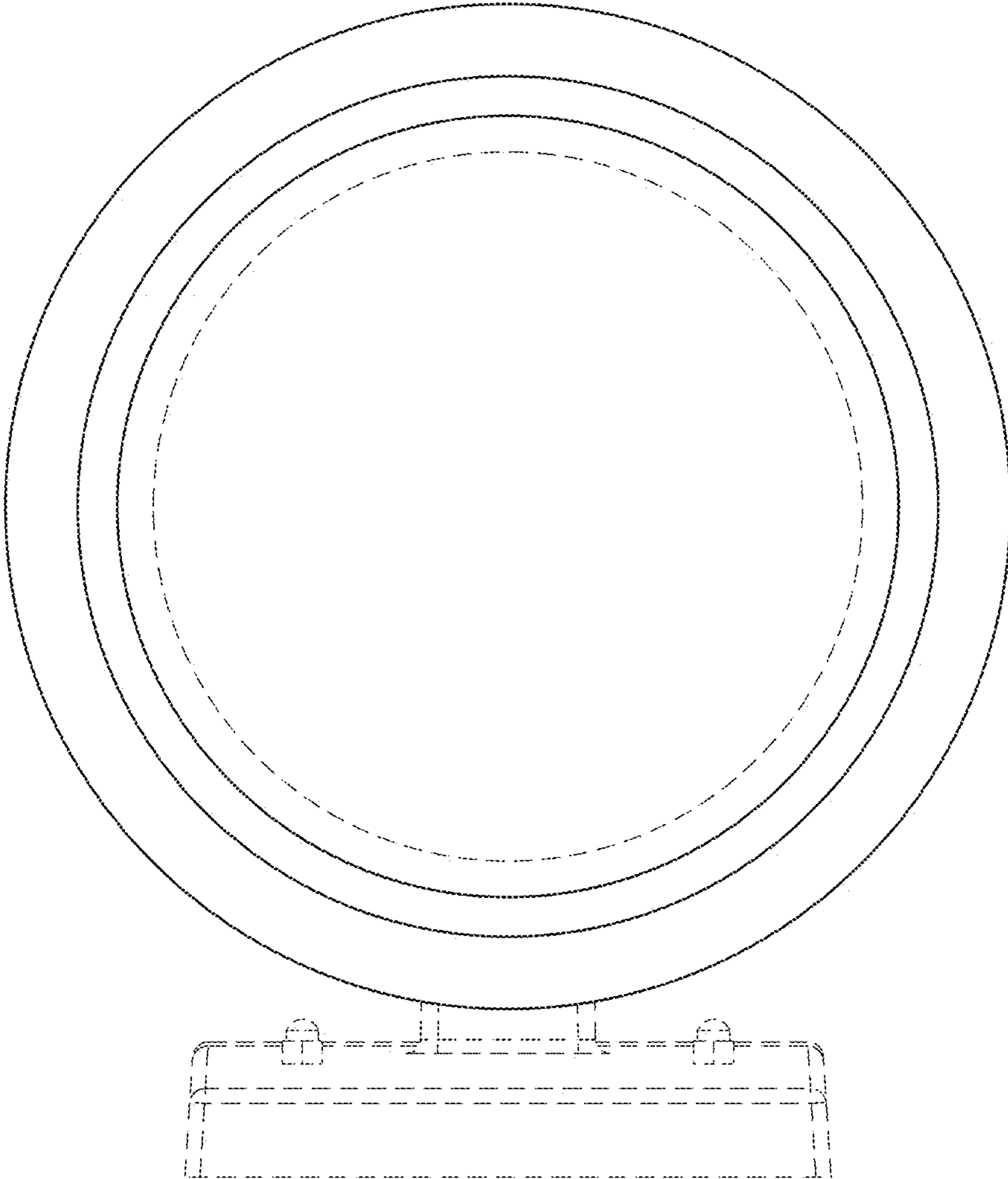


FIG. 7

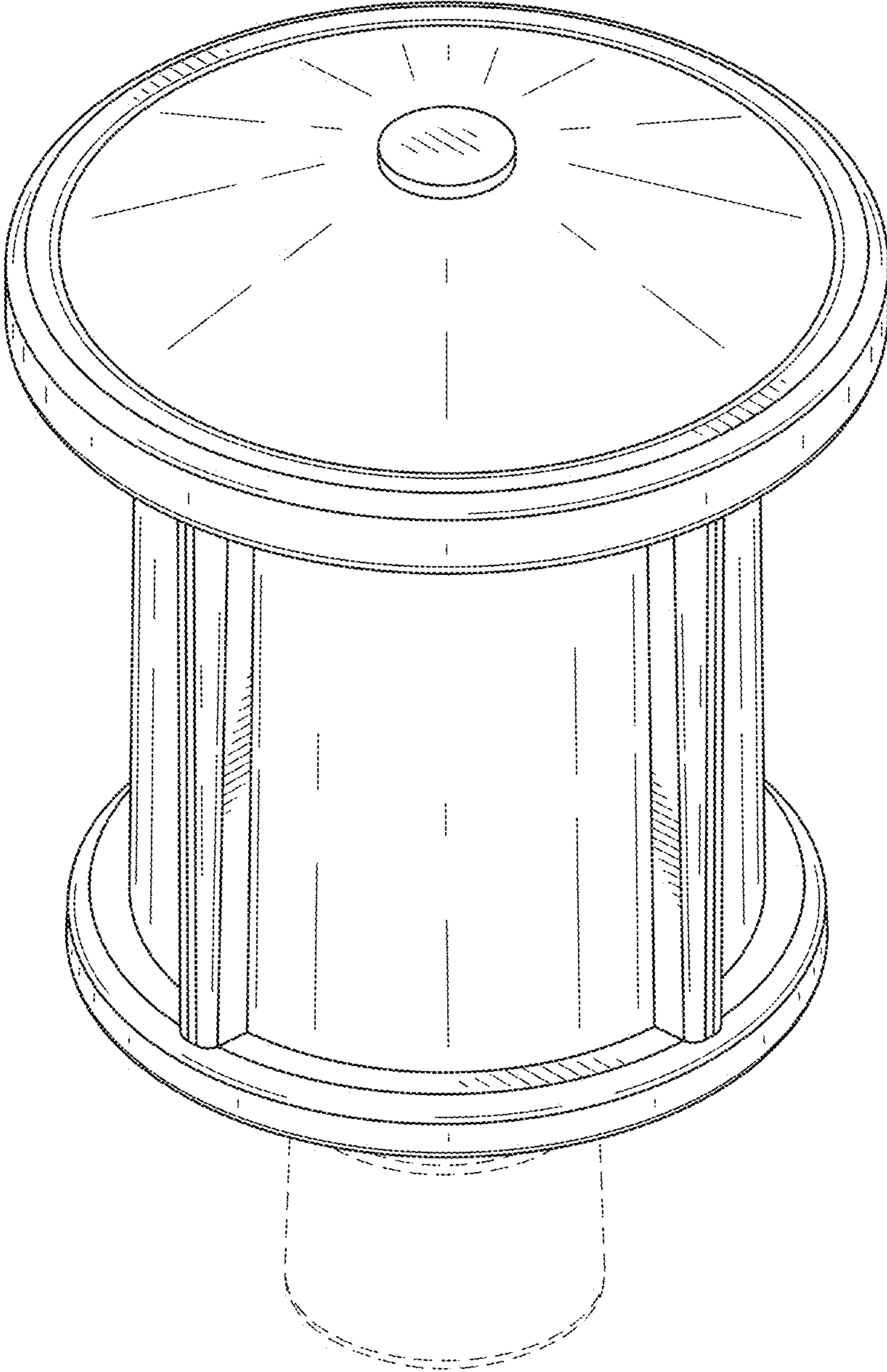


FIG. 8

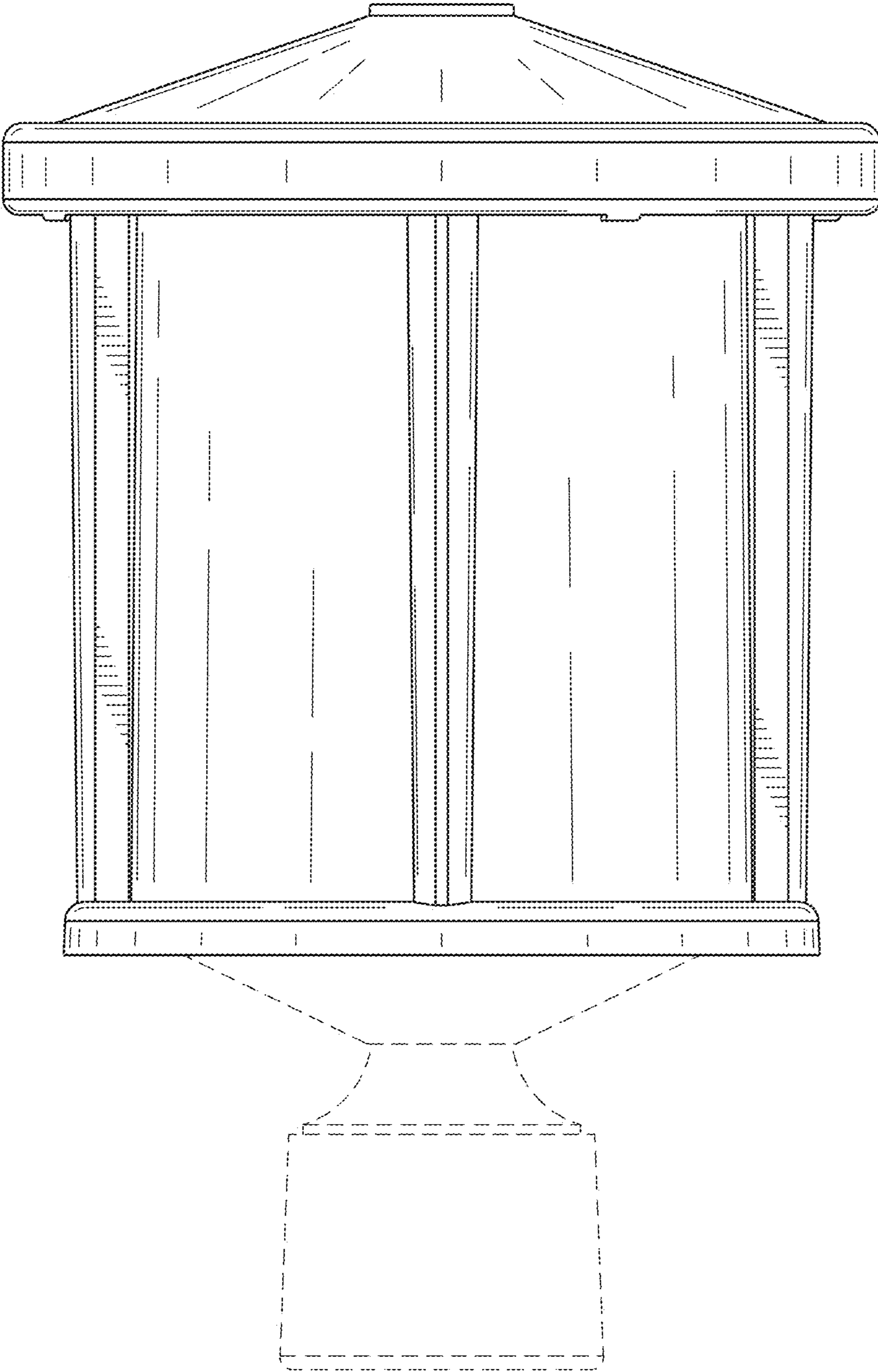


FIG. 9

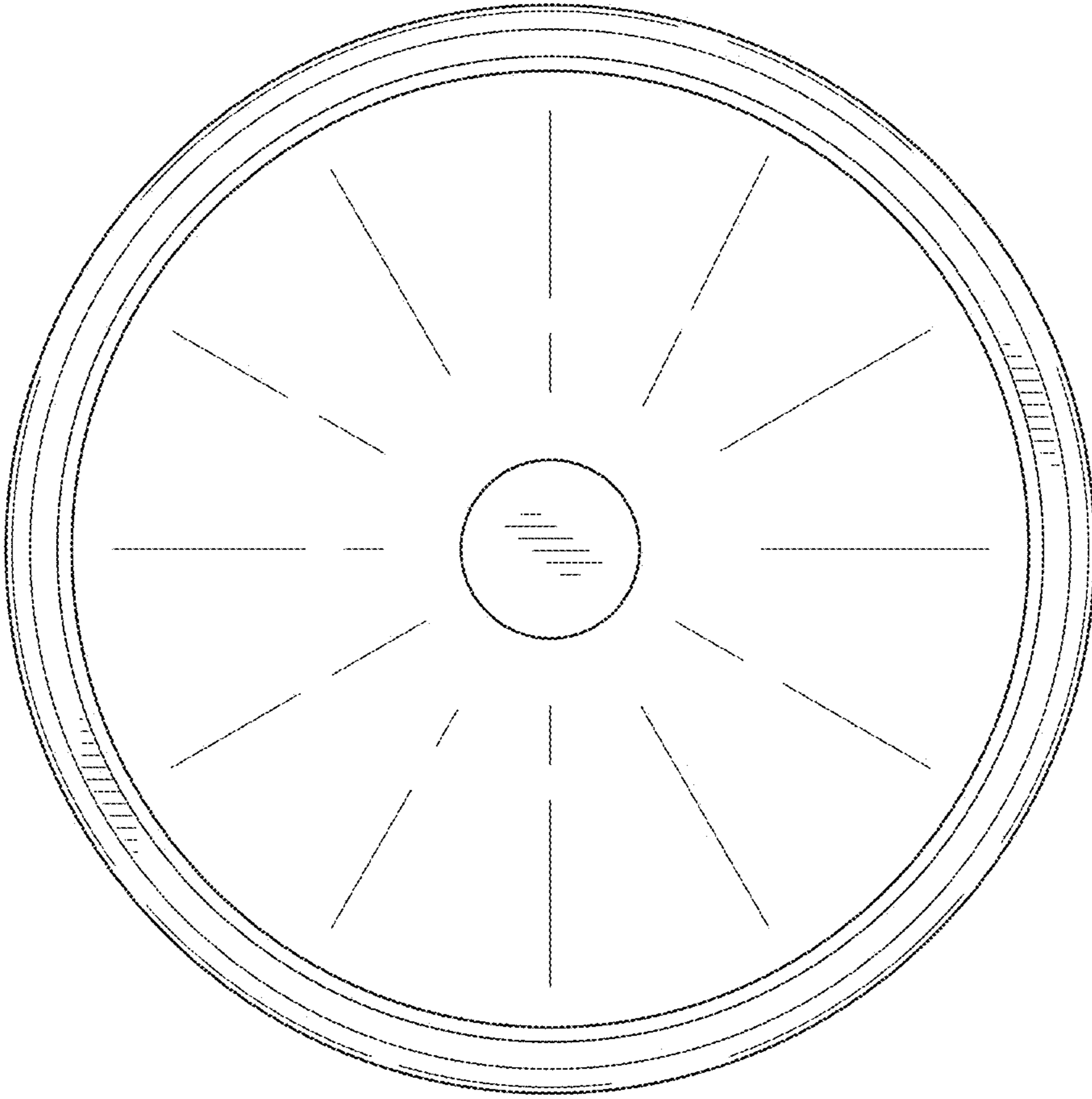


FIG. 10

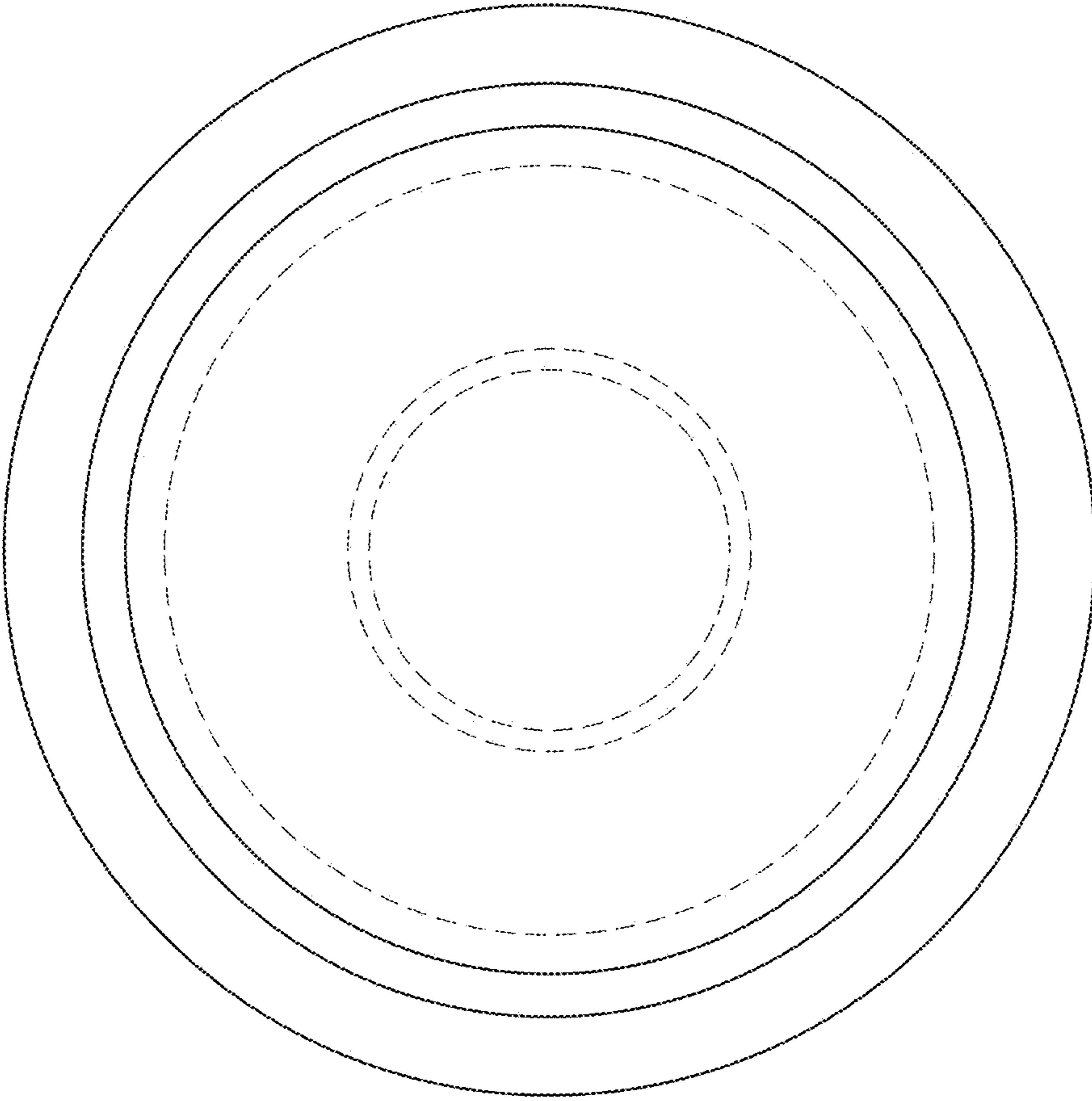


FIG. 11