



US00D913560S

(12) **United States Design Patent**  
**Weeks**

(10) **Patent No.:** **US D913,560 S**

(45) **Date of Patent:** **\*\* Mar. 16, 2021**

(54) **LIGHTING FIXTURE**

(71) Applicant: **David Weeks**, New York, NY (US)

(72) Inventor: **David Weeks**, New York, NY (US)

(\*\*) Term: **15 Years**

(21) Appl. No.: **29/686,647**

(22) Filed: **Apr. 5, 2019**

(51) **LOC (13) Cl.** ..... **26-03**

(52) **U.S. Cl.**  
USPC ..... **D26/80**

(58) **Field of Classification Search**  
USPC ..... D26/72, 80, 81, 84, 85  
CPC ..... F21S 8/03; F21S 8/04; F21S 8/043; F21S  
8/046; F21S 8/06; F21S 8/063  
See application file for complete search history.

(56) **References Cited**

**U.S. PATENT DOCUMENTS**

D828,607 S \* 9/2018 Sonneman ..... D26/81  
D828,945 S \* 9/2018 Crocker ..... D26/81

D889,724 S \* 7/2020 Richardson ..... D26/81  
2017/0198872 A1 \* 7/2017 Sonneman ..... F21S 8/063

\* cited by examiner

*Primary Examiner* — Brian N. Vinson

(74) *Attorney, Agent, or Firm* — Timothy W. Menasco,  
Esq.; Harter Secrest & Emery LLP

(57) **CLAIM**

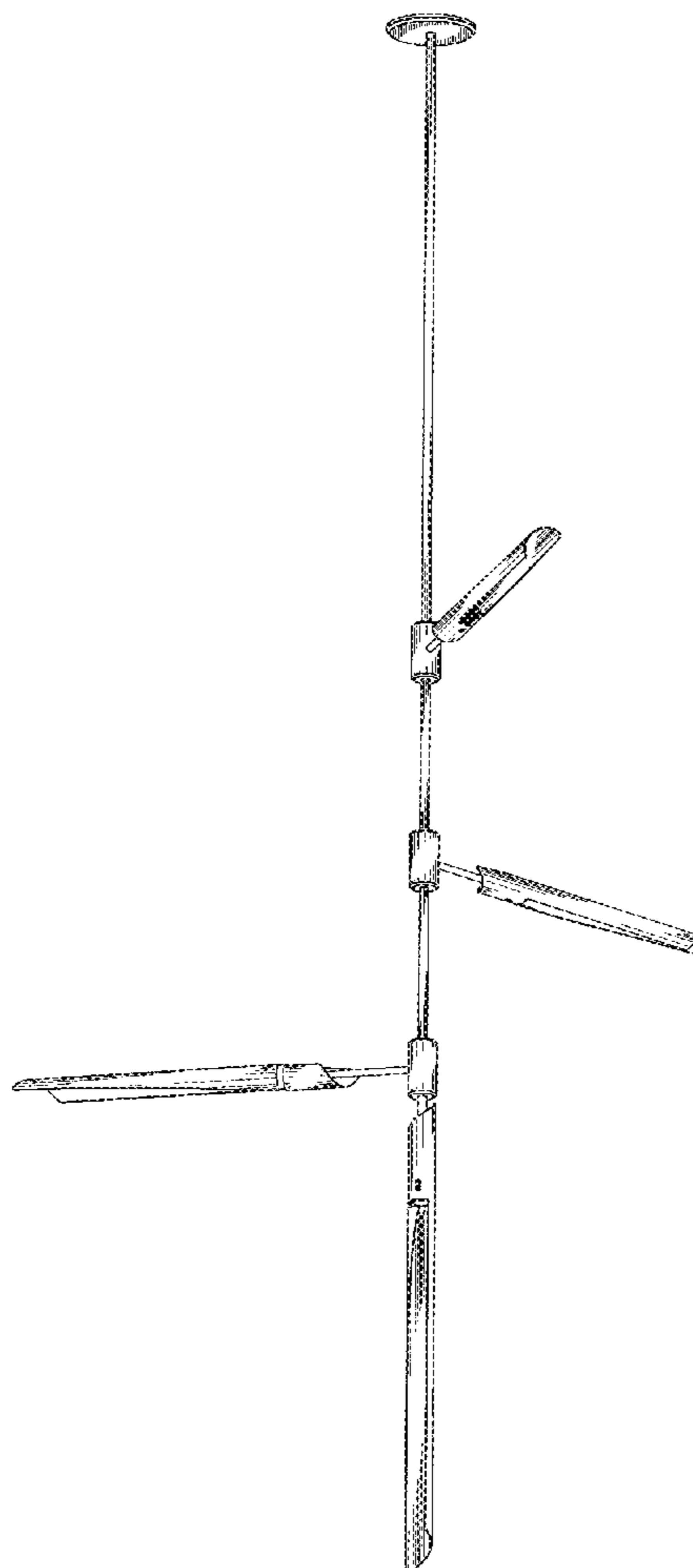
The ornamental design of a lighting fixture, as shown and described.

**DESCRIPTION**

FIG. 1 is a front perspective view of a lighting fixture in accordance with a first embodiment of the present invention; FIG. 2 is a front view thereof; FIG. 3 is a right side view thereof; FIG. 4 is a rear view thereof; FIG. 5 is a left side view thereof; FIG. 6 is a top view thereof; and, FIG. 7 is a bottom view thereof.

The lighting fixture is not limited to the scale shown herein. The broken lines of the Figures are for illustrative purposes only and form no part of the claimed design.

**1 Claim, 6 Drawing Sheets**



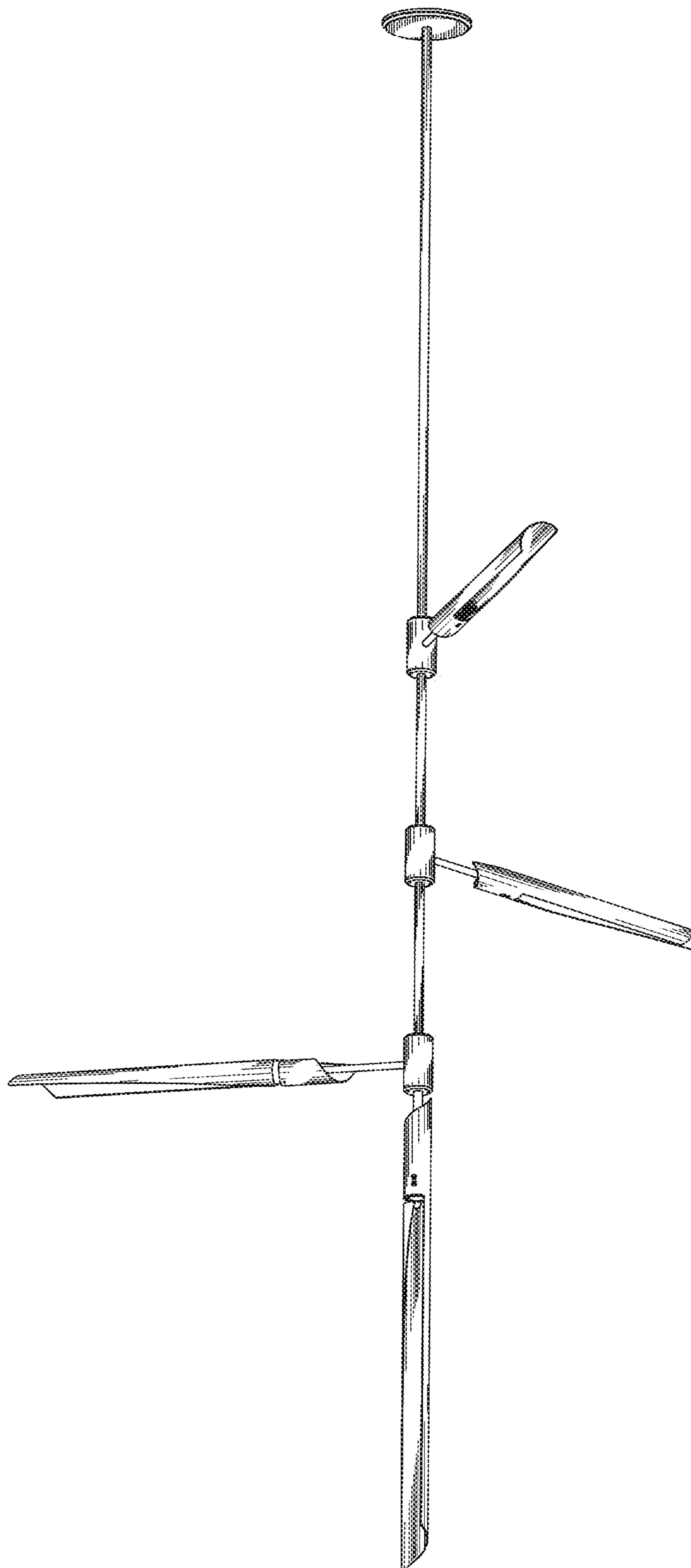


FIG. 1

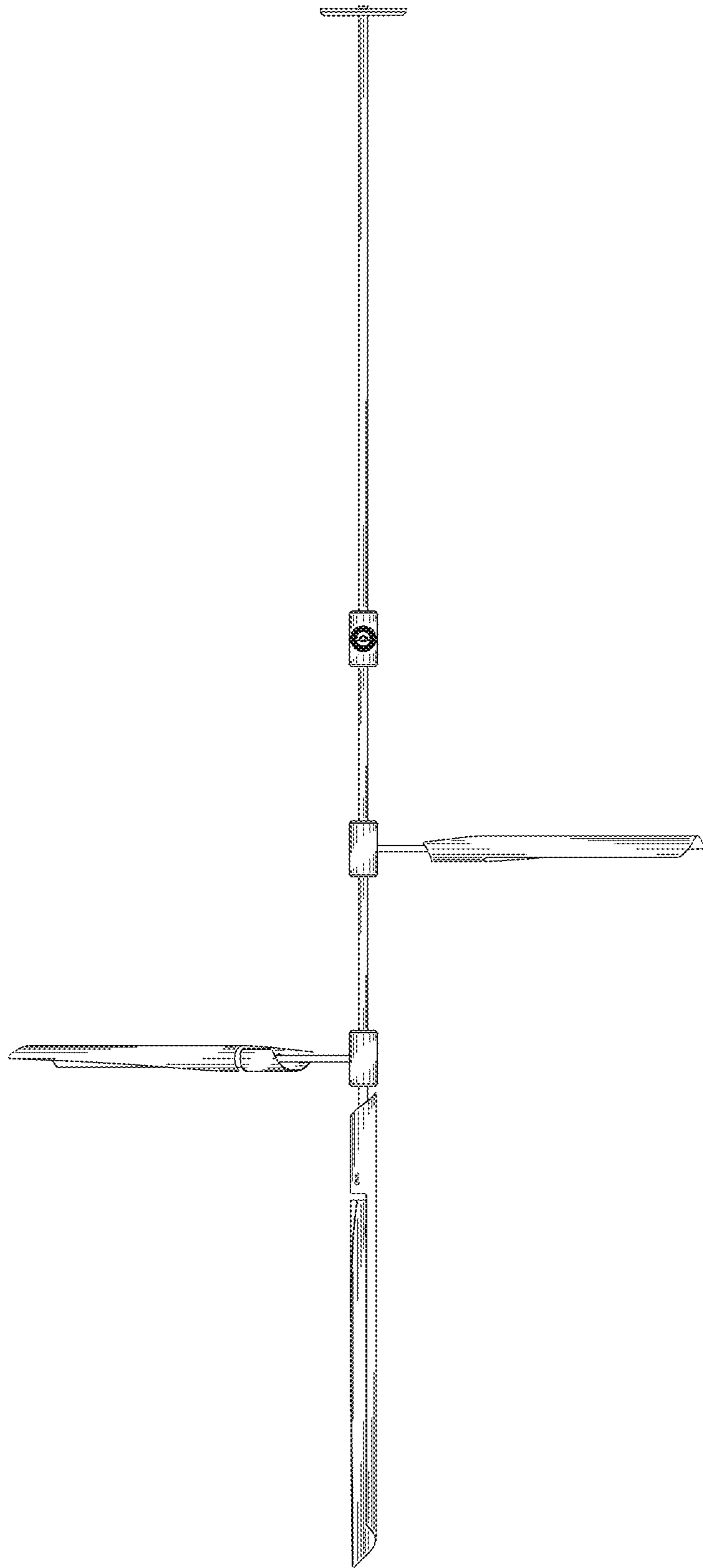


FIG. 2

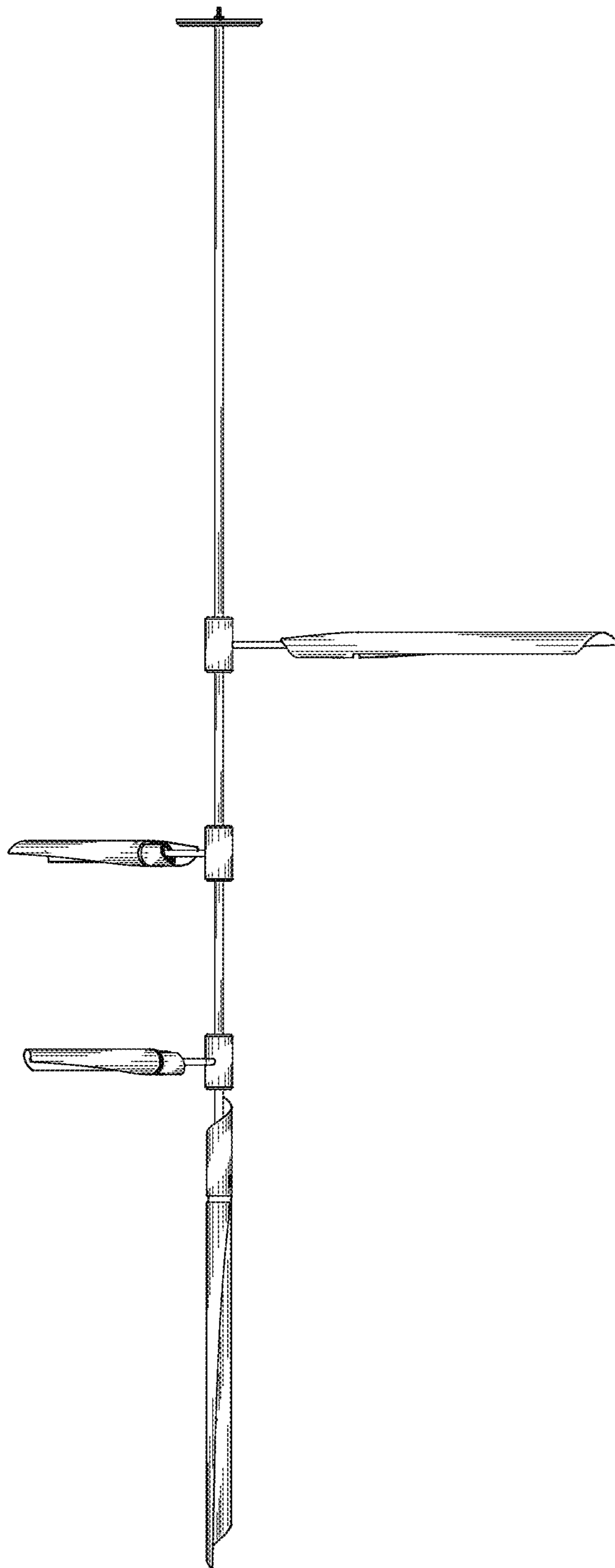


FIG. 3

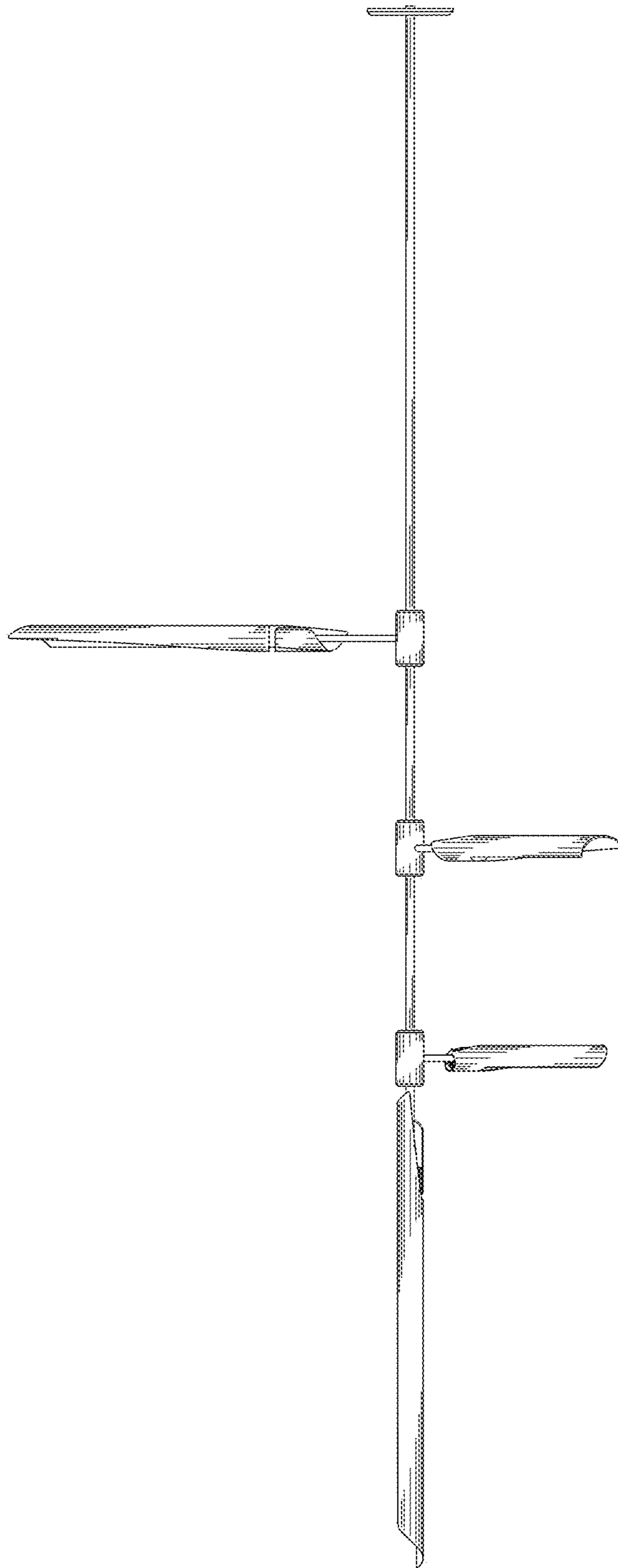


FIG. 4

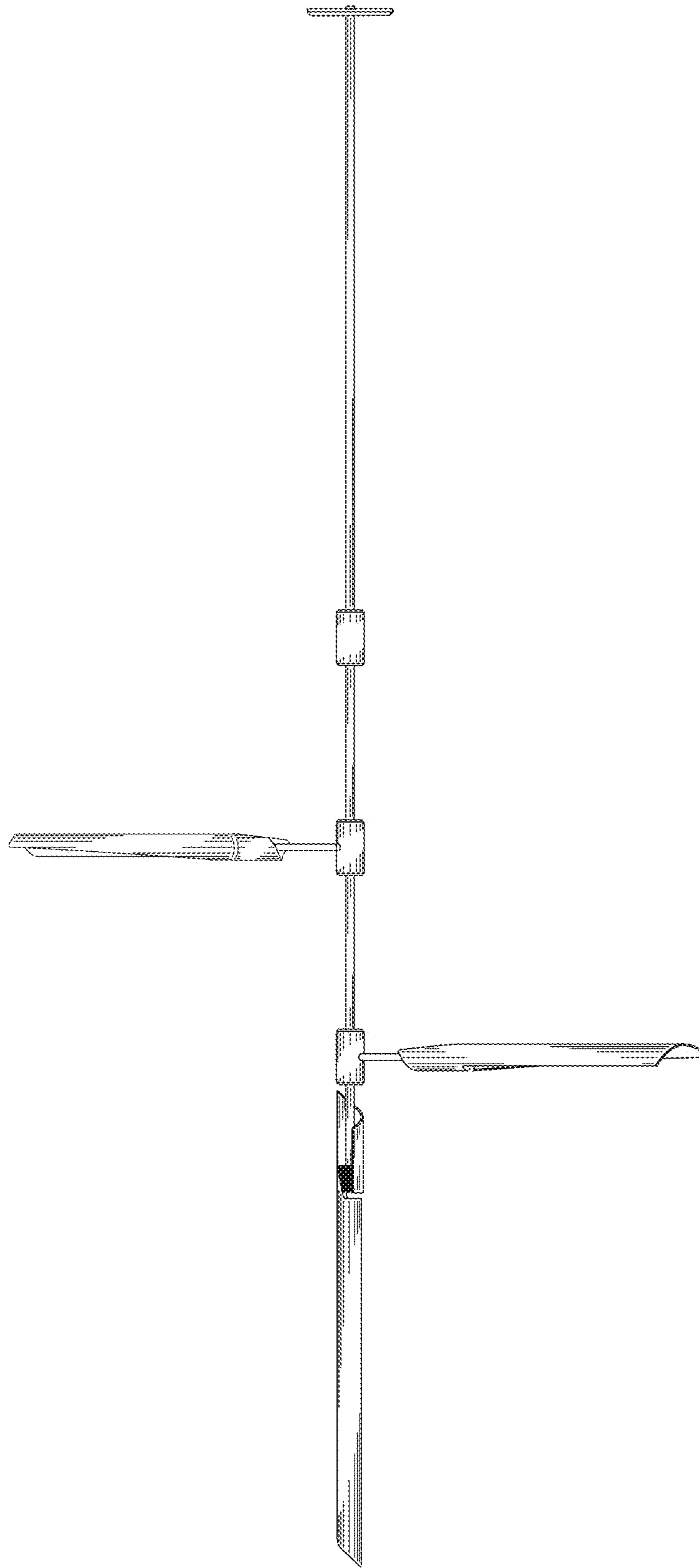


FIG. 5

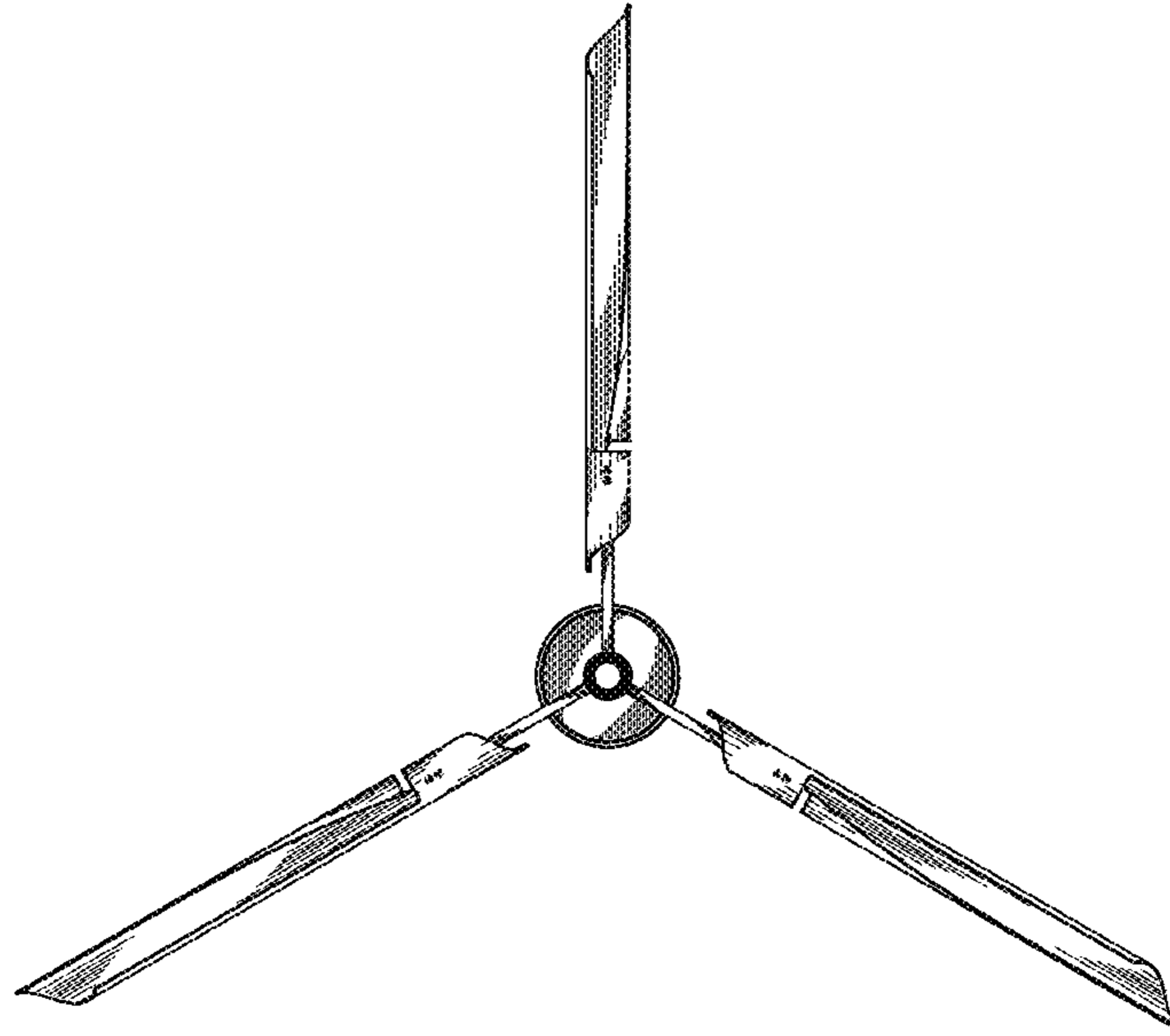


FIG. 6

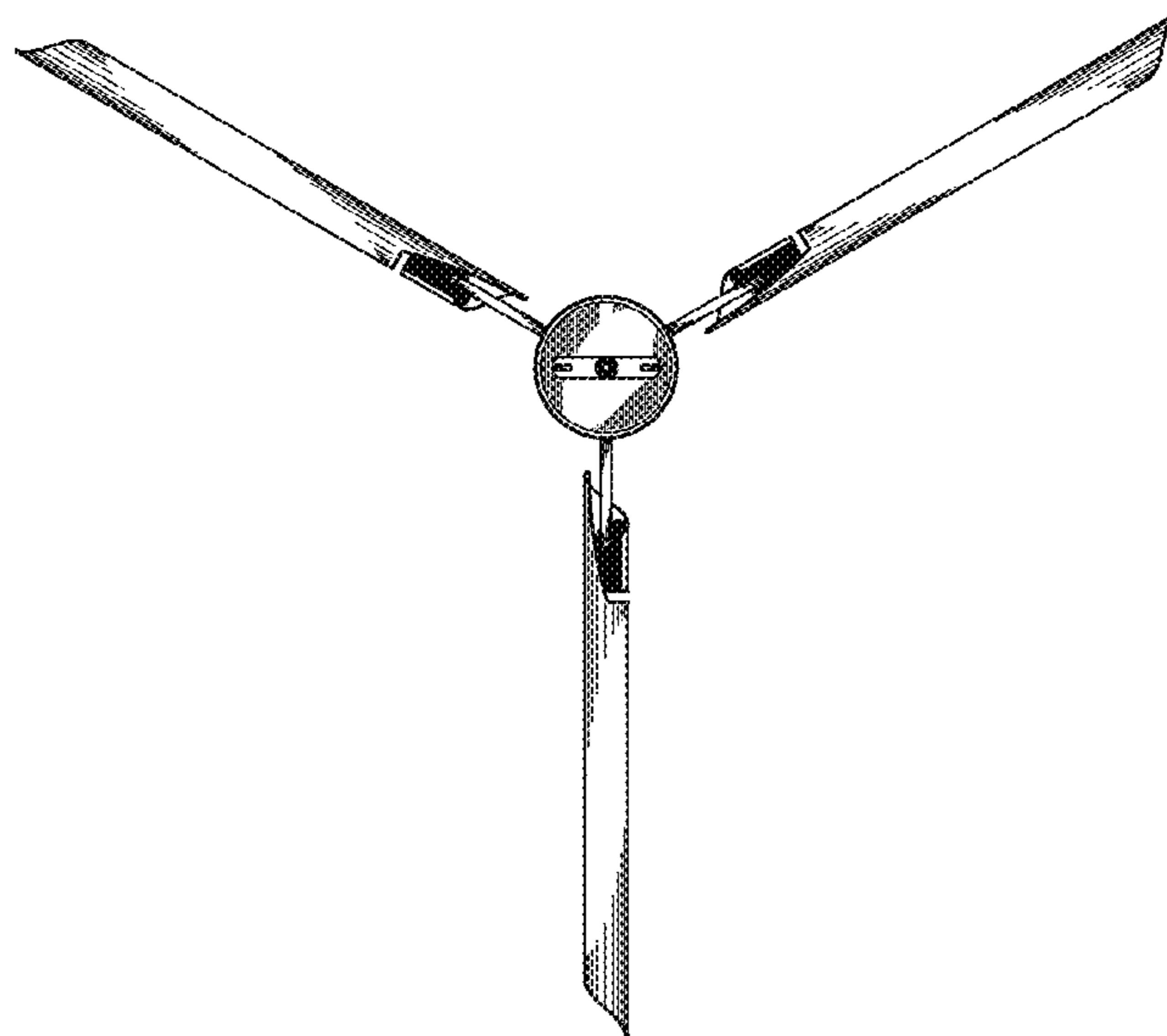


FIG. 7