



US00D913559S

(12) **United States Design Patent** (10) **Patent No.:** **US D913,559 S**
Botti (45) **Date of Patent:** **** Mar. 16, 2021**

(54) **WALL AND CEILING LAMP**

(71) Applicant: **SIMES S.p.A.**, Nigoline di Corte Franca (IT)

(72) Inventor: **Roberto Botti**, Nigoline di Corte Franca (IT)

(73) Assignee: **SIMES S.p.A.**, Nigoline di Corte Franca (IT)

(**) Term: **15 Years**

(21) Appl. No.: **35/507,596**

(22) Filed: **Apr. 3, 2019**

(80) **Hague Agreement Data**

Int. Filing Date: **Apr. 3, 2019**

Int. Reg. No.: **DM/203629**

Int. Reg. Date: **Apr. 3, 2019**

Int. Reg. Pub. Date: **Nov. 1, 2019**

(30) **Foreign Application Priority Data**

Oct. 15, 2018 (WO) DM/200446

(51) **LOC (13) Cl.** **26-05**

(52) **U.S. Cl.**
USPC **D26/74**

(58) **Field of Classification Search**
USPC D26/61-63, 72, 74, 76, 78-83, 85, 86, D26/88, 90, 93, 104, 111, 113, 118-122, D26/138-142, 152
CPC F21S 2/00; F21S 4/00; F21S 4/003; F21S 4/005; F21S 4/006; F21S 4/007; F21S 4/008; F21S 6/00; F21S 8/00; F21S 8/024; F21S 8/026; F21S 8/031; F21S 8/033; F21S 8/035-037; F21S 8/04; F21S 8/043; F21S 8/063

See application file for complete search history.

(56) **References Cited**

U.S. PATENT DOCUMENTS

2,625,646	A *	1/1953	Goebel	F21V 21/005 362/224
2,647,985	A *	8/1953	Biller	F21V 11/06 362/228
D192,608	S *	4/1962	Cooke	D26/76
D243,035	S *	1/1977	Kohlenstein	D26/24
D411,031	S *	6/1999	Conn	D26/118
D542,963	S *	5/2007	Zucker	D26/121
D574,090	S *	7/2008	Takada	D26/1
D593,697	S *	6/2009	Liu	D26/74
D595,896	S *	7/2009	Boyer	D26/152
D600,392	S *	9/2009	Ling	D26/74
D707,386	S *	6/2014	McKenzie	D26/142
D740,991	S *	10/2015	Hill	D26/78
D778,487	S *	2/2017	Salomon	D26/138
D779,702	S *	2/2017	Yeh	D26/77

(Continued)

Primary Examiner — Natasha Vujcic
(74) *Attorney, Agent, or Firm* — Thomas I Horstemeyer, LLP

(57) **CLAIM**

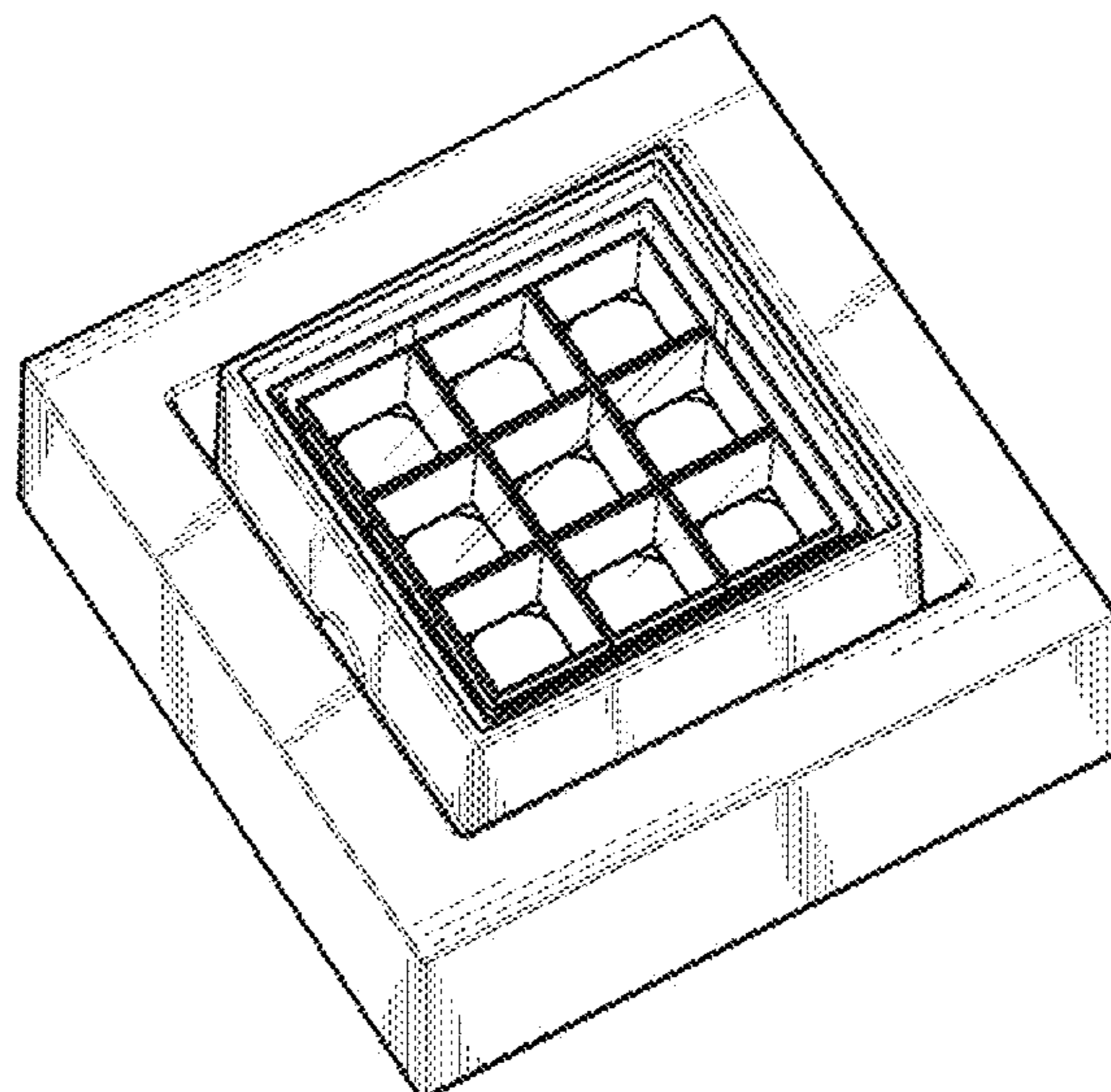
The ornamental design for a wall and ceiling lamp, as shown and described.

DESCRIPTION

- 1.1 is a perspective view of the wall and ceiling lamp;
- 1.2 is another perspective view thereof;
- 1.3 is a front view thereof;
- 1.4 is a left/right side view thereof;
- 1.5 is a top/bottom view thereof;
- 2.1 is a perspective view of a second embodiment of the wall and ceiling lamp of 1.1;
- 2.2 is another perspective view thereof;
- 2.3 is a front view thereof;
- 2.4 is a left/right side view thereof; and
- 2.5 is a top/bottom view thereof.

The broken lines in the drawings illustrate portions of the wall and ceiling lamp and form no part of the claimed design.

1 Claim, 10 Drawing Sheets



(56)

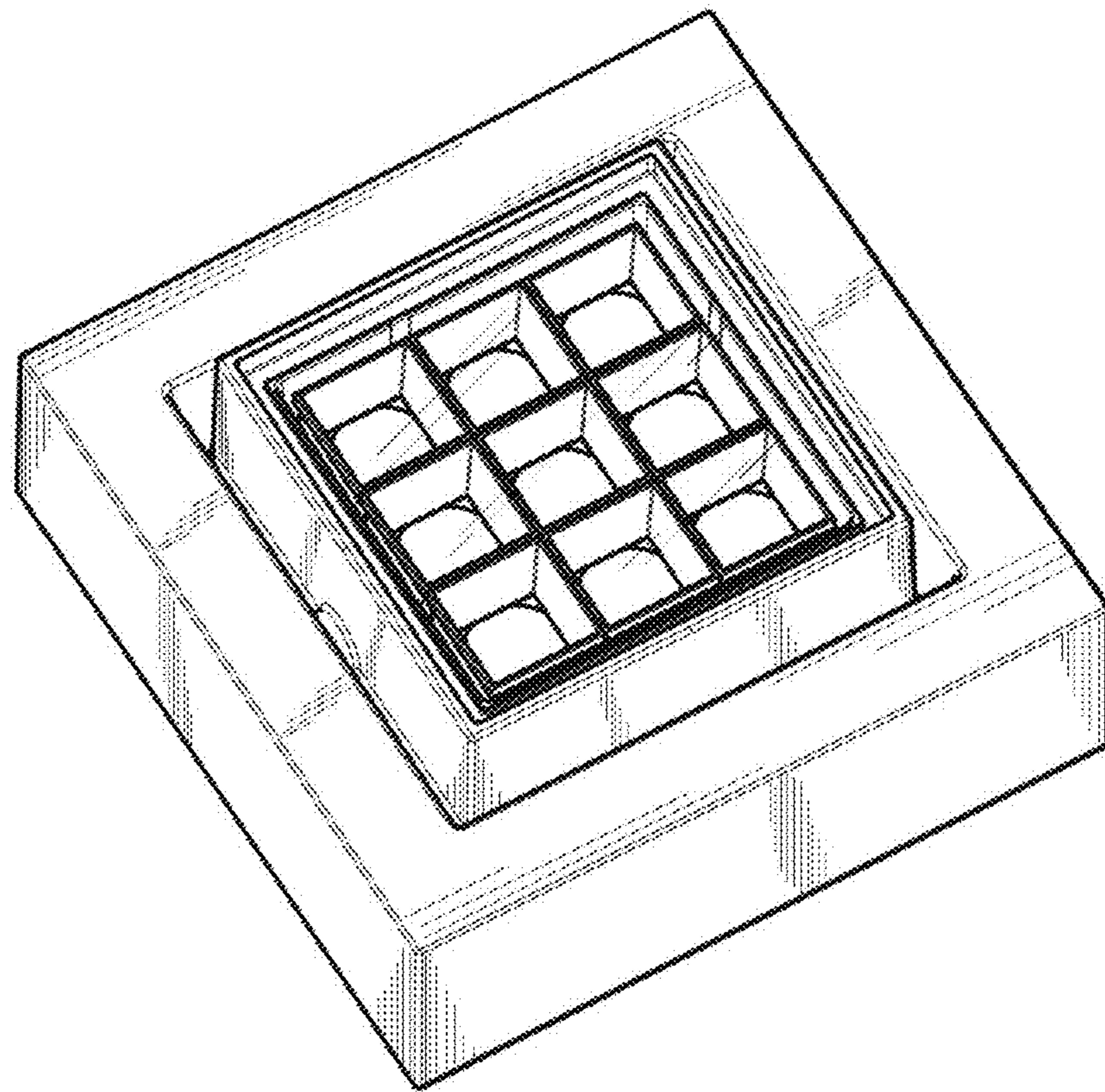
References Cited

U.S. PATENT DOCUMENTS

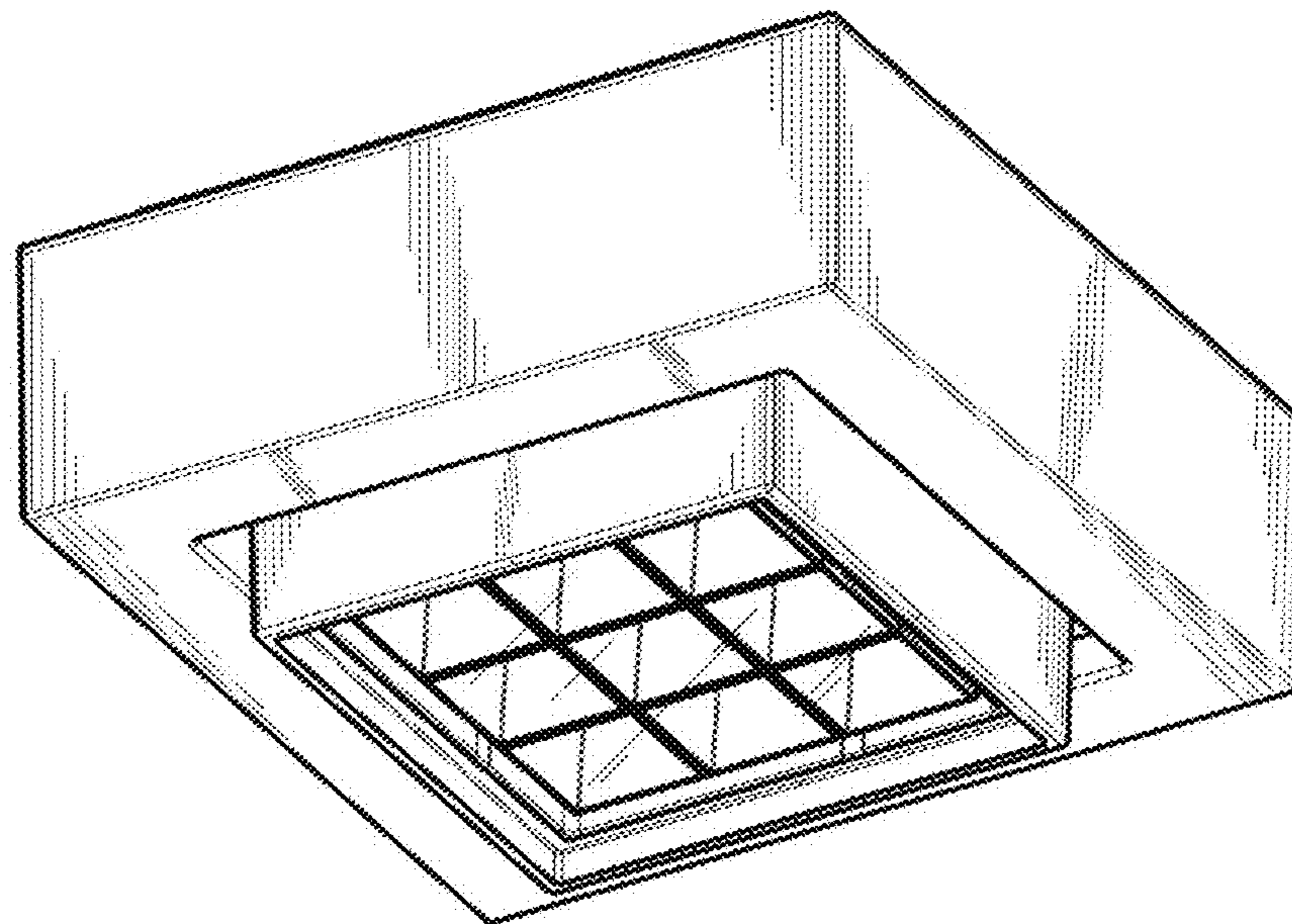
D805,675 S * 12/2017 Salomon D26/74
D807,558 S * 1/2018 Guzzini D26/74
D829,953 S * 10/2018 Botti D26/74
D870,365 S * 12/2019 Sonneman D26/138

* cited by examiner

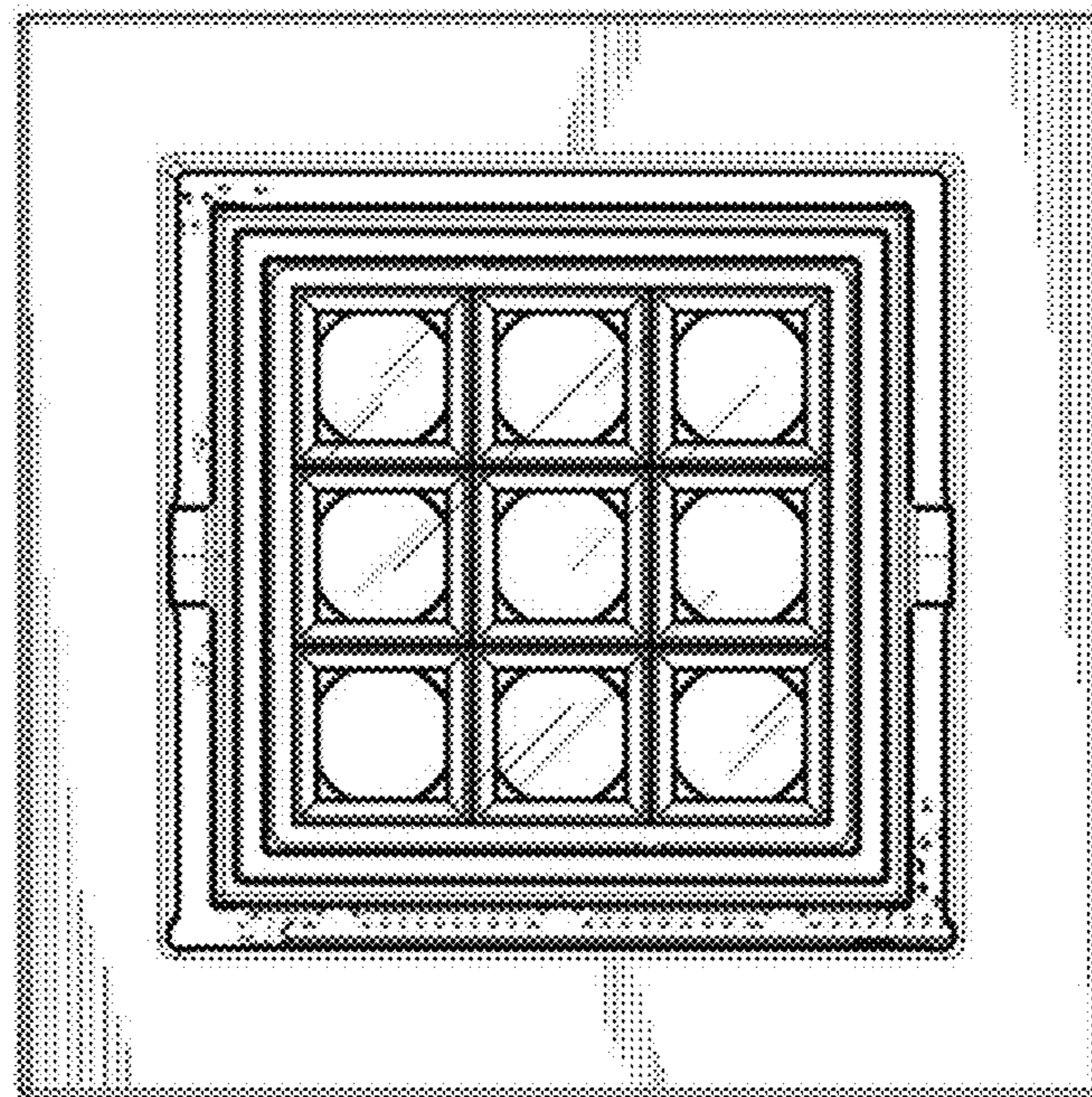
1.1



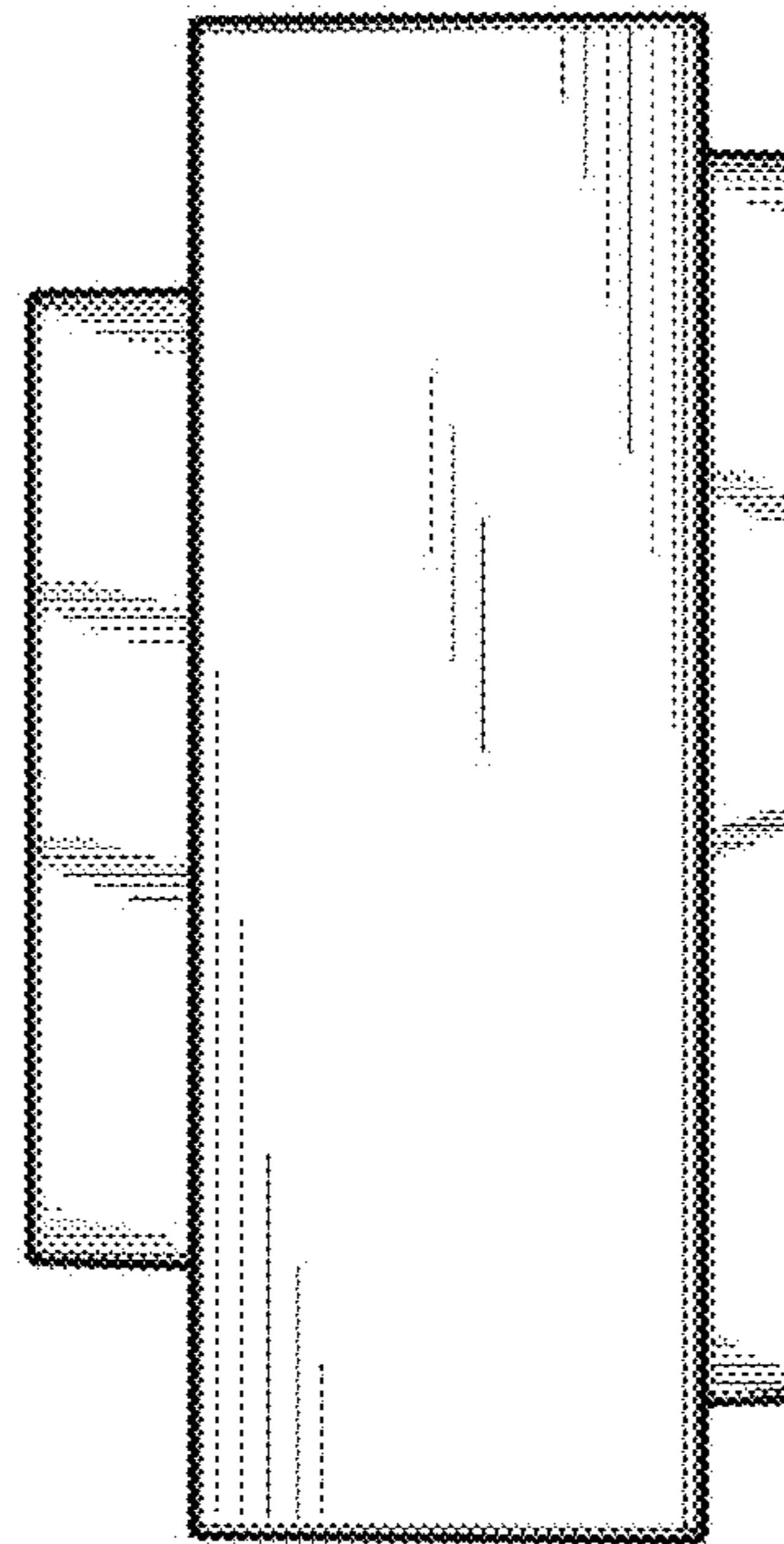
1.2



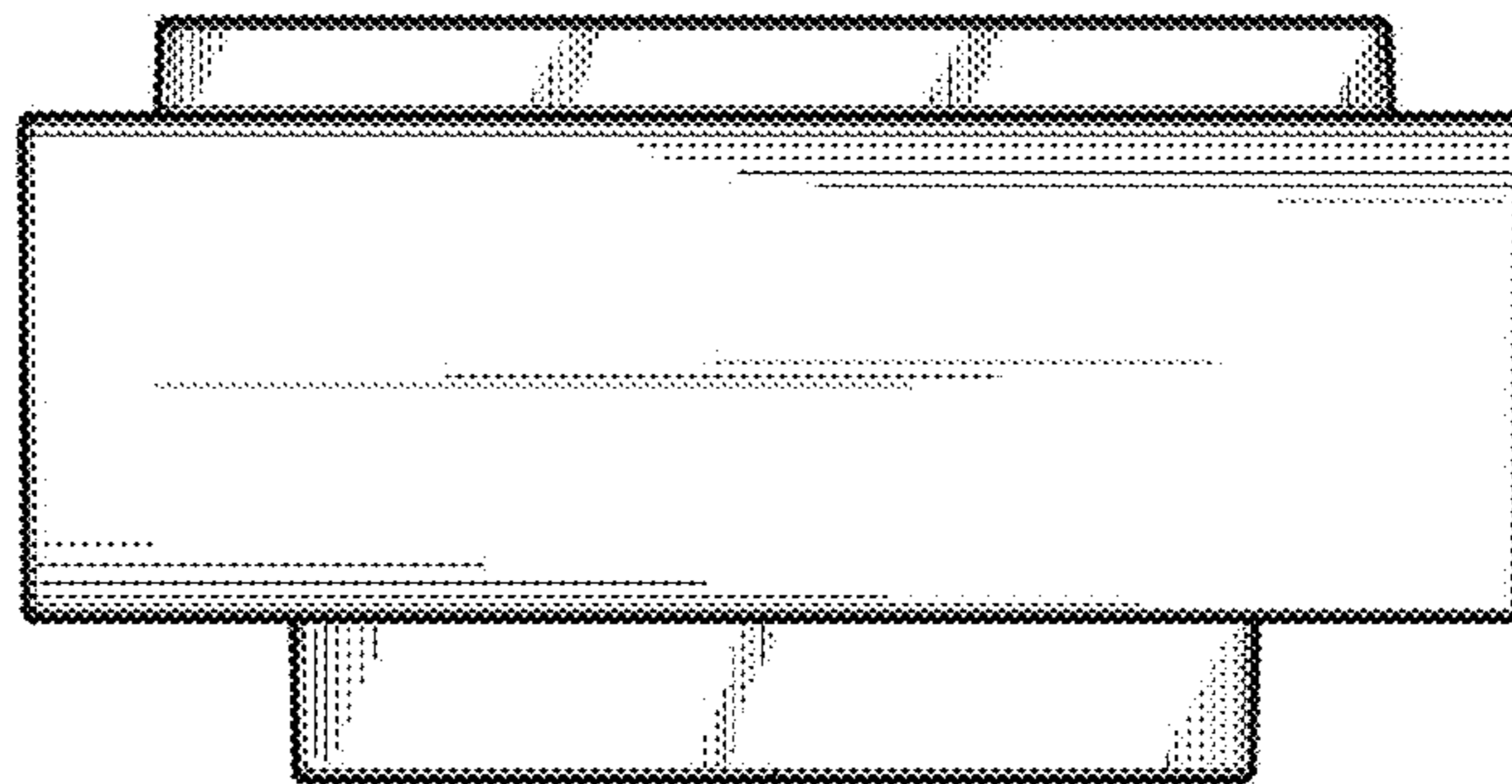
1.3



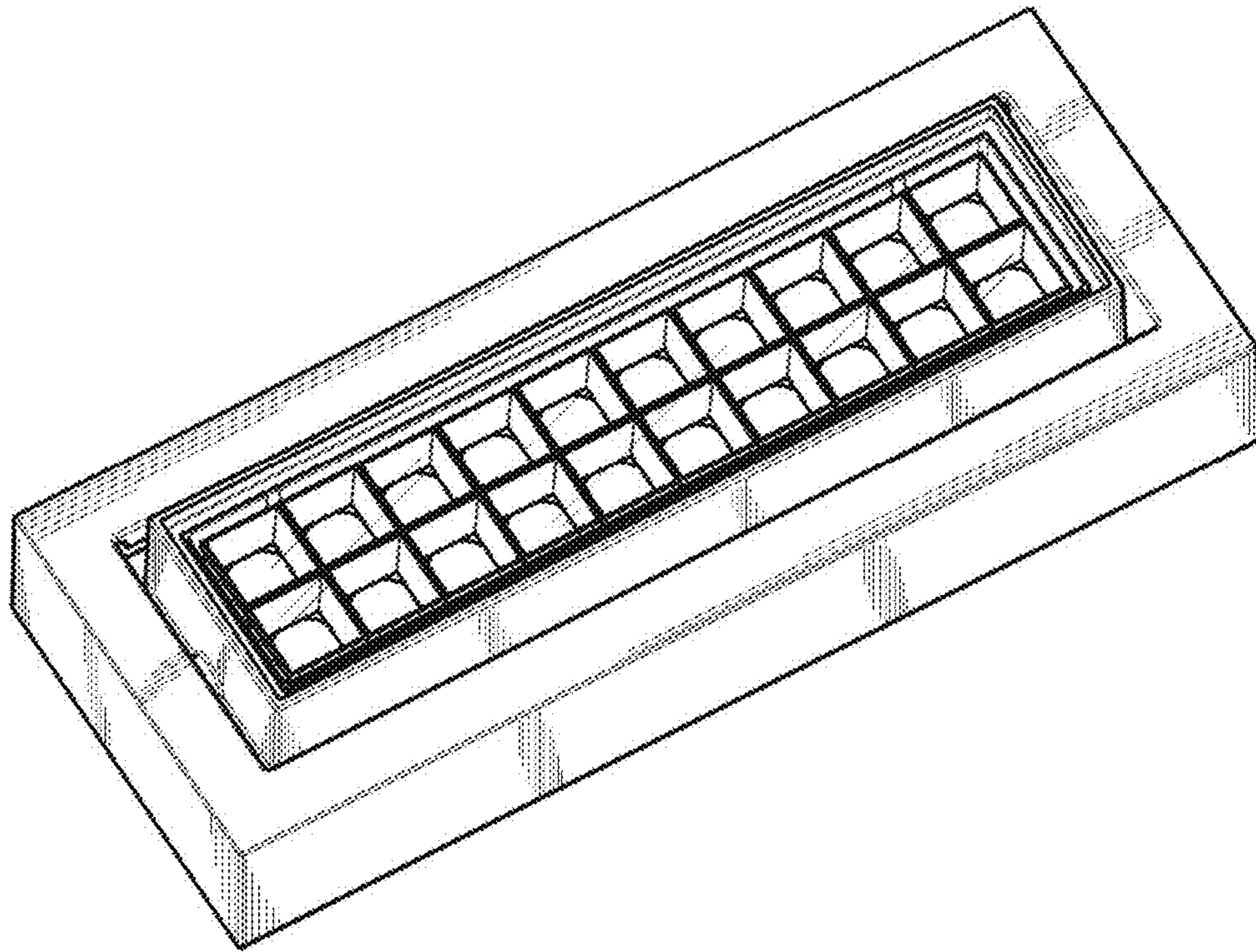
1.4



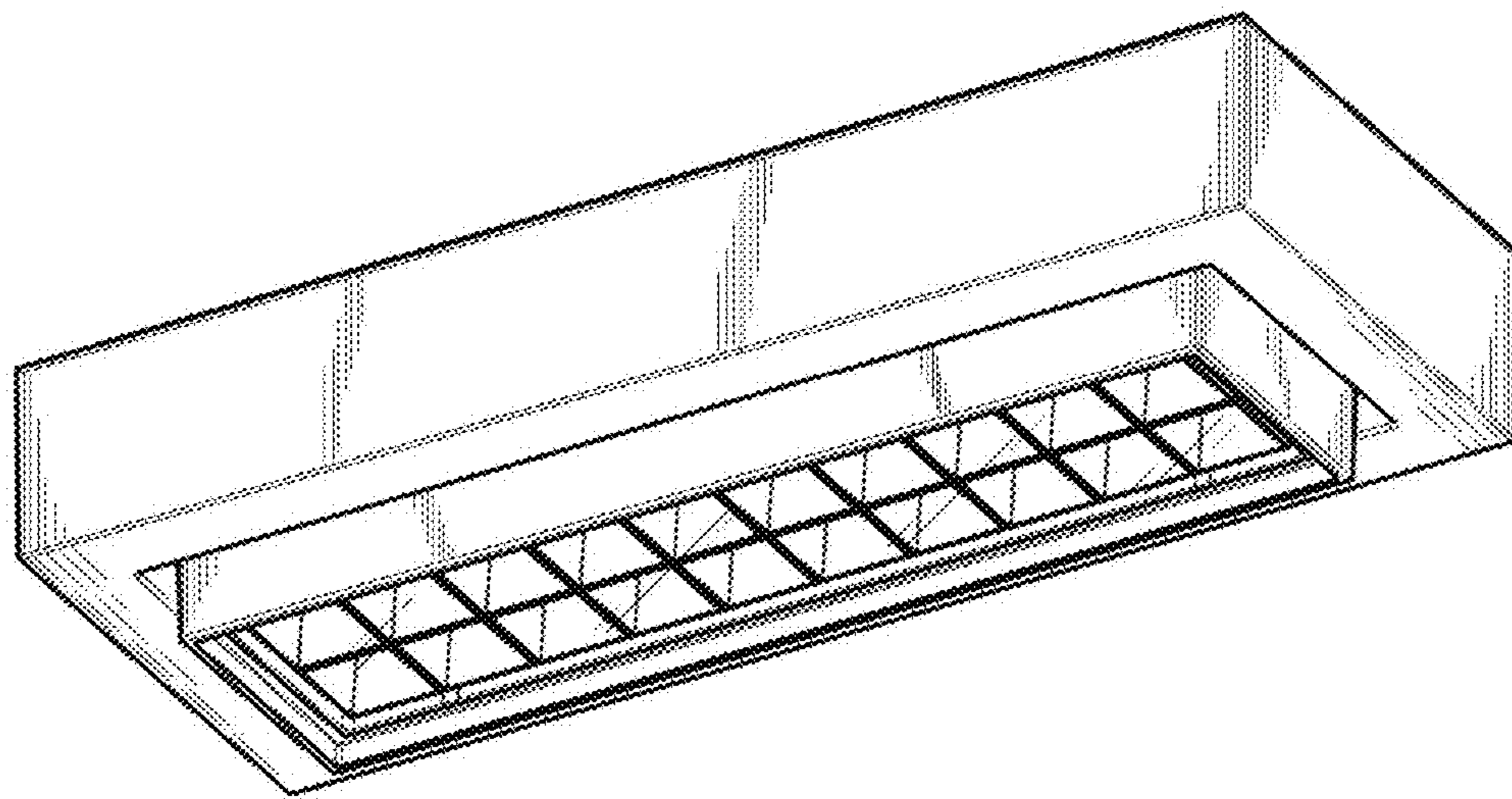
1.5



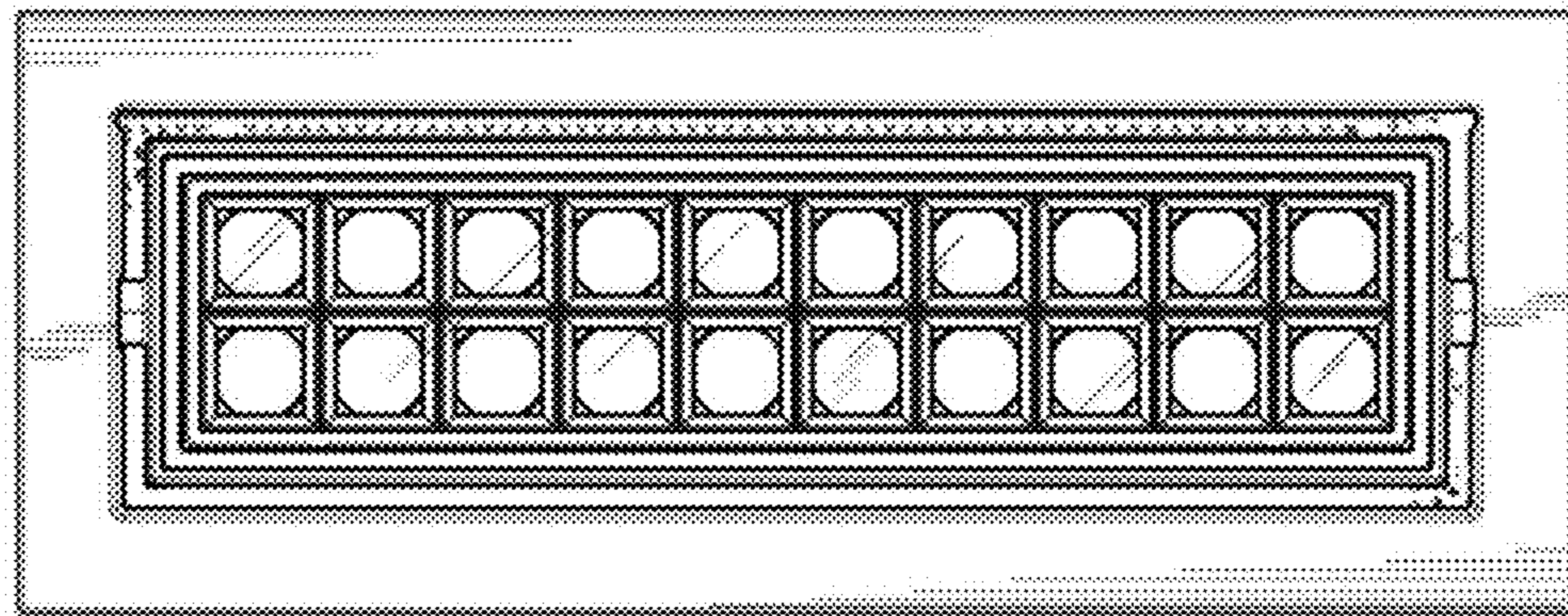
2.1



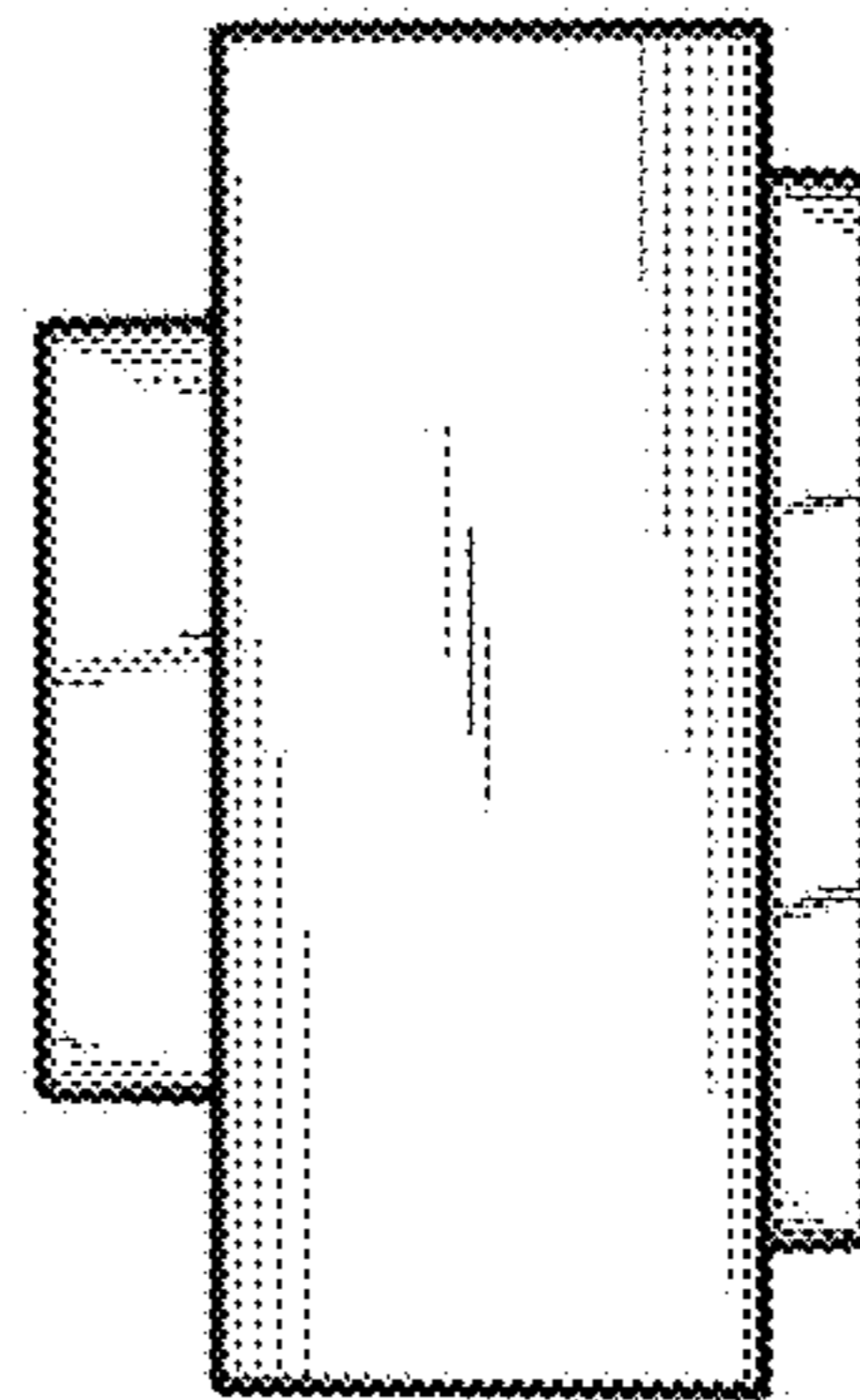
2.2



2.3



2.4



2.5

