



US00D913557S

(12) **United States Design Patent**
Hodgson

(10) **Patent No.:** **US D913,557 S**

(45) **Date of Patent:** **** Mar. 16, 2021**

(54) **FLOOR LAMP**

D733,955 S * 7/2015 Ng D26/107
D743,614 S * 11/2015 Ng D26/107
D847,403 S * 4/2019 Baker D26/107

(71) Applicant: **The Daylight Company (Holdings) Limited**, London (GB)

* cited by examiner

(72) Inventor: **Fraser Hodgson**, London (GB)

Primary Examiner — Brian N. Vinson

(73) Assignee: **The Daylight Company (Holdings) Limited**

(74) *Attorney, Agent, or Firm* — Laubscher & Laubscher, P.C.

(**) Term: **15 Years**

(21) Appl. No.: **29/684,676**

(57) **CLAIM**

(22) Filed: **Mar. 22, 2019**

The ornamental design for a floor lamp, as shown and described.

(30) **Foreign Application Priority Data**

Oct. 12, 2018 (EM) 005797743-0003

(51) **LOC (13) Cl.** **26-03**

(52) **U.S. Cl.**
USPC **D26/65**

(58) **Field of Classification Search**
USPC D26/61–65, 107, 108
CPC F21Y 2103/003; F21V 21/26; F21V 21/30;
F21V 21/14; F21V 21/28
See application file for complete search history.

DESCRIPTION

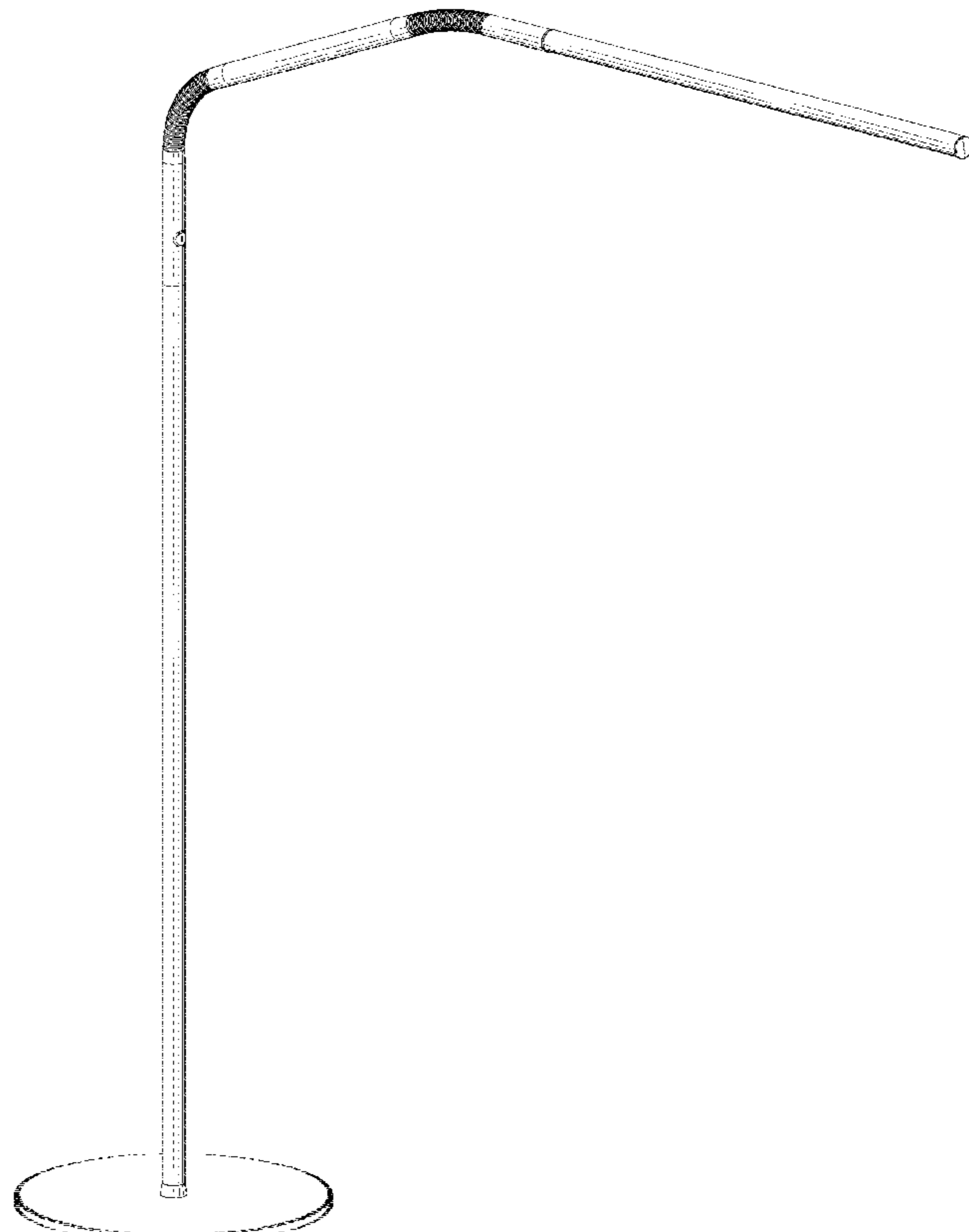
FIG. 1 is a front perspective view of a floor lamp according to my invention;
FIG. 2 is a front elevation view thereof;
FIG. 3 is a rear elevation view thereof;
FIG. 4 is a right side elevation view thereof;
FIG. 5 is a left side elevation view thereof;
FIG. 6 is a top plan view thereof; and,
FIG. 7 is a bottom plan view thereof.
The broken lines shown in the drawing are for illustrative purposes only and form no part of the claimed design.

(56) **References Cited**

U.S. PATENT DOCUMENTS

D635,707 S * 4/2011 Ng D26/65
D729,964 S * 5/2015 Huh D26/63

1 Claim, 5 Drawing Sheets



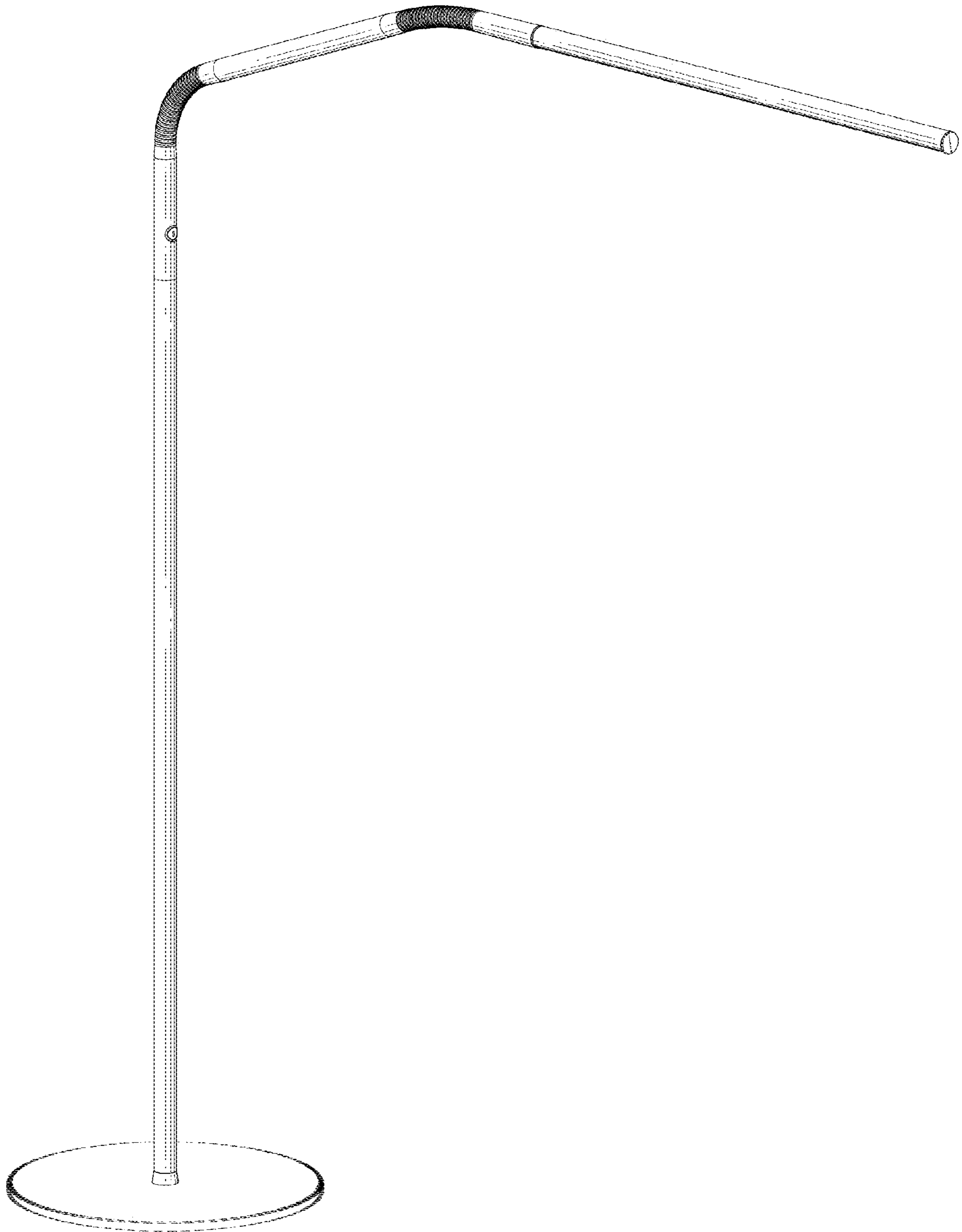


FIG. 1

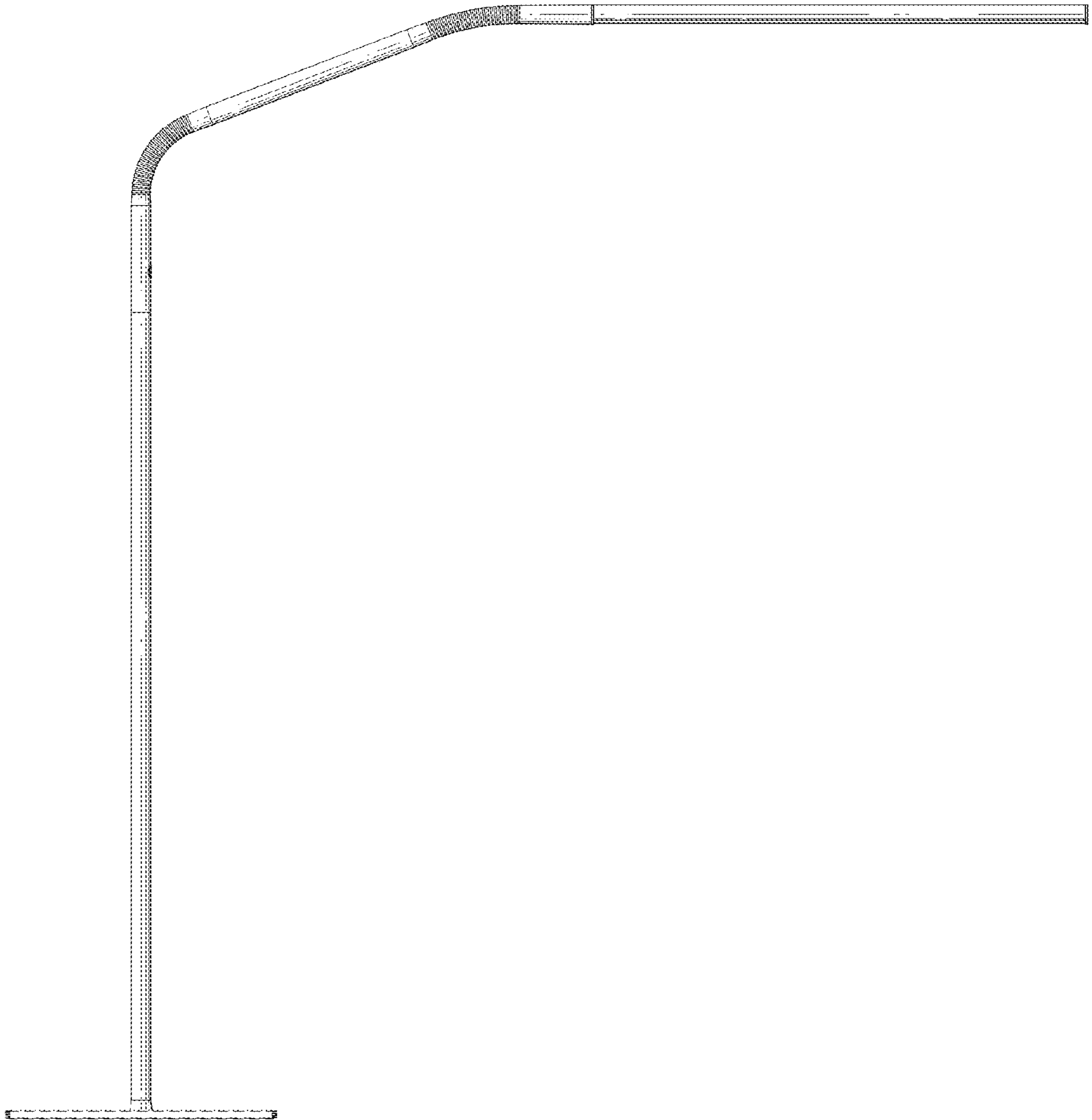


FIG. 2

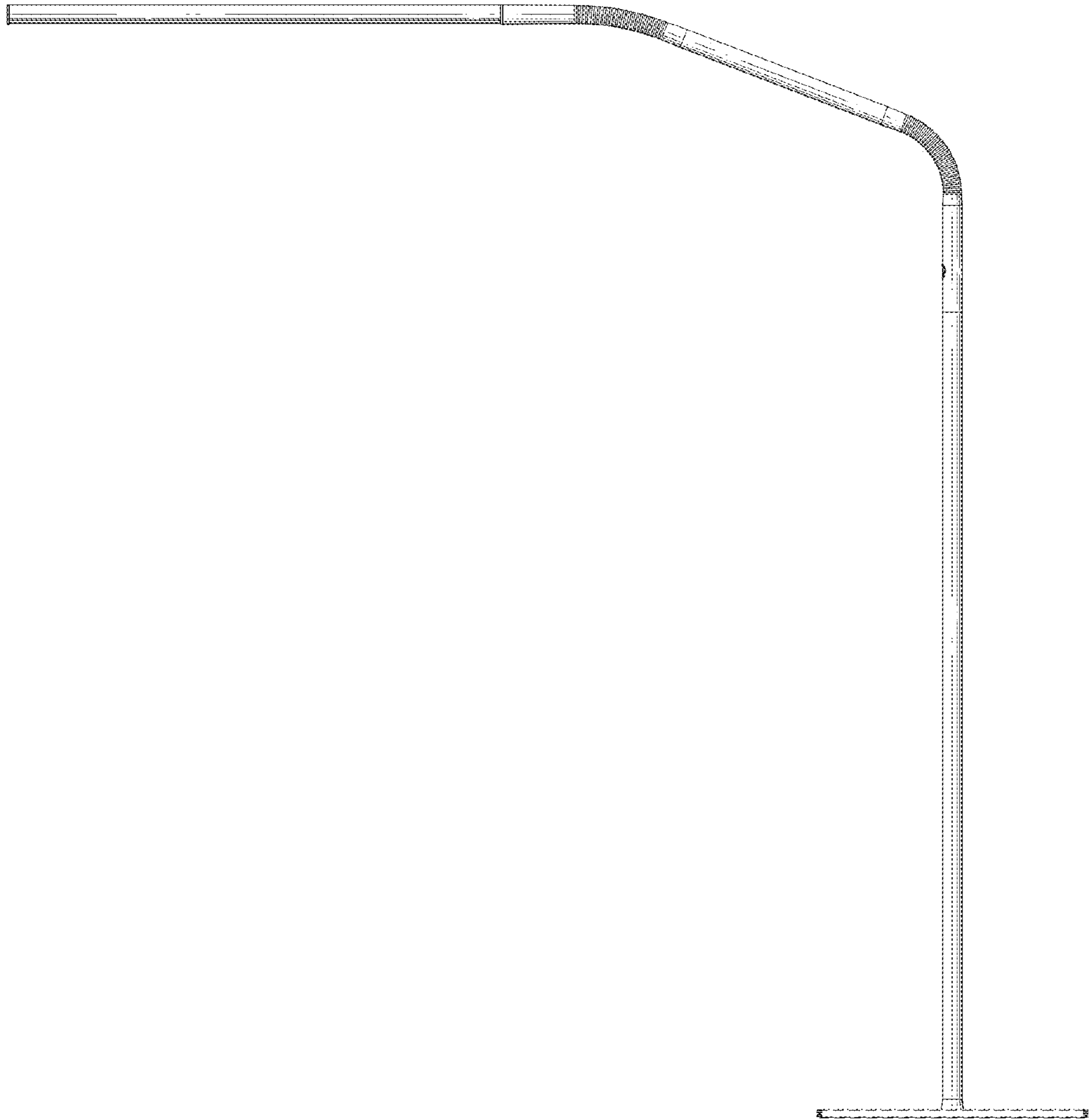


FIG. 3

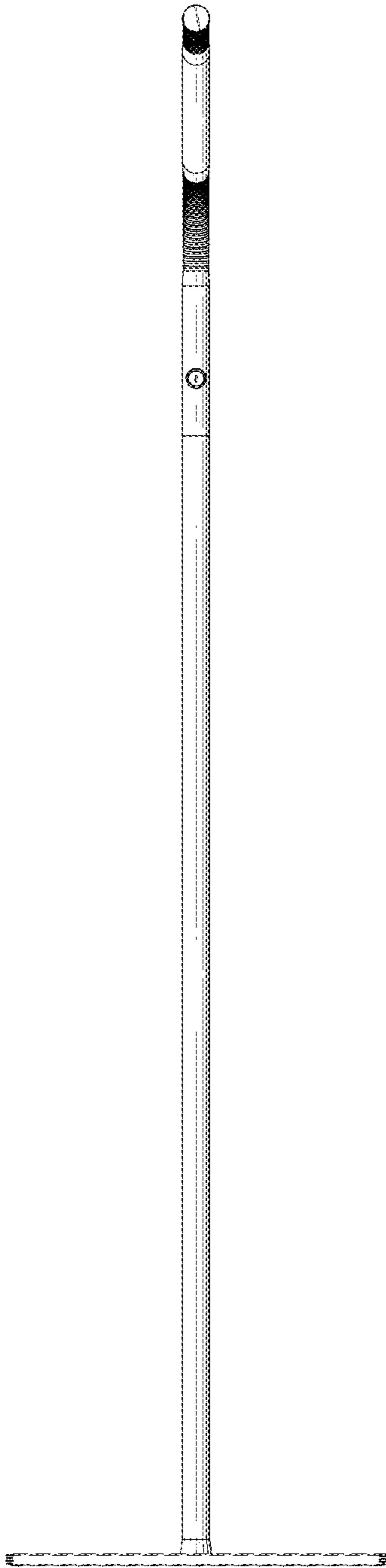


FIG. 4

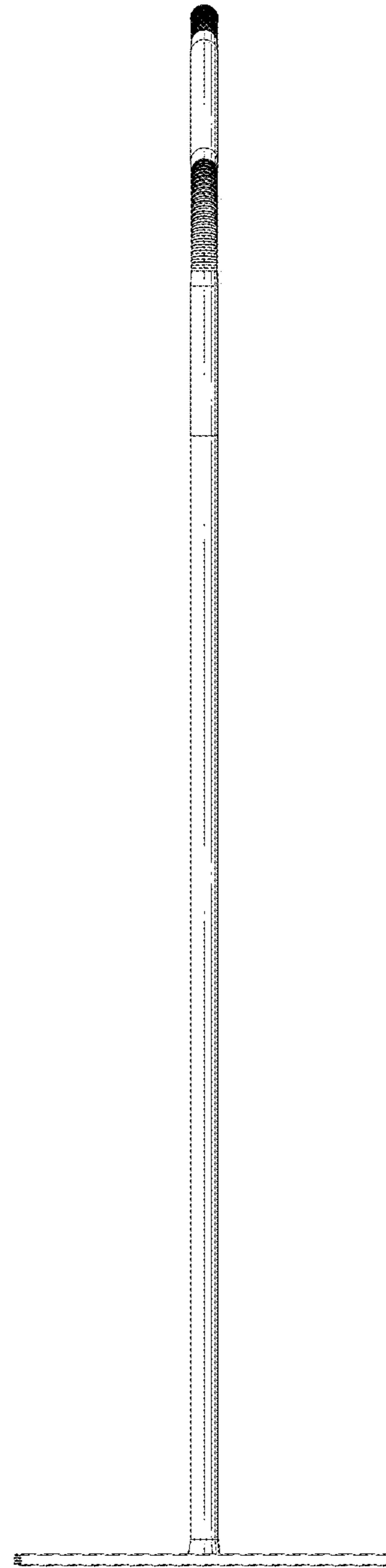


FIG. 5

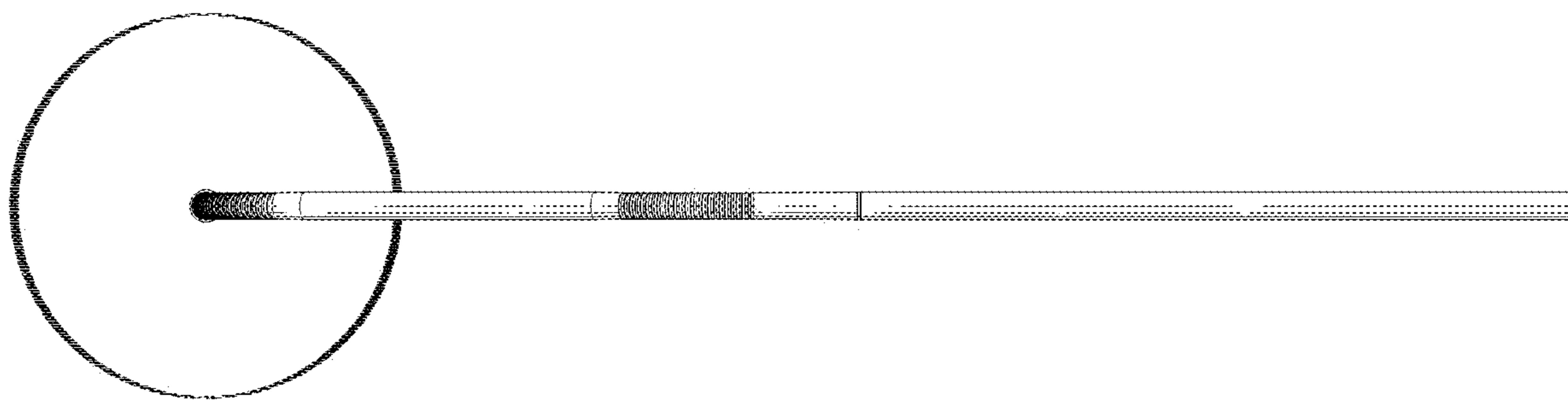


FIG. 6

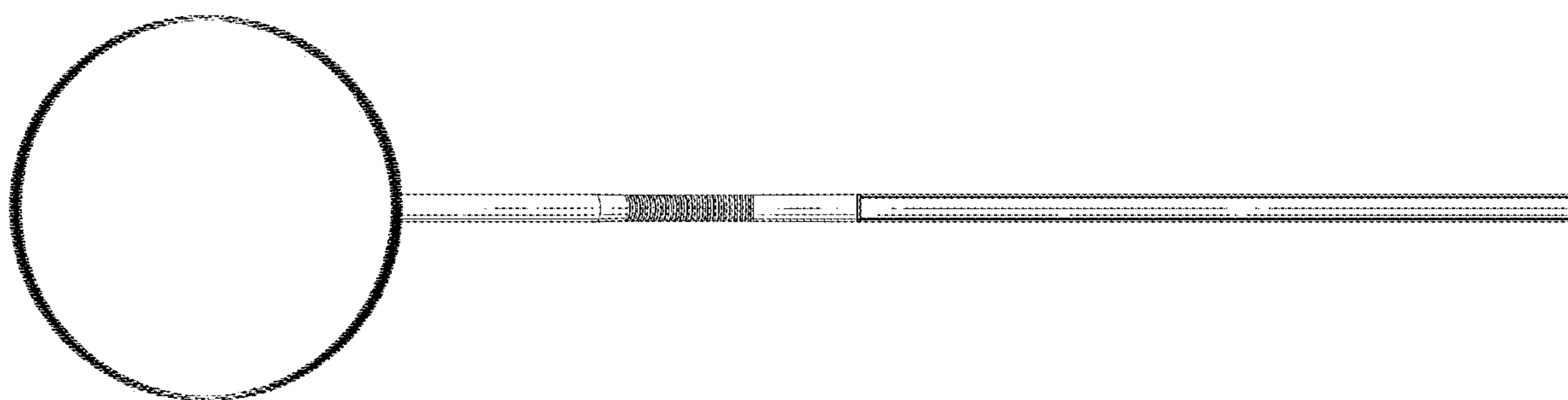


FIG. 7