



US00D913556S

(12) **United States Design Patent**
Zhou

(10) **Patent No.:** **US D913,556 S**

(45) **Date of Patent:** **** Mar. 16, 2021**

(54) **LIGHTING DEVICE**

(71) Applicant: **SHANGHAI IJOY LIGHTING TECHNOLOGY CO., LTD**, Shanghai (CN)

(72) Inventor: **Qian Zhou**, Shanghai (CN)

(73) Assignee: **Shanghai Ijoy Lighting Technology Co., Ltd**, Shanghai (CN)

(**) Term: **15 Years**

(21) Appl. No.: **29/718,900**

(22) Filed: **Dec. 30, 2019**

(30) **Foreign Application Priority Data**

Oct. 23, 2019 (CN) 201930579292.2

(51) **LOC (13) Cl.** **26-03**

(52) **U.S. Cl.**
USPC **D26/63**

(58) **Field of Classification Search**
USPC D26/24, 51, 61, 63, 72, 80
CPC F21S 8/04; F21S 8/00; F21W 2131/10;
F21V 21/00; F21V 21/26; F21V 21/14;
F21V 17/02; F21V 21/30

See application file for complete search history.

(56) **References Cited**

U.S. PATENT DOCUMENTS

D327,953	S	*	7/1992	Jordan	D26/28
D597,237	S	*	7/2009	Kumthampinij	D26/61
D693,509	S	*	11/2013	Hosick	D26/63
D903,918	S	*	12/2020	Pi	D26/63
2013/0148351	A1	*	6/2013	Georgitsis	F21V 29/507 362/239

* cited by examiner

Primary Examiner — Brian N. Vinson

(74) *Attorney, Agent, or Firm* — Muncy, Geissler, Olds & Lowe, P.C.

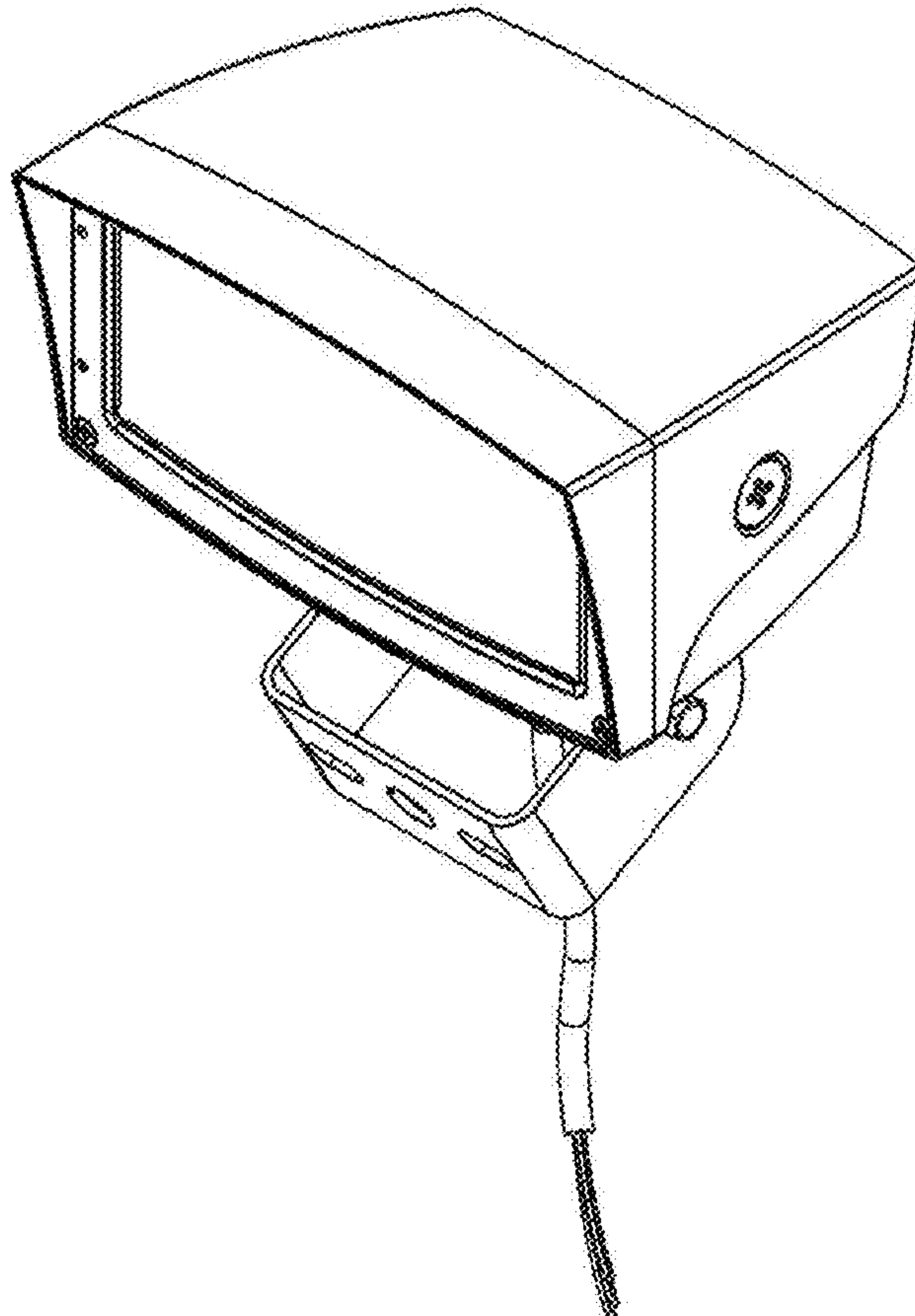
(57) **CLAIM**

The ornamental design for a lighting device, as shown and described.

DESCRIPTION

FIG. 1 is a front elevational view of a lighting device showing my new design;
FIG. 2 is a rear elevational view thereof;
FIG. 3 is a left side view thereof;
FIG. 4 is a right side view thereof;
FIG. 5 is a top plan view thereof; and
FIG. 6 is a bottom plan view thereof; and,
FIG. 7 is a perspective view thereof.

1 Claim, 6 Drawing Sheets



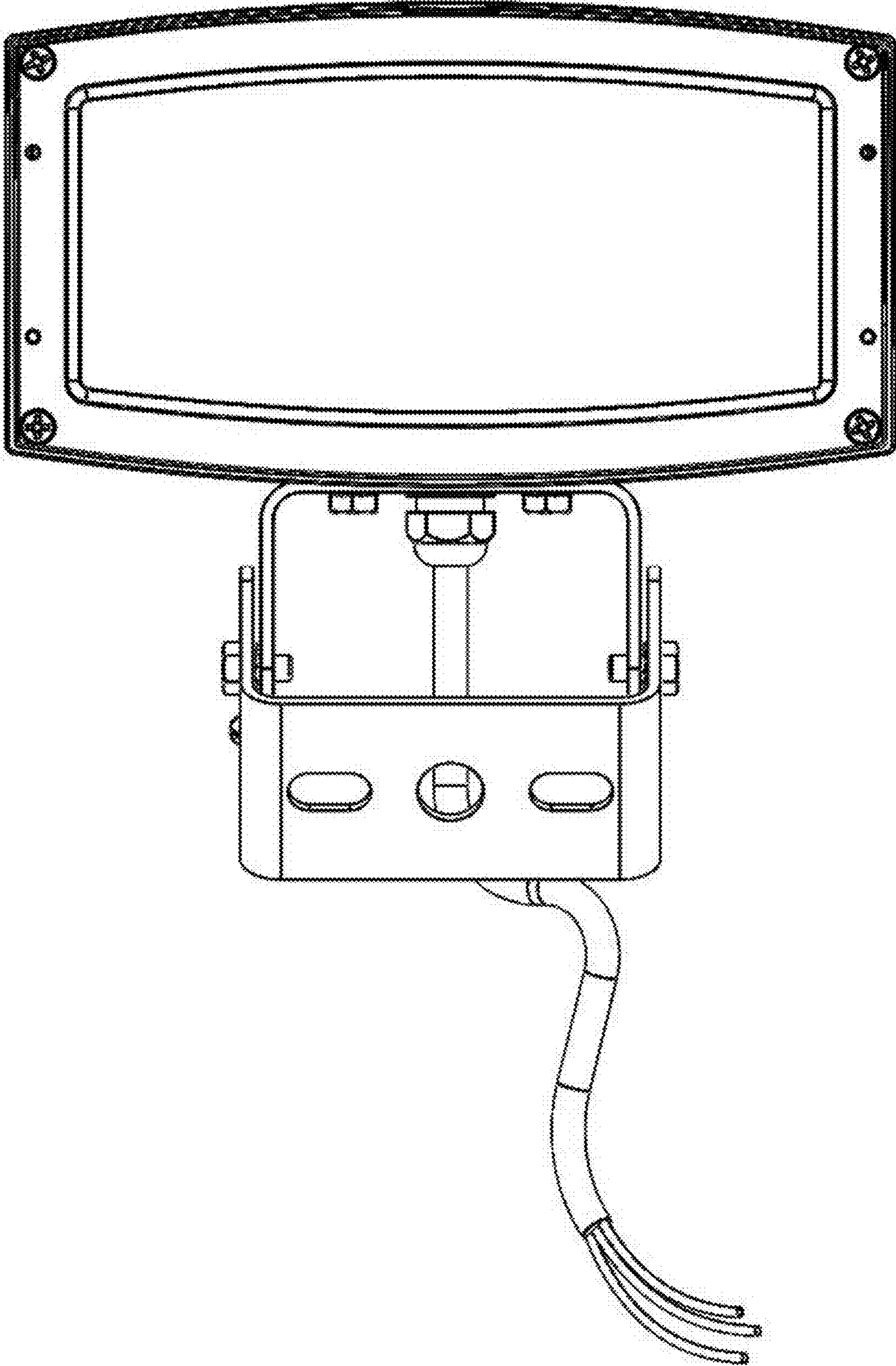


FIG 1

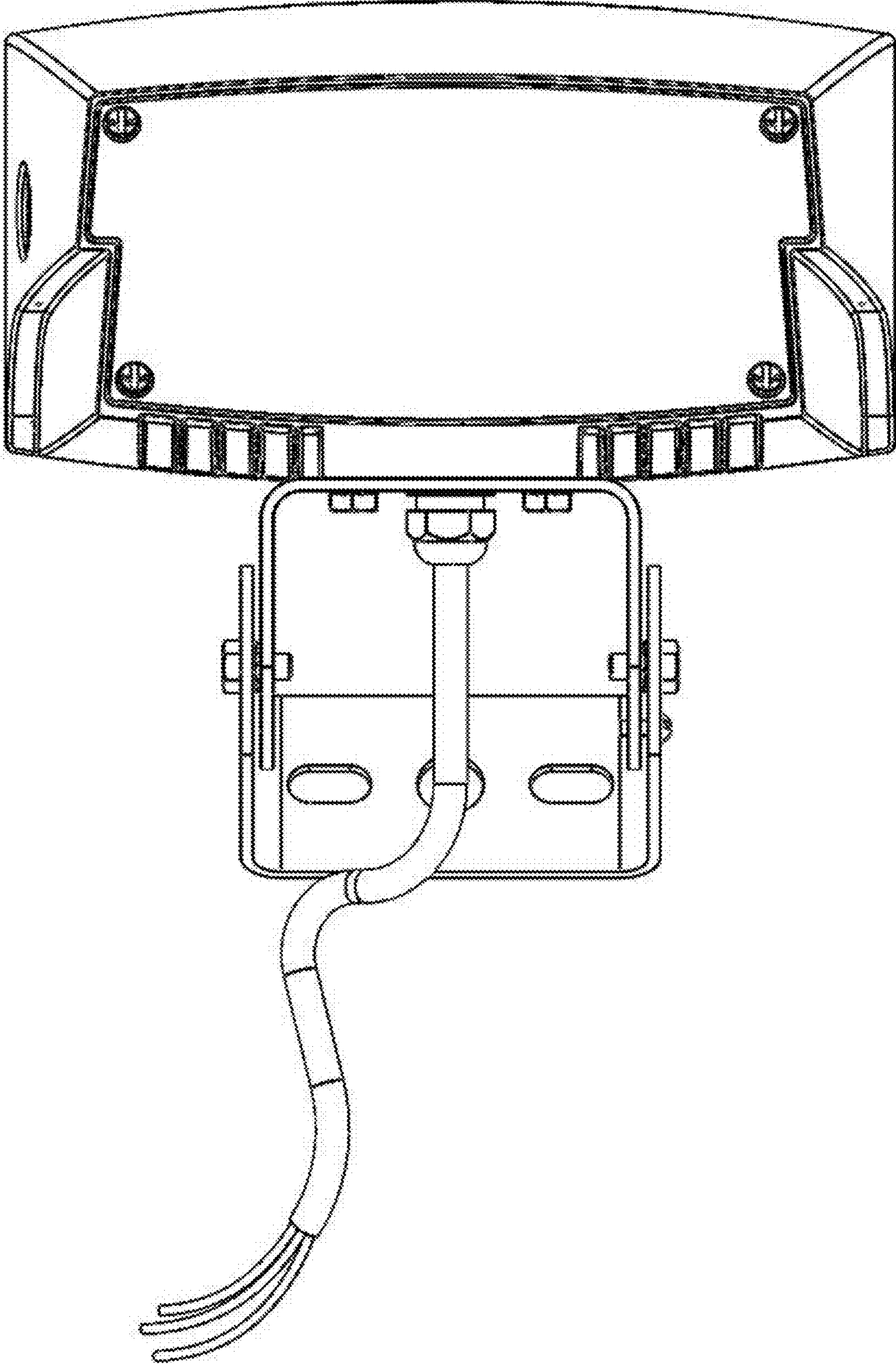


FIG 2

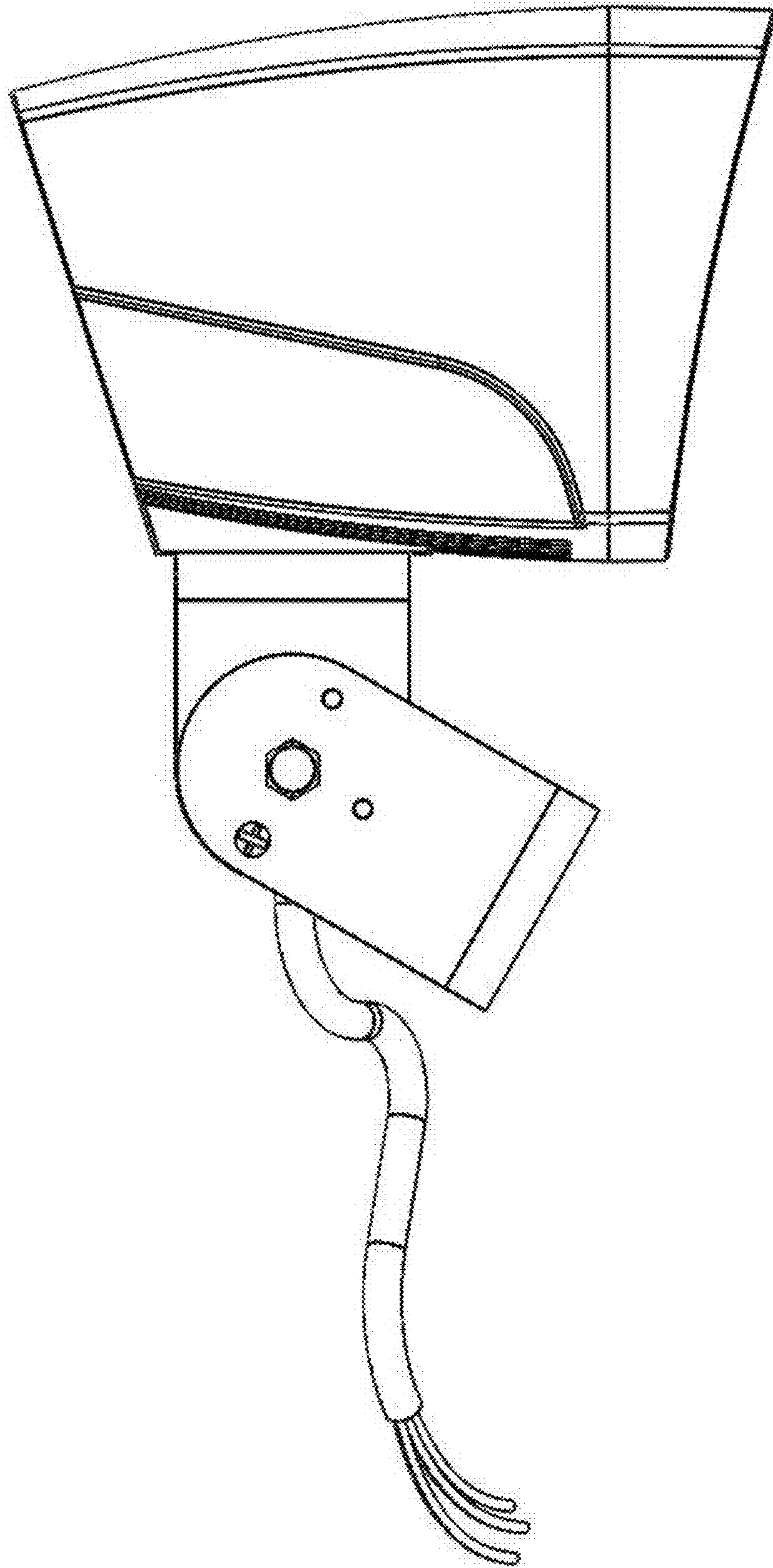


FIG 3

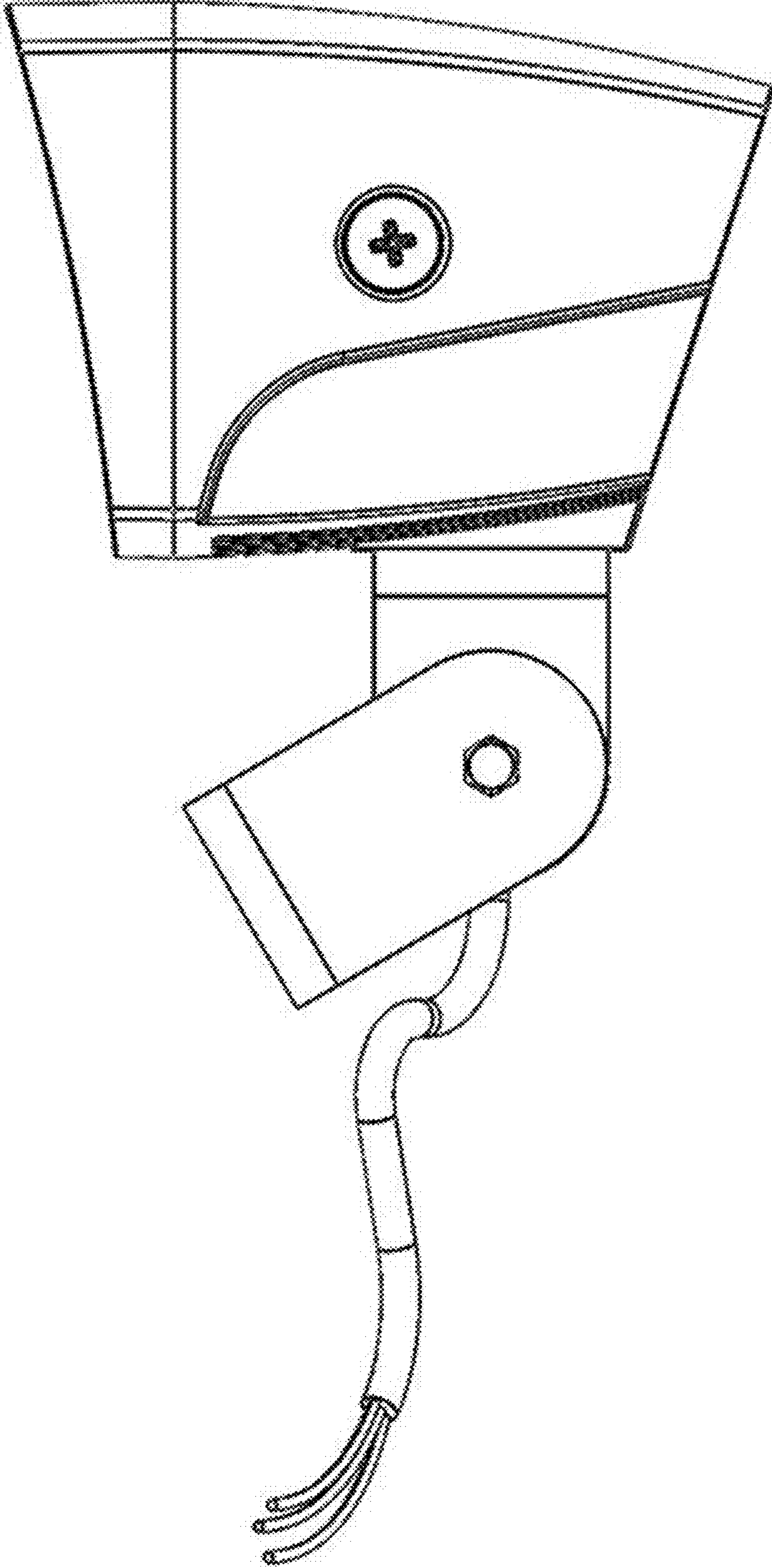


FIG 4

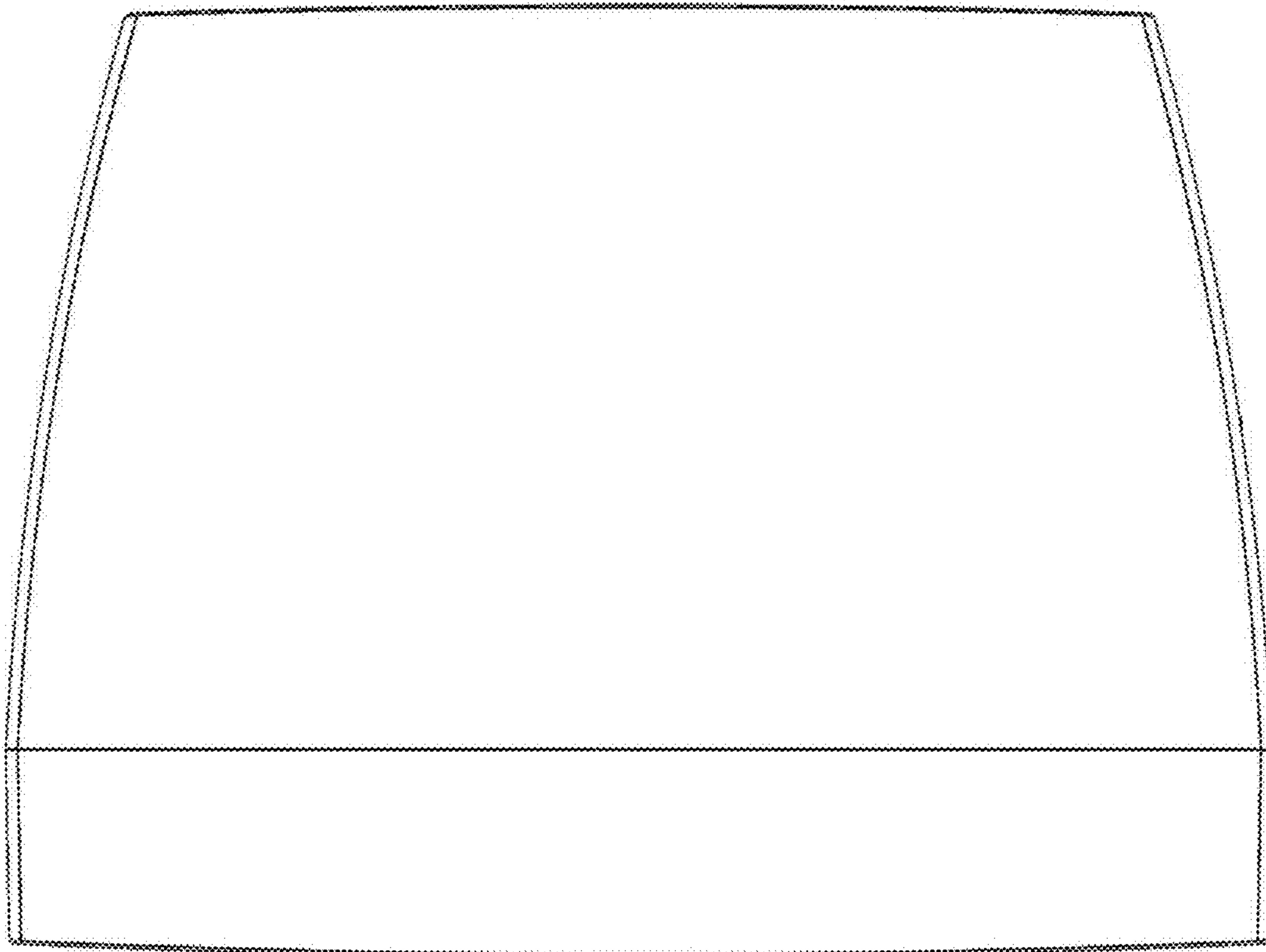


FIG 5

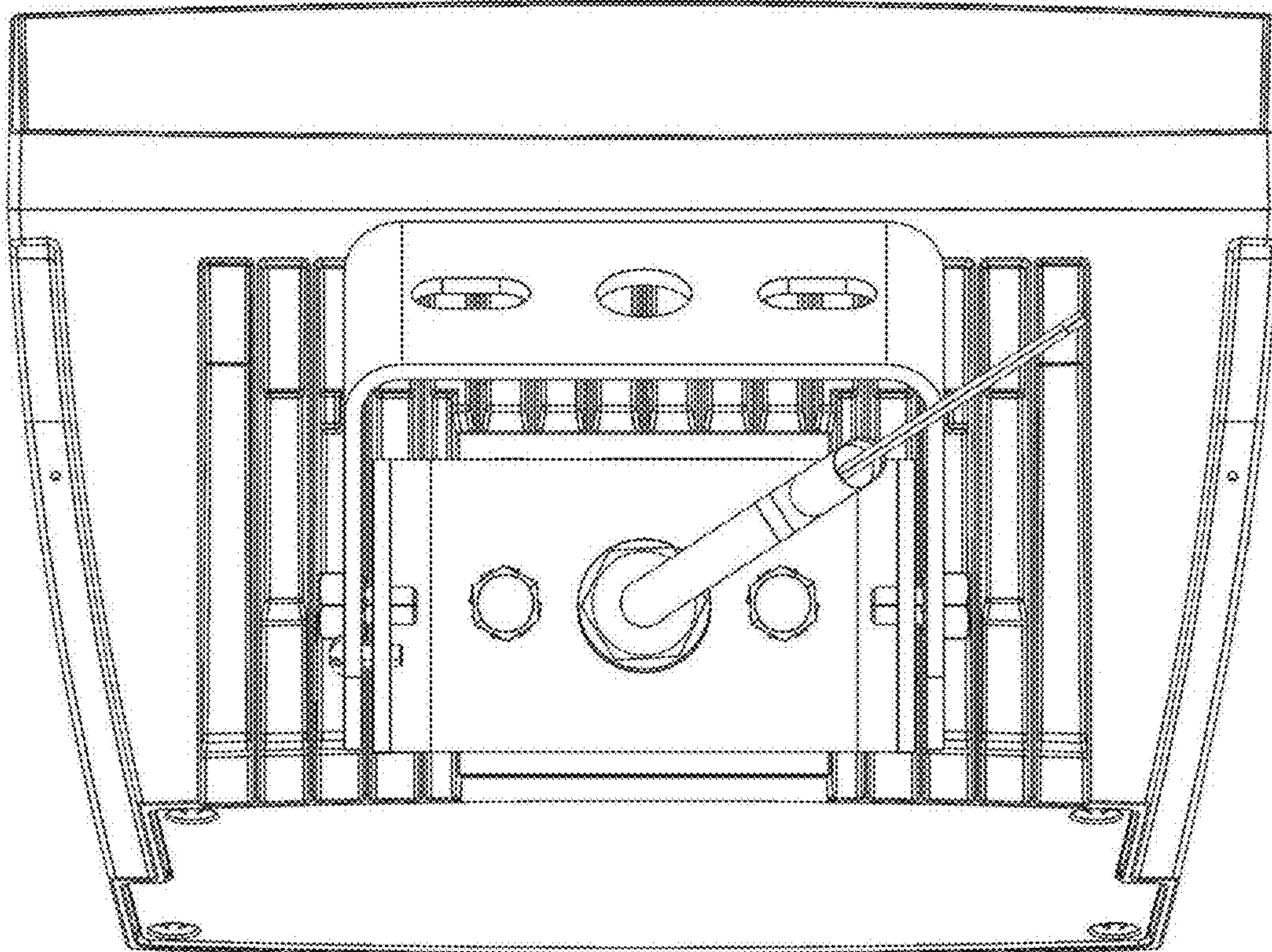


FIG 6

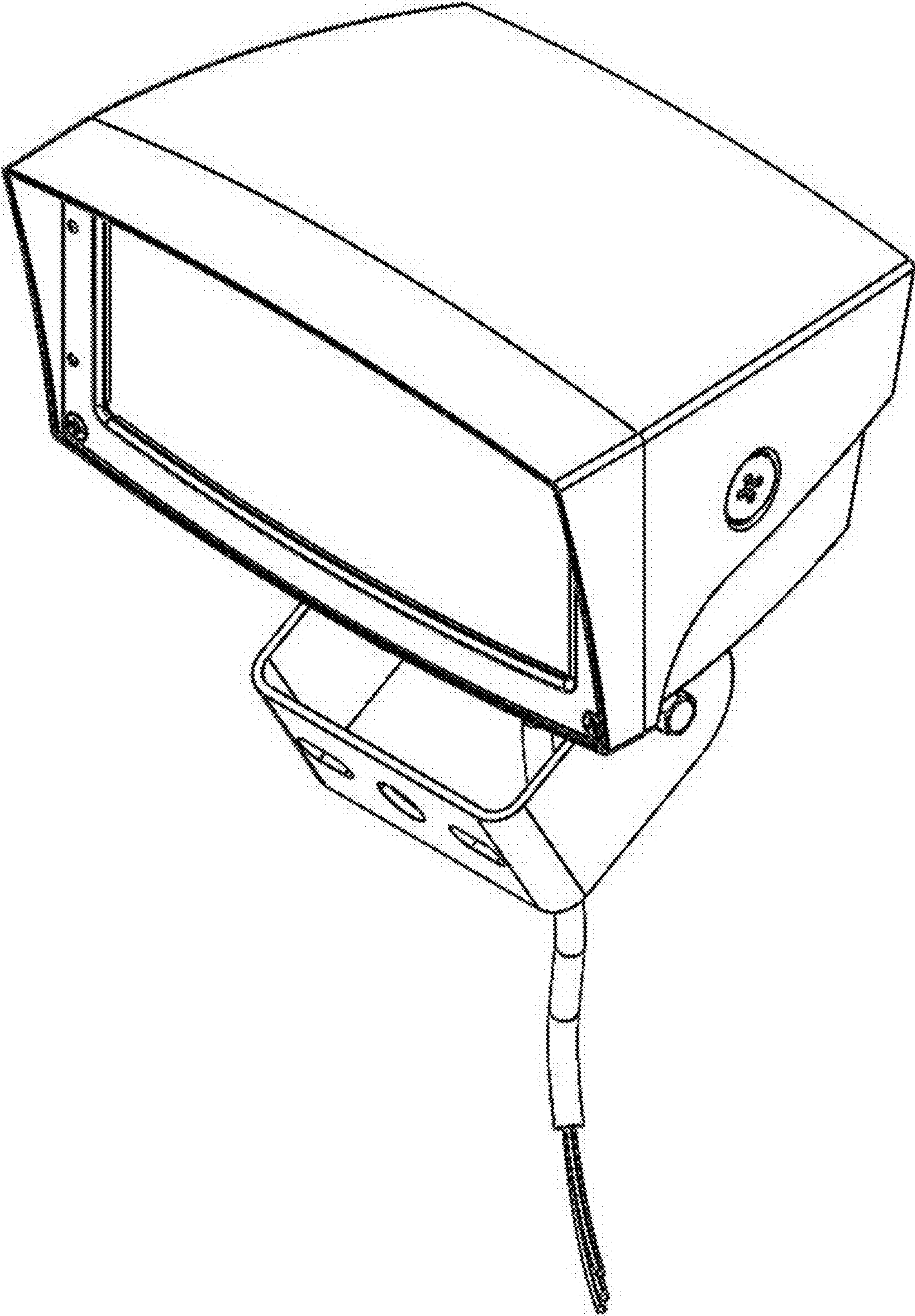


FIG 7