



US00D913555S

(12) **United States Design Patent**
Harders

(10) **Patent No.:** **US D913,555 S**

(45) **Date of Patent:** **** Mar. 16, 2021**

(54) **LOW-VOLTAGE LIGHT**

(71) Applicant: **Patrick Harders**, Sterling, VA (US)

(72) Inventor: **Patrick Harders**, Sterling, VA (US)

(**) Term: **15 Years**

(21) Appl. No.: **29/704,090**

(22) Filed: **Aug. 31, 2019**

(51) **LOC (13) Cl.** **26-03**

(52) **U.S. Cl.**
USPC **D26/63**

(58) **Field of Classification Search**
USPC D26/24, 60–71, 85, 92, 113, 118, 119
CPC F21V 21/14; F21V 15/01; F21V 14/02;
F21V 21/30; F21V 14/00; F21Y
2105/001; F21S 8/00
See application file for complete search history.

(56) **References Cited**

U.S. PATENT DOCUMENTS

D797,975 S * 9/2017 Lentine D26/63
9,752,761 B2 * 9/2017 Lentine F21S 6/001
10,125,956 B2 * 11/2018 Veloskey F21S 8/081
D853,612 S * 7/2019 Zhu D26/63

D874,703 S * 2/2020 Wu D26/63
2017/0198887 A1 * 7/2017 Veloskey F21V 17/02
2020/0191366 A1 * 6/2020 Mullen F21V 21/0824

* cited by examiner

Primary Examiner — Brian N. Vinson

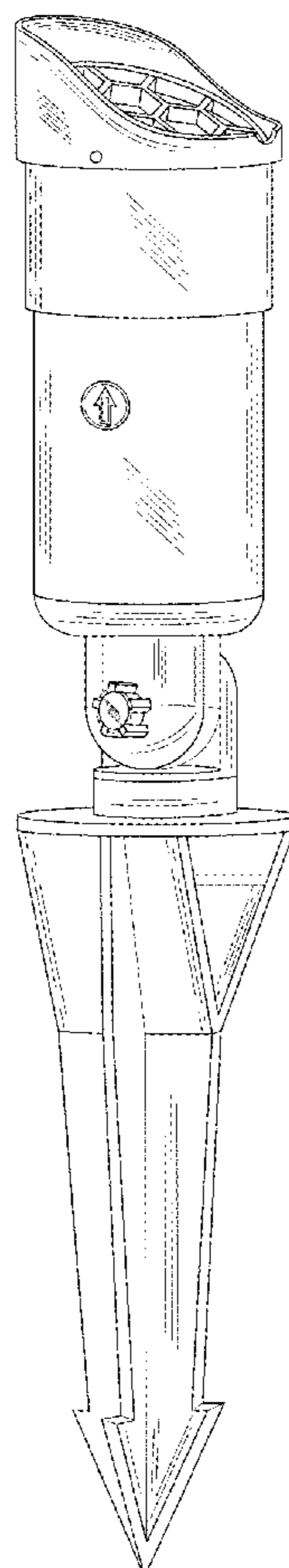
(57) **CLAIM**

The ornamental design for a low-voltage lights, as shown and described.

DESCRIPTION

FIG. 1 shows an isometric view of a low voltage light having the design of the present invention.
FIG. 2 depicts a left side view of a low voltage light having the design of the present invention.
FIG. 3 is a right side view of a low voltage light having the design of the present invention.
FIG. 4 presents a top view of a low voltage light having the design of the present invention.
FIG. 5 shows a bottom view of a low voltage light having the design of the present invention.
FIG. 6 depicts a front side view of a low voltage light having the design of the present invention; and,
FIG. 7 is a rear side view of a low voltage light having the design of the present invention.

1 Claim, 4 Drawing Sheets



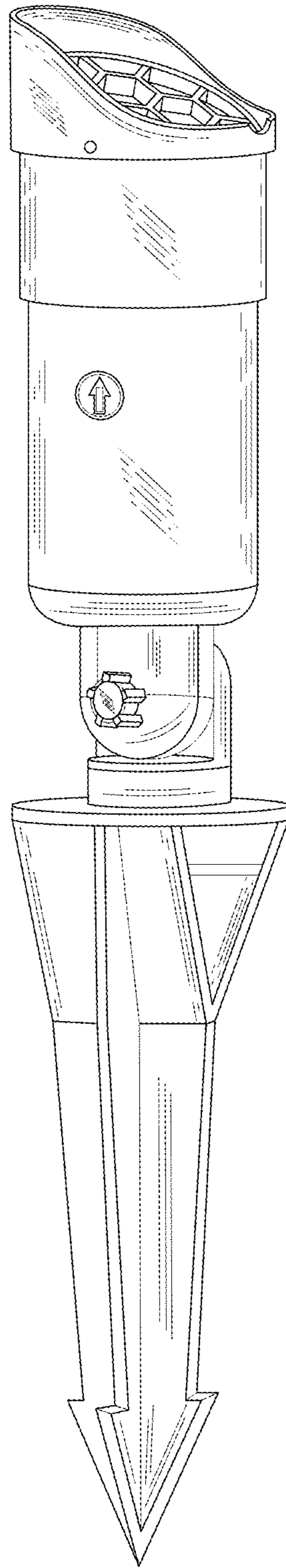


Fig. 1

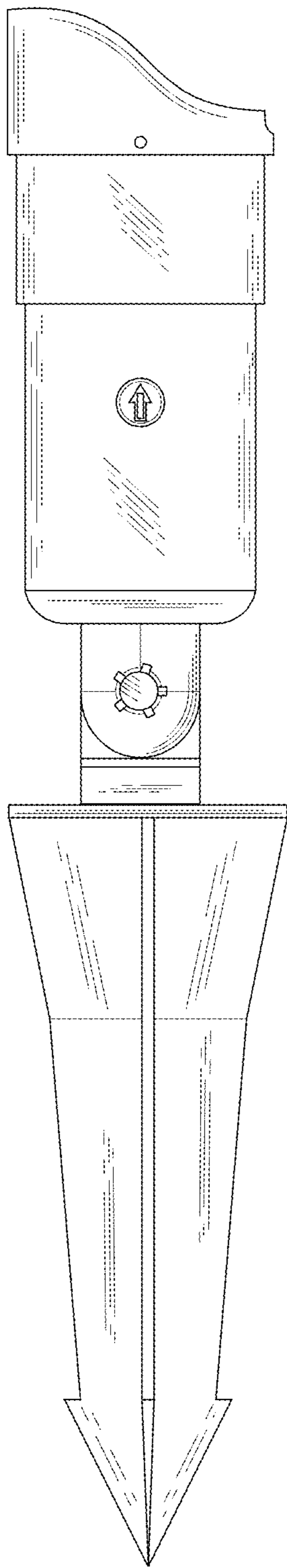


Fig. 2

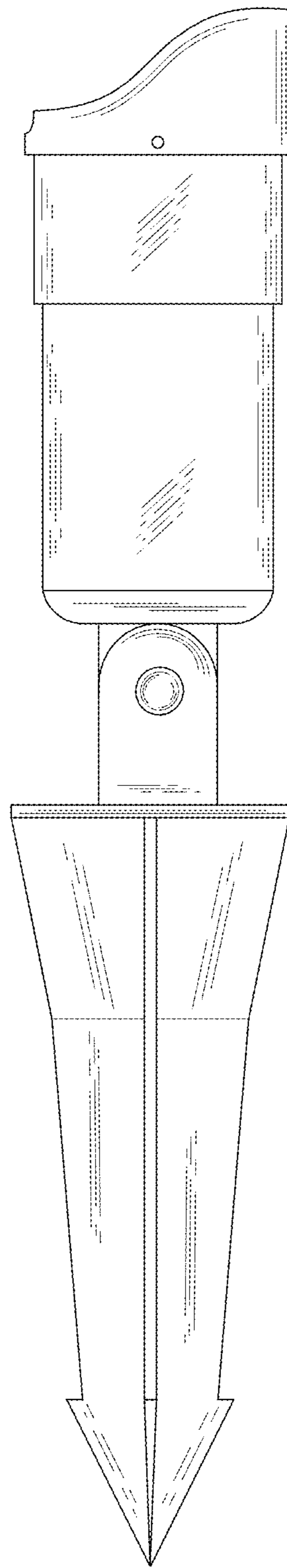


Fig. 3

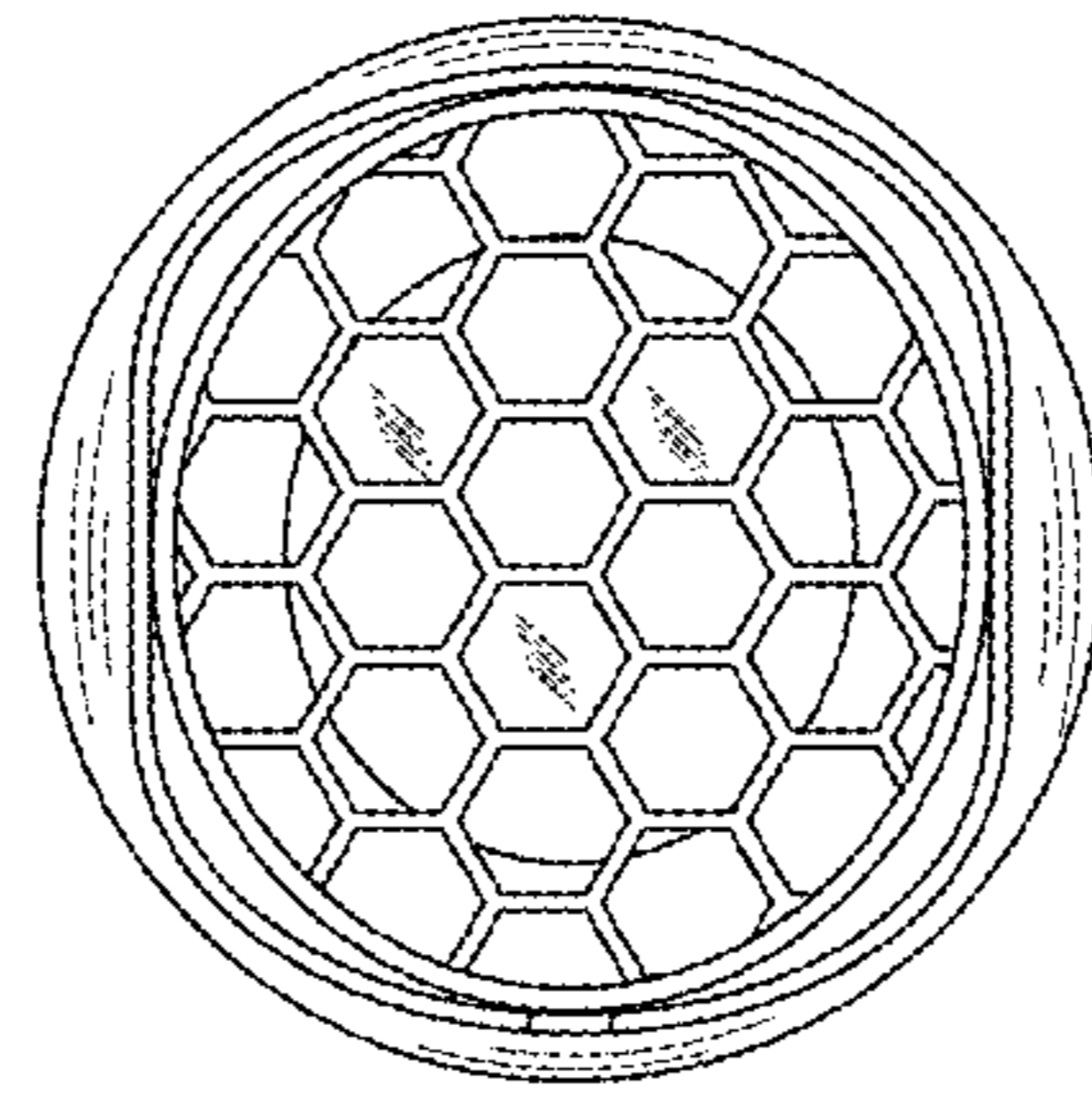


Fig. 4

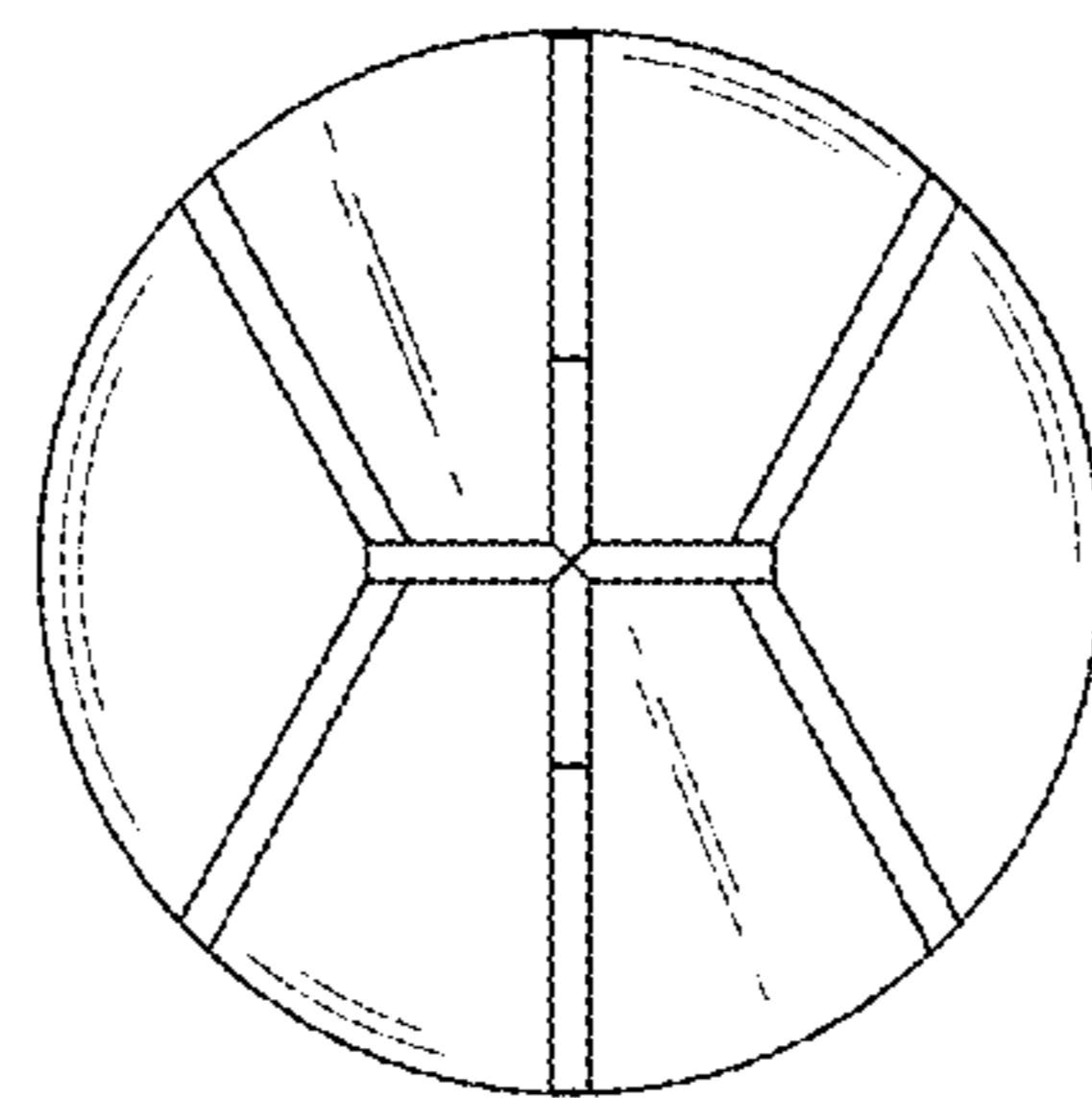


Fig. 5

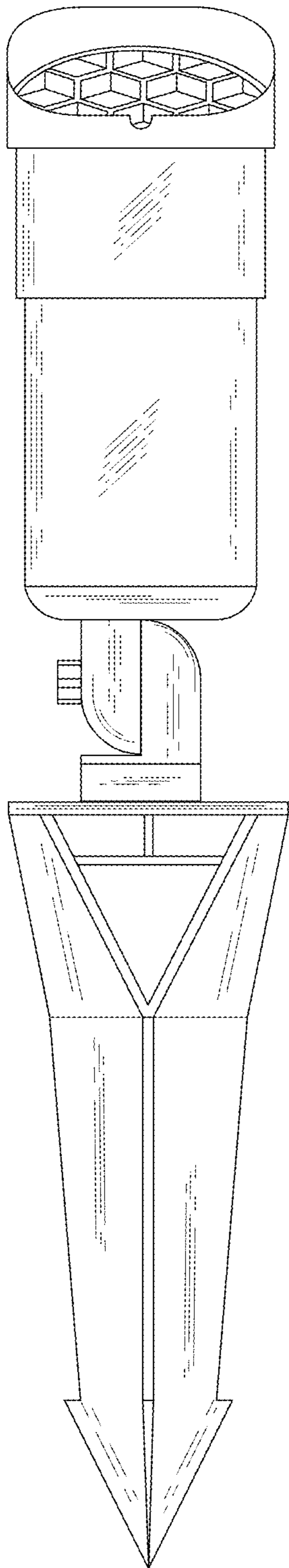


Fig. 6

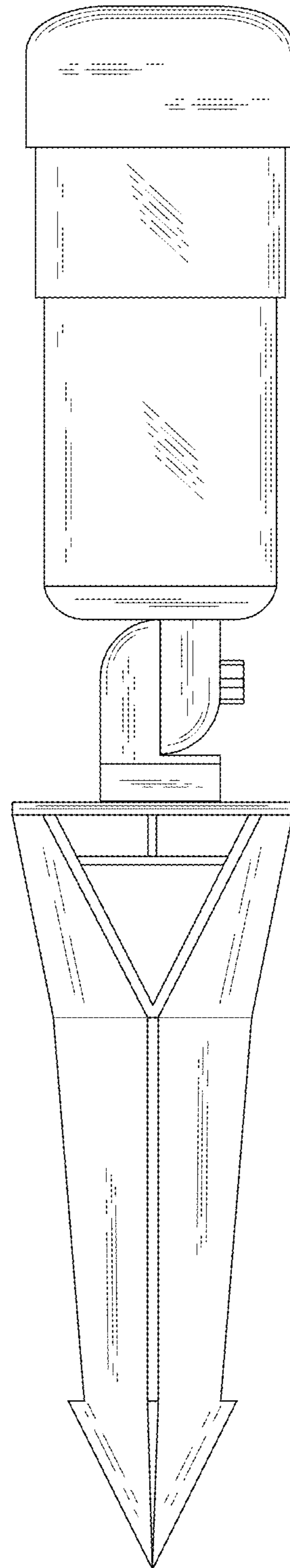


Fig. 7