



US00D913553S

(12) **United States Design Patent**
Worman

(10) **Patent No.:** **US D913,553 S**
(45) **Date of Patent:** **** Mar. 16, 2021**

- (54) **MOUNTABLE LIGHT**
- (71) Applicant: **STREAMLIGHT, INC.**, Eagleville, PA (US)
- (72) Inventor: **William D. Worman**, Phoenixville, PA (US)
- (73) Assignee: **Streamlight, Inc.**, Eagleville, PA (US)

D674,858 S	1/2013	Galli	
8,944,626 B2	2/2015	Matthews et al.	
D788,965 S	6/2017	Roshak et al.	
9,810,411 B2 *	11/2017	Galli	F21V 29/70
9,874,337 B2	1/2018	Galli et al.	
D813,340 S	3/2018	Galli	
9,958,143 B2	5/2018	Galli et al.	
D829,841 S	10/2018	Galli	
D857,960 S *	8/2019	Worman	D26/60
2008/0040965 A1 *	2/2008	Solinsky	F41G 1/345 42/90

(**) Term: **15 Years**

* cited by examiner

(21) Appl. No.: **29/711,471**

Primary Examiner — Brian N. Vinson

(22) Filed: **Oct. 31, 2019**

(74) *Attorney, Agent, or Firm* — Clement A. Berard, Esq.;
Dann, Dorfman, Herrell & Skillman, PC

(51) **LOC (13) Cl.** **26-03**

(57) **CLAIM**

(52) **U.S. Cl.**
USPC **D26/60; D26/28**

The ornamental design for a mountable light, substantially as shown and described.

(58) **Field of Classification Search**
USPC D26/28, 60; D8/334
CPC B62J 6/001; B62J 6/02; B62J 6/003; F21S 4/00; F21S 48/00; F21S 48/20; F21V 21/00; F21V 21/08; F21V 21/088; F21W 2101/023

DESCRIPTION

See application file for complete search history.

FIG. 1 is a perspective view of an ornamental design for a mountable light;
FIG. 2 is a second perspective view thereof;
FIG. 3 is a side view of a first side thereof;
FIG. 4 is a side view of a second side thereof;
FIG. 5 is a side view of a third side thereof;
FIG. 6 is a side view of a fourth side thereof;
FIG. 7 is an end view of a first end thereof; and,
FIG. 8 is an end view of a second end thereof.

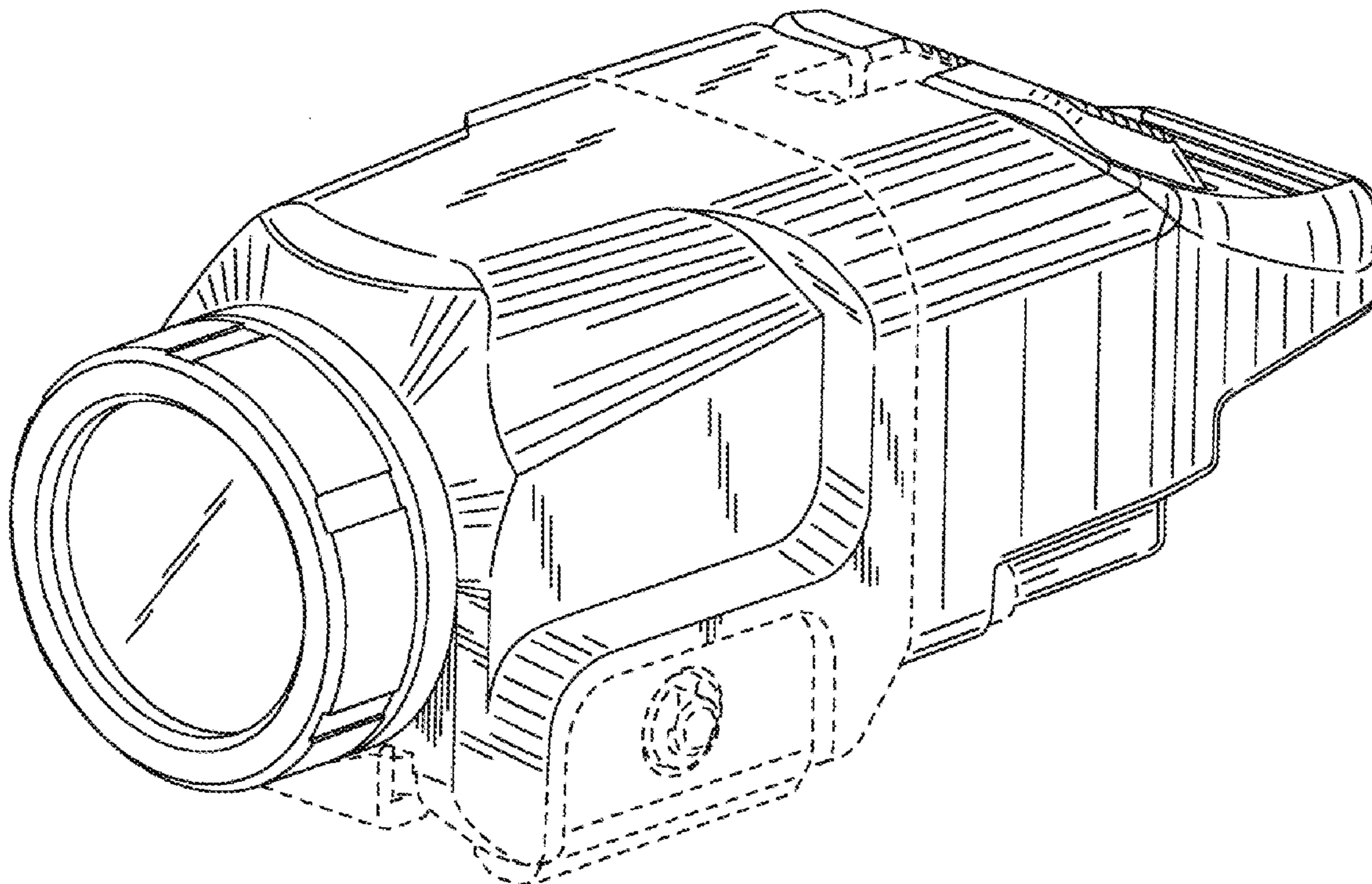
(56) **References Cited**

U.S. PATENT DOCUMENTS

D548,385 S *	8/2007	Sharrah	D26/60
D567,894 S	4/2008	Sterling et al.	
D612,970 S *	3/2010	Sharrah	D26/60
D630,359 S *	1/2011	Kang	D26/61
8,096,674 B2	1/2012	Matthews et al.	
D673,709 S *	1/2013	Sharrah	D26/60

Broken lines in the DRAWING indicate unclaimed parts of the article that are not claimed herein, and that form no part of the claimed design.

1 Claim, 4 Drawing Sheets



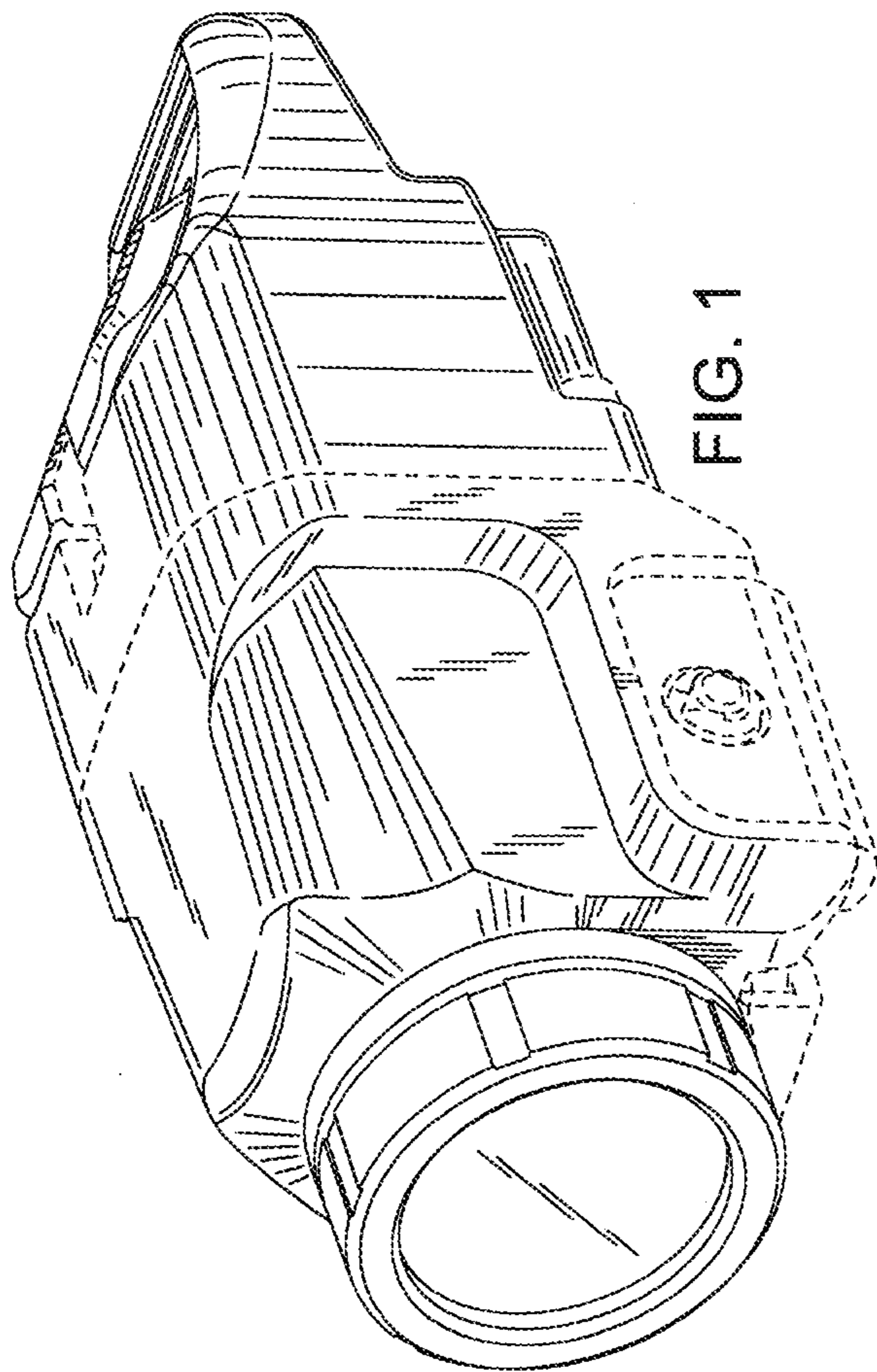


FIG. 1

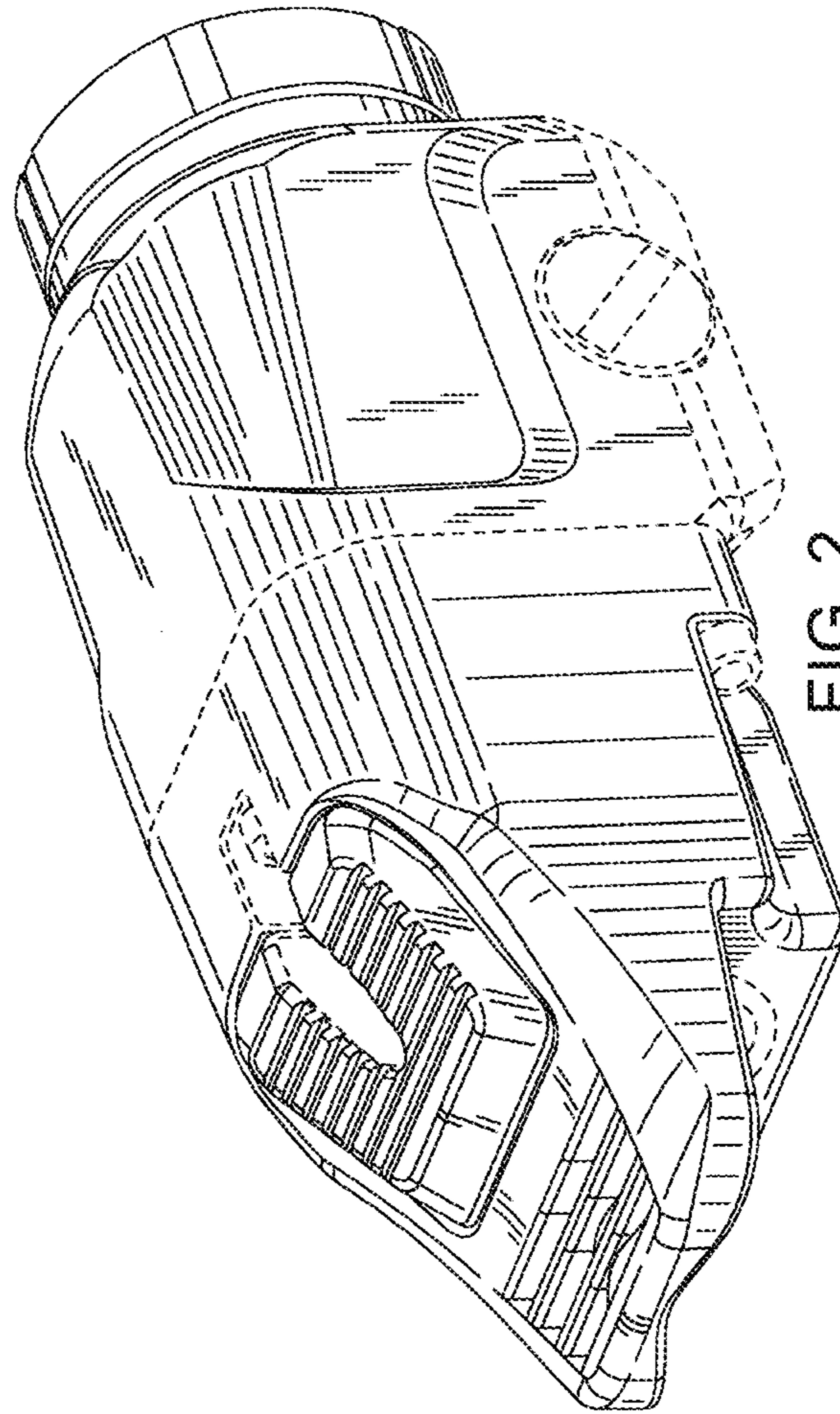


FIG. 2

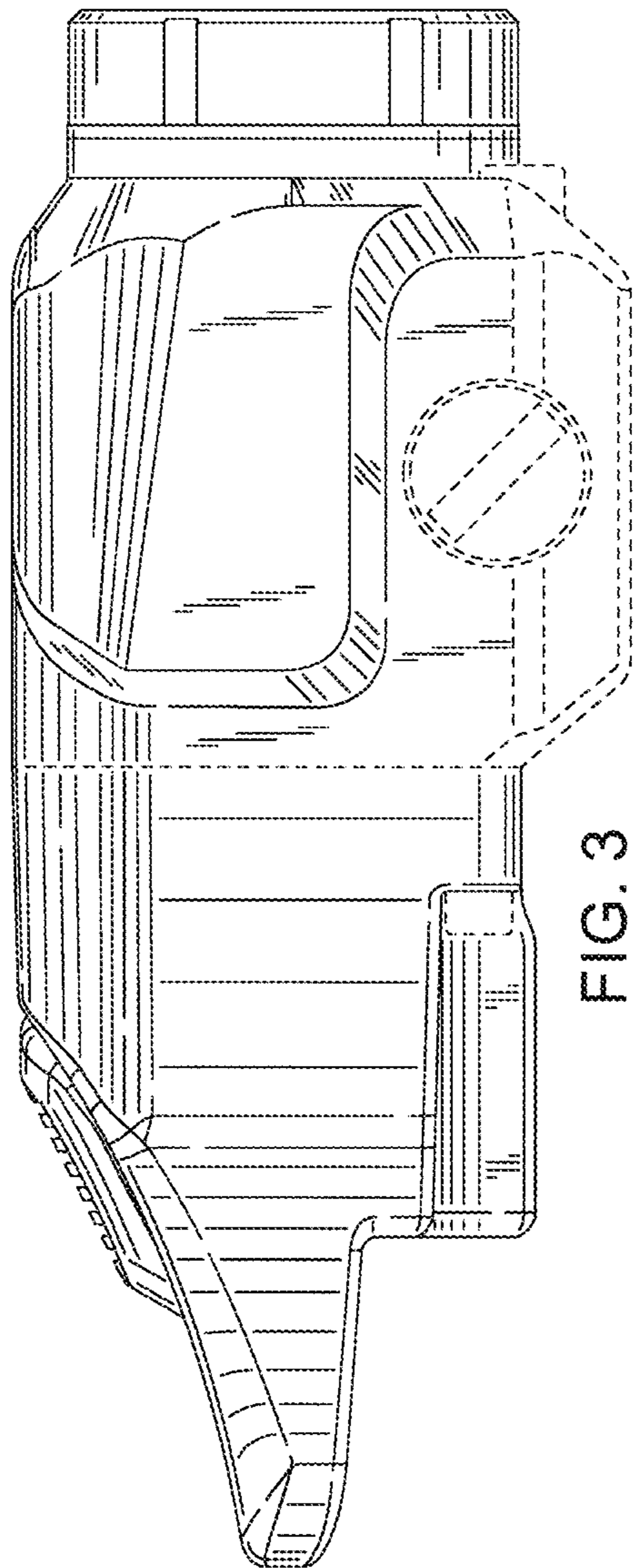


FIG. 3

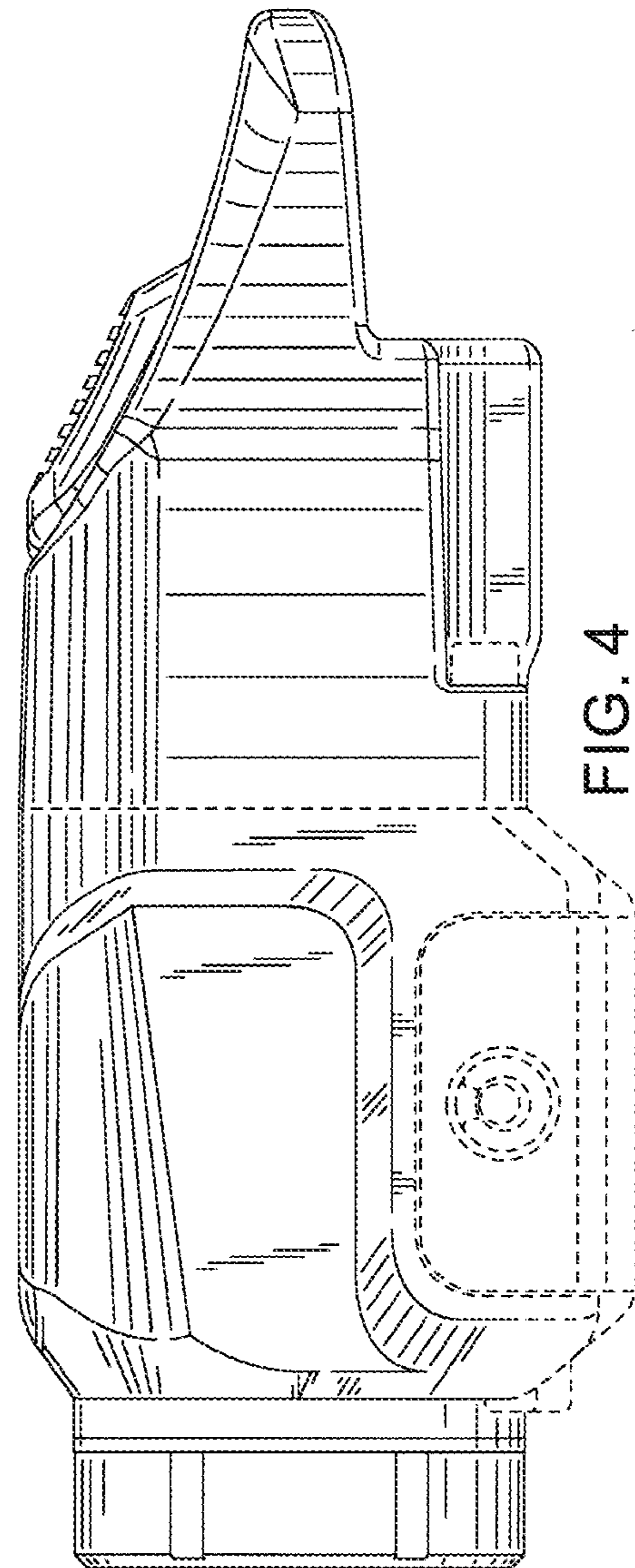


FIG. 4

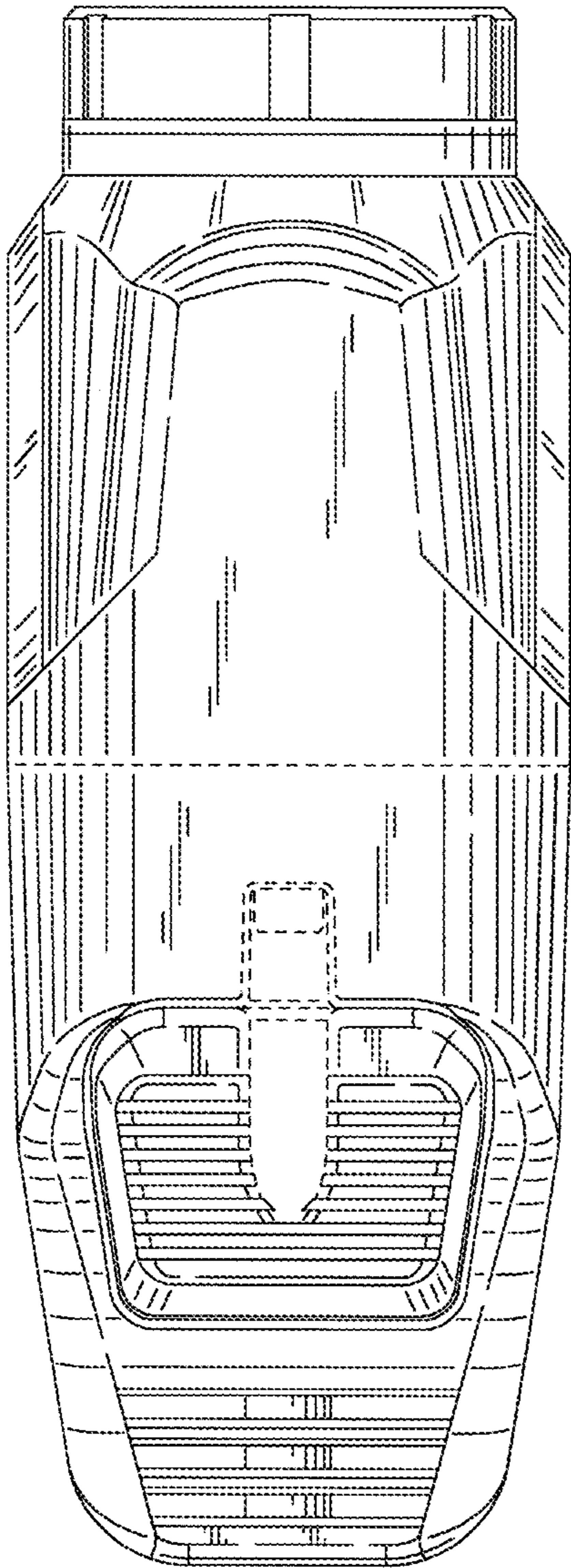


FIG. 5

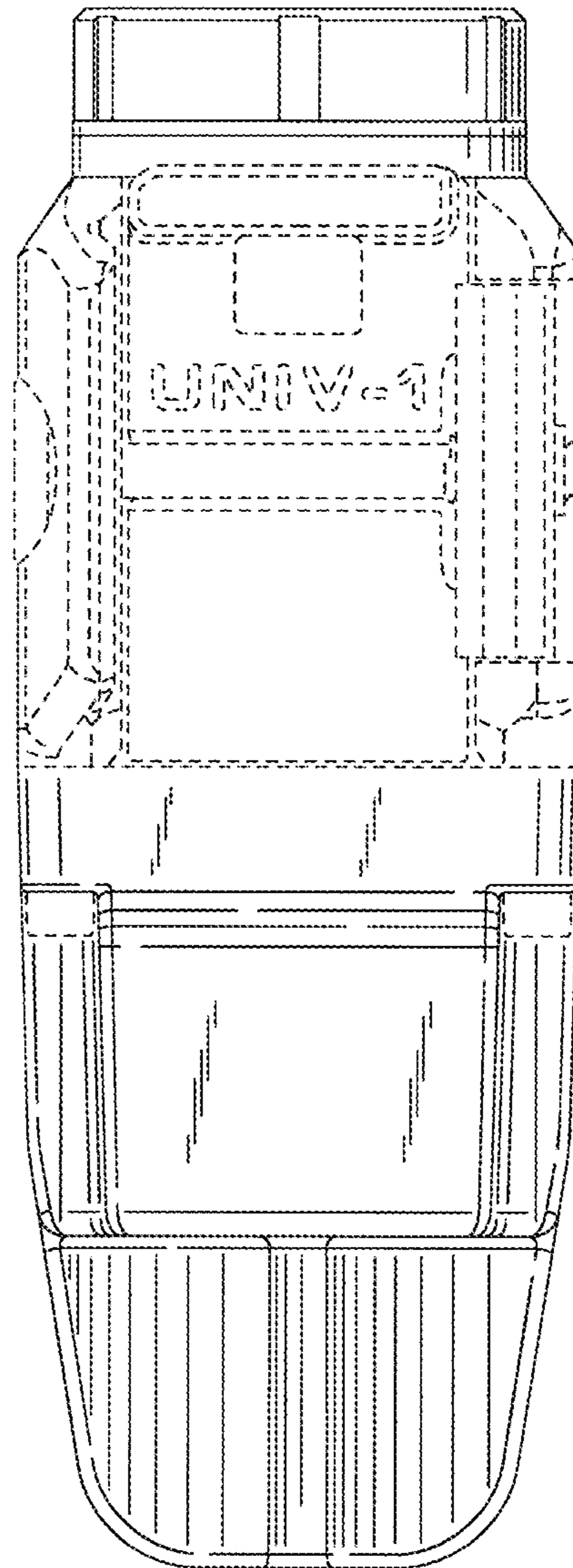


FIG. 6

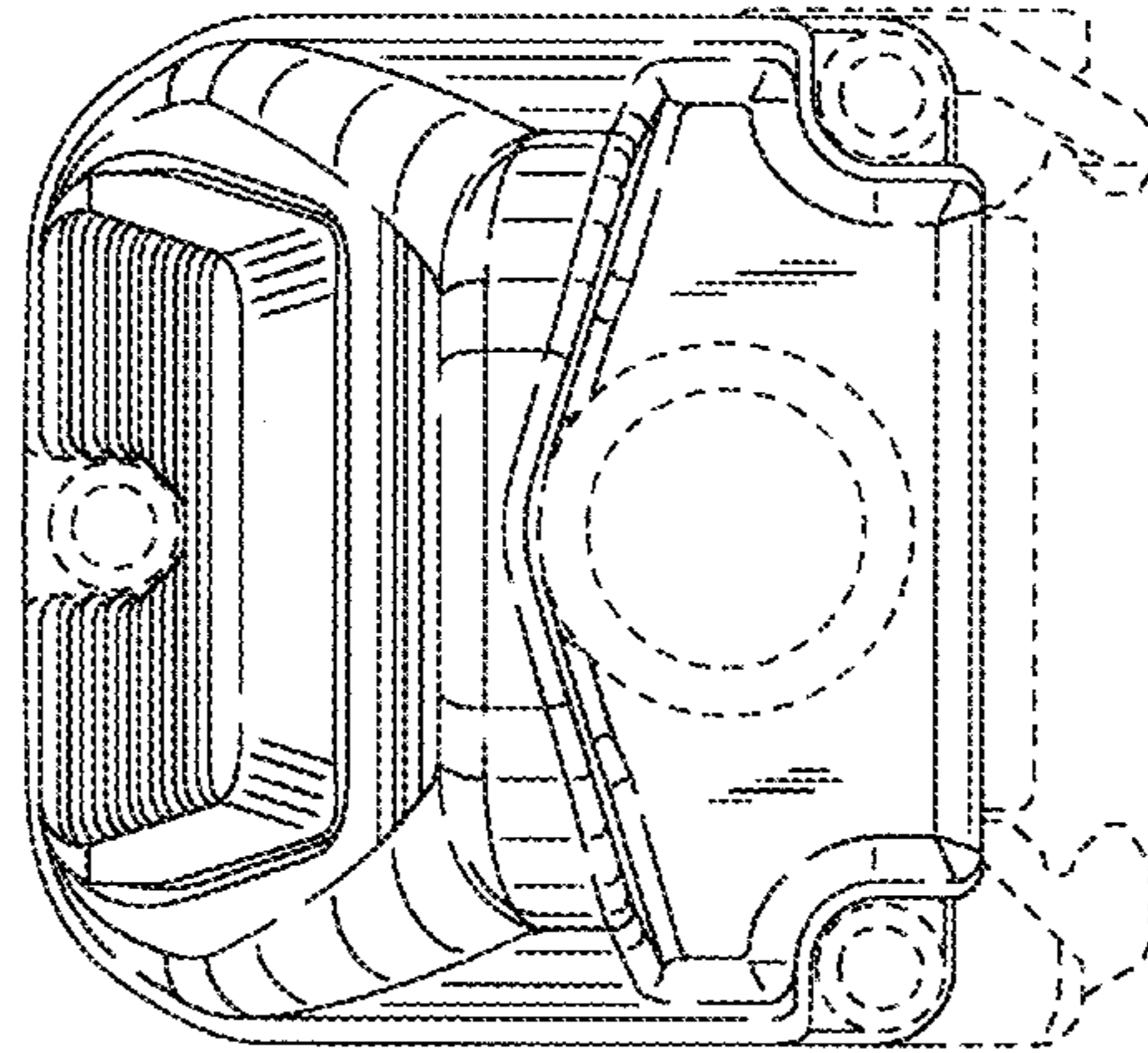


FIG. 8

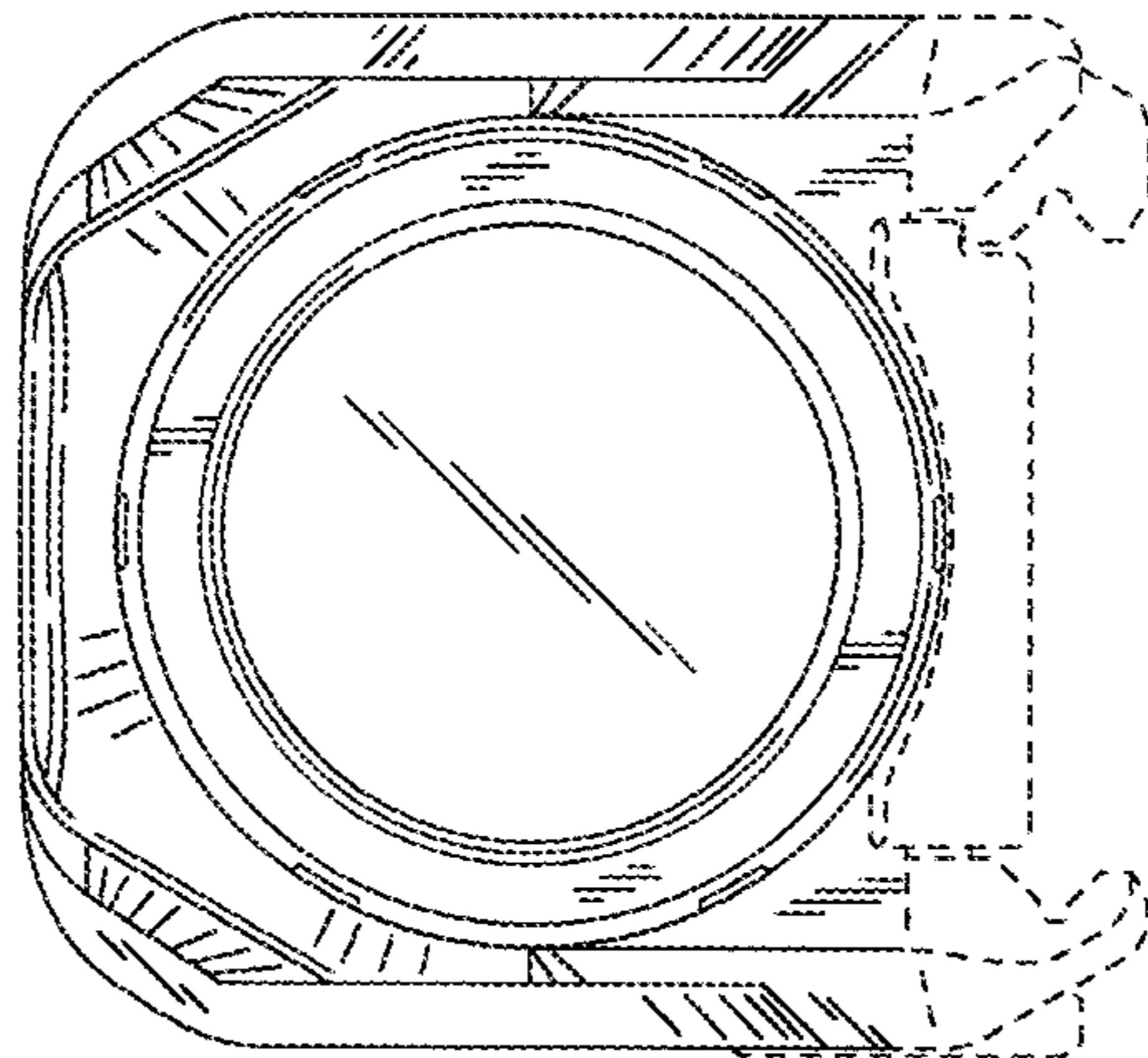


FIG. 7