



US00D913552S

(12) **United States Design Patent**
Holmes

(10) **Patent No.:** **US D913,552 S**

(45) **Date of Patent:** **** Mar. 16, 2021**

(54) **CROSS SHAPED FLASHLIGHT DEVICE**

(71) Applicant: **Darryl Todd Holmes**, Statesville, NC (US)

(72) Inventor: **Darryl Todd Holmes**, Statesville, NC (US)

(73) Assignee: **Darryl T. Holmes**, Statesville, NC (US)

(**) Term: **15 Years**

(21) Appl. No.: **29/681,892**

(22) Filed: **Feb. 28, 2019**

(51) **LOC (13) Cl.** **26-02**

(52) **U.S. Cl.**
USPC **D26/46**

(58) **Field of Classification Search**
USPC D26/46, 37, 59; D11/40, 48, 75, 79, 81, D11/95-96, 99, 122, 132-133, 157, 184; D1/106; D25/1, 35, 100, 102
CPC F21L 2003/00; F21L 4/00; F21L 4/005; F21L 4/02; F21L 4/022; F21L 4/025; F21L 4/027; F21L 4/04; F21L 4/045; F21L 4/08; F21L 4/085; F21L 14/02
See application file for complete search history.

(56) **References Cited**

U.S. PATENT DOCUMENTS

- 1,524,835 A * 2/1925 Walker A47G 33/02
362/121
- 4,453,201 A * 6/1984 Prouty F21V 33/0028
362/121
- 5,564,816 A * 10/1996 Arcadia F21S 9/037
362/183
- D417,834 S * 12/1999 Rompel D8/348
- D440,734 S * 4/2001 Berry D99/23
- 6,213,623 B1 * 4/2001 Campman F21L 2/00
362/202
- D518,939 S * 4/2006 Borgerding D99/25

- 7,117,570 B1 * 10/2006 Borgerding A61G 17/08
27/1
- D578,275 S * 10/2008 Shantz D99/17
- D617,207 S * 6/2010 Florenca D9/680
- D617,768 S * 6/2010 Taghva D14/203.2
- D618,135 S * 6/2010 Horst D11/157

(Continued)

OTHER PUBLICATIONS

glowsource.com: Green Glow Cross Necklaces. Undated online product page. Retrieved on Aug. 31, 2020 from <https://glowsource.com/jewelry/green-glow-cross-necklaces-50-pack/> (Year: 2020).*

(Continued)

Primary Examiner — Barbara Fox

Assistant Examiner — Stacey L Hopkins

(57) **CLAIM**

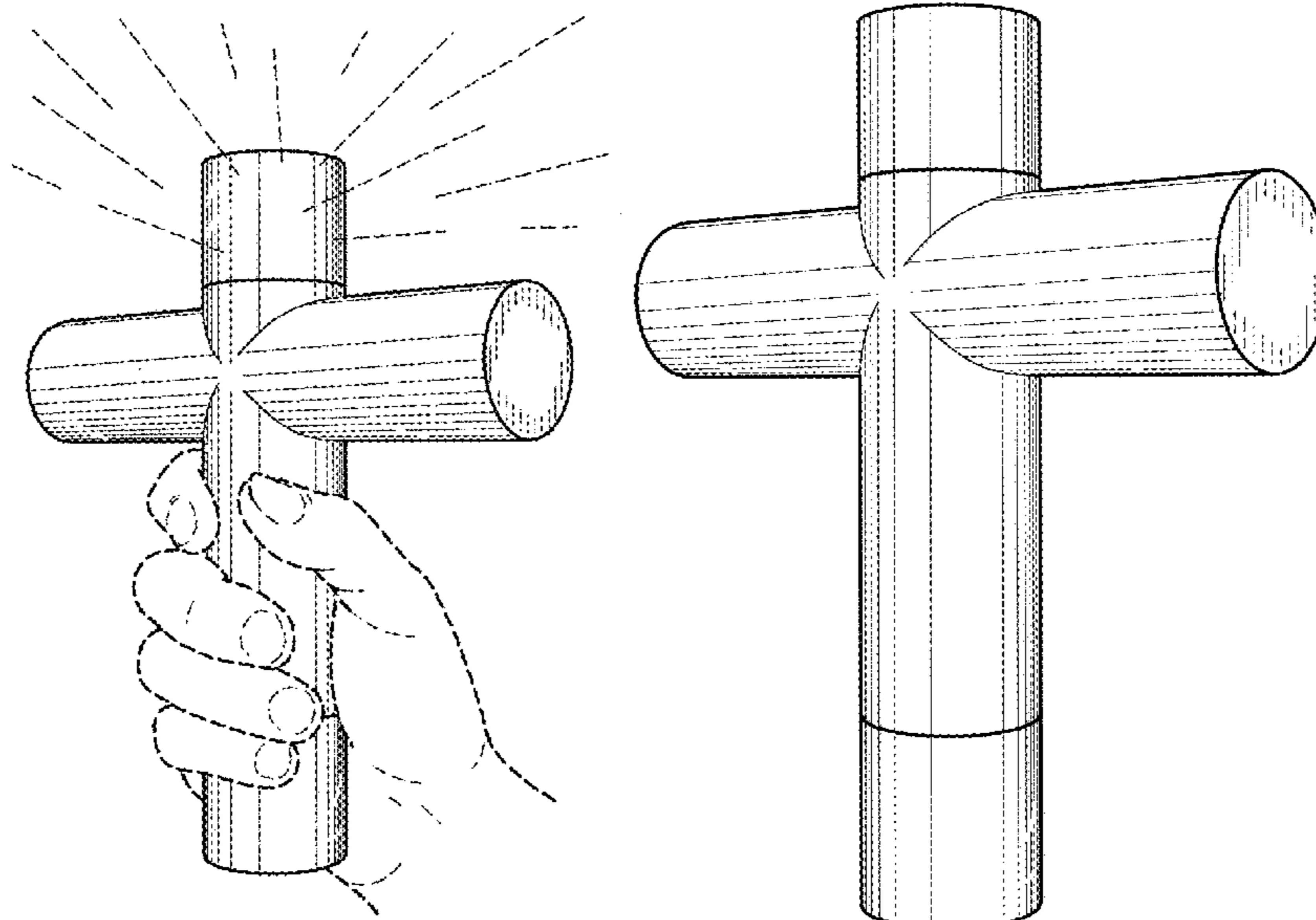
The ornamental design for a cross shaped flashlight device, as shown and described.

DESCRIPTION

FIG. 1 is a front perspective view of the cross shaped flashlight device showing my new design;
FIG. 2 is another front perspective view of the cross shaped flashlight device;
FIG. 3 is a front view of the cross shaped flashlight device;
FIG. 4 is a right-side view of the cross shaped flashlight device;
FIG. 5 is a left-side view of the cross shaped flashlight device;
FIG. 6 is a top side view of the cross shaped flashlight device; and,
FIG. 7 is a bottom side view of the cross shaped flashlight device.

The broken lines depict environmental subject matter that forms no part of the cross-shaped flashlight device.

1 Claim, 5 Drawing Sheets



(56)

References Cited

U.S. PATENT DOCUMENTS

D658,714 S * 5/2012 Kroll D19/24
 D658,908 S * 5/2012 Kroll D6/674
 D659,430 S * 5/2012 Kroll D6/674
 D659,431 S * 5/2012 Kroll D6/674
 D659,432 S * 5/2012 Kroll D6/674
 D671,770 S * 12/2012 Kroll D6/674
 D688,591 S * 8/2013 Merrell D11/149
 D699,285 S * 2/2014 Kroll D19/24
 D710,706 S * 8/2014 Tussy D9/600
 D712,305 S * 9/2014 Howard D11/125
 D745,793 S * 12/2015 Kroll D6/674
 D746,086 S * 12/2015 Kroll D6/674
 D752,367 S * 3/2016 Kroll D6/674
 D756,590 S * 5/2016 Bialecki D99/27
 D768,414 S * 10/2016 Kroll D6/674
 D768,416 S * 10/2016 Kroll D6/674
 D775,869 S * 1/2017 Kroll D6/674
 D776,464 S * 1/2017 Kroll D6/674
 D784,737 S * 4/2017 Kroll D6/674
 D802,338 S * 11/2017 Kroll D6/674

D809,323 S * 2/2018 Kroll D6/674
 D810,388 S * 2/2018 Podgurny D99/27
 D840,854 S * 2/2019 Shi D10/114.1
 2009/0151392 A1* 6/2009 Fossas A44C 25/002
 63/1.14

OTHER PUBLICATIONS

amazon.co.uk: Glow Earrings Yellow. Undated online product page. Retrieved on Aug. 31, 2020 from <<https://www.amazon.co.uk/Electrovision-Glow-Earrings-Yellow/dp/B000LBTMX4/ref>> (Year: 2020).*

amazon.co.uk: Bo&Pao Cross Necklace 925 Sterling Silver, 18" Adjustable Chain with Cross Pendant. Undated online product page. Retrieved on Aug. 31, 2020 from <<https://www.amazon.co.uk/dp/B07Y8HBBWB/ref>> (Year: 2020).*

www.exportersindia.com: Bright Glow Cross Necklace. Undated online product page. Retrieved on Aug. 31, 2020 from <<https://www.exportersindia.com/guangzhou-yicai-glow-sticks-co/bright-glow-cross-necklace-guangzhou-china-804062.htm>> (Year: 2020).*

* cited by examiner

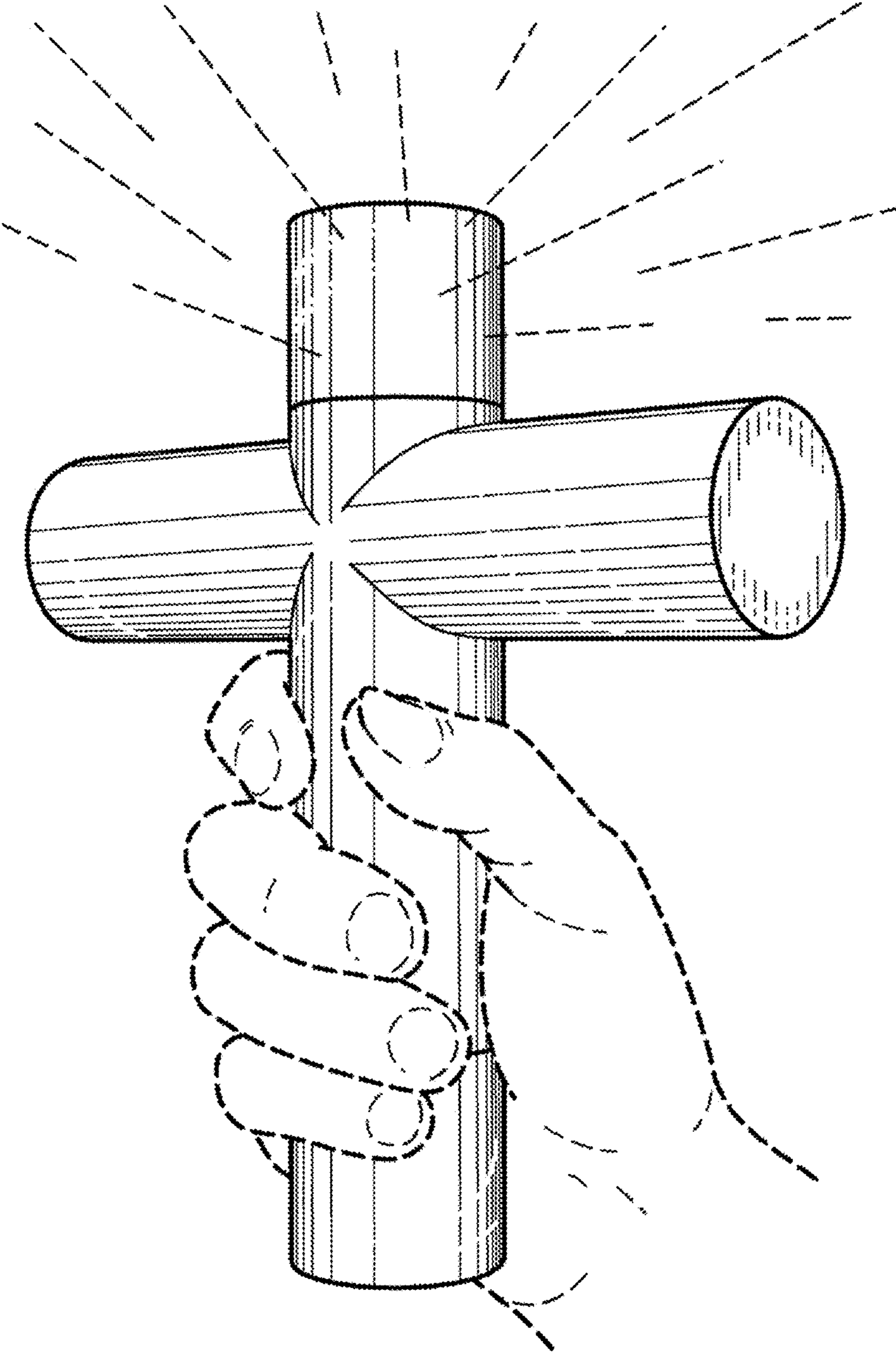


FIG. 1

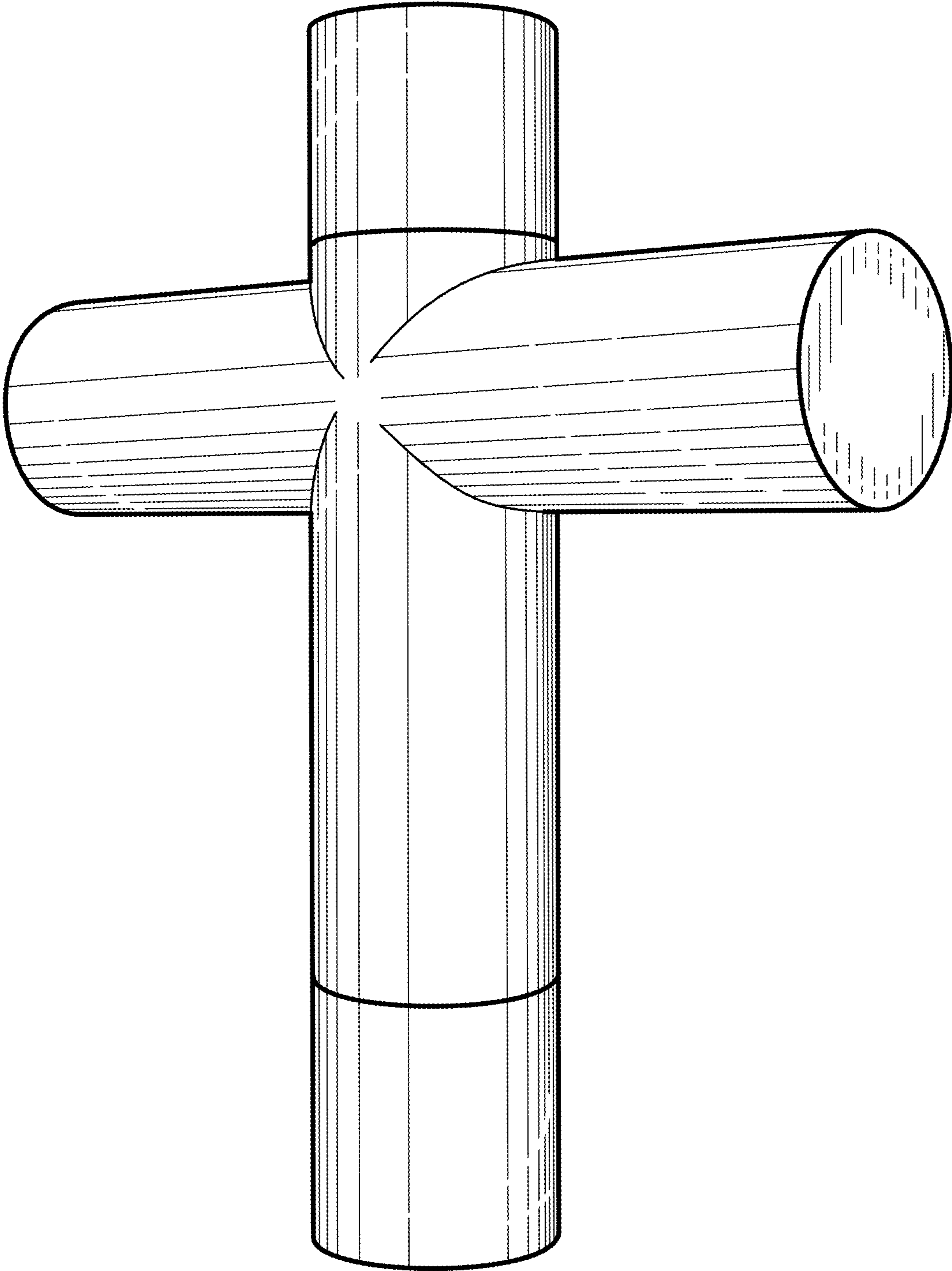


FIG. 2

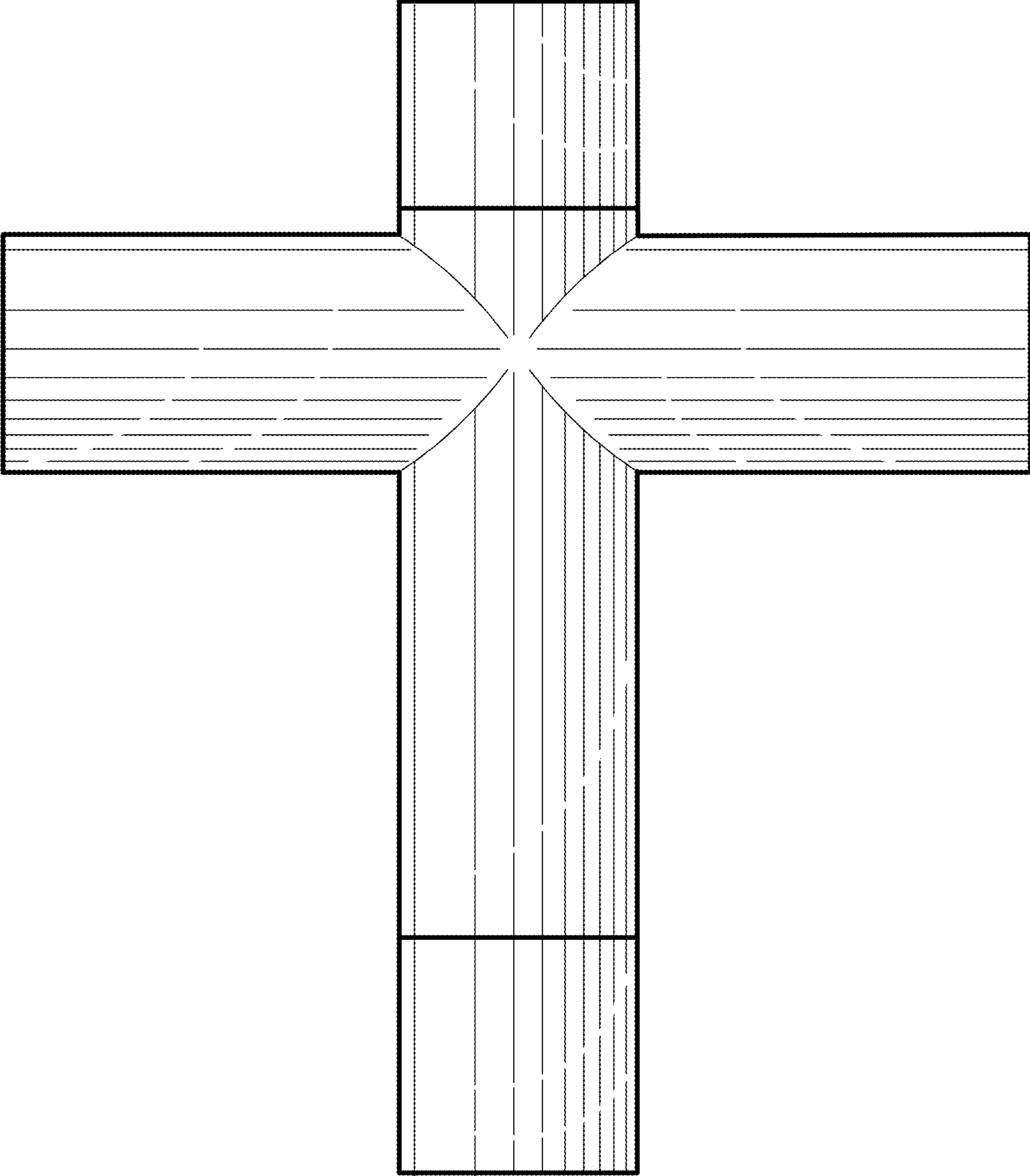


FIG. 3

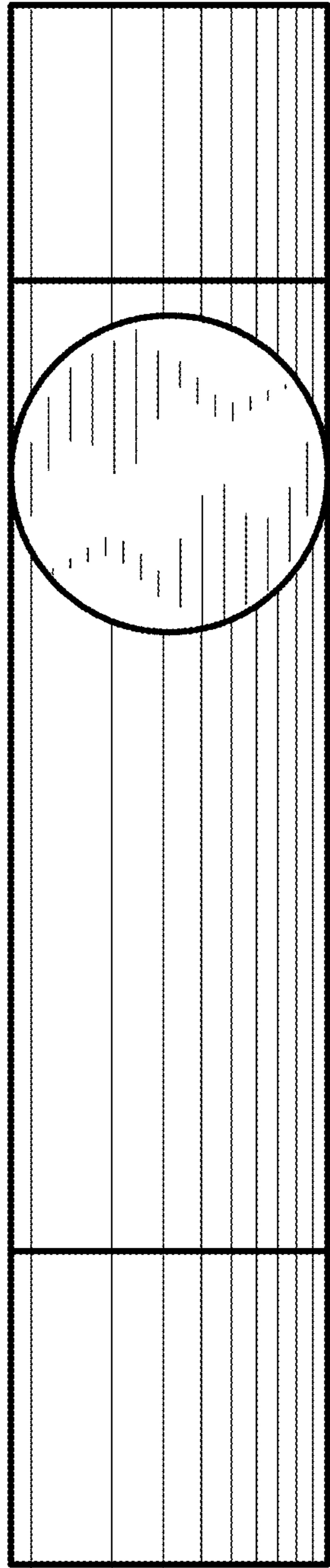


FIG. 4

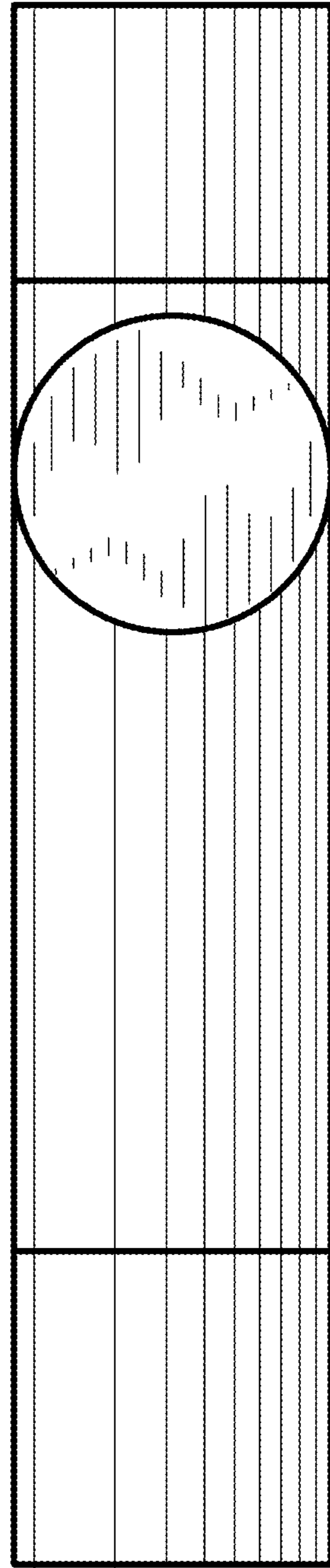


FIG. 5

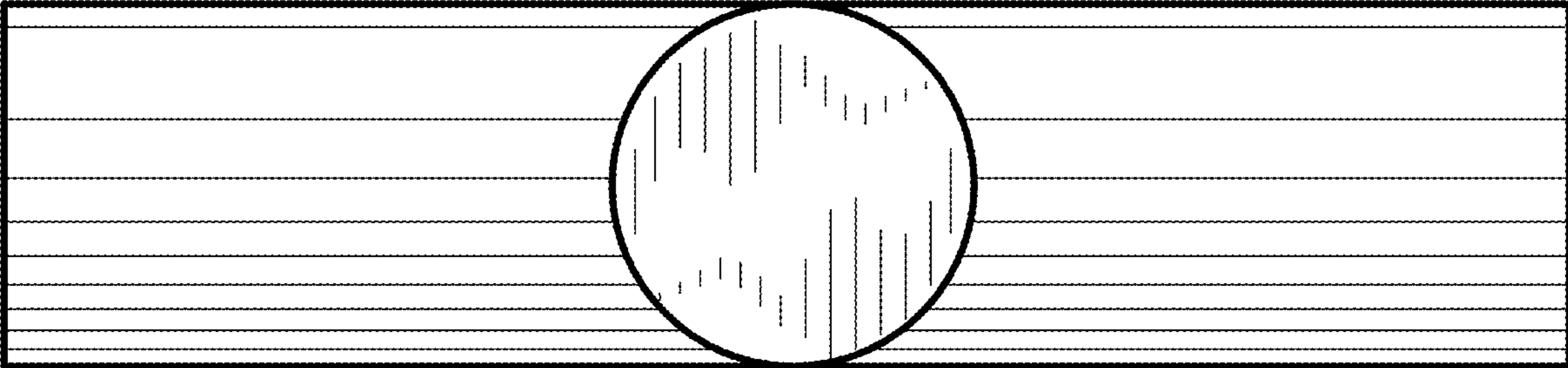


FIG. 6

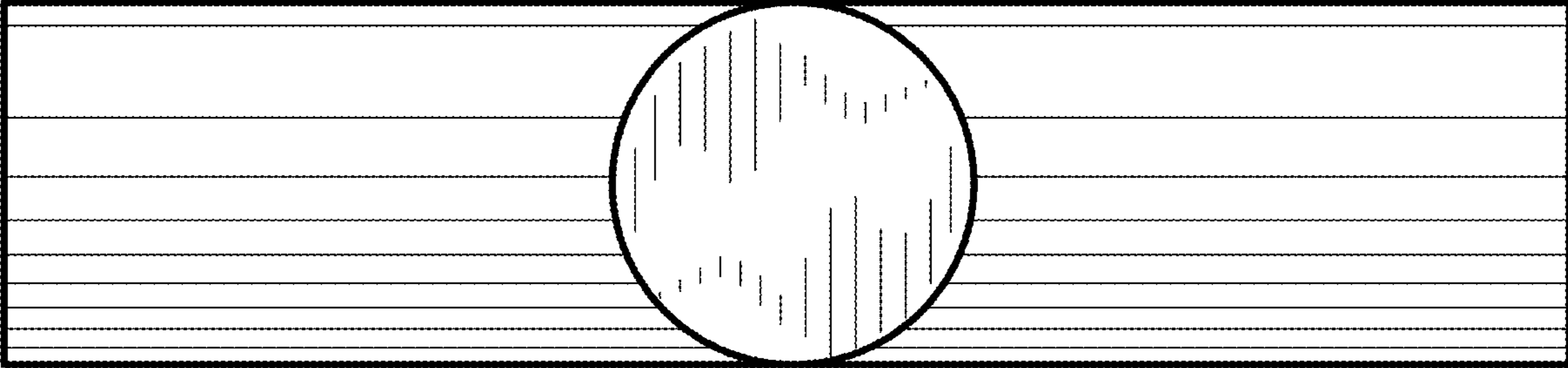


FIG. 7