



US00D913551S

(12) **United States Design Patent** (10) **Patent No.:** **US D913,551 S**
Sin et al. (45) **Date of Patent:** **** Mar. 16, 2021**

(54) **HEAD LAMP FOR VEHICLES**

(56) **References Cited**

(71) Applicants: **KIA MOTORS CORPORATION**,
Seoul (KR); **HYUNDAI MOTOR**
COMPANY, Seoul (KR)
(72) Inventors: **Kyung-Ryoun Sin**, Hwaseong-si (KR);
Deuk-Heon Kang, Hwaseong-si (KR)
(73) Assignees: **Hyundai Motor Company**, Seoul
(KR); **Kia Motors Corporation**, Seoul
(KR)
(**) Term: **15 Years**

U.S. PATENT DOCUMENTS

D740,976 S * 10/2015 Ko D26/28
D757,967 S * 5/2016 Kim D26/28
D788,956 S * 6/2017 Hong D26/28
D812,273 S * 3/2018 Wu D26/28
D812,275 S * 3/2018 Wu D26/28
D815,323 S * 4/2018 Amemiya D26/28

(Continued)

Primary Examiner — Natasha Vujcic

(74) *Attorney, Agent, or Firm* — Mintz Levin Cohn Ferris
Glovsky and Popeo, P.C.; Peter F. Corless

(21) Appl. No.: **35/507,728**

(57) **CLAIM**

(22) Filed: **Jun. 14, 2019**

The ornamental design for a head lamp for vehicles, as
shown and described.

(80) **Hague Agreement Data**

DESCRIPTION

Int. Filing Date: **Jun. 14, 2019**
Int. Reg. No.: **DM/203902**
Int. Reg. Date: **Jun. 14, 2019**
Int. Reg. Pub. Date: **Nov. 15, 2019**

The patent or application file contains at least one drawing
executed in color. Copies of this patent or patent application
publication with color drawing(s) will be provided by the
Office upon request and payment of the necessary fee.

(30) **Foreign Application Priority Data**

Dec. 17, 2018 (KR) 30-2018-0059591

1. Head lamp for vehicles

- 1.1 : Perspective
- 1.2 : Front
- 1.3 : Back
- 1.4 : Left
- 1.5 : Right
- 1.6 : Top
- 1.7 : Bottom

(51) **LOC (13) Cl.** **26-06**

(52) **U.S. Cl.**
USPC **D26/28**

(58) **Field of Classification Search**

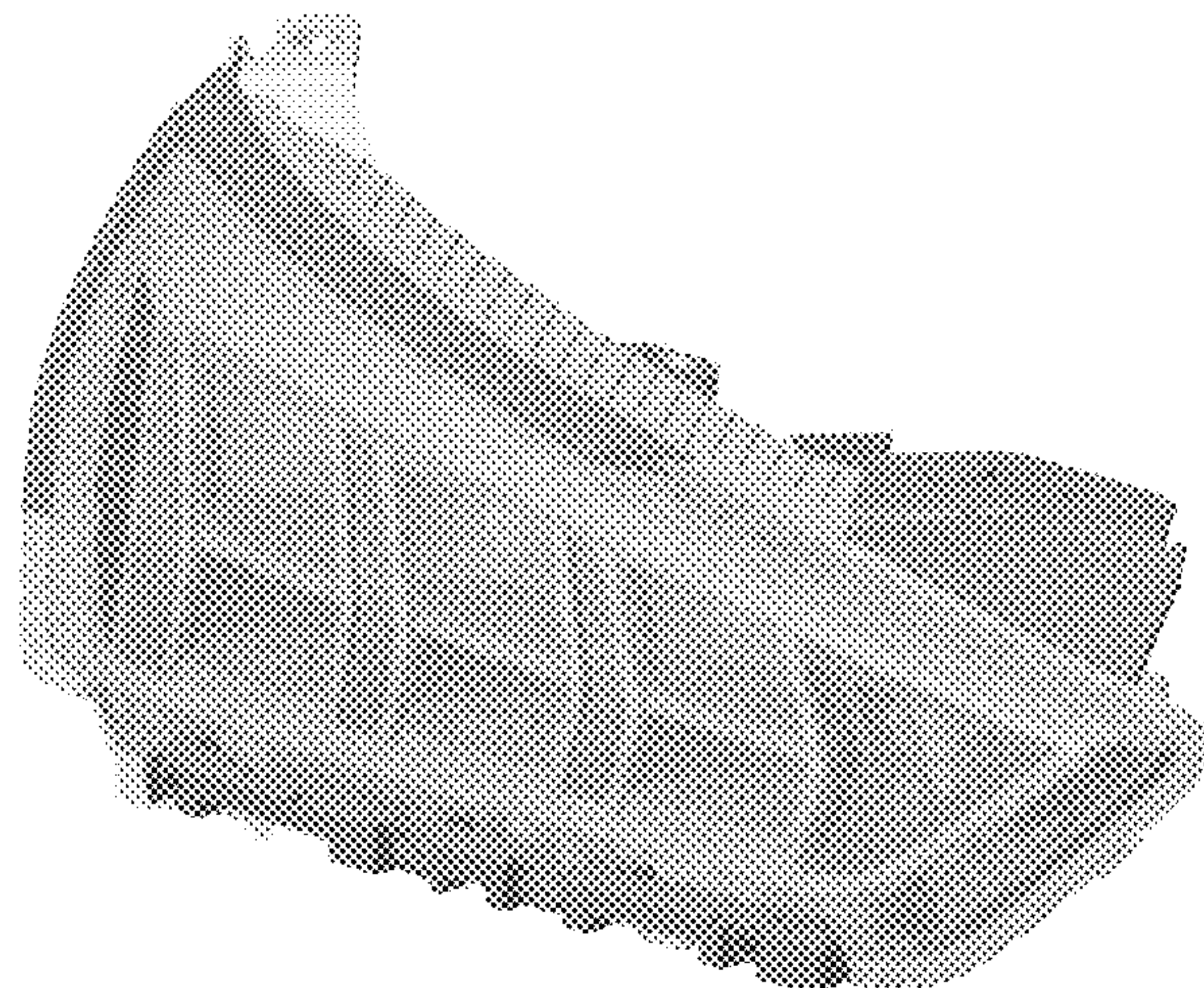
USPC D26/28
CPC F21S 48/00; F21S 48/10; F21S 48/115;
F21S 48/225; F21S 48/1233; F21S
48/1266; F21S 48/1388; F21S 48/2266;
F21V 21/04; B60Q 1/30; B60Q 1/2607;
B60Q 1/2696; B62J 6/00; B62J 6/04

The colored elements in the drawings illustrate portions of
the Head Lamp for Vehicles and form no part of the claimed
design.

Reproduction **1.1** is a perspective view of a head lamp for
vehicles showing our new design; reproduction **1.2** is a front
elevation view thereof; reproduction **1.3** is a rear elevation
view thereof; reproduction **1.4** is a left side elevation view
thereof; reproduction **1.5** is a right side elevation view

See application file for complete search history.

(Continued)



thereof; reproduction 1.6 is a top plan view thereof; and reproduction 1.7 is a bottom plan view thereof.

**1 Claim, 7 Drawing Sheets
(6 of 7 Drawing Sheet(s) Filed in Color)**

(56) **References Cited**

U.S. PATENT DOCUMENTS

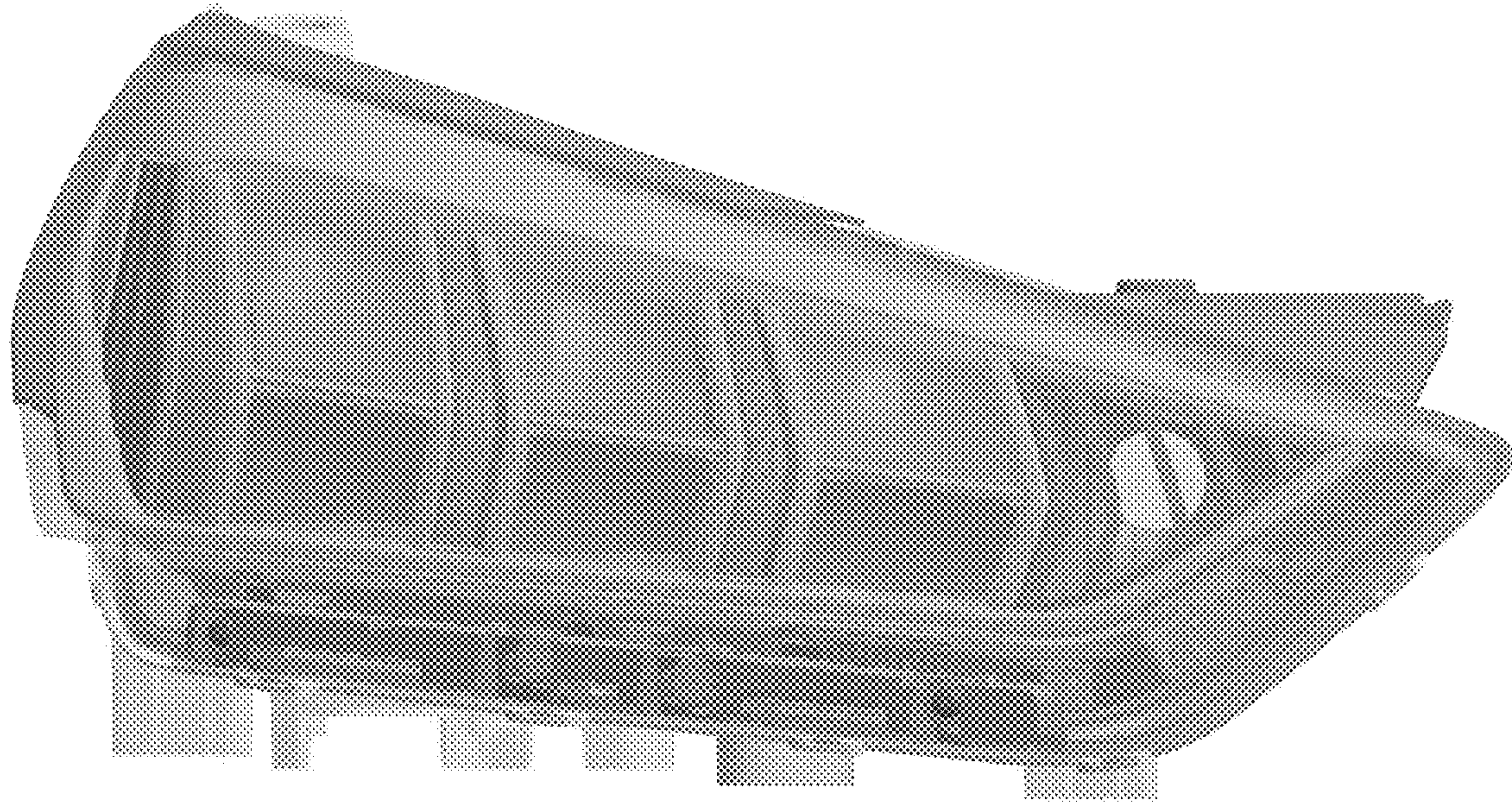
D819,850 S	*	6/2018	Munakata	D26/28
D829,947 S	*	10/2018	Jung	D26/28
D829,948 S	*	10/2018	Jung	D26/28
D863,624 S	*	10/2019	Kawaguchi	D26/28
D865,242 S	*	10/2019	Kim	D26/28
D869,701 S	*	12/2019	Wu	D26/28
D869,713 S	*	12/2019	Shim	D26/35
D870,328 S	*	12/2019	Wu	D26/28
D870,934 S	*	12/2019	Wu	D26/28
D887,600 S	*	6/2020	Yun	D26/35

* cited by examiner

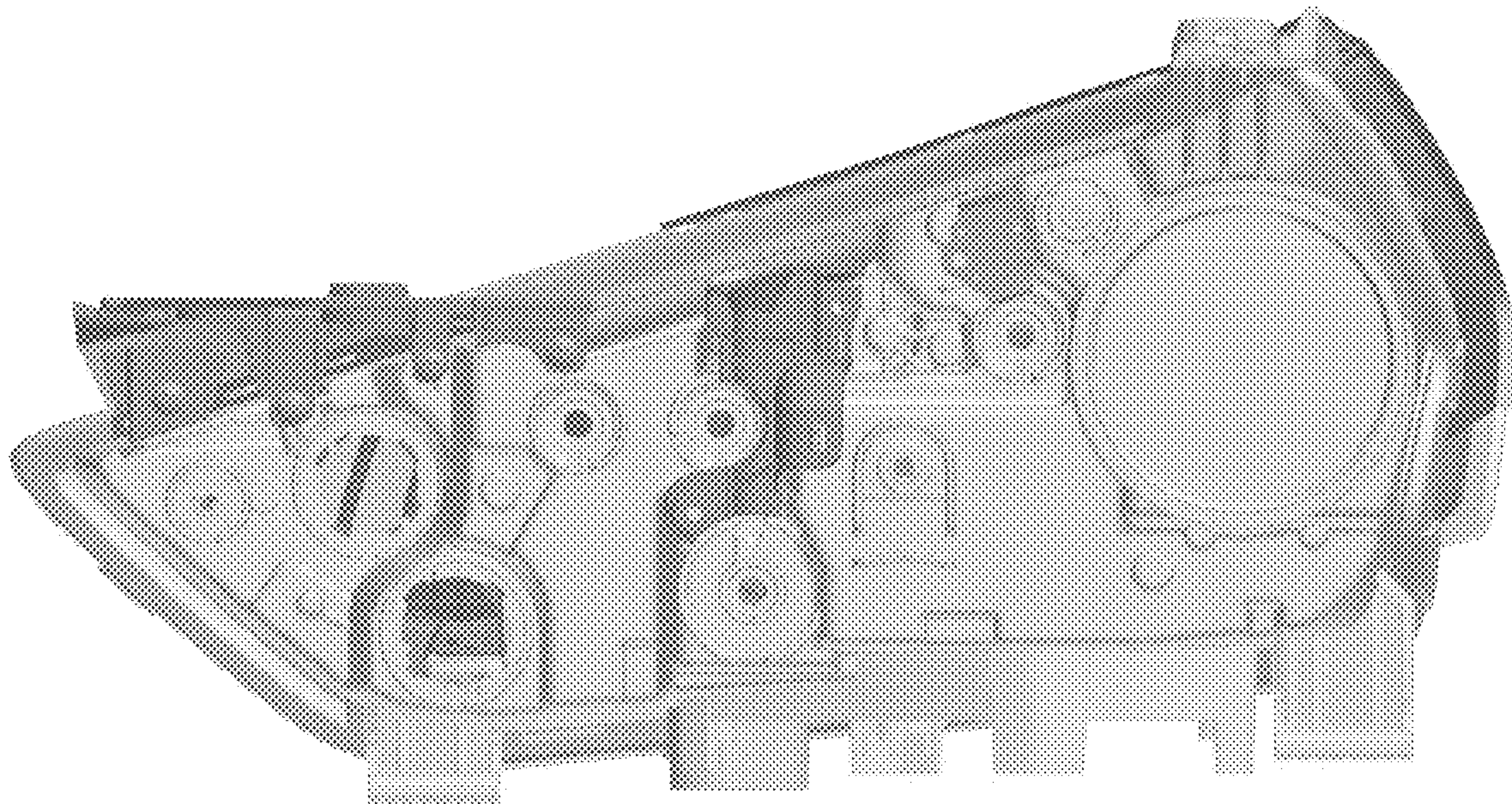
1.1



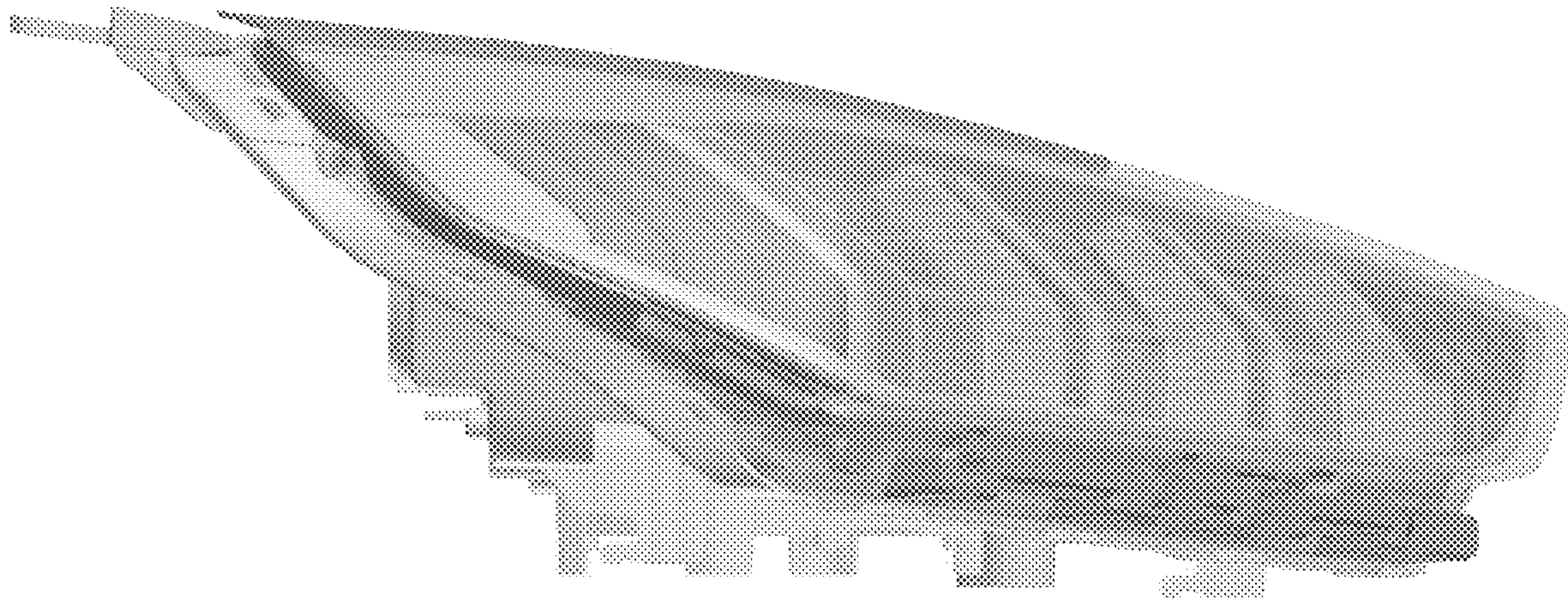
1.2



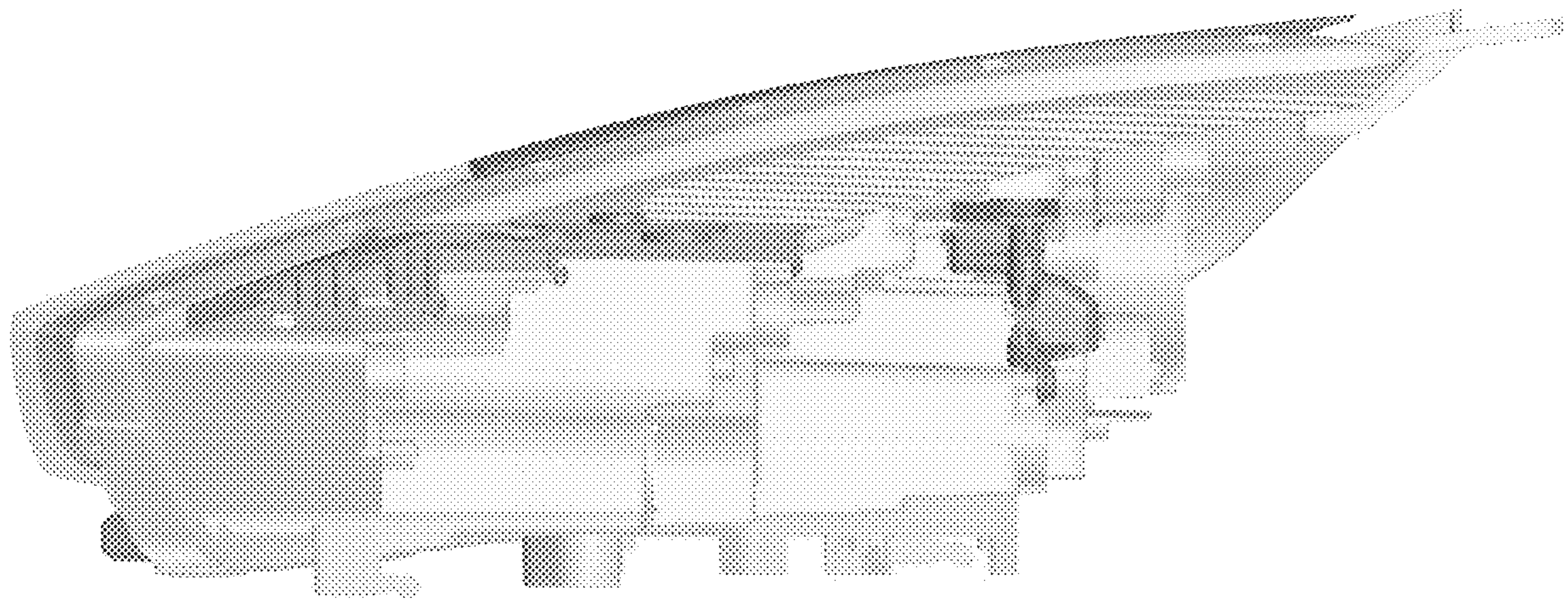
1.3



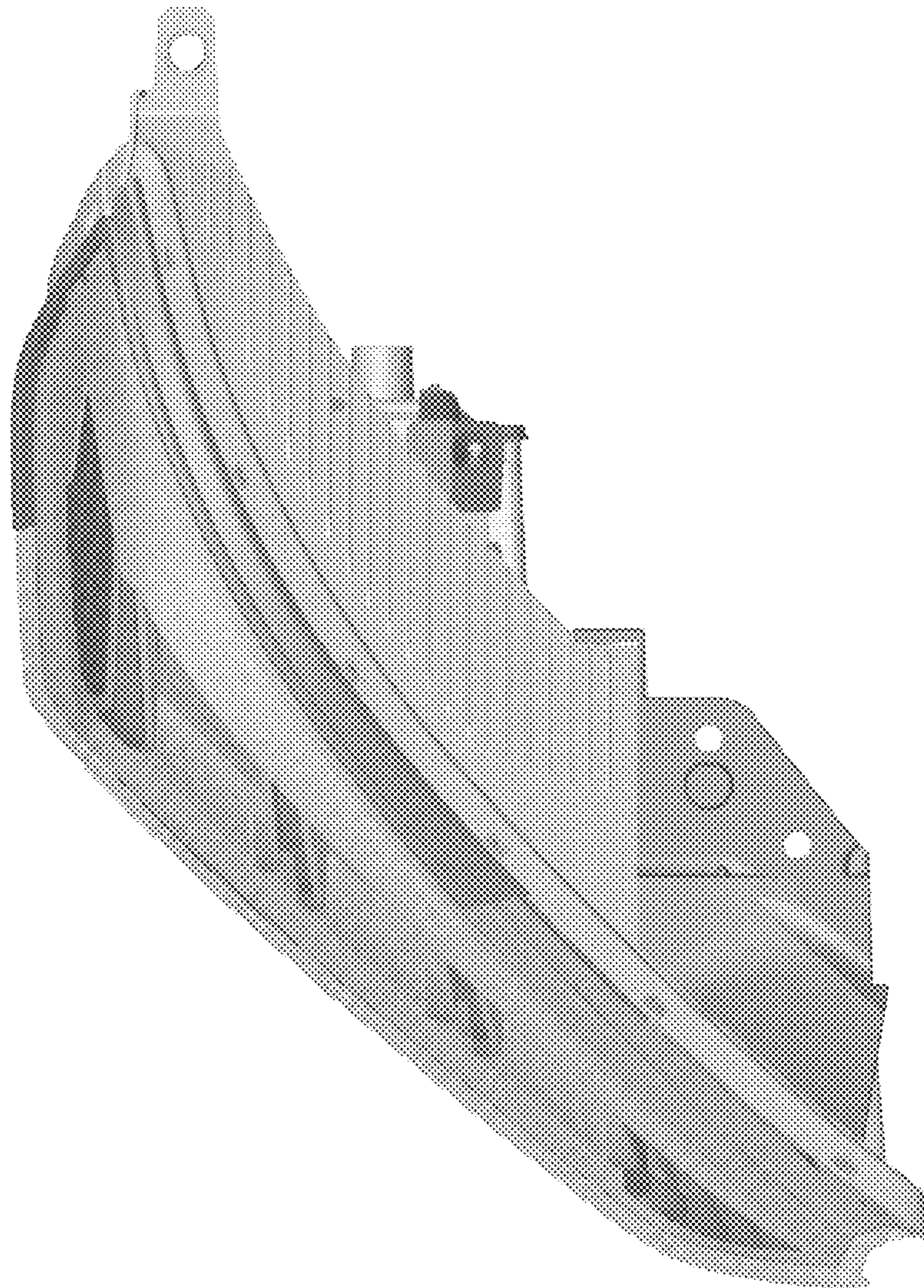
1.4



1.5



1.6



1.7

