



US00D913545S

(12) **United States Design Patent**
Bernardi

(10) **Patent No.:** **US D913,545 S**

(45) **Date of Patent:** **** Mar. 16, 2021**

(54) **SET OF DAYTIME RUNNING LIGHTS**

D690,852 S * 10/2013 Cooney D26/28
D703,848 S * 4/2014 Mays D26/28
D737,483 S * 8/2015 Roberts D26/28

(71) Applicant: **Jaguar Land Rover Limited**, Coventry
(GB)

* cited by examiner

(72) Inventor: **Florentin Bernardi**, Coventry (GB)

Primary Examiner — Marcus A Jackson

(73) Assignee: **Jaguar Land Rover Limited**, Coventry
(GB)

(74) *Attorney, Agent, or Firm* — Wood Herron & Evans
LLP

(**) Term: **15 Years**

(57) **CLAIM**

(21) Appl. No.: **29/682,582**

The ornamental design for a set of daytime running lights,
as shown and described.

(22) Filed: **Mar. 6, 2019**

Related U.S. Application Data

DESCRIPTION

(62) Division of application No. 29/600,826, filed on Apr.
17, 2017, now Pat. No. Des. 847,388.

(30) **Foreign Application Priority Data**

Oct. 17, 2016 (EM) 003422179-0001
Oct. 17, 2016 (EM) 003422179-0002
Oct. 17, 2016 (EM) 003422179-0003

FIG. 1 is a front left perspective view of a set of daytime
running lights (DLR) for a vehicle according to the present
invention.

FIG. 2 is a front right perspective view of the set of daytime
running lights shown in FIG. 1.

FIG. 3 is a rear left perspective view thereof.

FIG. 4 is a front view thereof.

FIG. 5 is a left side view thereof.

FIG. 6 is a top view thereof; and,

FIG. 7 is a front view of the set of daytime running lights
shown in FIGS. 1-6, mounted on the front left end of a
vehicle, with the vehicle shown in de-emphasized and
half-tone portions so as to illustrate environmental structure.
These portions form no part of the claimed design. More
particularly, in FIG. 7, the inventive set of daytime running
lights is shown within the broken line, and the elements
shown outside the broken line form no part of the claimed
design, but are instead included to show environmental
aspects thereof. FIG. 7 also shows another set of daytime
running lights mounted on the front right end of the vehicle,
as a mirror image of the daytime running lights shown in
FIGS. 1-6, with respect to the longitudinal axis of the
vehicle.

(51) **LOC (13) Cl.** **26-06**

(52) **U.S. Cl.**
USPC **D26/28**

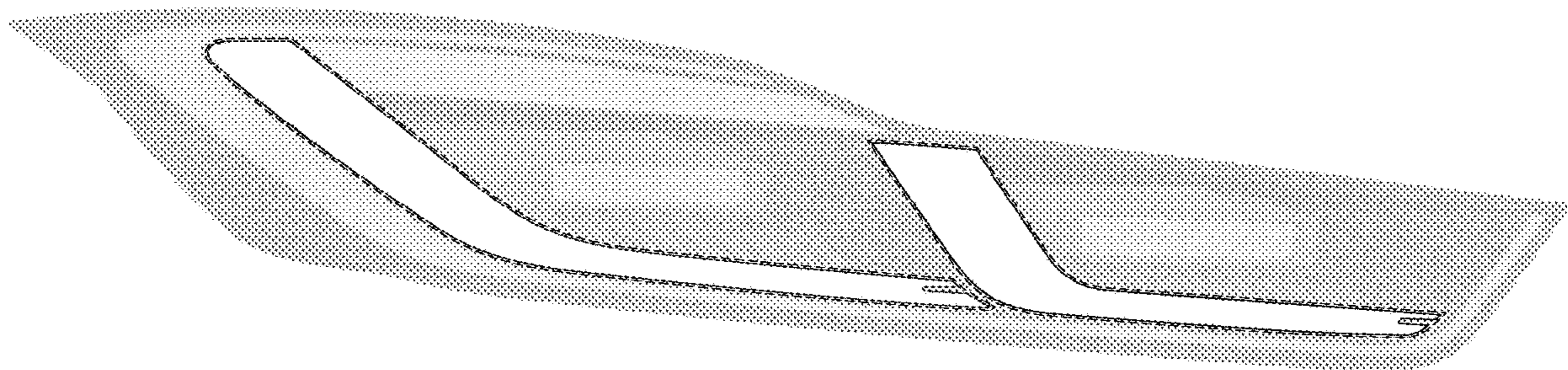
(58) **Field of Classification Search**
USPC D26/28-36, 139
CPC F21S 48/00; F21S 48/10; F21S 48/115;
F21S 48/225; F21S 48/1233; F21S
48/1266; F21S 48/1388; F21S 48/2268;
F21V 21/04; F21V 29/004; B60Q 9/13;
B60Q 9/135; B60Q 9/1375
See application file for complete search history.

(56) **References Cited**

U.S. PATENT DOCUMENTS

D538,956 S * 3/2007 Ishii D26/28
D544,614 S * 6/2007 Markefka D26/28

1 Claim, 7 Drawing Sheets



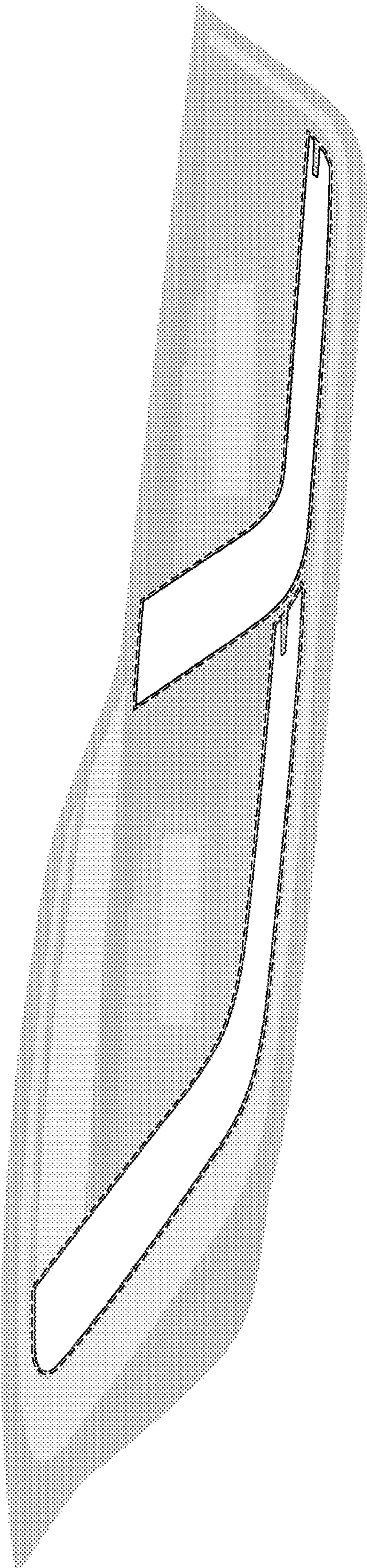


FIG. 1

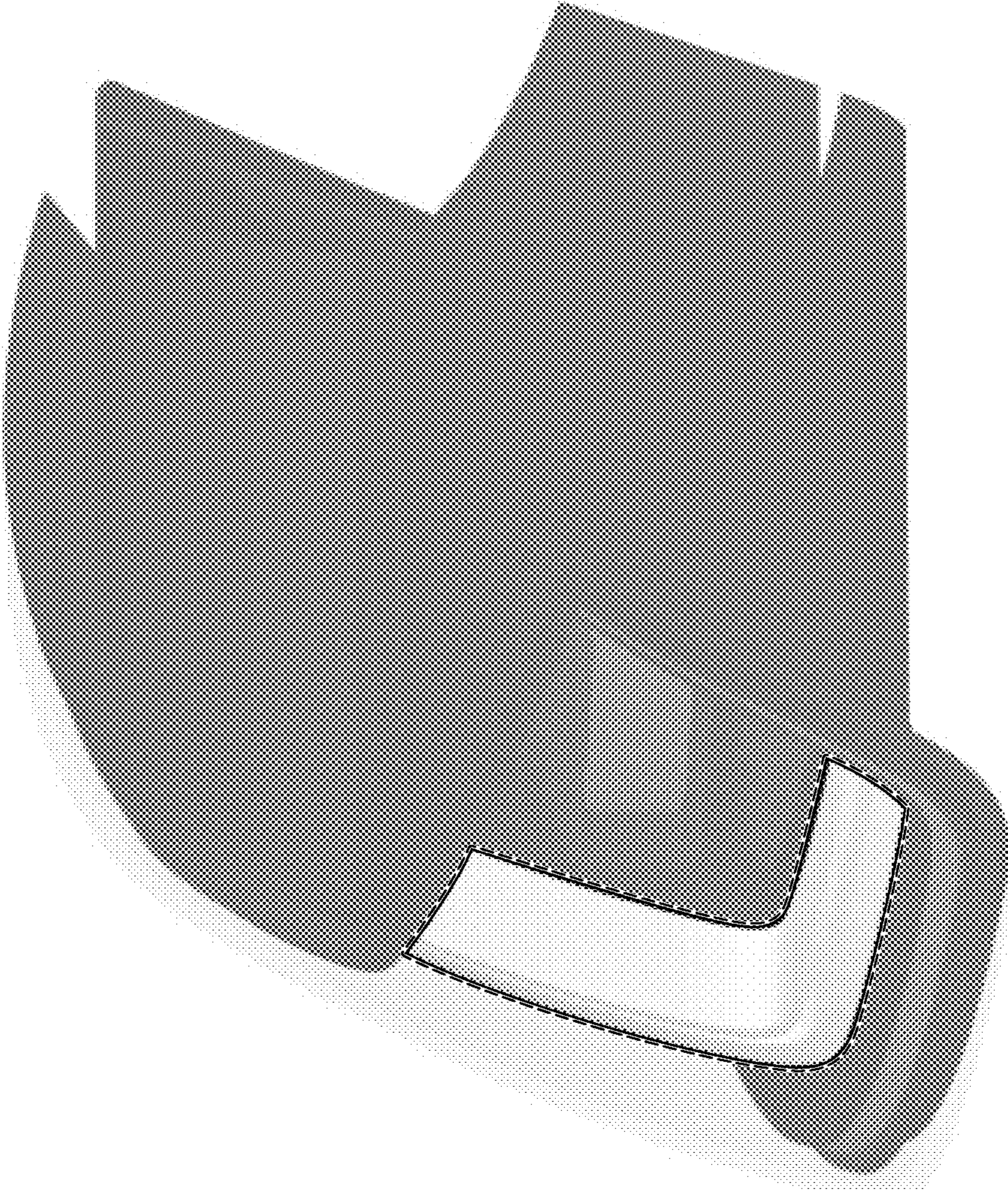


FIG. 2

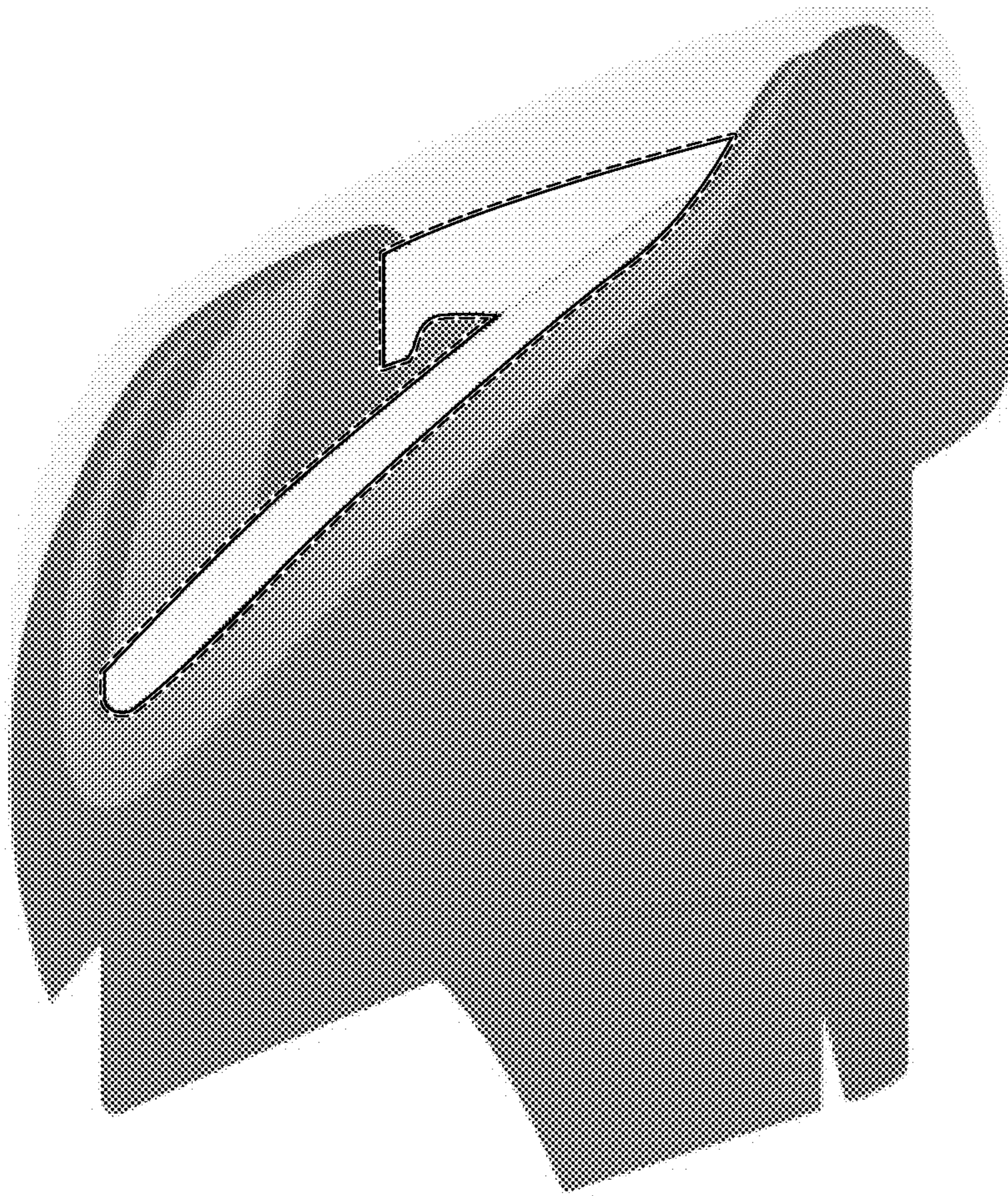


FIG. 3

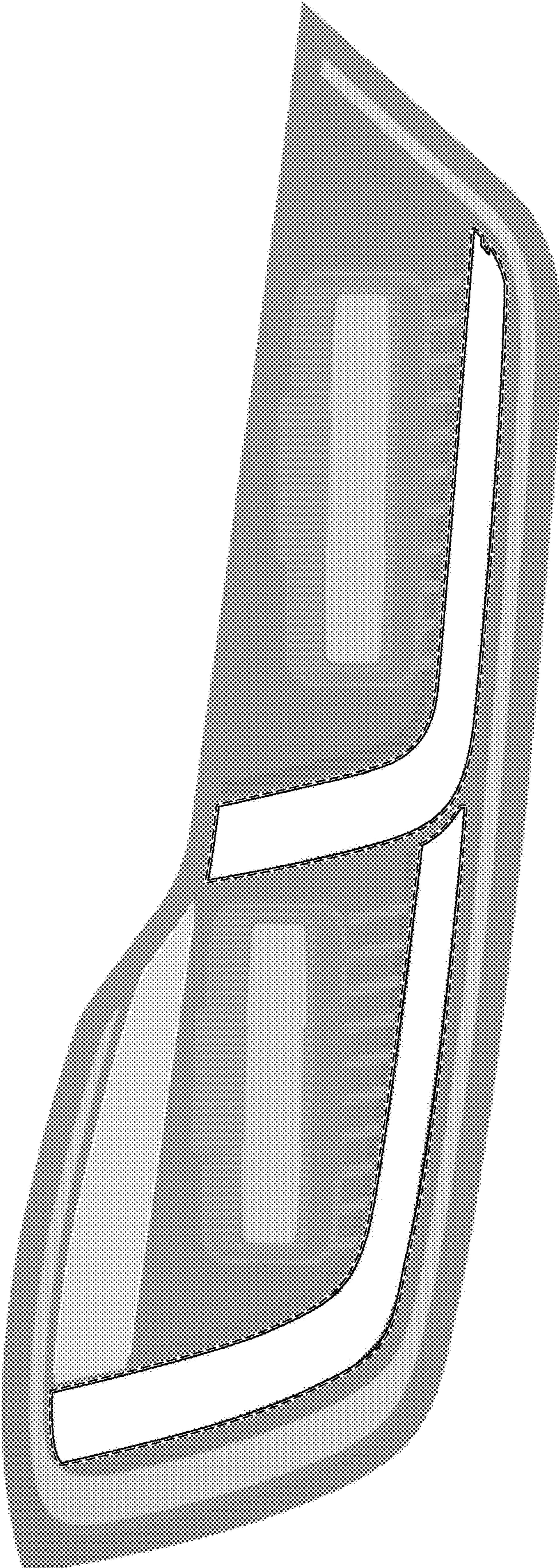


FIG. 4

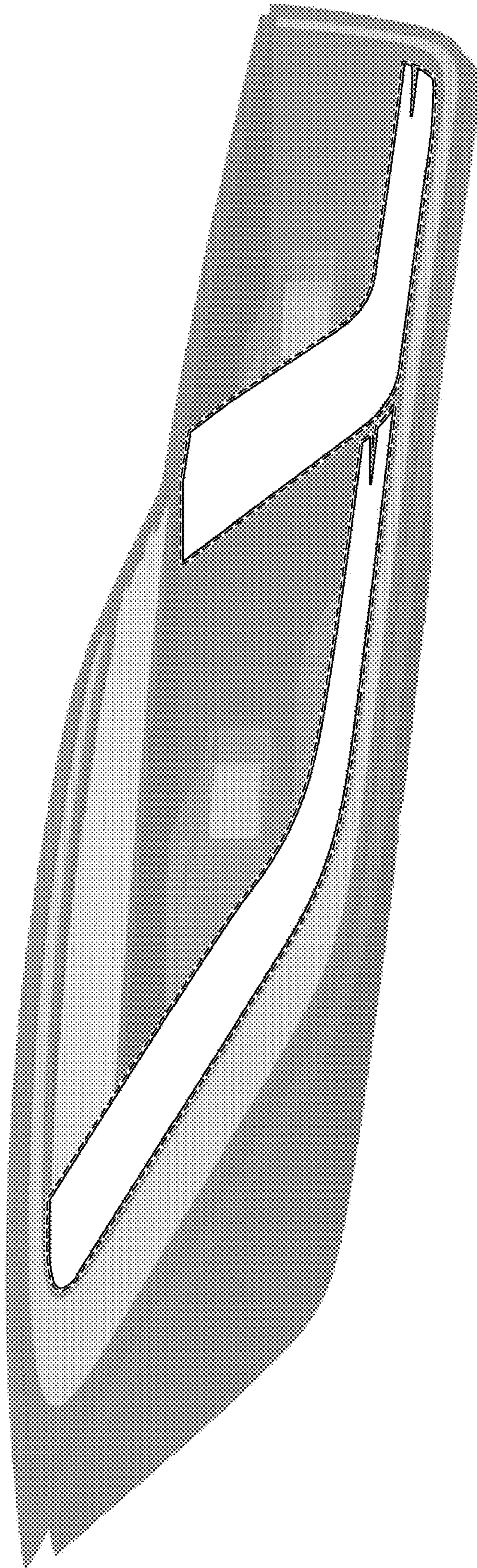


FIG. 5

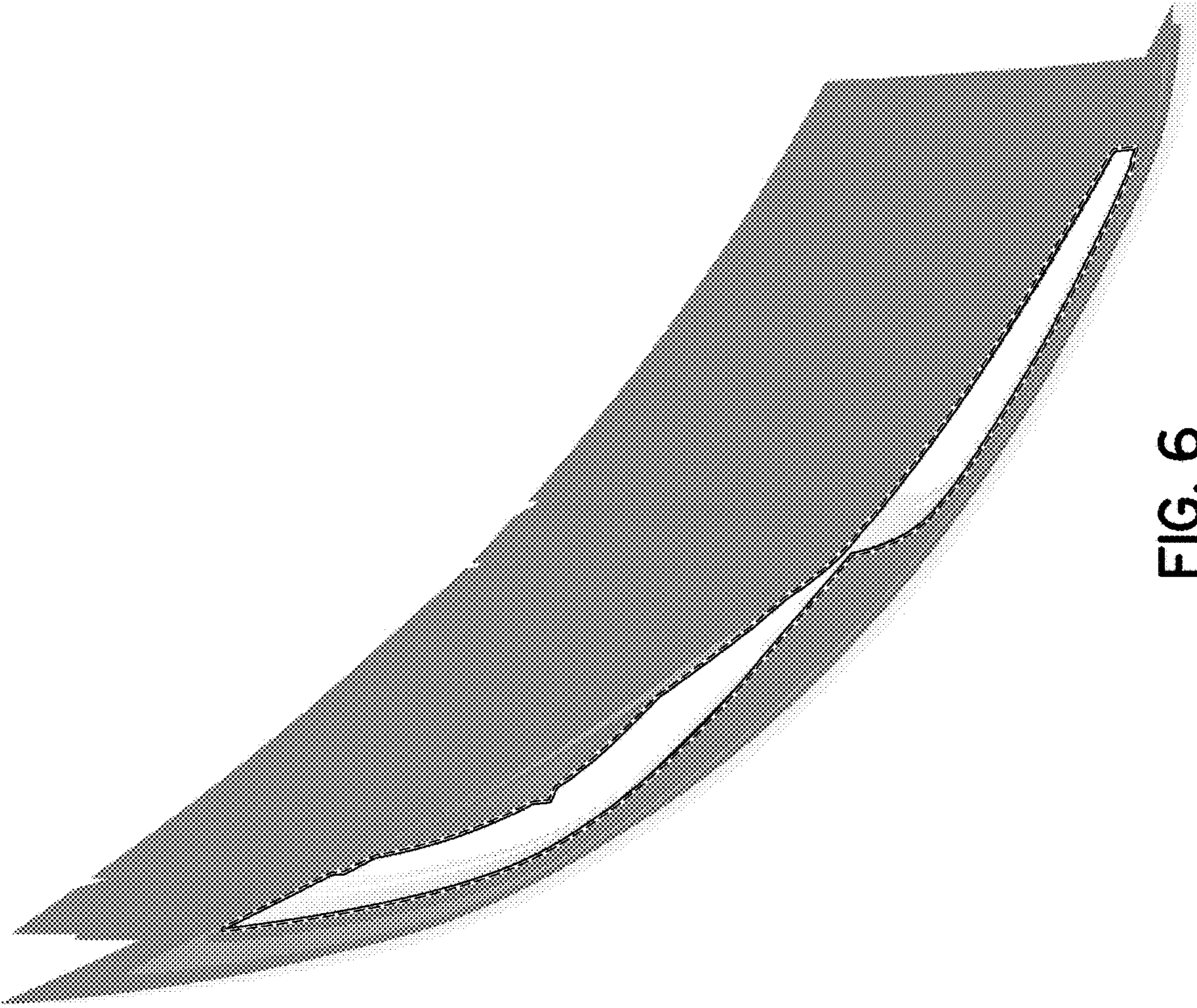


FIG. 6

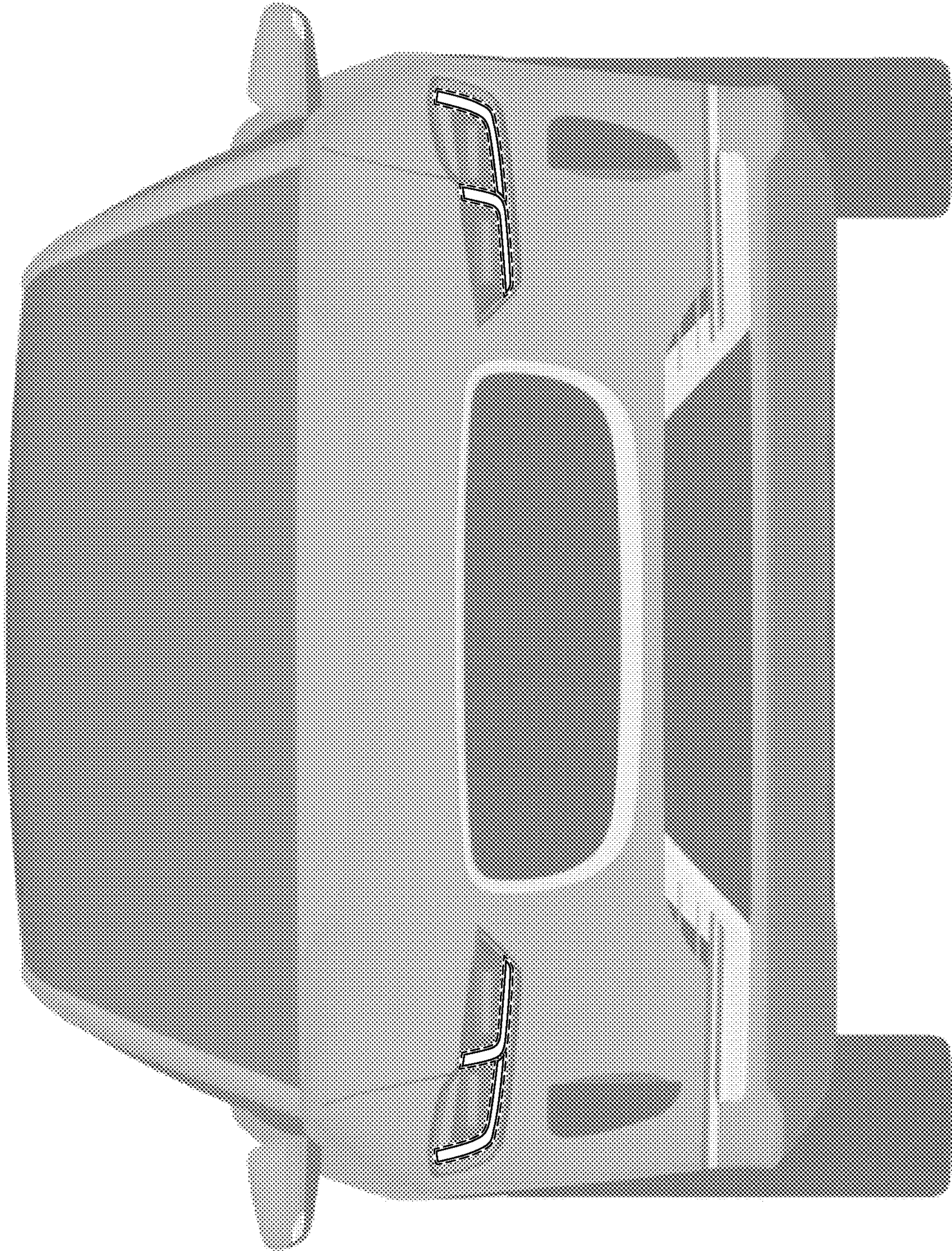


FIG. 7