



US00D913544S

(12) **United States Design Patent** (10) **Patent No.:** **US D913,544 S**  
**Thomas** (45) **Date of Patent:** **\*\* Mar. 16, 2021**

(54) **HEAD LAMP**

- (71) Applicant: **Jaguar Land Rover Limited**, Whitley Coventry (GB)
- (72) Inventor: **Gareth Thomas**, Whitley Coventry (GB)
- (73) Assignee: **Jaguar Land Rover Limited**, Coventry (GB)
- (\*\*) Term: **15 Years**
- (21) Appl. No.: **29/682,572**
- (22) Filed: **Mar. 6, 2019**

**Related U.S. Application Data**

- (62) Division of application No. 29/603,343, filed on May 9, 2017, now Pat. No. Des. 846,766.

(30) **Foreign Application Priority Data**

- Nov. 11, 2016 (EM) ..... 003459510-0001
- Nov. 11, 2016 (EM) ..... 003459510-0002

(51) **LOC (13) Cl.** ..... **26-06**

(52) **U.S. Cl.**  
USPC ..... **D26/28**

(58) **Field of Classification Search**  
USPC ..... D26/28-36, 139

(Continued)

(56) **References Cited**

**U.S. PATENT DOCUMENTS**

- D710,044 S \* 7/2014 Lai ..... D26/28
- D721,196 S \* 1/2015 Lai ..... D26/28

(Continued)

*Primary Examiner* — Marcus A Jackson

(74) *Attorney, Agent, or Firm* — Wood Herron & Evans LLP

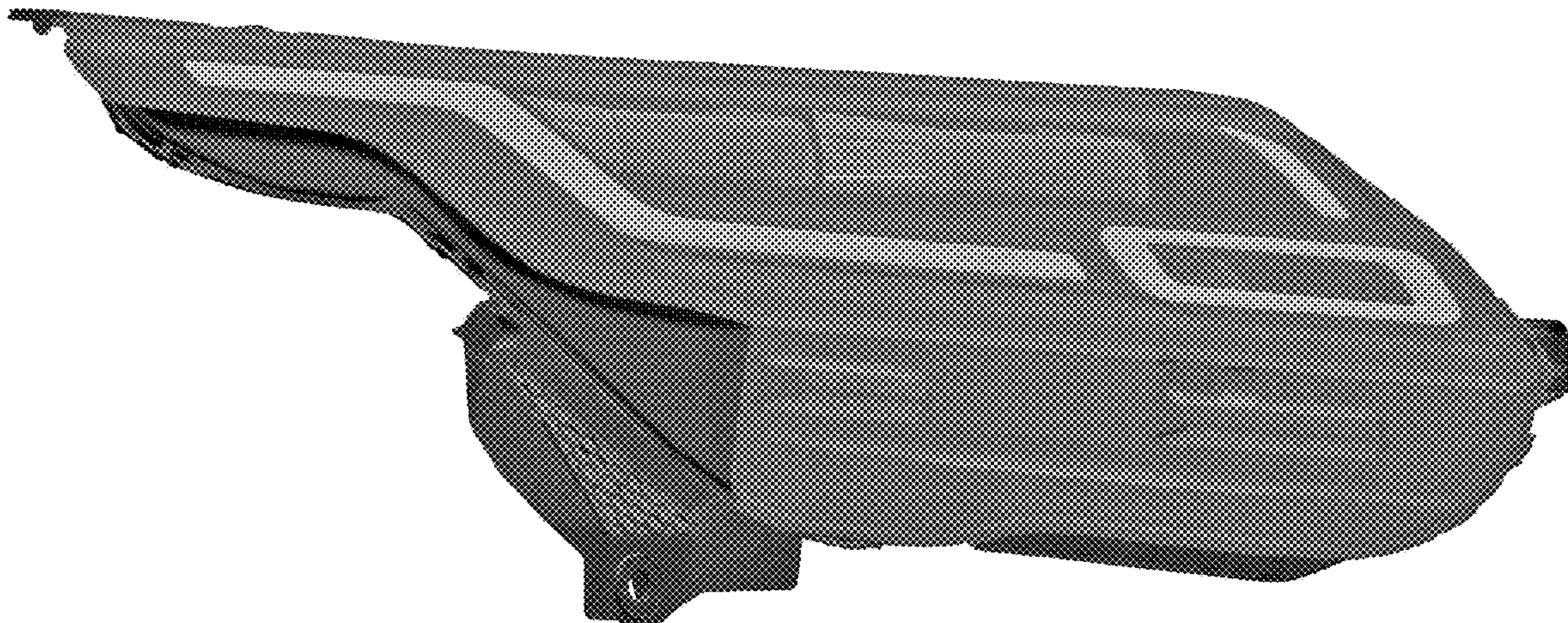
(57) **CLAIM**

The ornamental design for a head lamp, as shown and described.

**DESCRIPTION**

FIG. 1 is a front left perspective view of a head lamp for a vehicle according to the present invention.  
 FIG. 2 is a front view of the head lamp shown in FIG. 1.  
 FIG. 3 is a left side view thereof.  
 FIG. 4 is a rear left perspective view thereof.  
 FIG. 5 is a front right perspective view thereof.  
 FIG. 6 is a rear view thereof.  
 FIG. 7 is a rear right perspective view thereof.  
 FIG. 8 is a right side view thereof.  
 FIG. 9 is a top view thereof.  
 FIG. 10 is a front left perspective view of the head lamp shown in FIGS. 1-9, mounted on a vehicle, with the rest of the vehicle shown in de-emphasized and half-tone portions so as to illustrate environmental structure. These portions form no part of the claimed design. More particularly, in FIG. 10, the inventive head lamp is shown within the broken line, and the elements shown outside the broken line form no part of the claimed design, but are instead included to show environmental aspects thereof.  
 FIG. 11 is a front left perspective view of a head lamp for a vehicle according to an alternative embodiment of the present invention.  
 FIG. 12 is a front view of the head lamp shown in FIG. 11.  
 FIG. 13 is a left side view thereof.  
 FIG. 14 is a rear left perspective view thereof.  
 FIG. 15 is a front right perspective side view thereof.  
 FIG. 16 is a rear view thereof.  
 FIG. 17 is a rear right perspective view thereof.  
 FIG. 18 is a right side view thereof.  
 FIG. 19 is a top view thereof; and,  
 FIG. 20 is a front left perspective view of the head lamp shown in FIGS. 11-20, mounted on a vehicle, with the rest of the vehicle shown in de-emphasized and half-tone portions so as to illustrate environmental structure. These portions form no part of the claimed design. More particularly, in FIG. 20, the inventive head lamp is shown within the broken line, and the elements shown outside the broken line

(Continued)



form no part of the claimed design, but are instead included to show environmental aspects thereof.

**1 Claim, 18 Drawing Sheets**

(58) **Field of Classification Search**

CPC ..... F21S 48/00; F21S 48/10; F21S 48/115;  
F21S 48/225; F21S 48/1233; F21S  
48/1266; F21S 48/1388; F21S 48/2268;  
F21V 21/04; F21V 29/004; B60Q 9/13;  
B60Q 9/135; B60Q 9/1375

See application file for complete search history.

(56) **References Cited**

U.S. PATENT DOCUMENTS

D757,970 S \* 5/2016 Binder ..... D26/28  
D762,314 S \* 7/2016 Luk ..... D26/28

\* cited by examiner

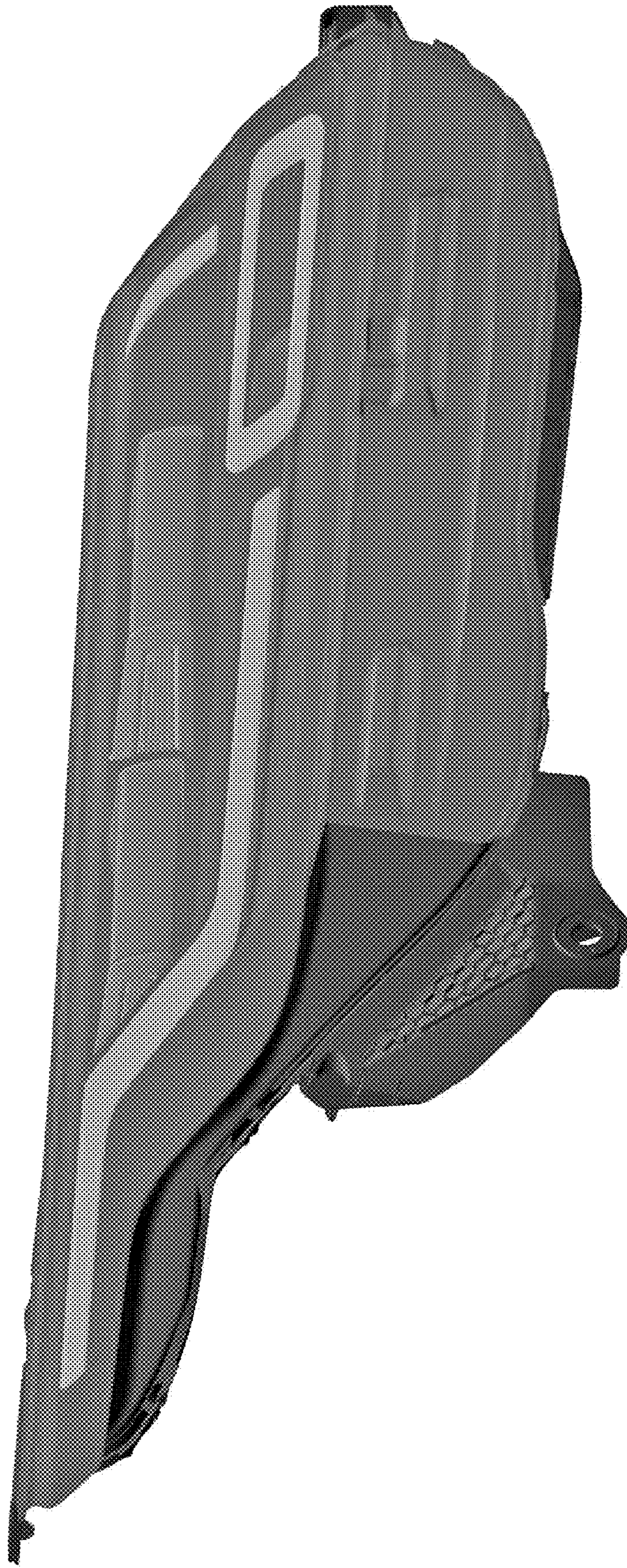


FIG. 1

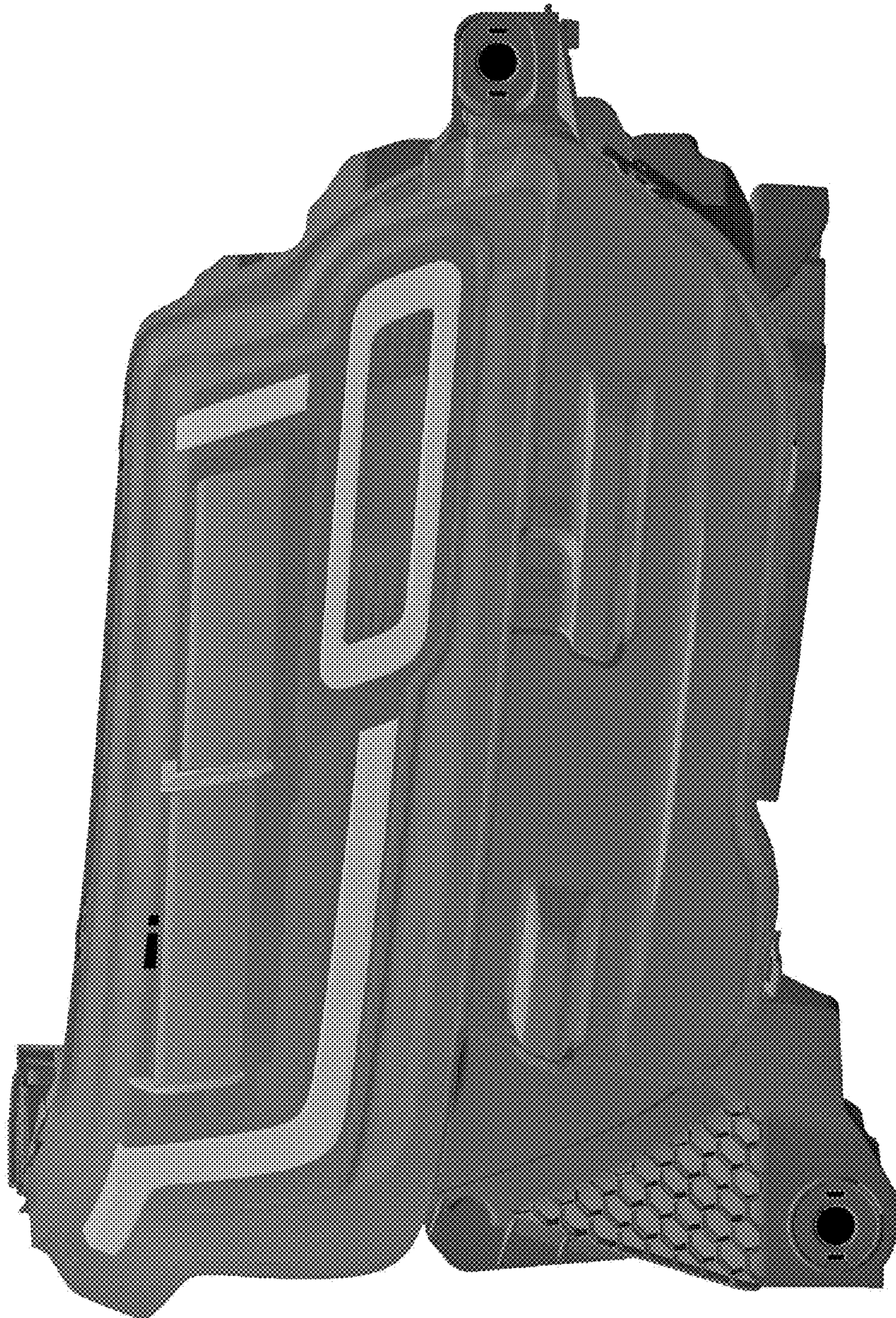


FIG. 2

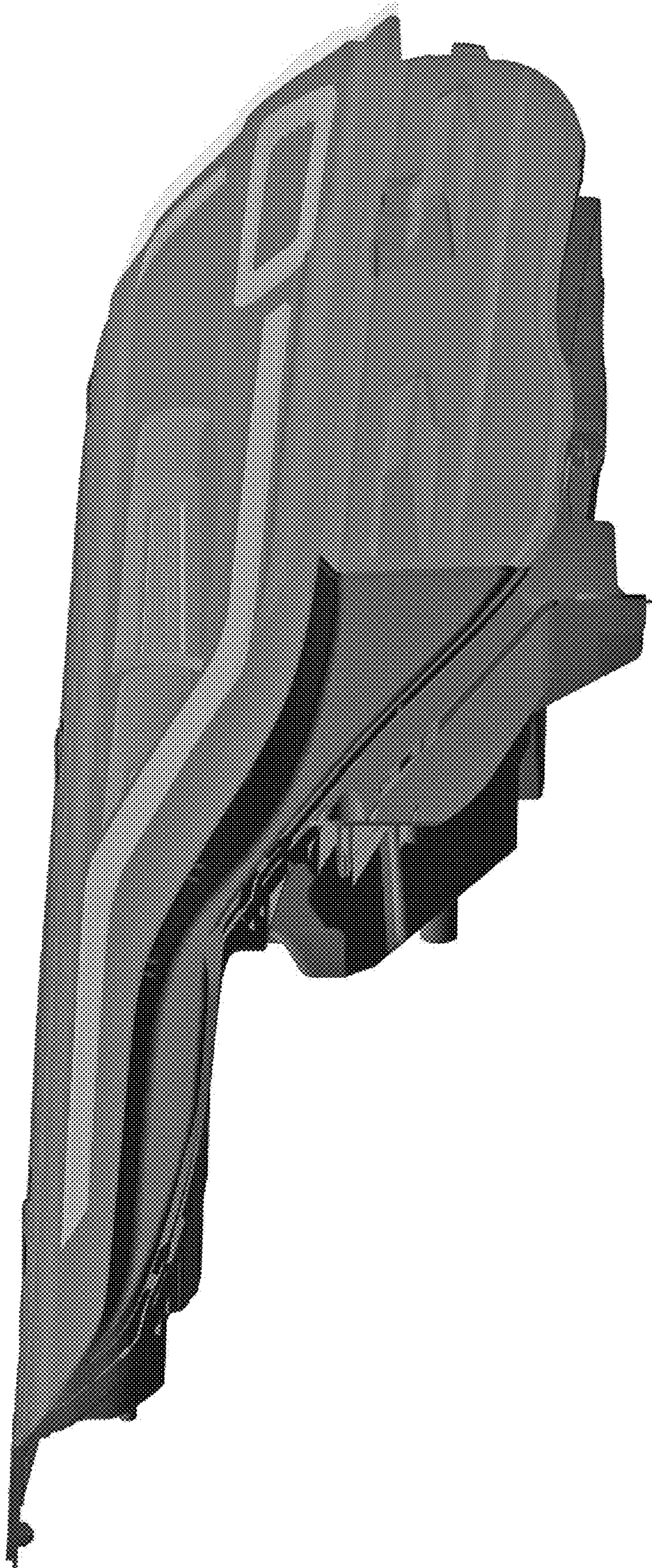


FIG. 3

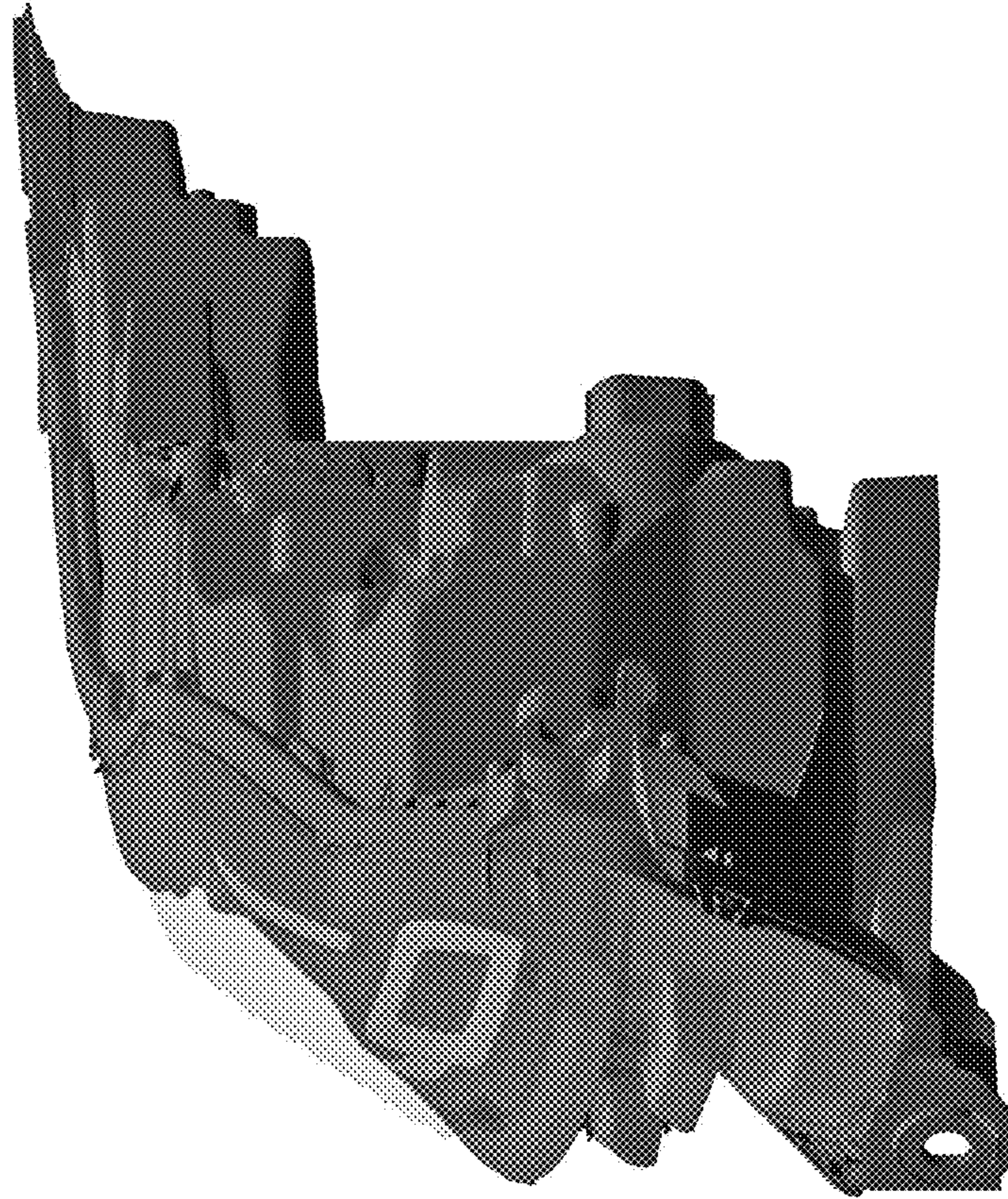


FIG. 5

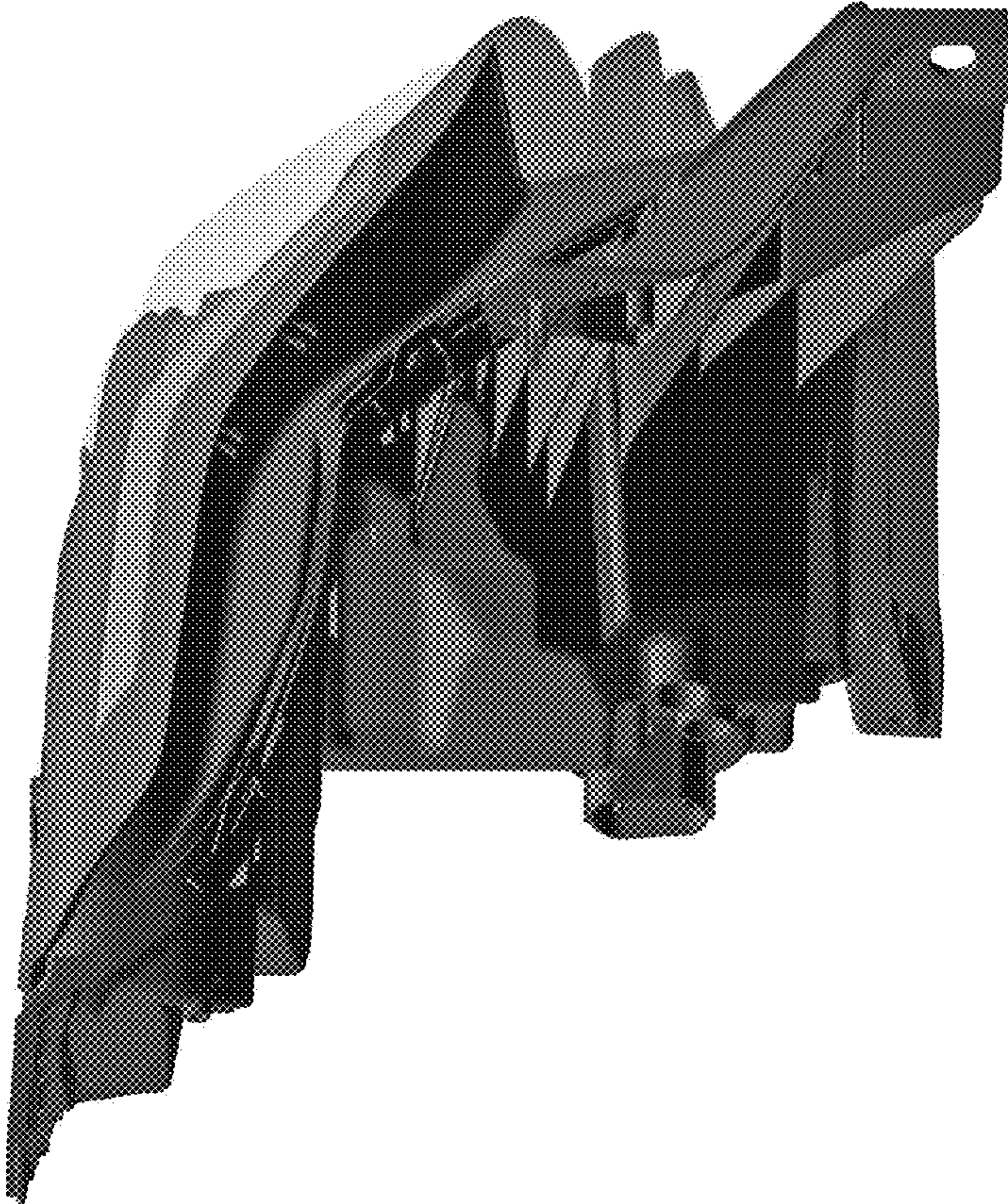


FIG. 4

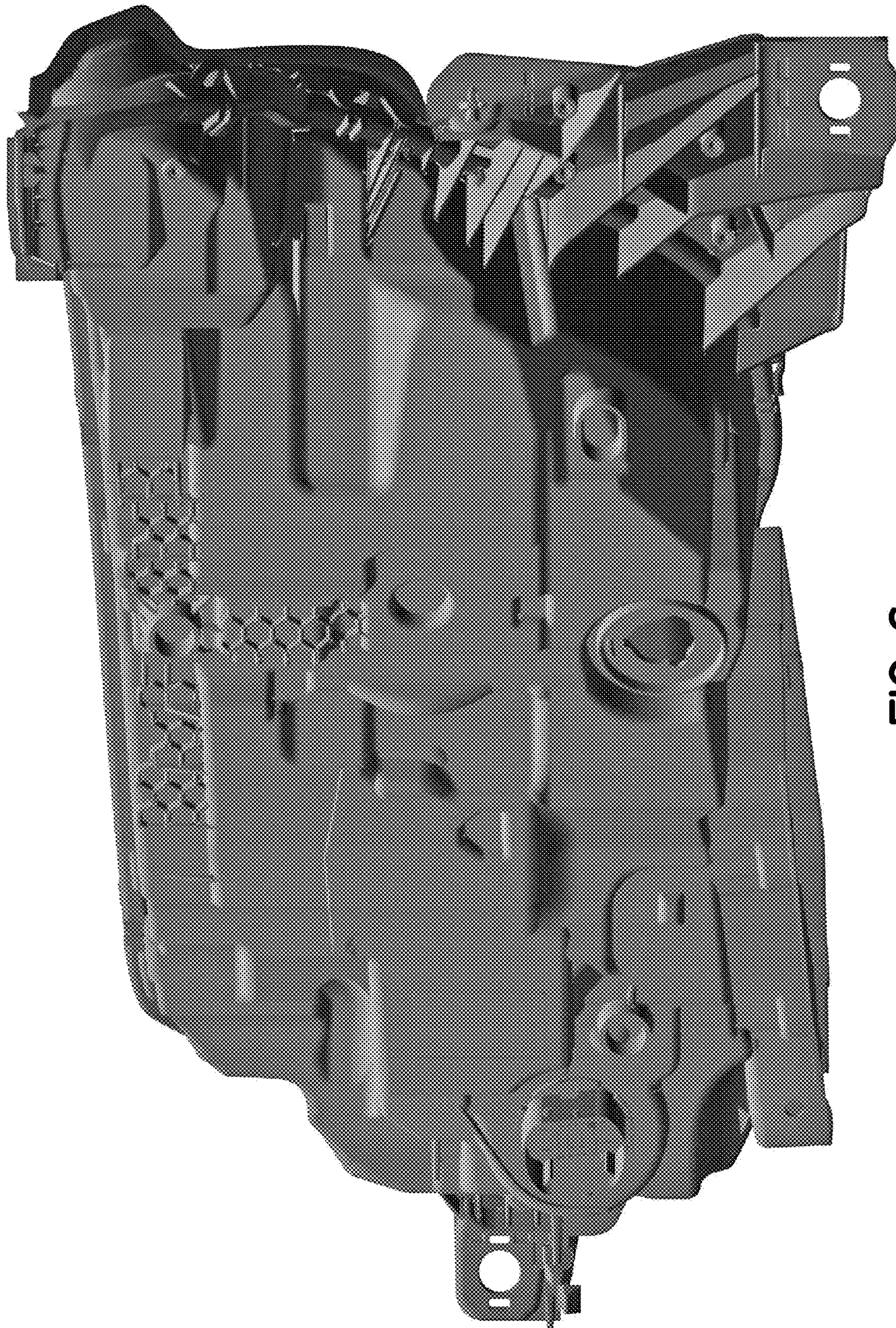


FIG. 6

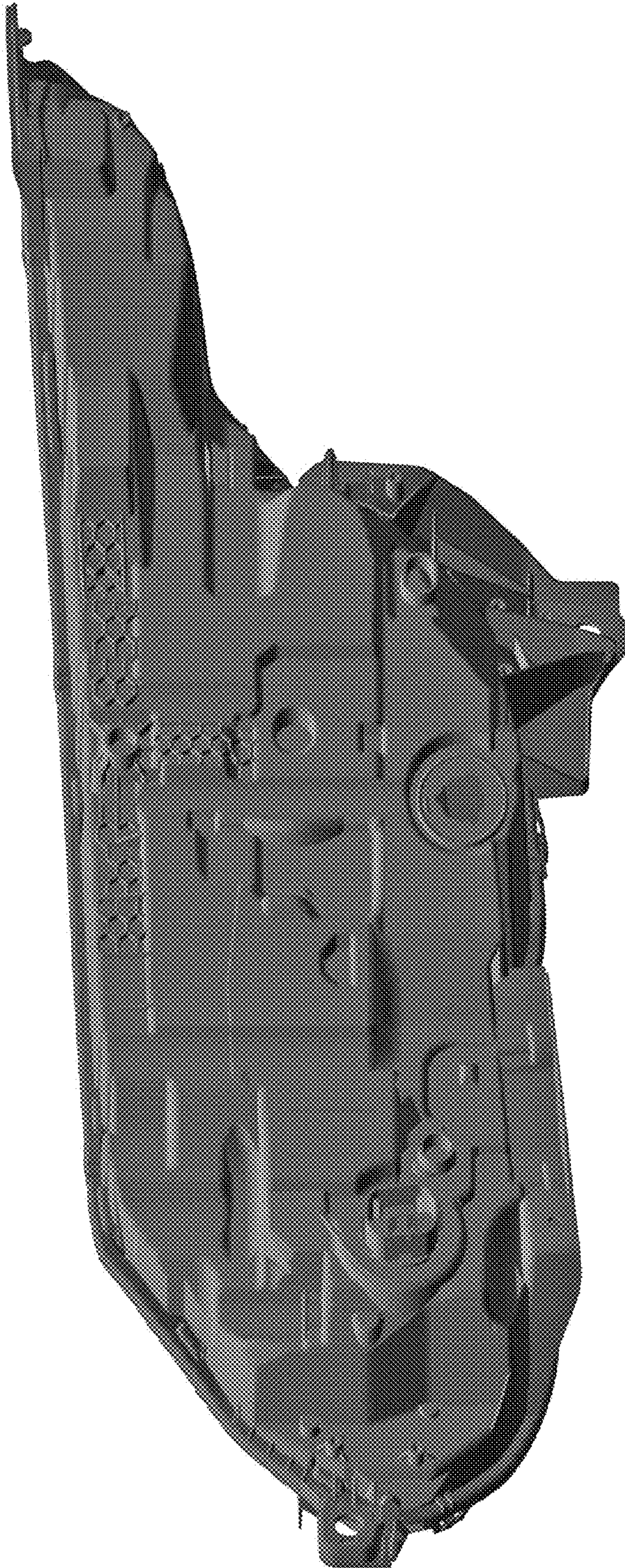


FIG. 7



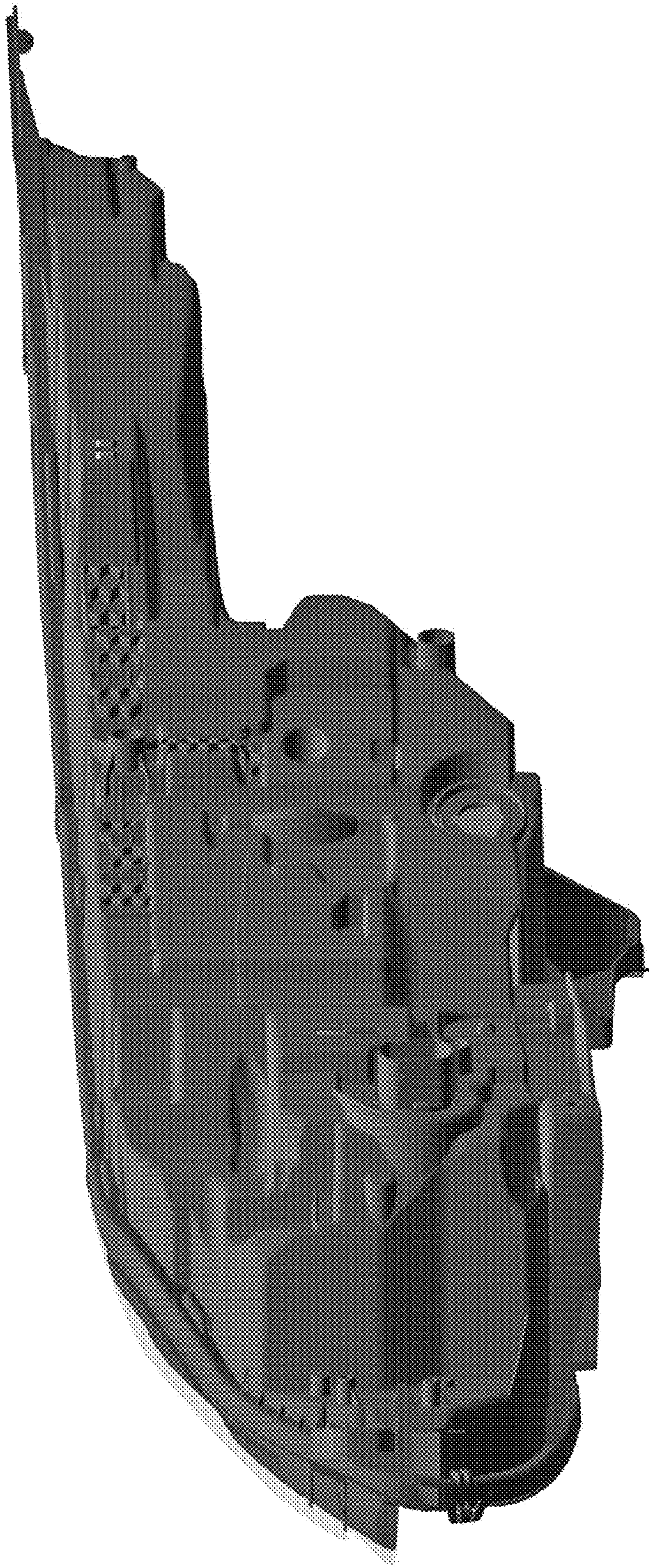


FIG. 8

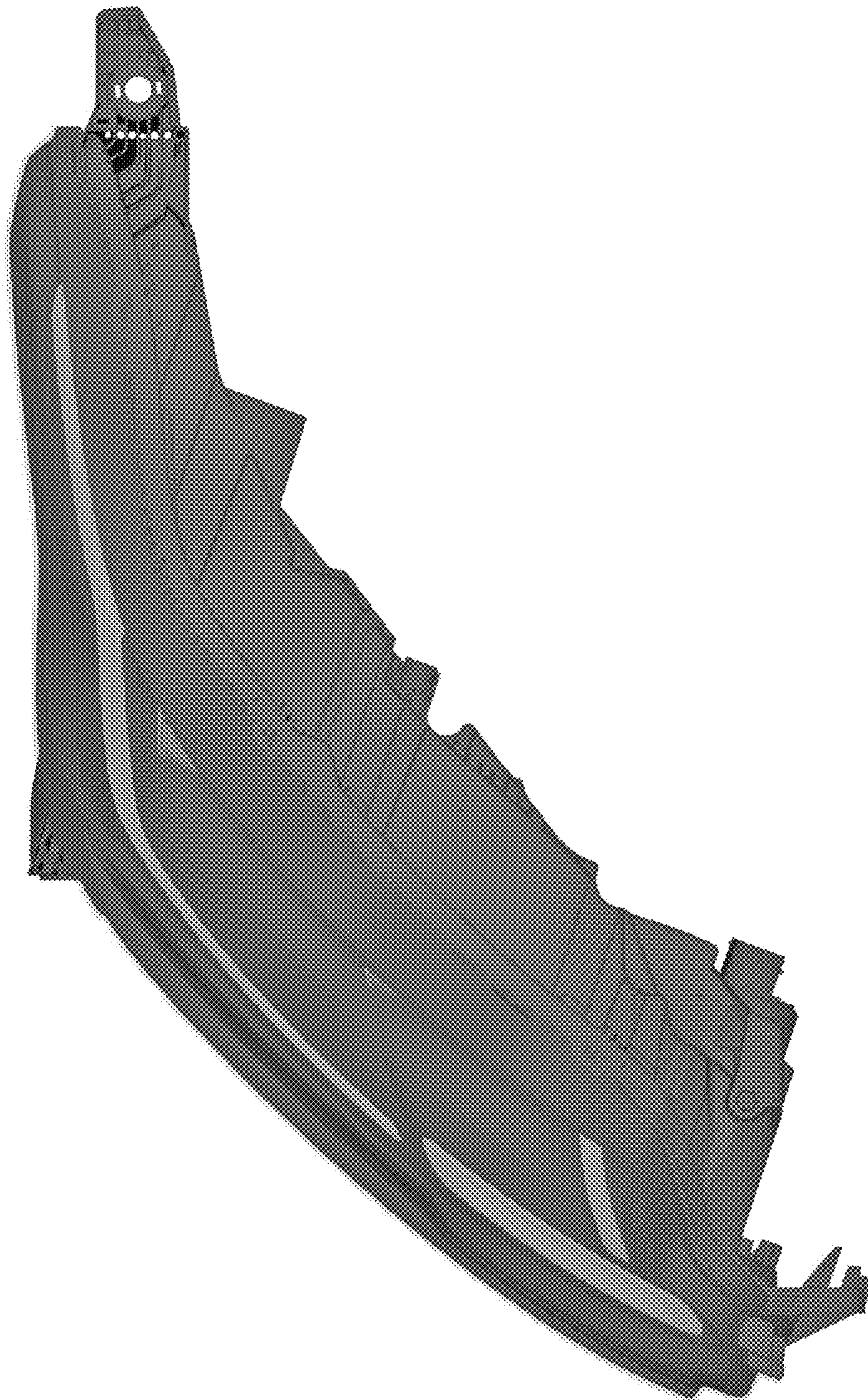


FIG. 9

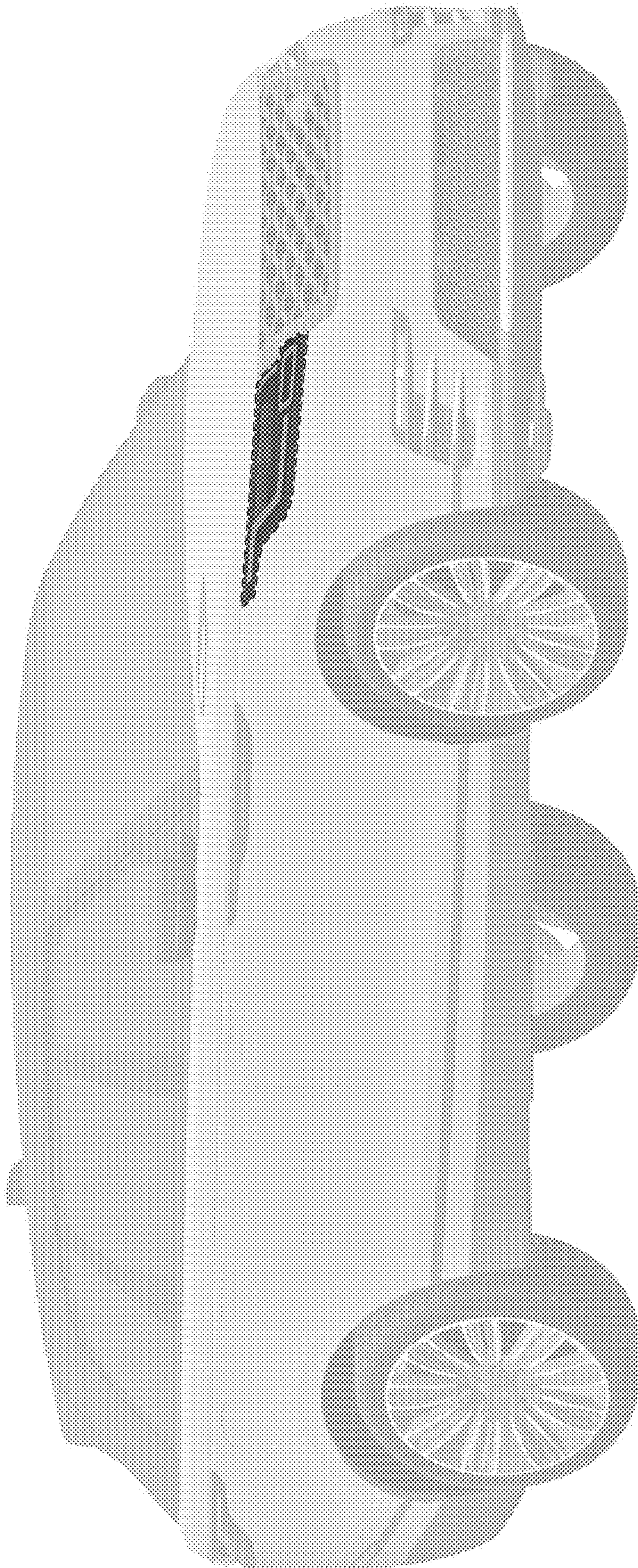


FIG. 10

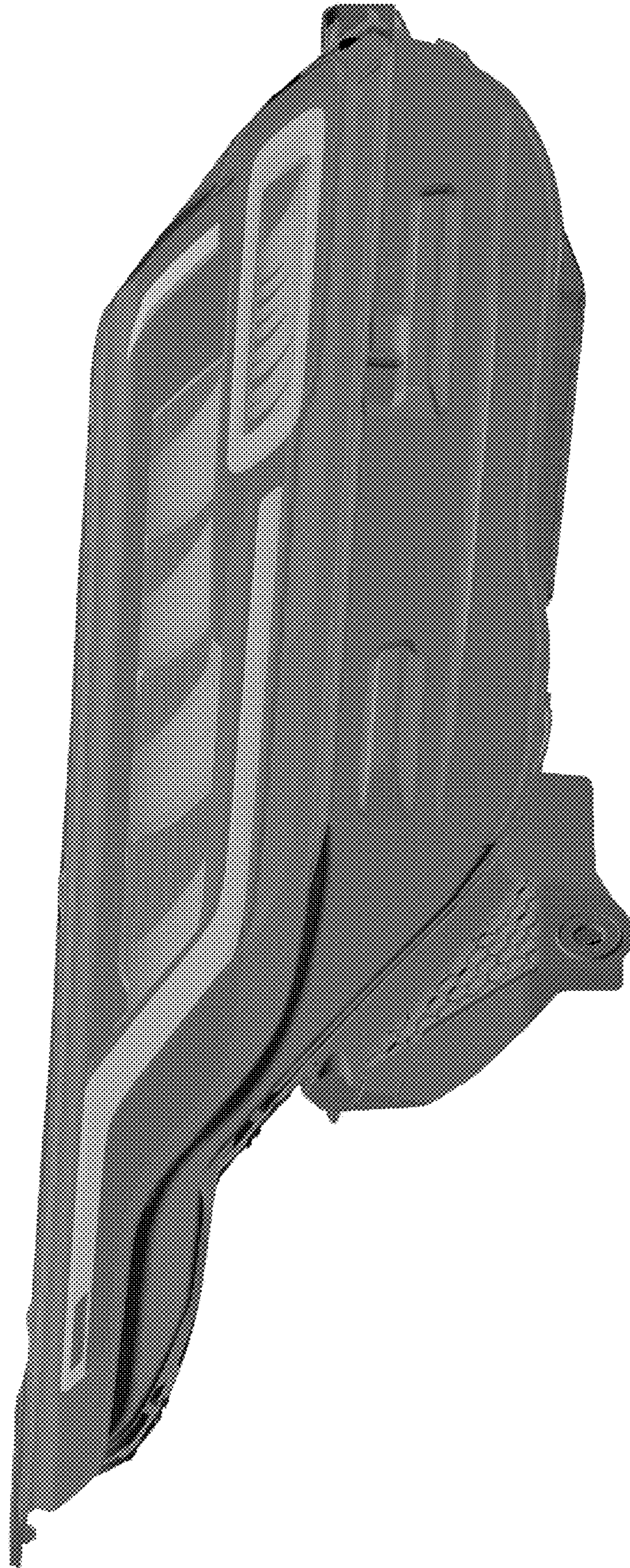


FIG. 11

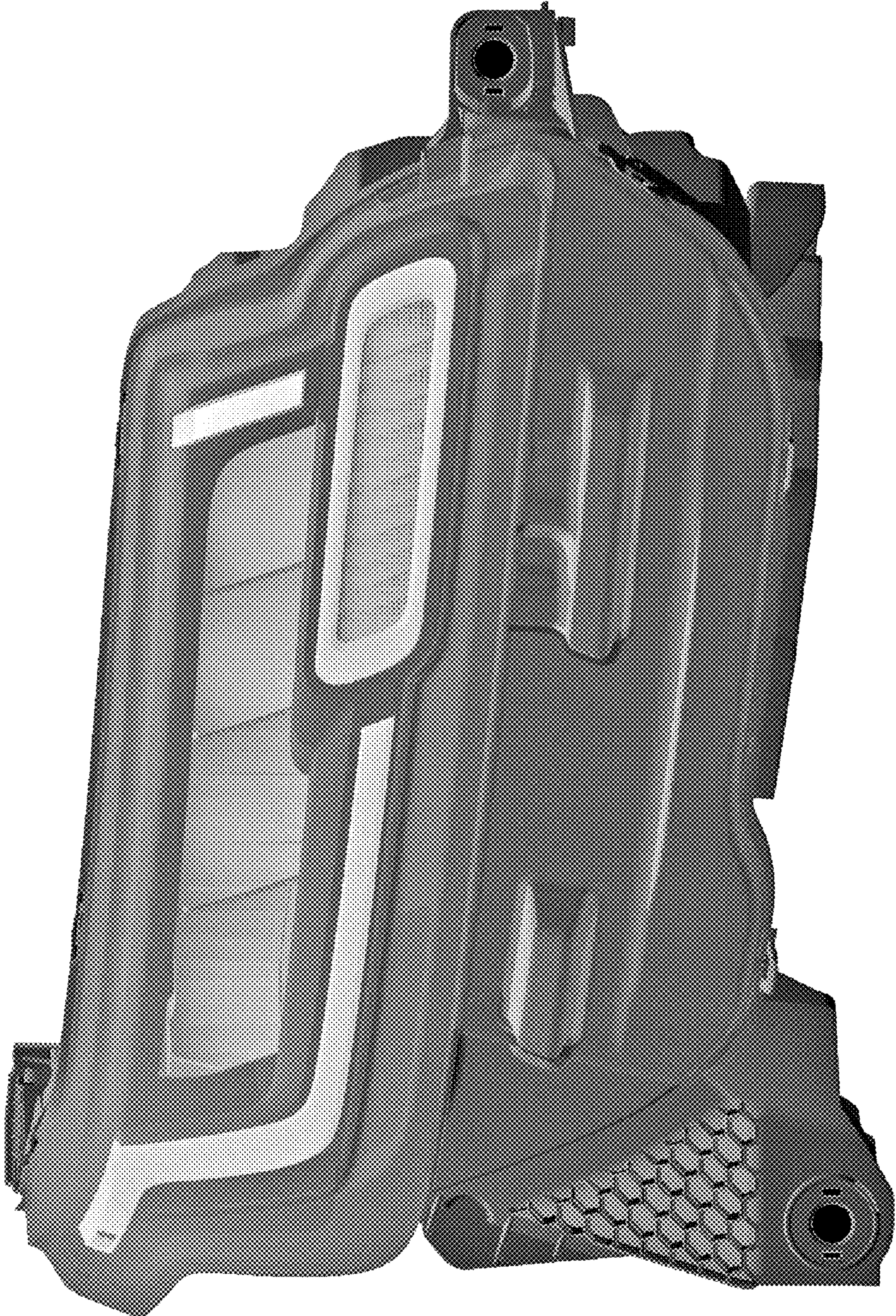


FIG. 12

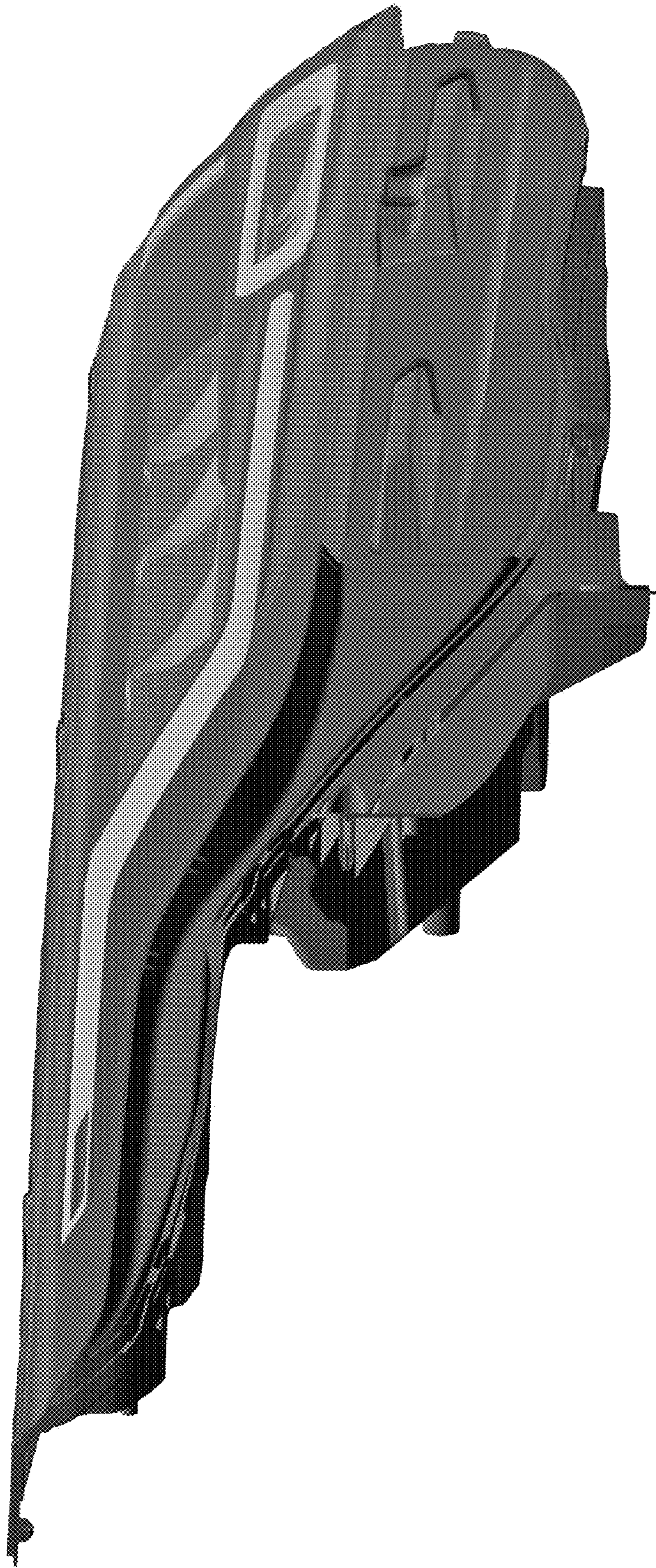


FIG. 13

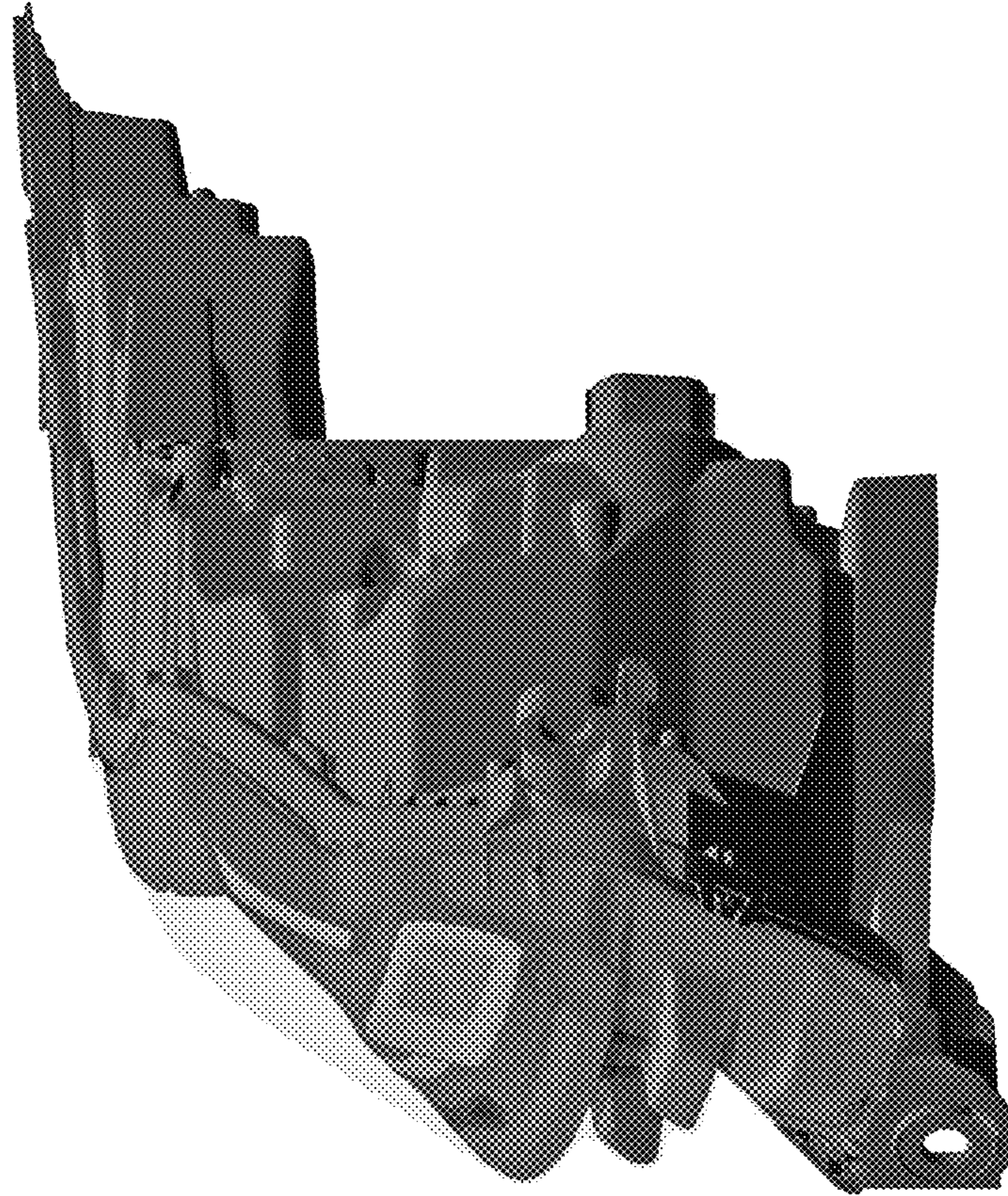


FIG. 15

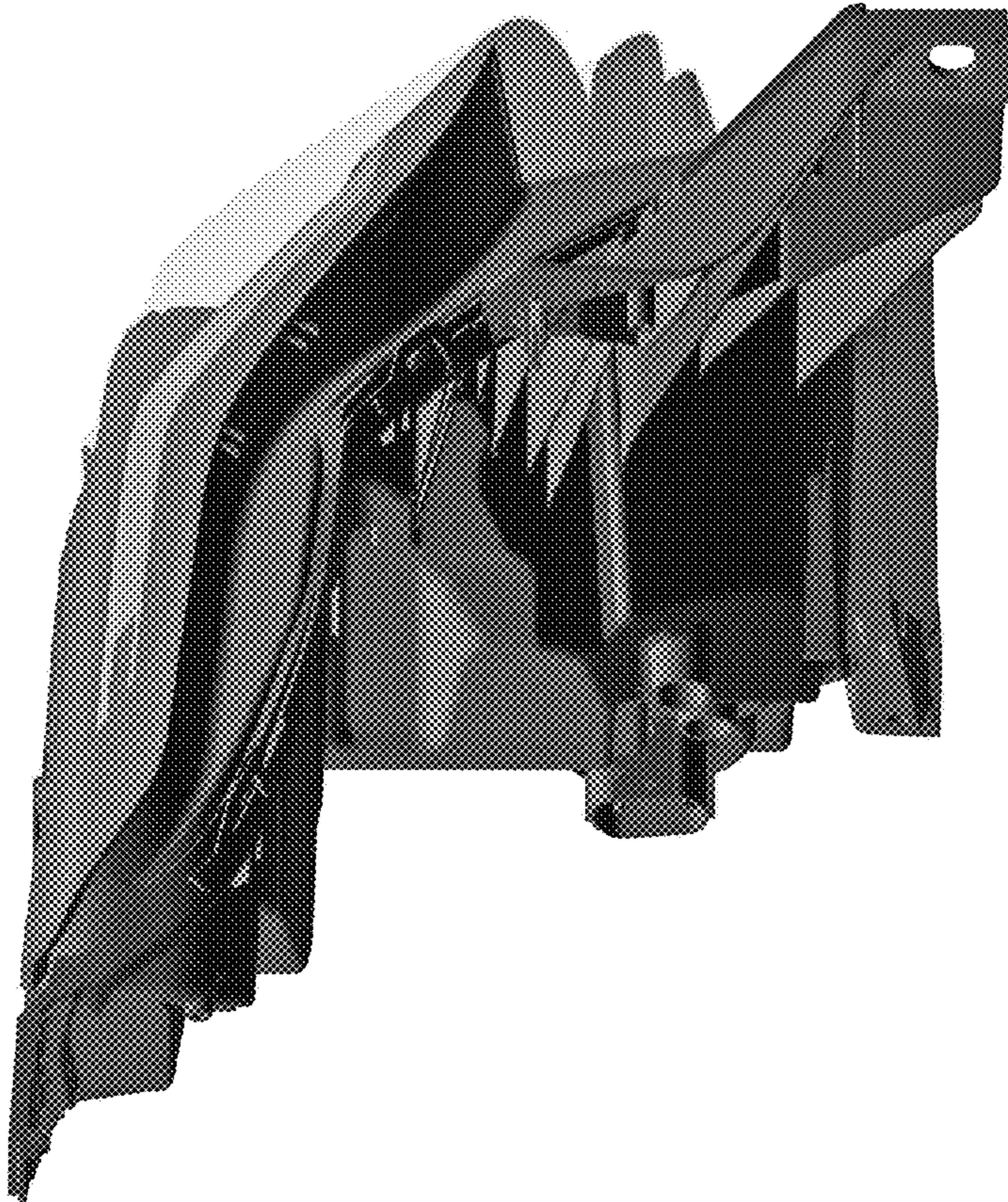


FIG. 14

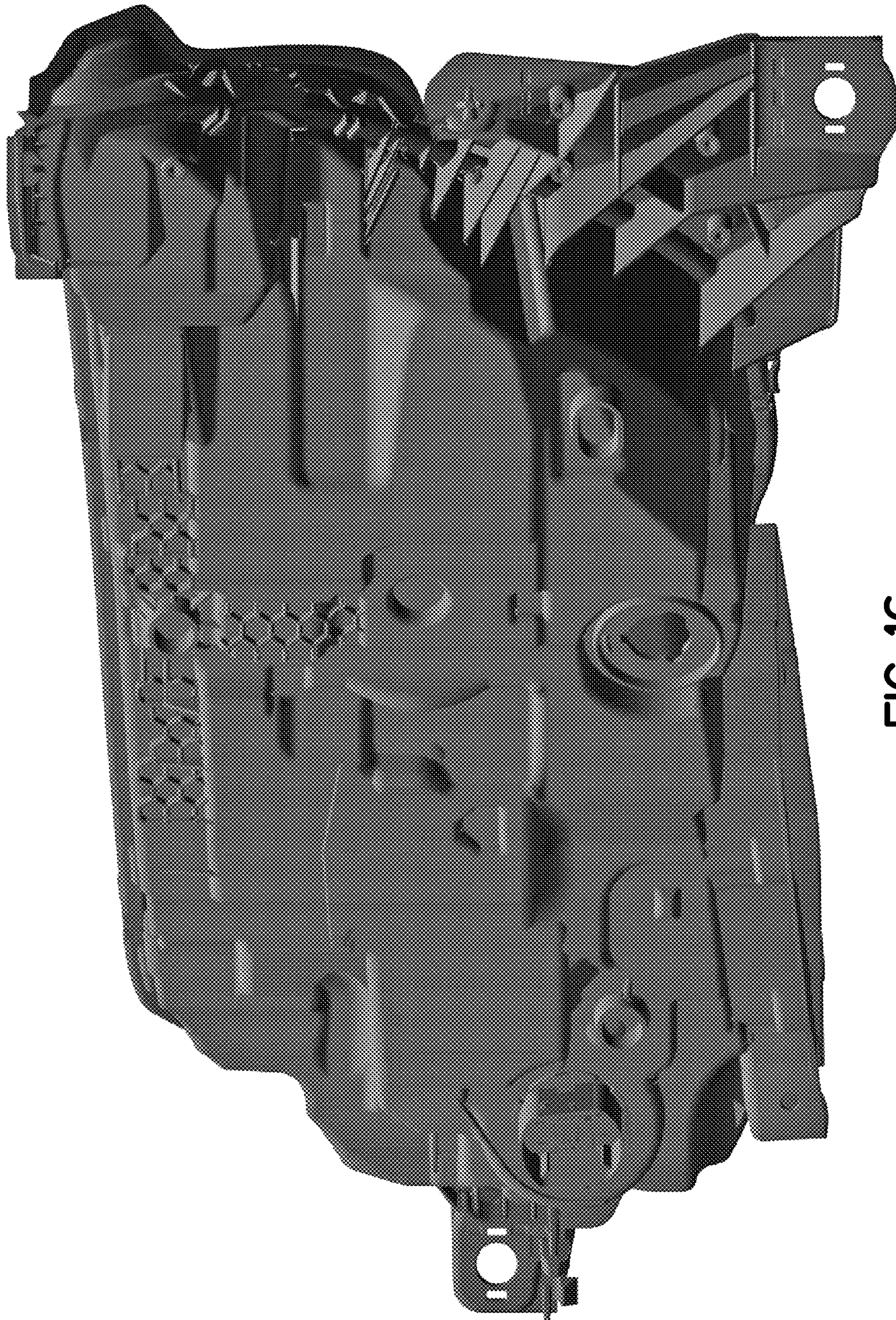


FIG. 16



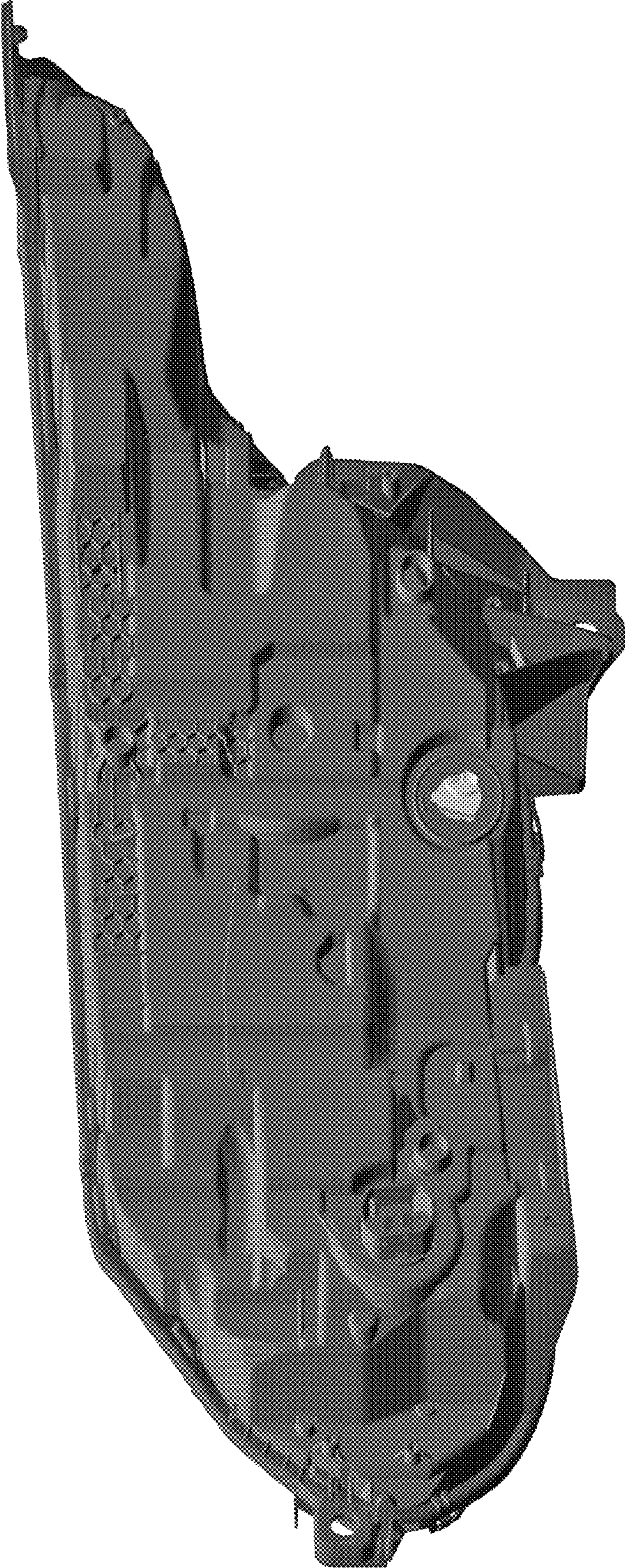


FIG. 17

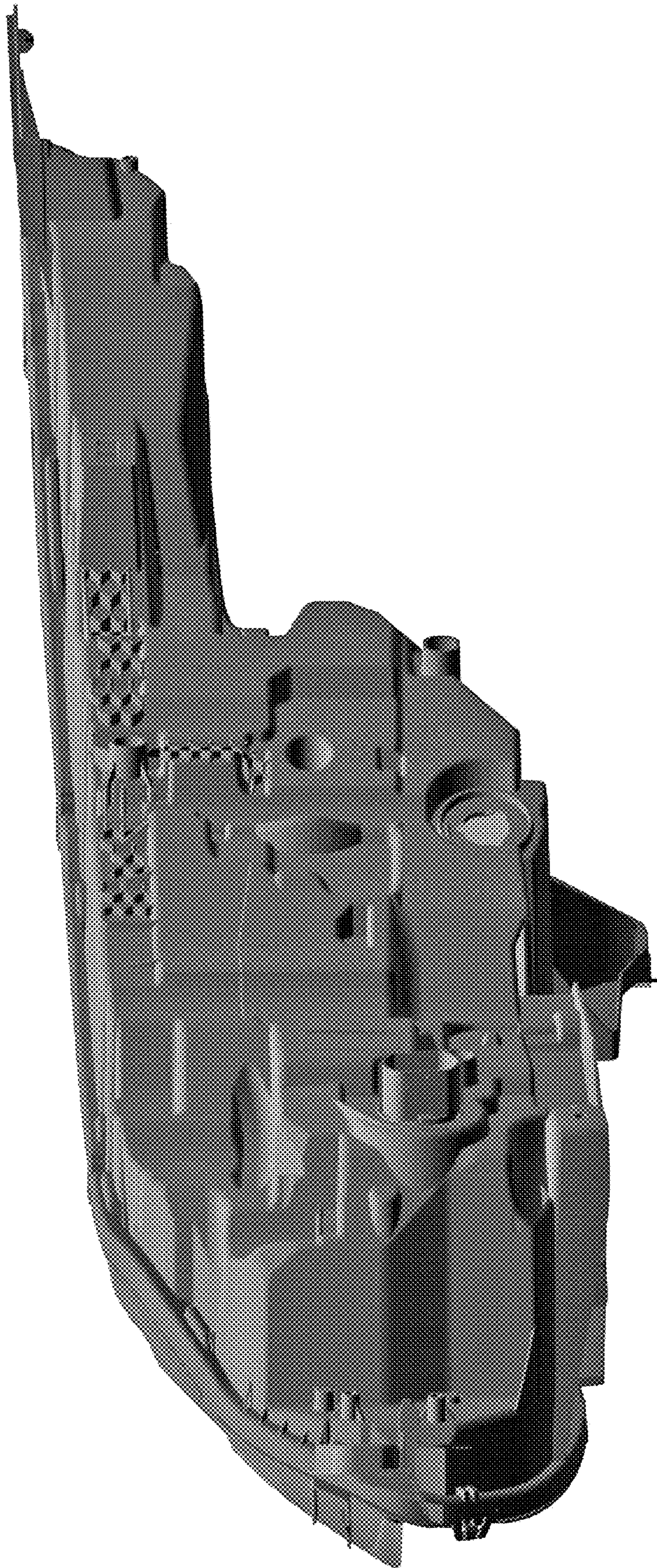


FIG. 18

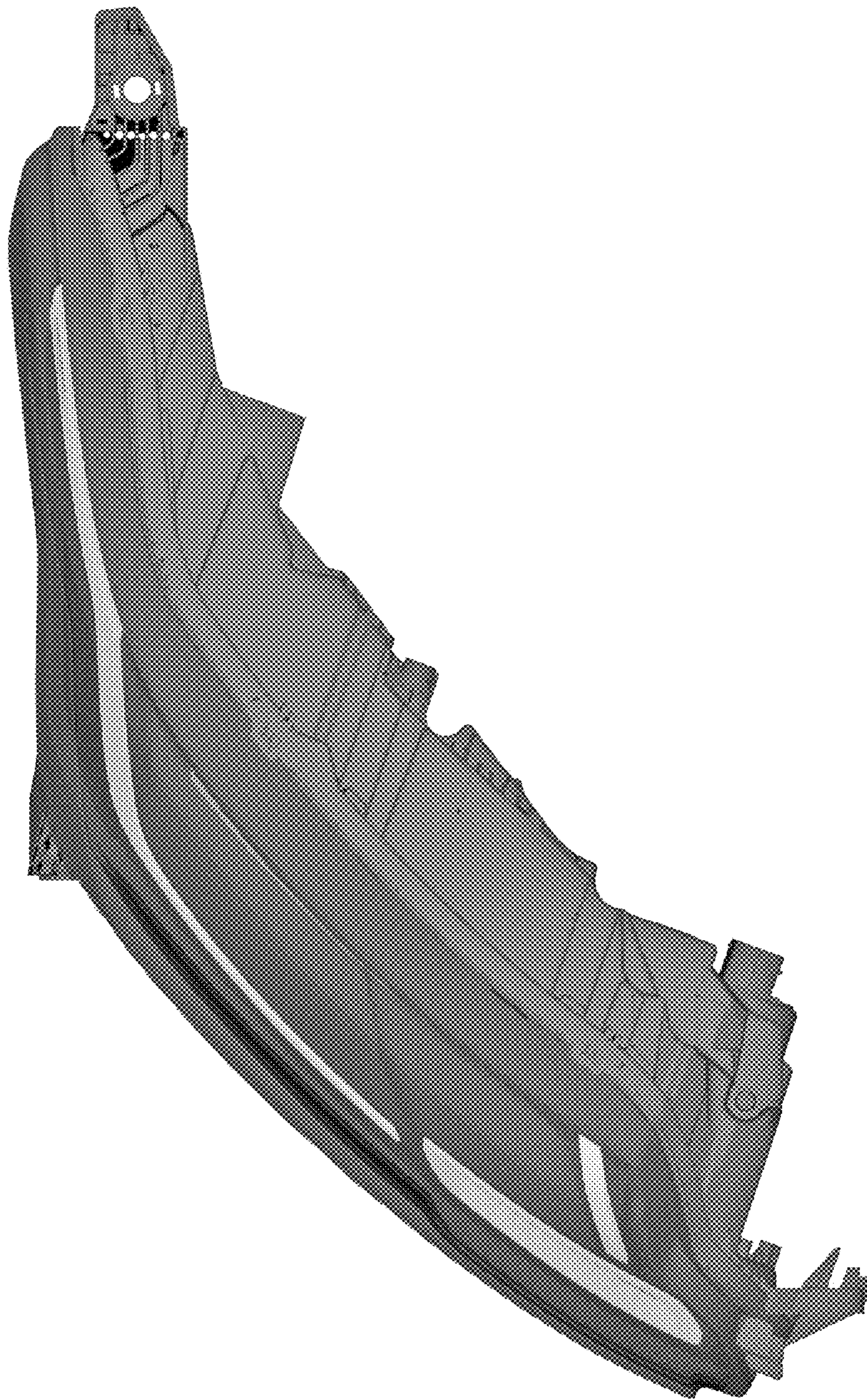


FIG. 19

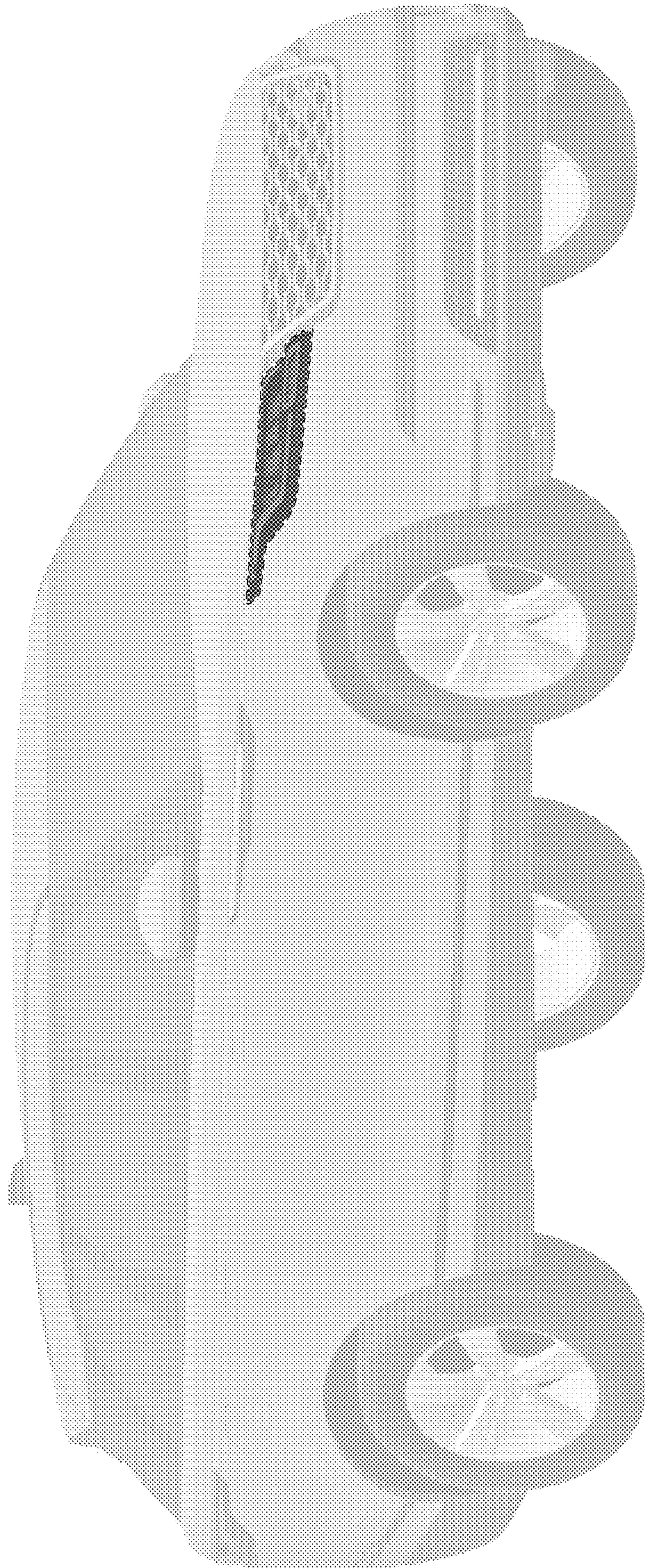


FIG. 20