



US00D913541S

(12) **United States Design Patent** (10) **Patent No.:** **US D913,541 S**
Thomas et al. (45) **Date of Patent:** **** Mar. 16, 2021**

(54) **HEADLIGHT**
(71) Applicant: **Jaguar Land Rover Limited**, Coventry (GB)
(72) Inventors: **Gareth Thomas**, Coventry (GB); **Robert Battams**, Coventry (GB)
(73) Assignee: **Jaguar Land Rover Limited**, Whitley Coventry (GB)

D819,851 S * 6/2018 Munakata D26/28
D833,658 S * 11/2018 Lee D26/28
D835,313 S * 12/2018 Jung D26/28
D855,848 S * 8/2019 Lai D26/28

* cited by examiner

Primary Examiner — Marcus A Jackson
(74) *Attorney, Agent, or Firm* — Wood Herron & Evans LLP

(**) Term: **15 Years**
(21) Appl. No.: **29/673,654**
(22) Filed: **Dec. 17, 2018**

(57) **CLAIM**

The ornamental design for a headlight, as shown and described.

(30) **Foreign Application Priority Data**

Jun. 28, 2018 (EM) 005329109
Aug. 14, 2018 (EM) 005608775

DESCRIPTION

(51) **LOC (13) Cl.** **26-06**
(52) **U.S. Cl.**
USPC **D26/28**
(58) **Field of Classification Search**
USPC D26/28-36, 139
CPC F21S 48/00; F21S 48/10; F21S 48/115;
F21S 48/225; F21S 48/1233; F21S
48/1266; F21S 48/1388; F21S 48/2268;
F21V 21/04; B60Q 9/13; B60Q 9/135;
B60Q 9/1375

FIG. 1 is a front left elevated perspective view of a headlight according to the present invention.
FIG. 2 is a front left perspective view of the headlight shown in FIG. 1.
FIG. 3 is a rear right elevated perspective view thereof.
FIG. 4 is a rear right perspective view thereof.
FIG. 5 is a front view thereof.
FIG. 6 is a rear view thereof.
FIG. 7 is a left side view thereof.
FIG. 8 is a right side view thereof.
FIG. 9 is a top view thereof.
FIG. 10 is a bottom view thereof; and,
FIG. 11 is another front view thereof, but mounted on a vehicle to show environmental structure, the vehicle being unclaimed and shown in broken lines.

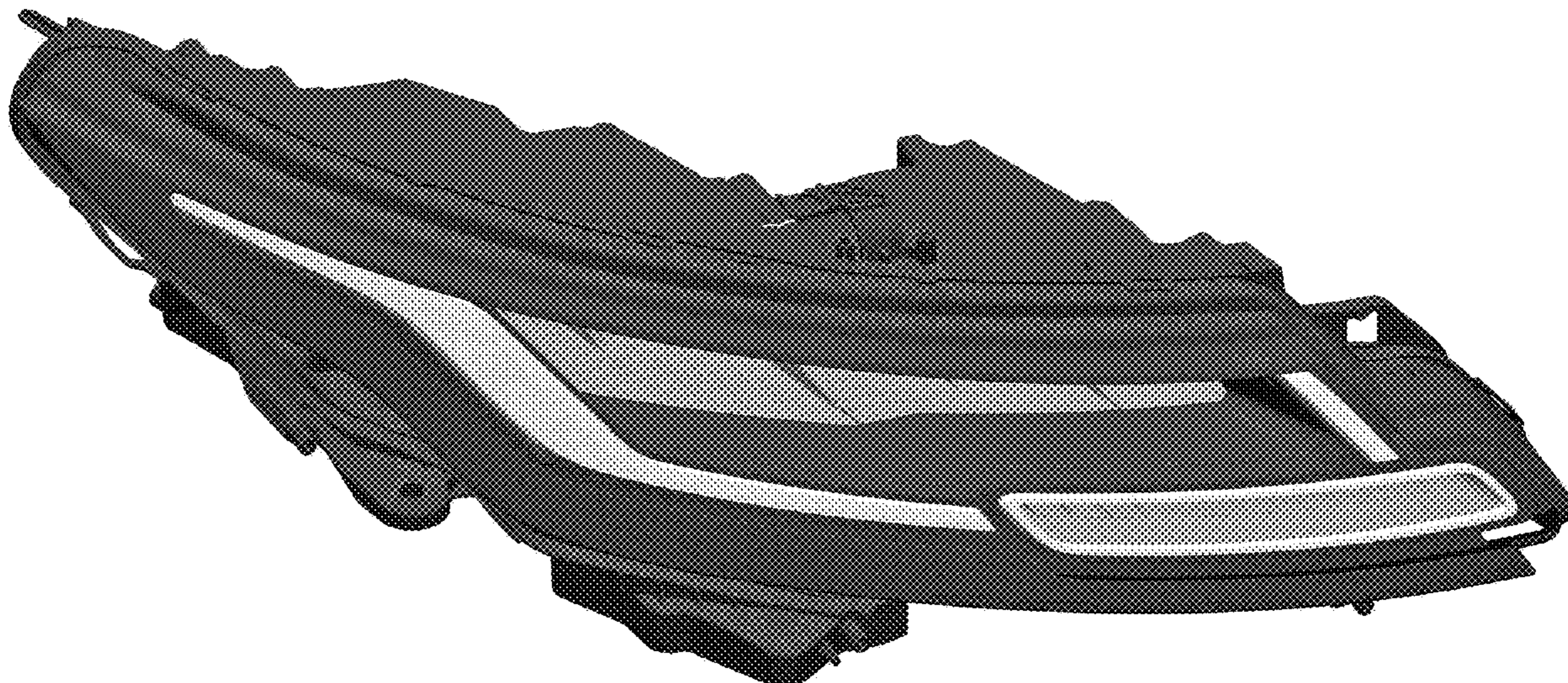
See application file for complete search history.

(56) **References Cited**

U.S. PATENT DOCUMENTS

D785,829 S * 5/2017 Park D26/28
D797,965 S * 9/2017 Matsumoto D26/28

1 Claim, 11 Drawing Sheets



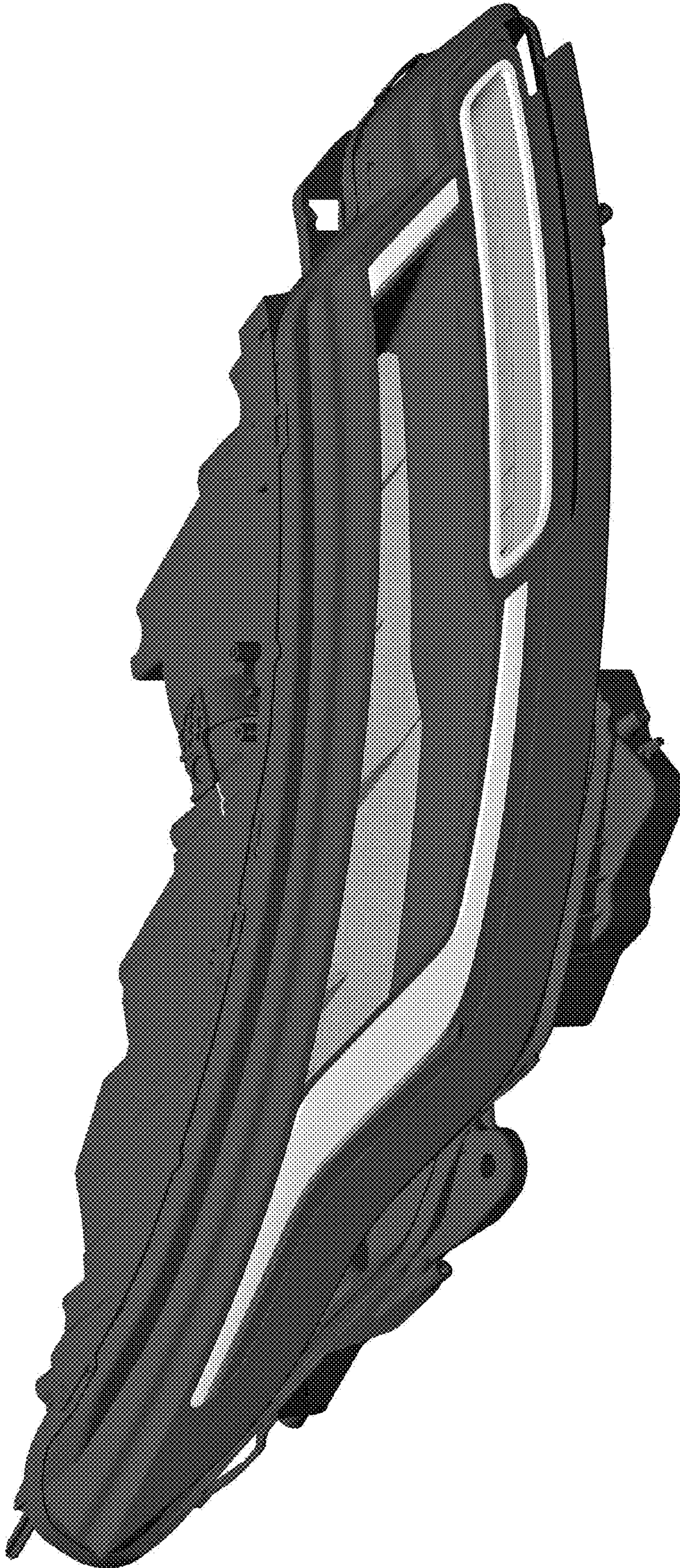


FIG. 1

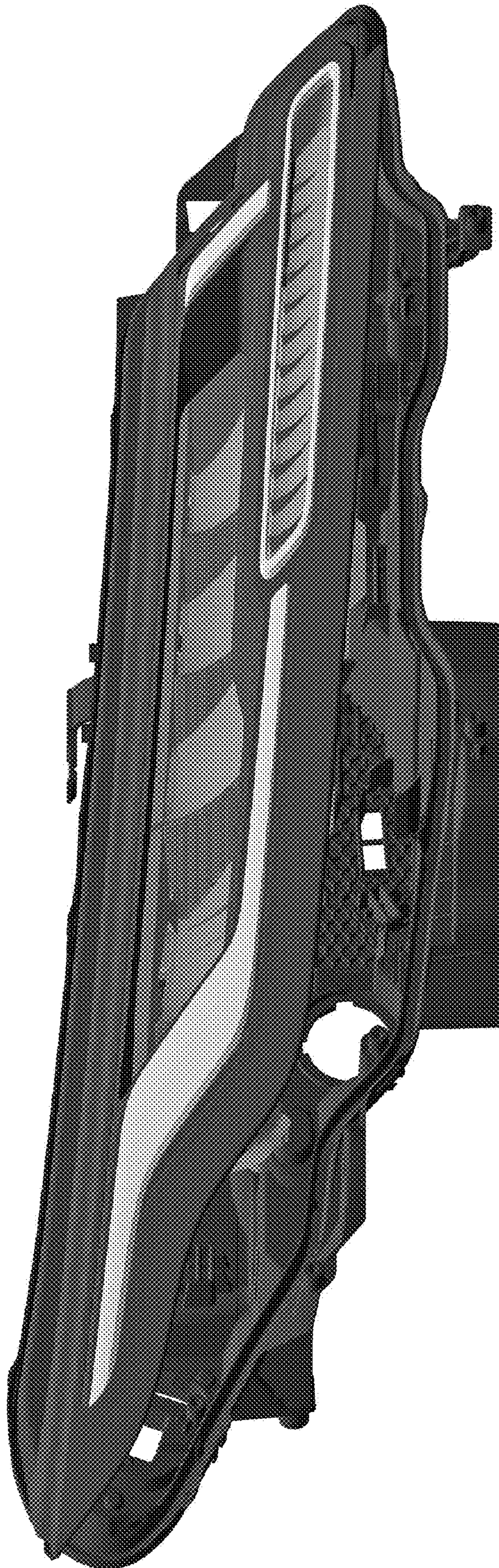


FIG. 2

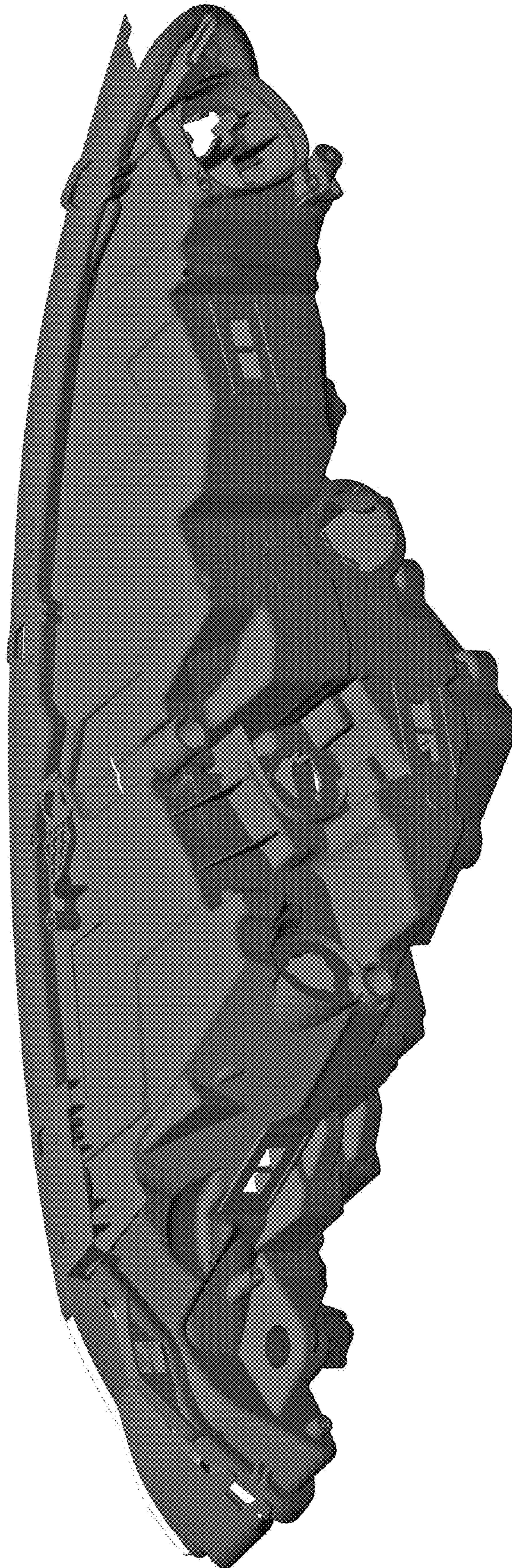


FIG. 3

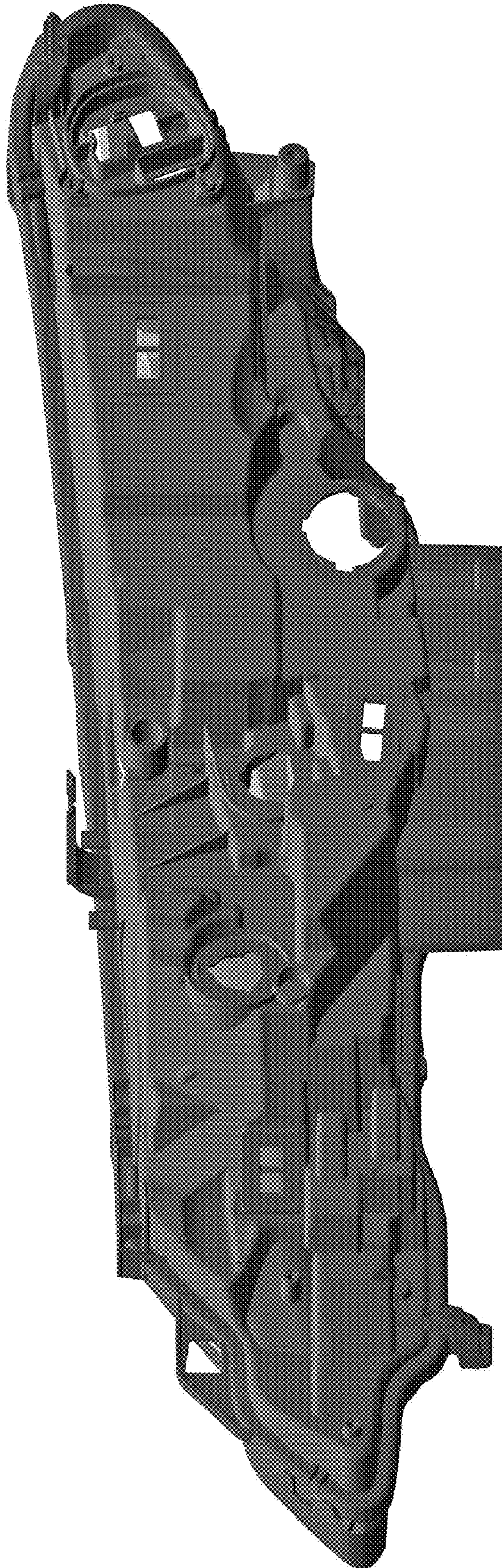


FIG. 4

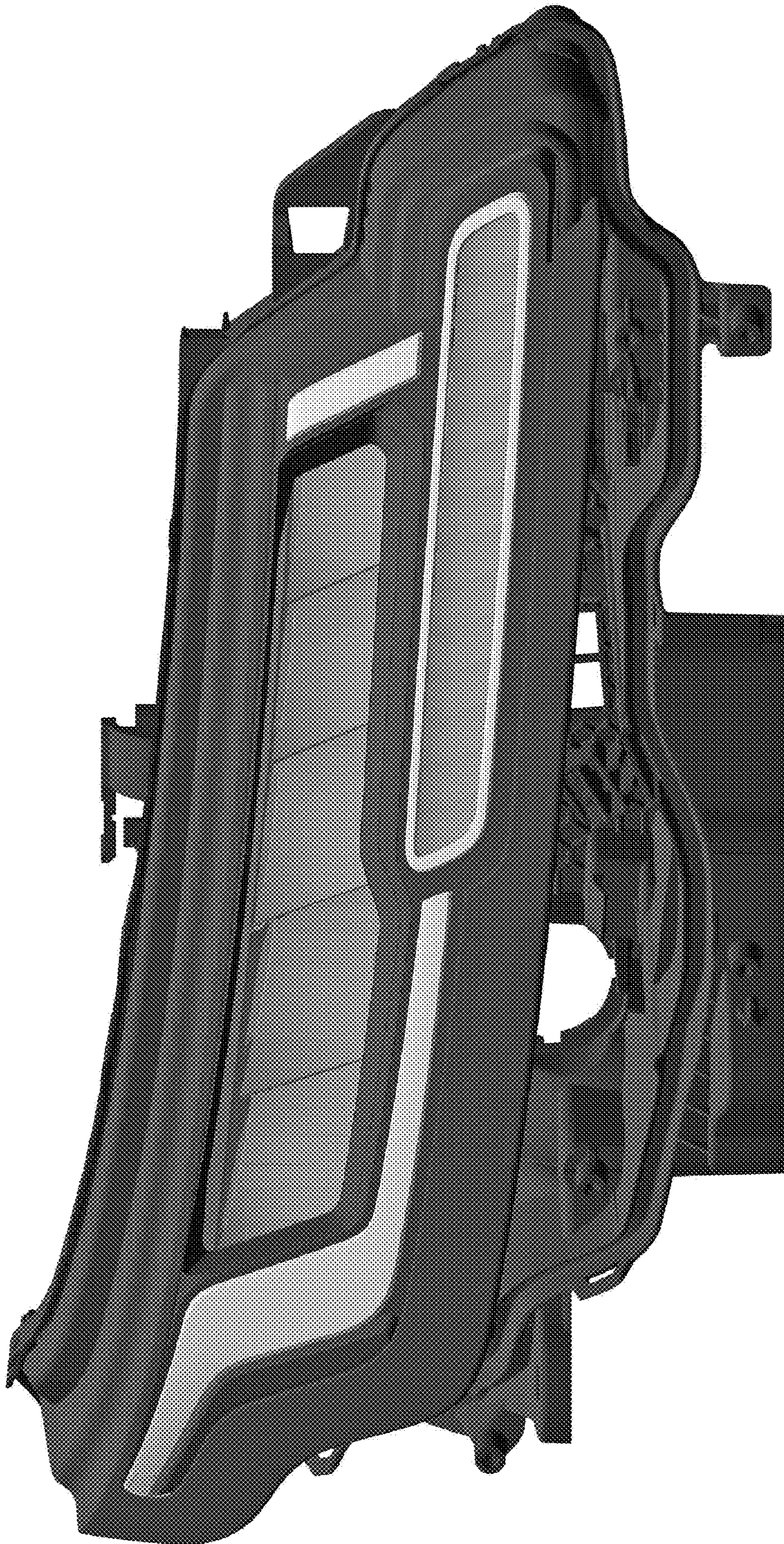


FIG. 5

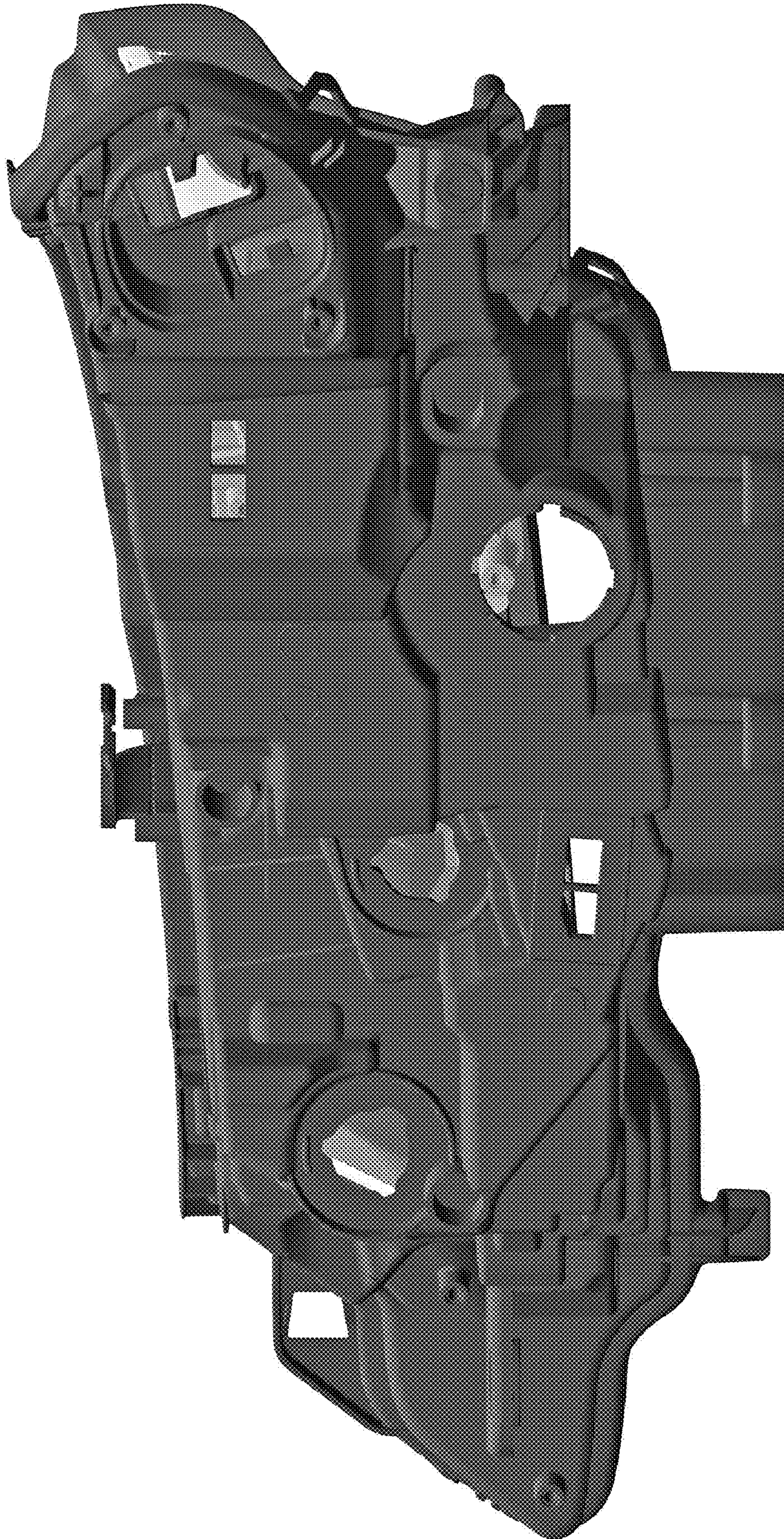


FIG. 6

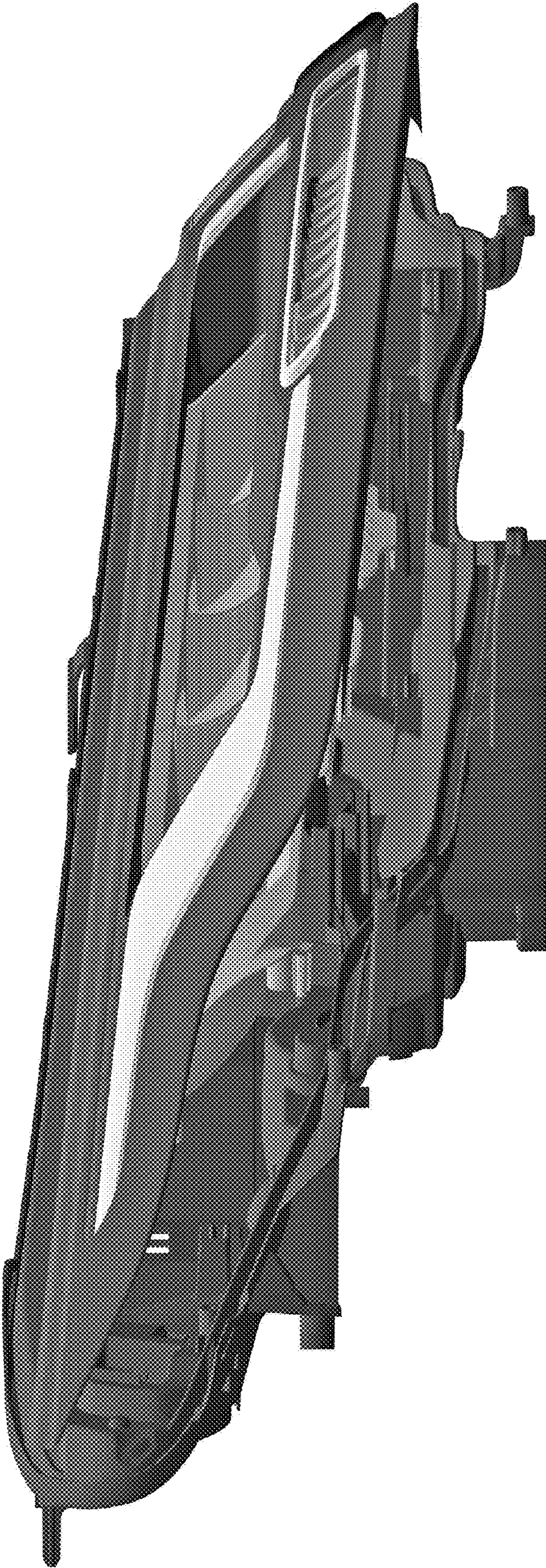


FIG. 7

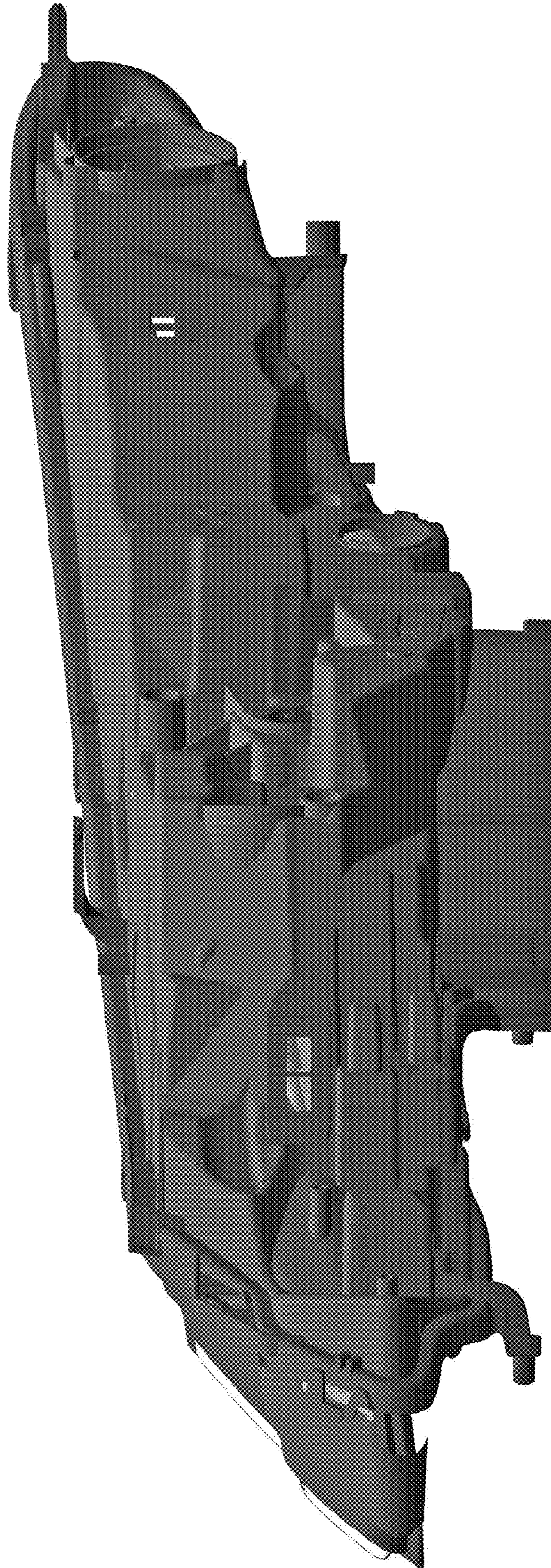


FIG. 8

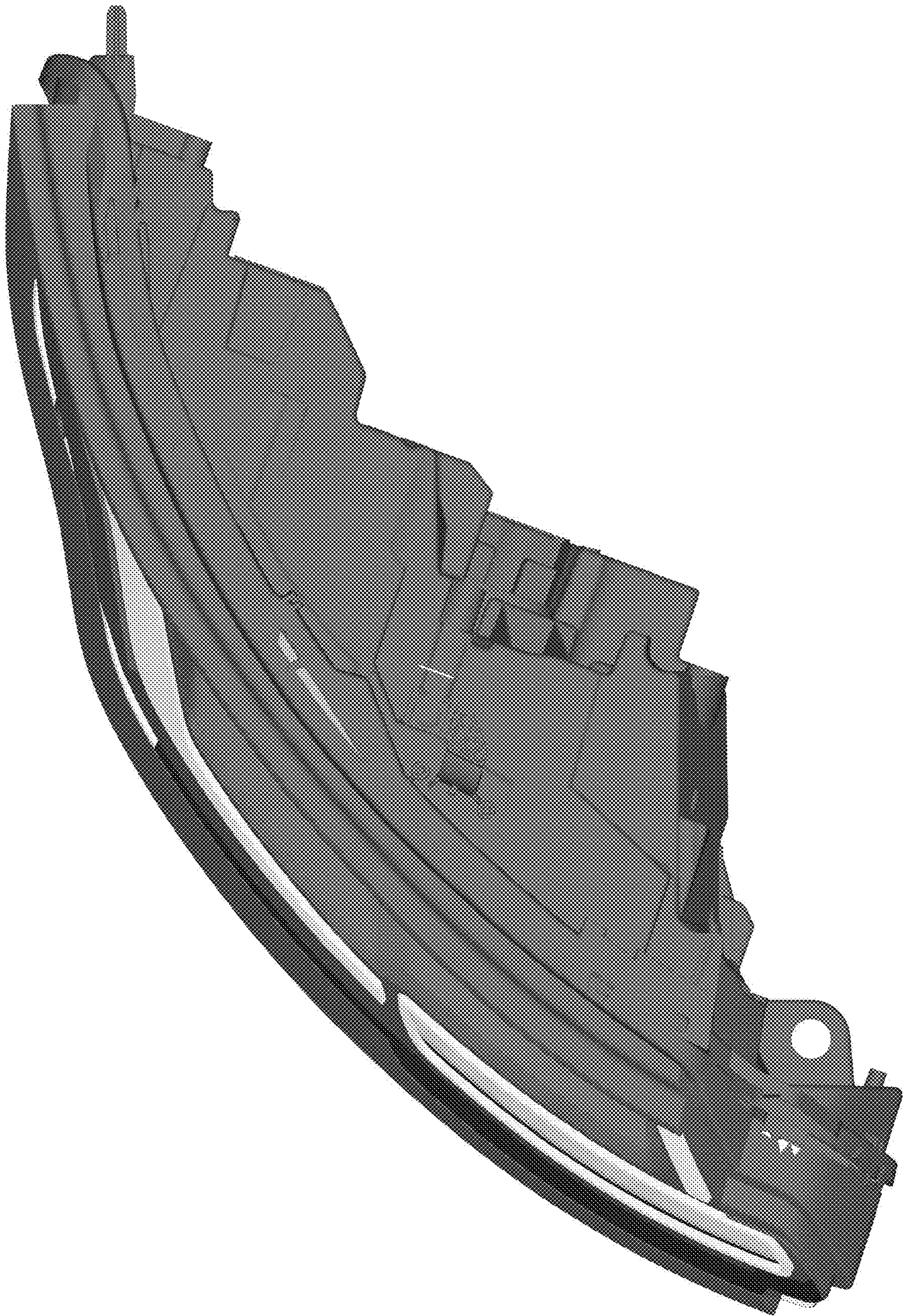


FIG. 9

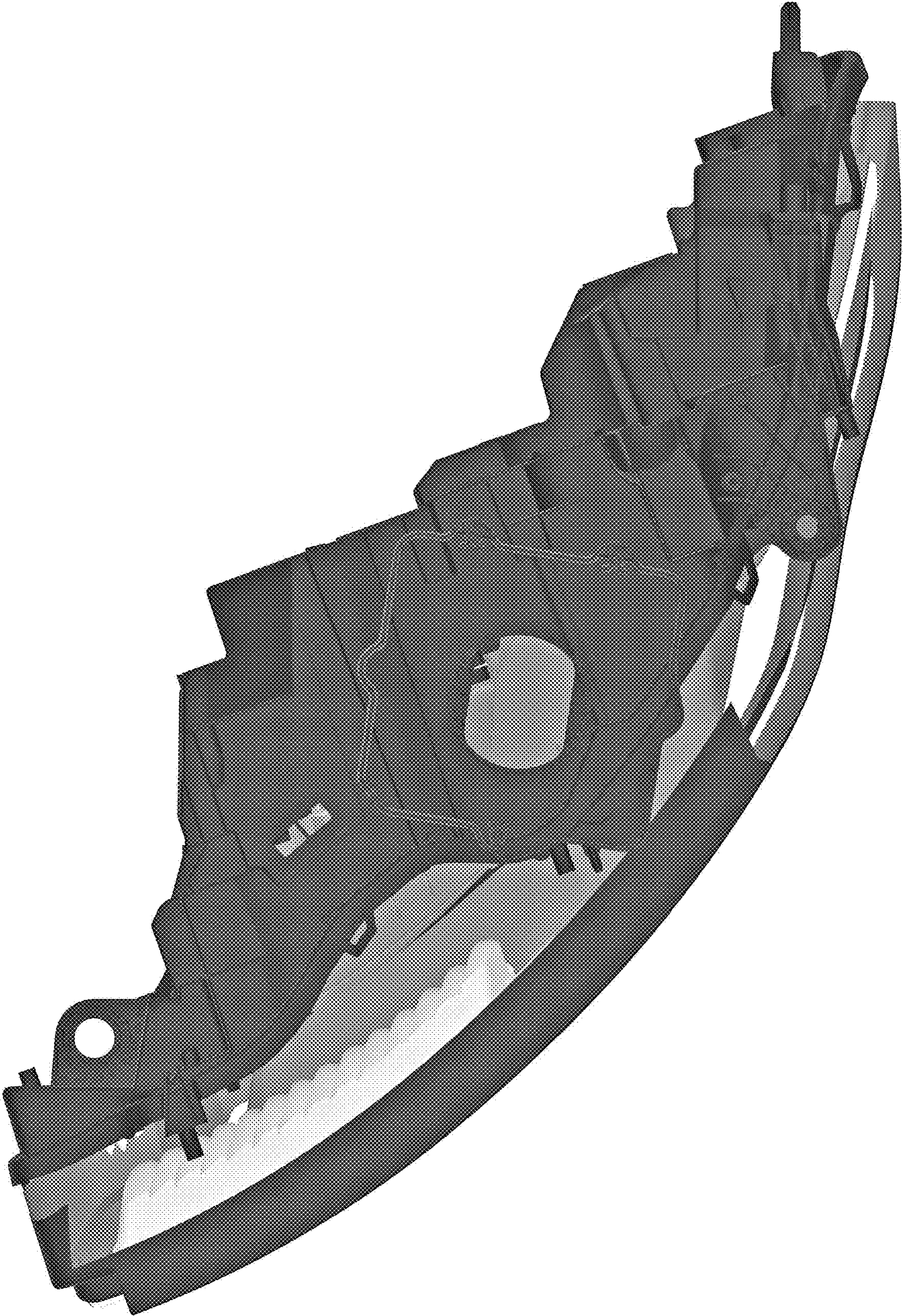


FIG. 10

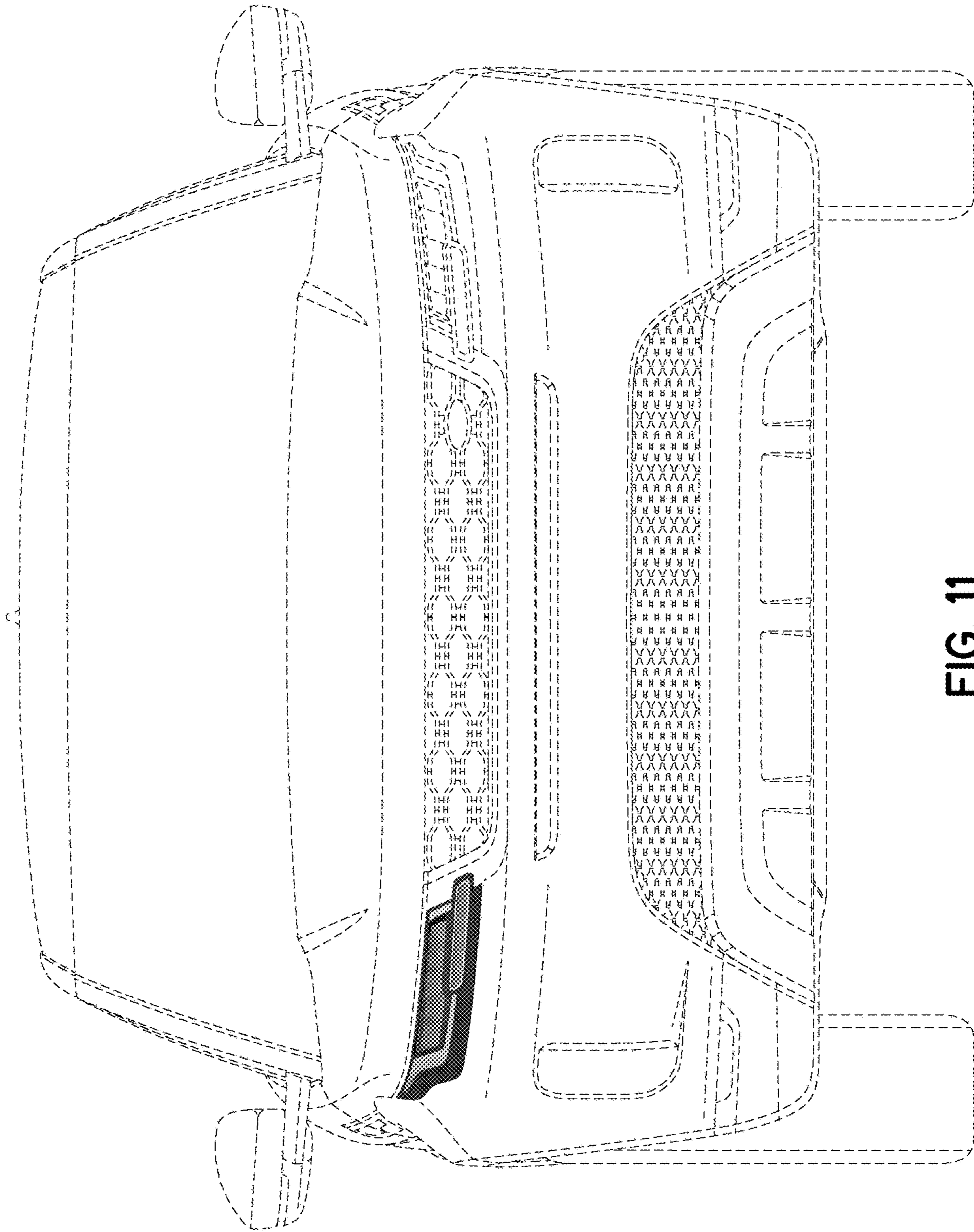


FIG. 11