



US00D913539S

(12) **United States Design Patent**
Maxey et al.

(10) **Patent No.:** **US D913,539 S**

(45) **Date of Patent:** **** Mar. 16, 2021**

(54) **LIGHT FIXTURE**

(74) *Attorney, Agent, or Firm* — Calfee, Halter & Griswold LLP

(71) Applicant: **JST Performance, LLC**, Gilbert, AZ (US)

(72) Inventors: **Steven S. Maxey**, Gilbert, AZ (US);
Pete D. Sibitzky, Lakeside, CA (US)

(57) **CLAIM**

(**) Term: **15 Years**

The ornamental design for a light fixture, as shown and described.

(21) Appl. No.: **29/662,585**

(22) Filed: **Sep. 6, 2018**

DESCRIPTION

(51) **LOC (13) Cl.** **26-06**

(52) **U.S. Cl.**

USPC **D26/28**

(58) **Field of Classification Search**

USPC D26/28–36, 139

CPC F21S 48/00; F21S 48/10; F21S 48/115;
F21S 48/225; F21S 48/1233; F21S 48/1266; F21S 48/1388; F21S 48/2268;
F21V 21/04; F21V 29/004; B60Q 9/13;
B60Q 9/135; B60Q 9/1375

See application file for complete search history.

FIG. 1 is a front, top, right, perspective view of a light fixture showing our new design;

FIG. 2 is a front, top, left, perspective view thereof;

FIG. 3 is a front, bottom, right, perspective view thereof;

FIG. 4 is a front, bottom, left, perspective view thereof;

FIG. 5 is a back, top, right, perspective view thereof;

FIG. 6 is a back, top, left, perspective view thereof;

FIG. 7 is a back, bottom, right, perspective view thereof;

FIG. 8 is a back, bottom, left perspective view thereof;

FIG. 9 is a front side view thereof;

FIG. 10 is a back side view thereof;

FIG. 11 is a right side view thereof;

FIG. 12 is a left side view thereof;

FIG. 13 is a top view thereof; and,

FIG. 14 is a bottom view thereof.

The broken lines in the drawings illustrate portions of the light fixture which form no part of the claimed design.

(56) **References Cited**

U.S. PATENT DOCUMENTS

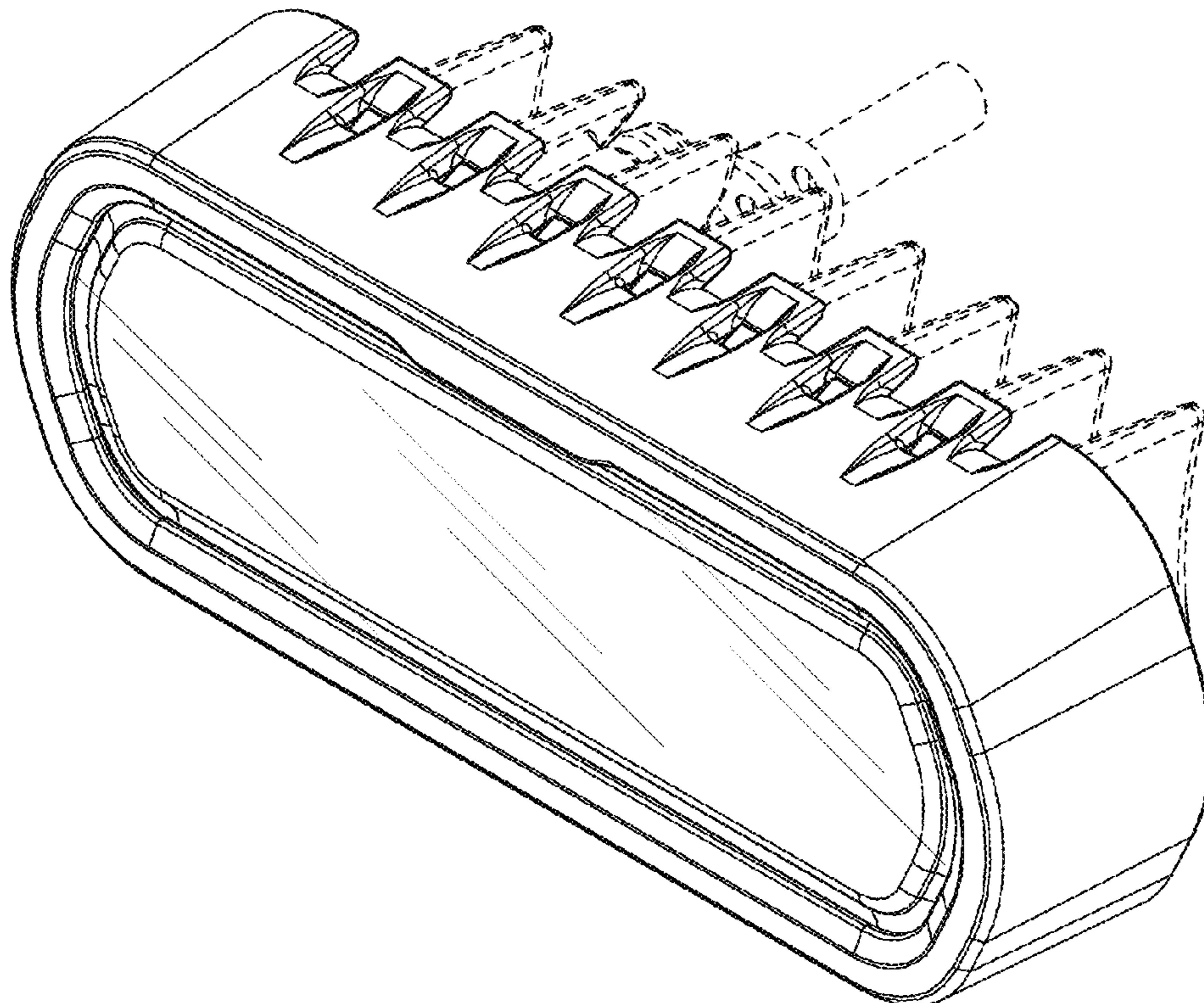
D411,635 S * 6/1999 Phlipot D26/28

D498,549 S * 11/2004 Campagna D26/28

* cited by examiner

Primary Examiner — Marcus A Jackson

1 Claim, 14 Drawing Sheets



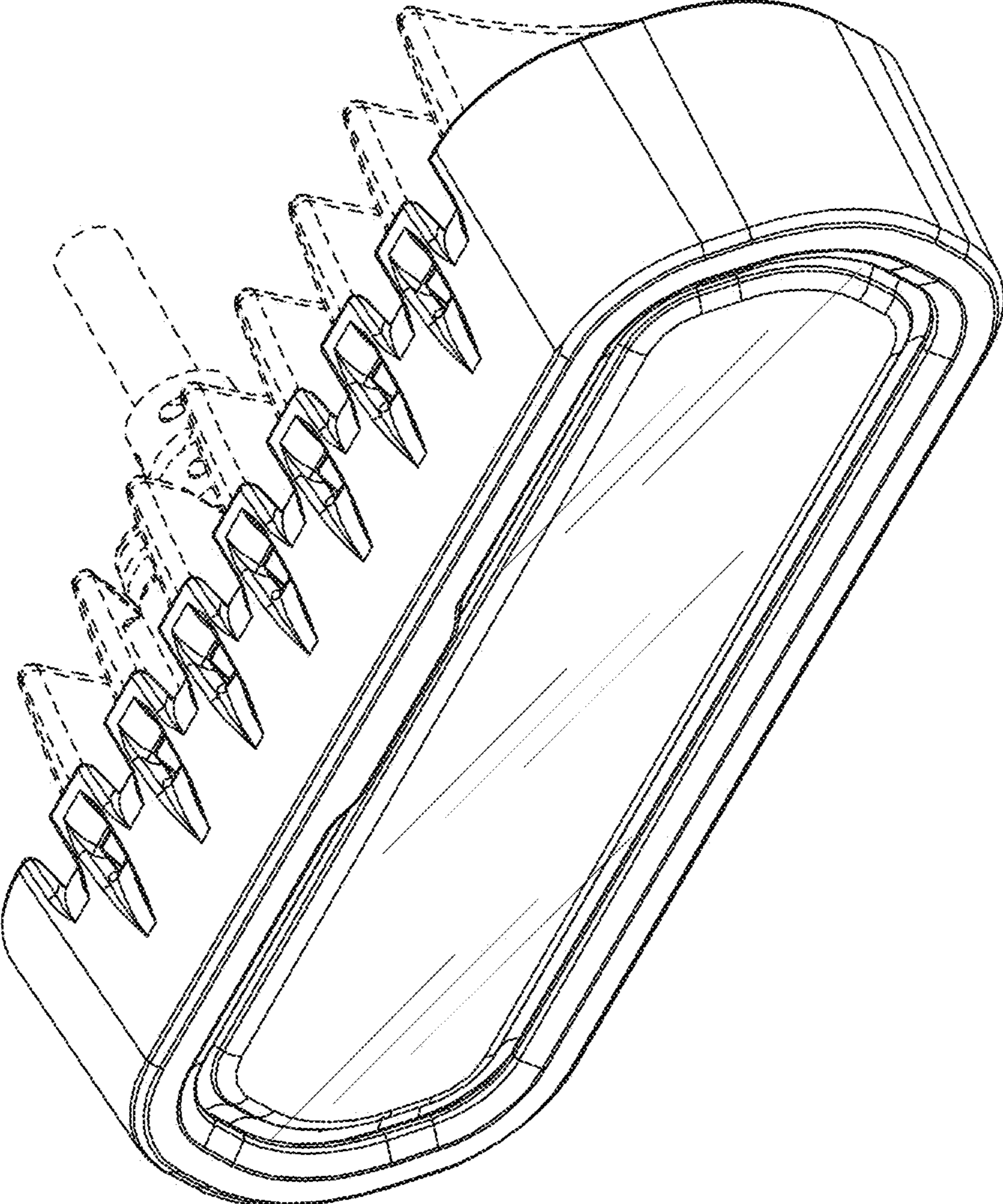


FIG. 1

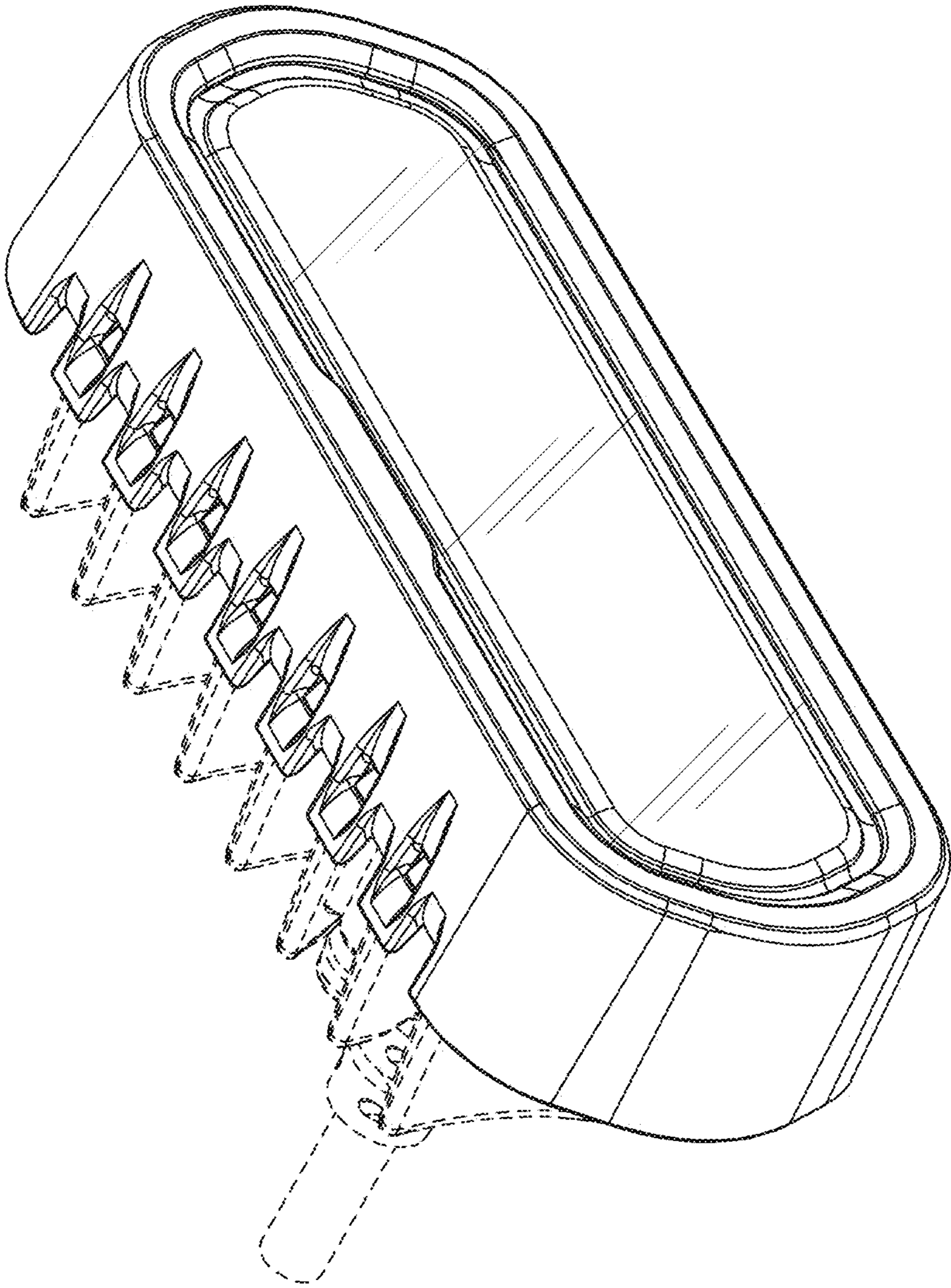


FIG. 2

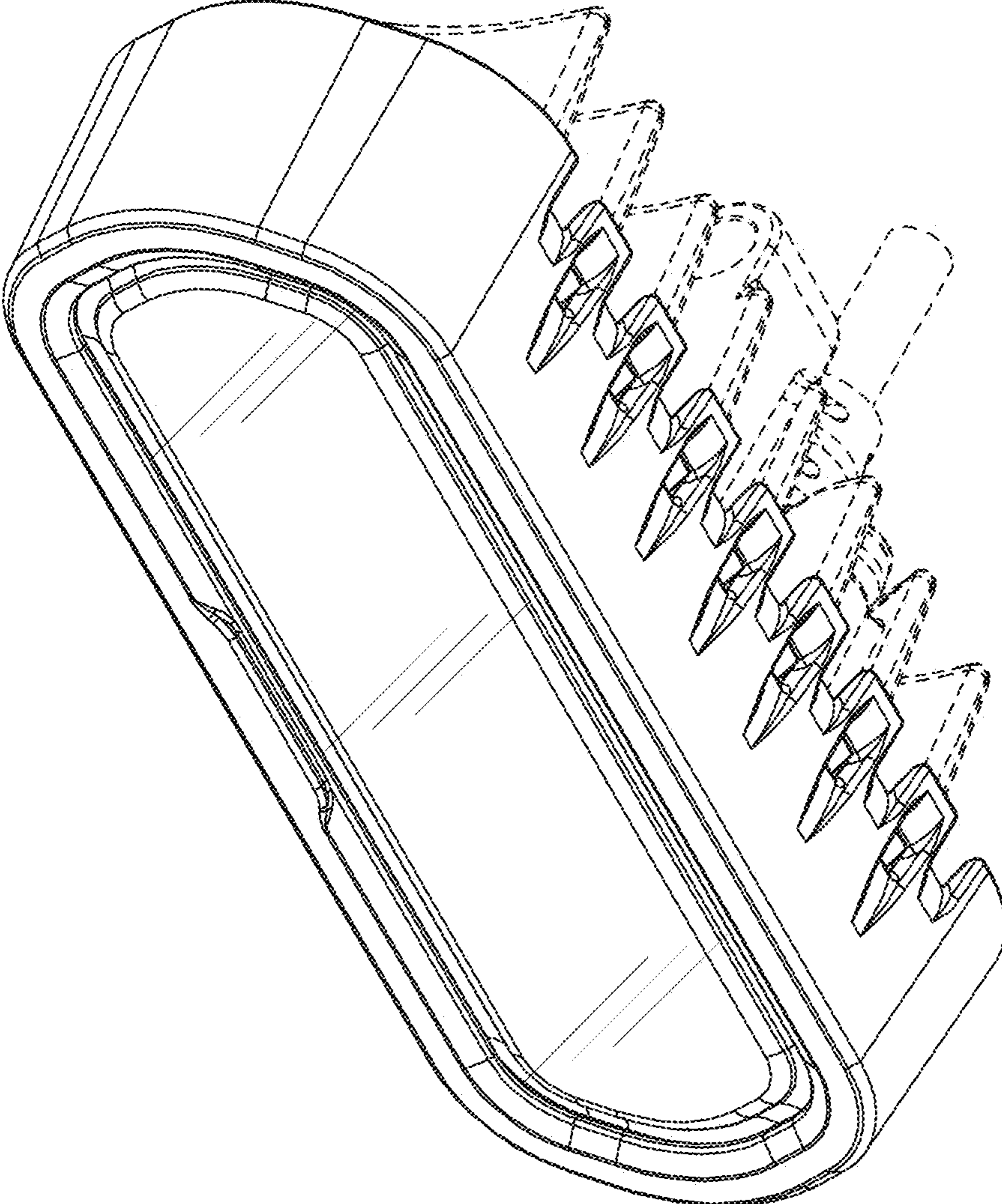


FIG. 3

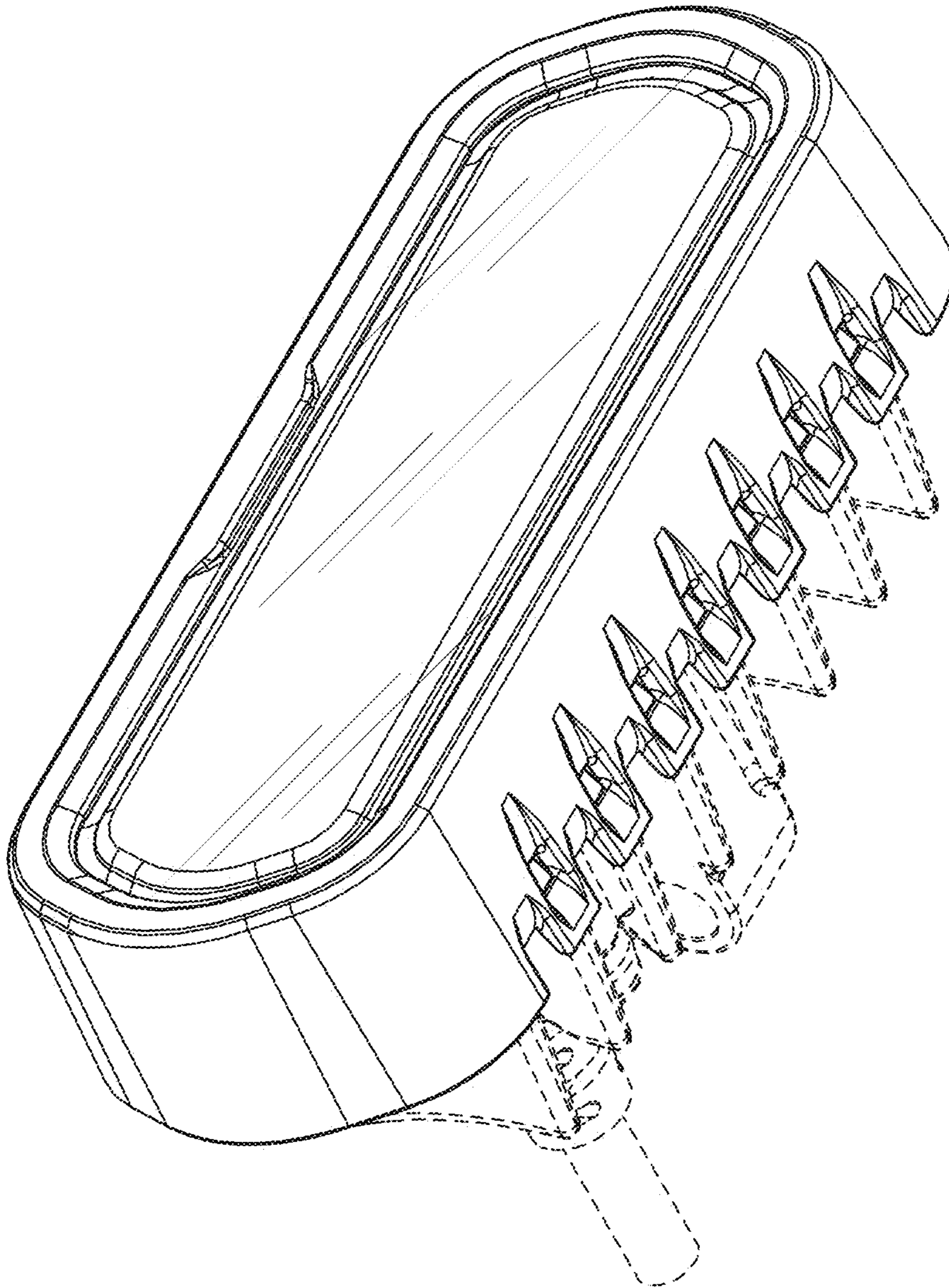


FIG. 4

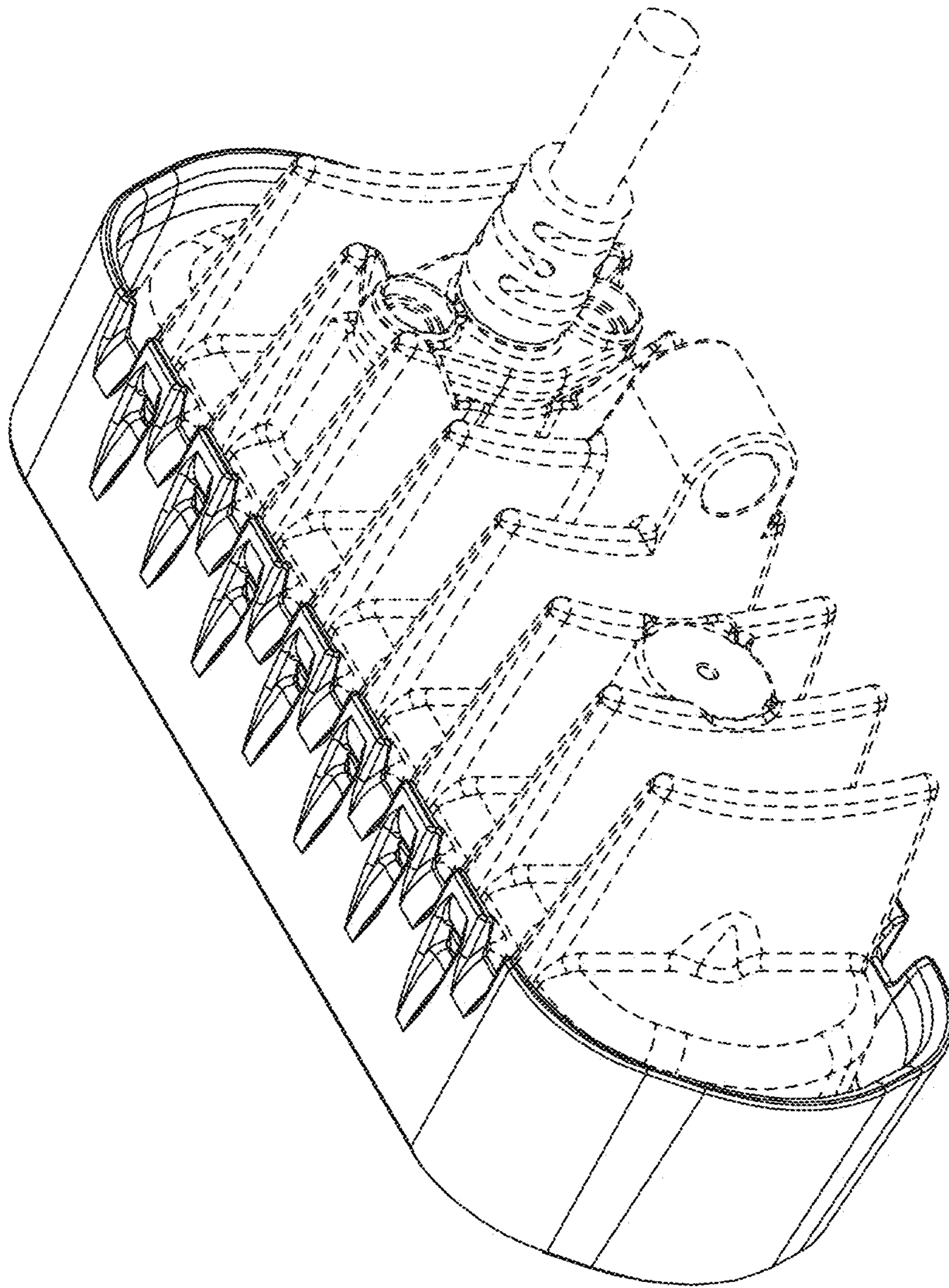


FIG. 5

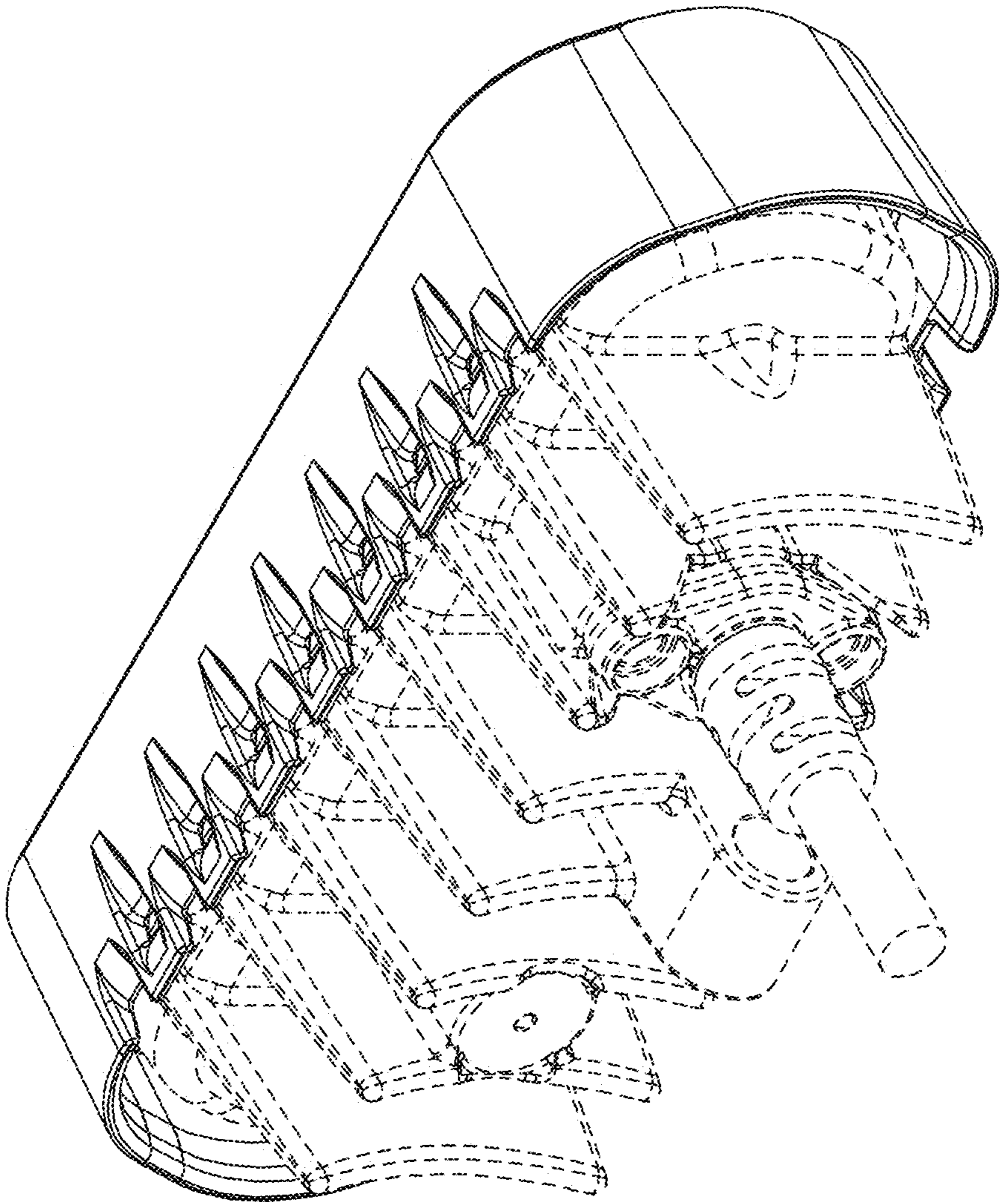


FIG. 6

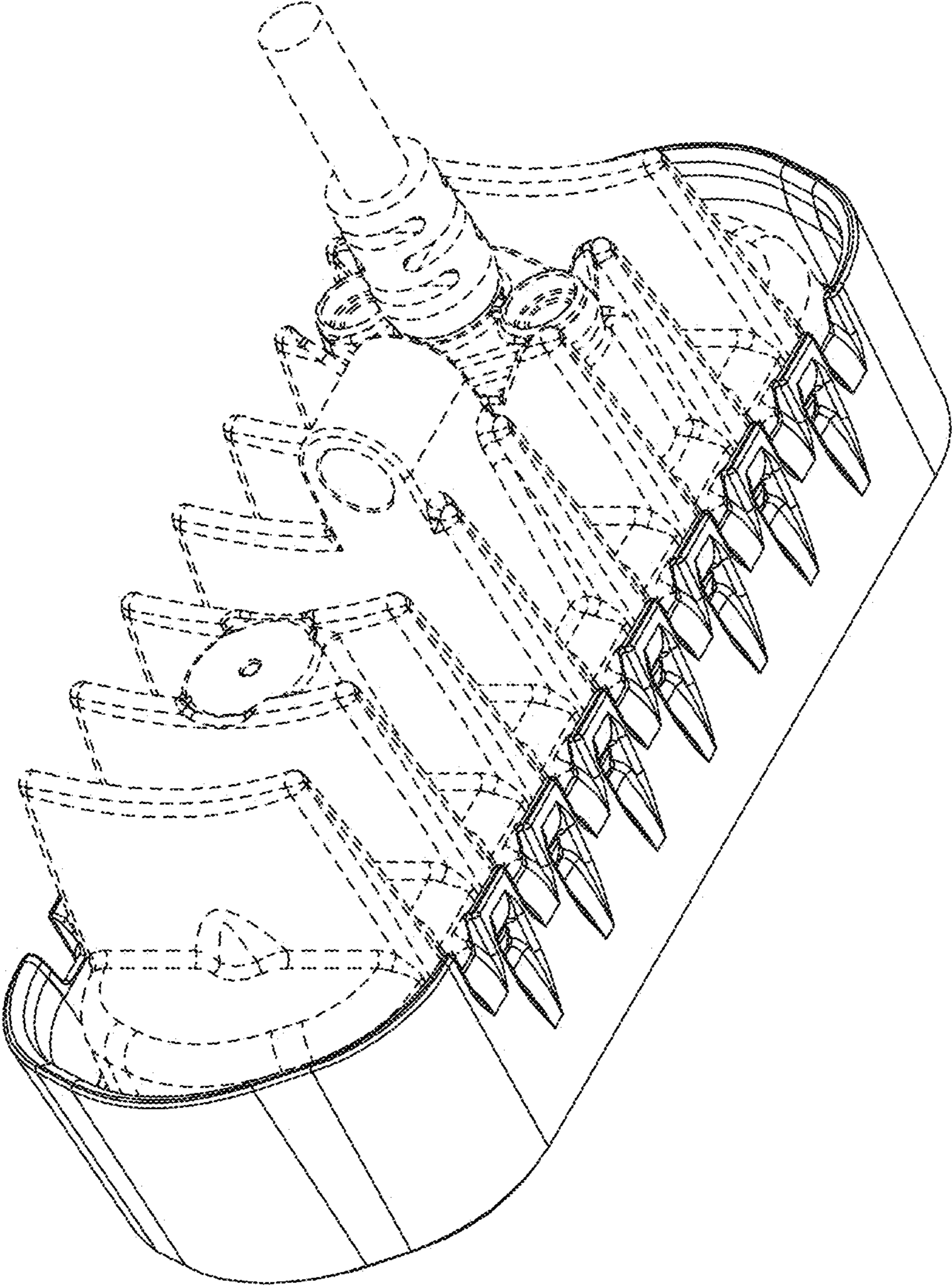


FIG. 7

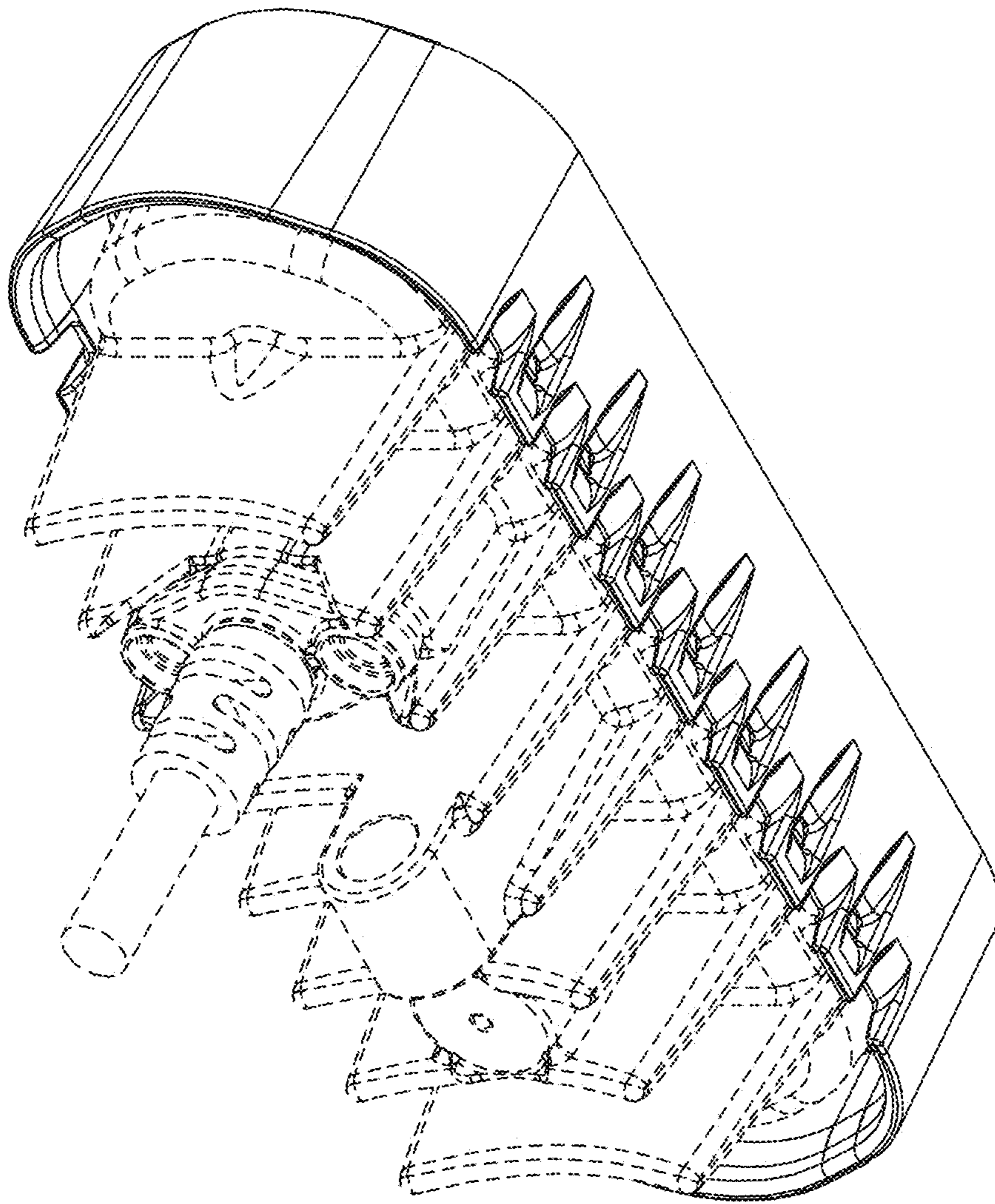


FIG. 8

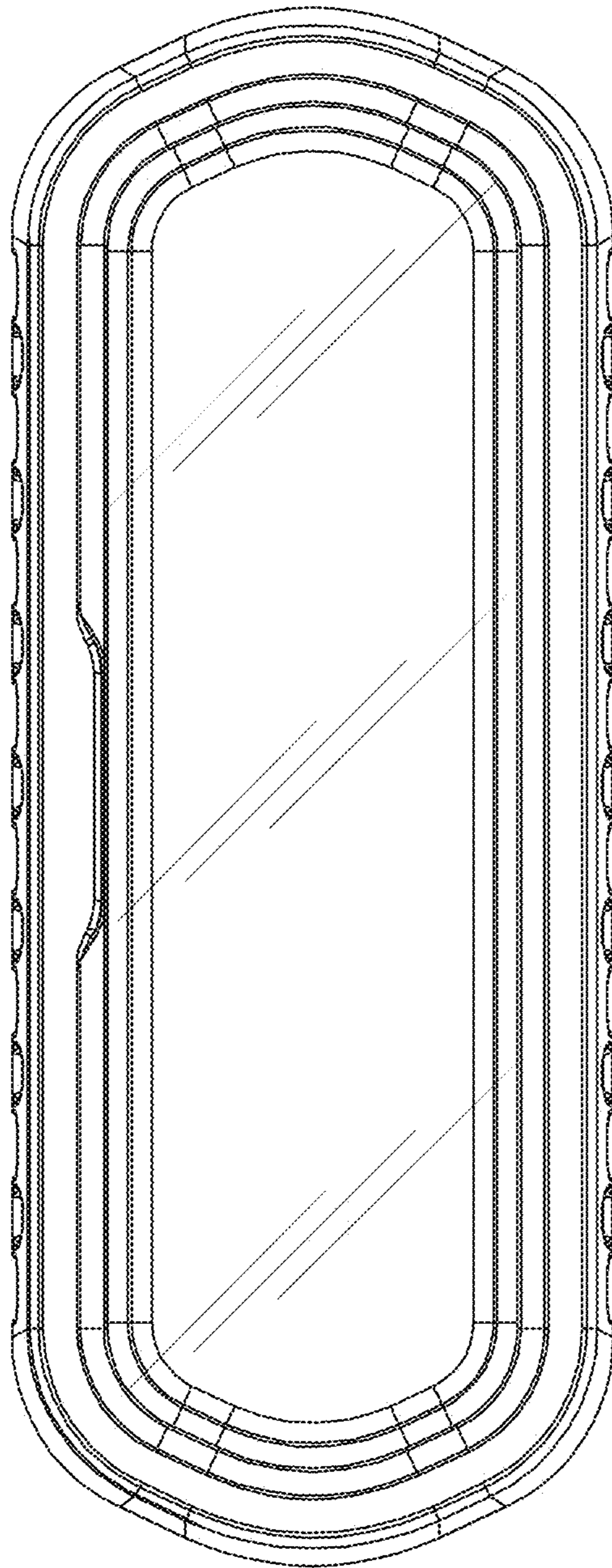


FIG. 9

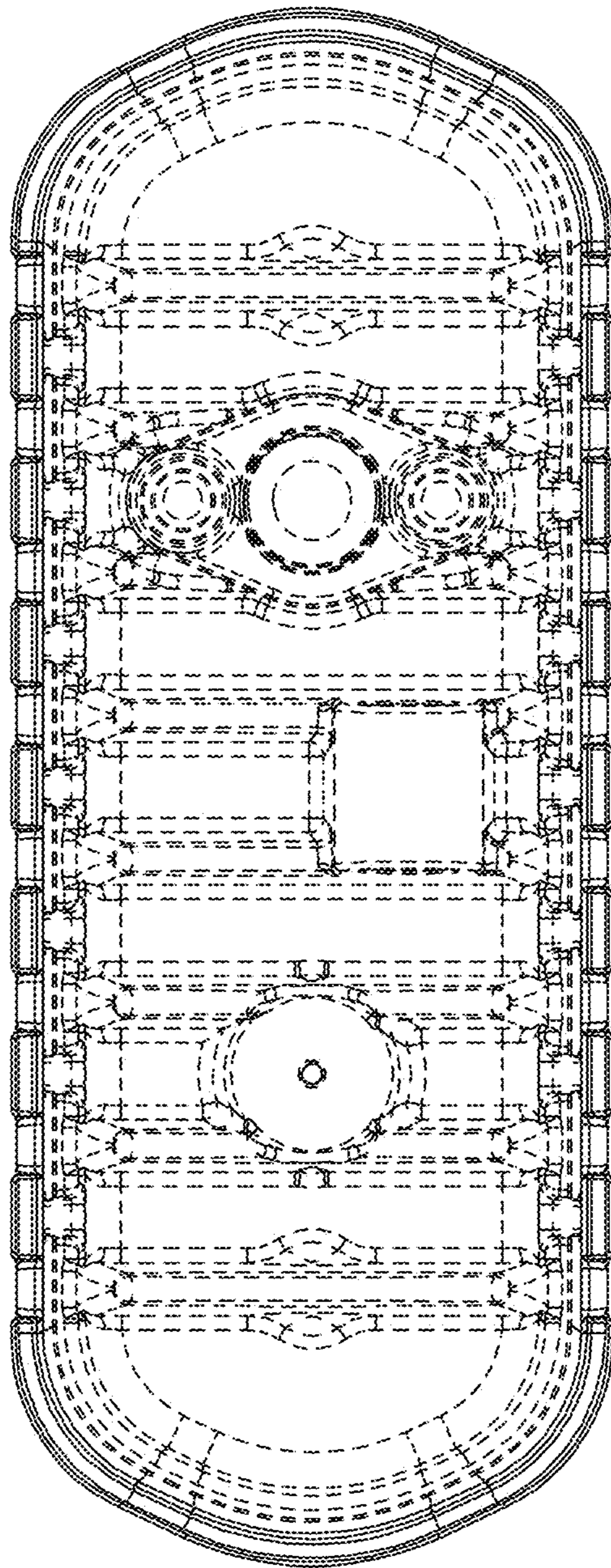


FIG. 10

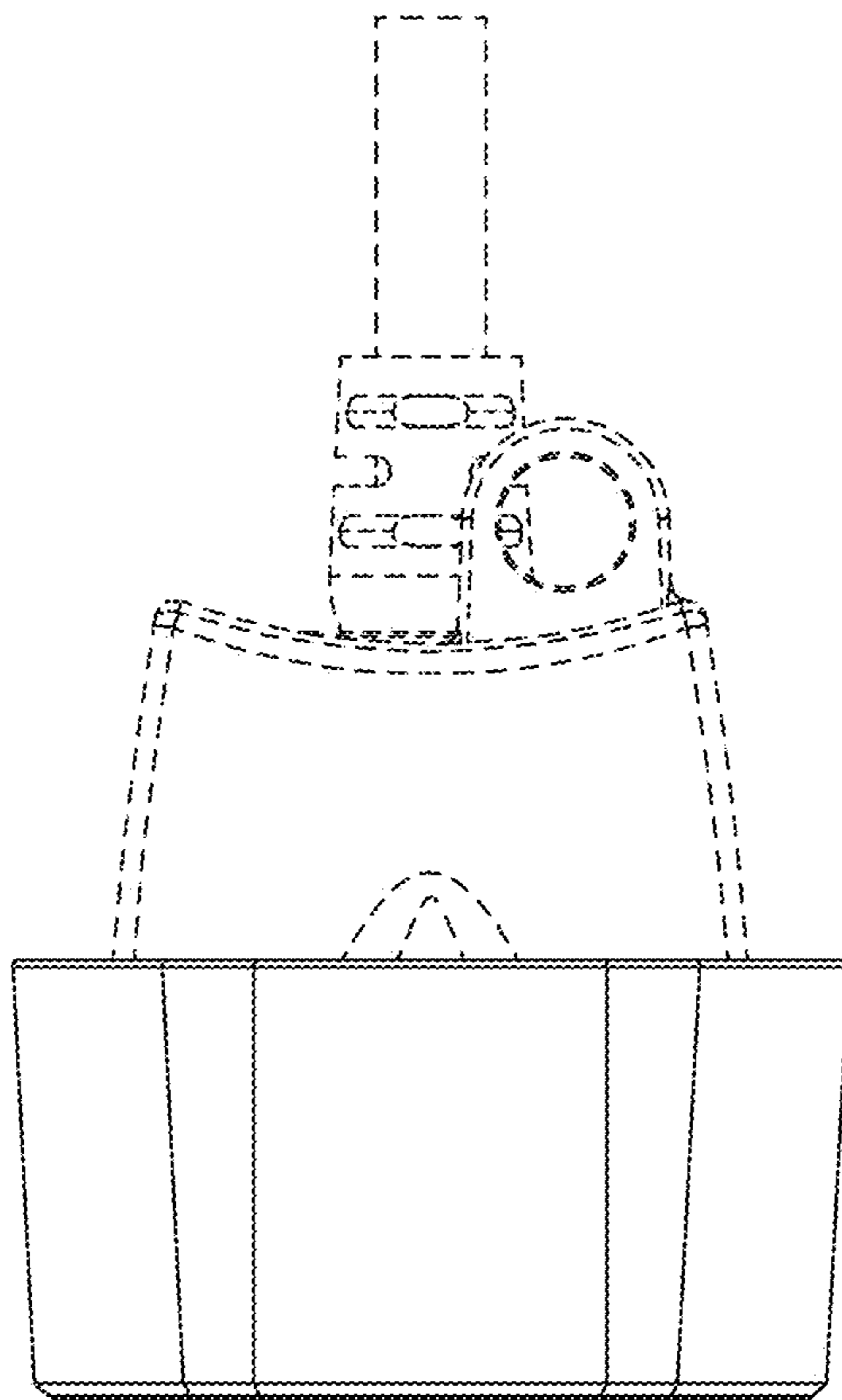


FIG. 11

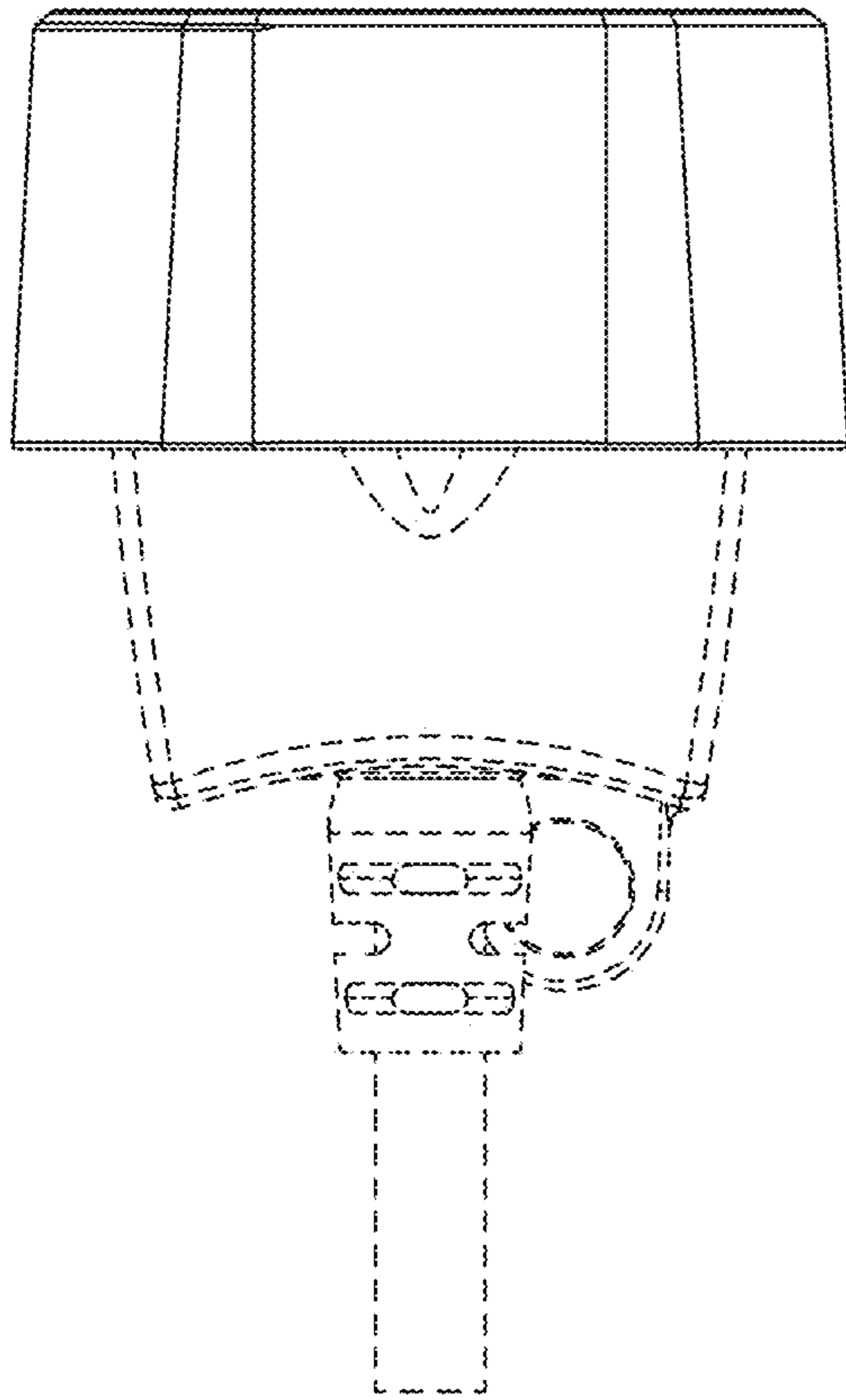


FIG. 12

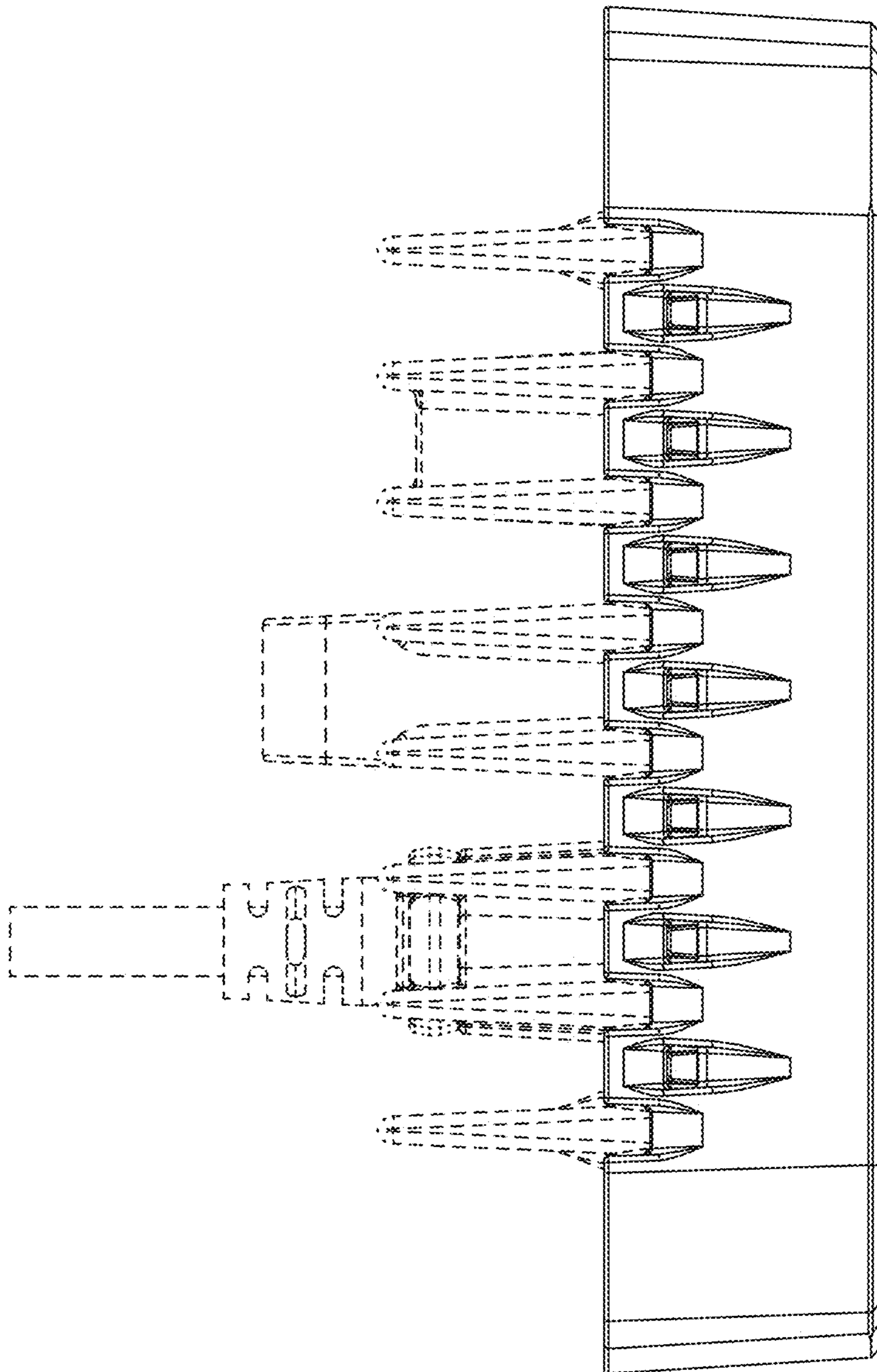


FIG. 13

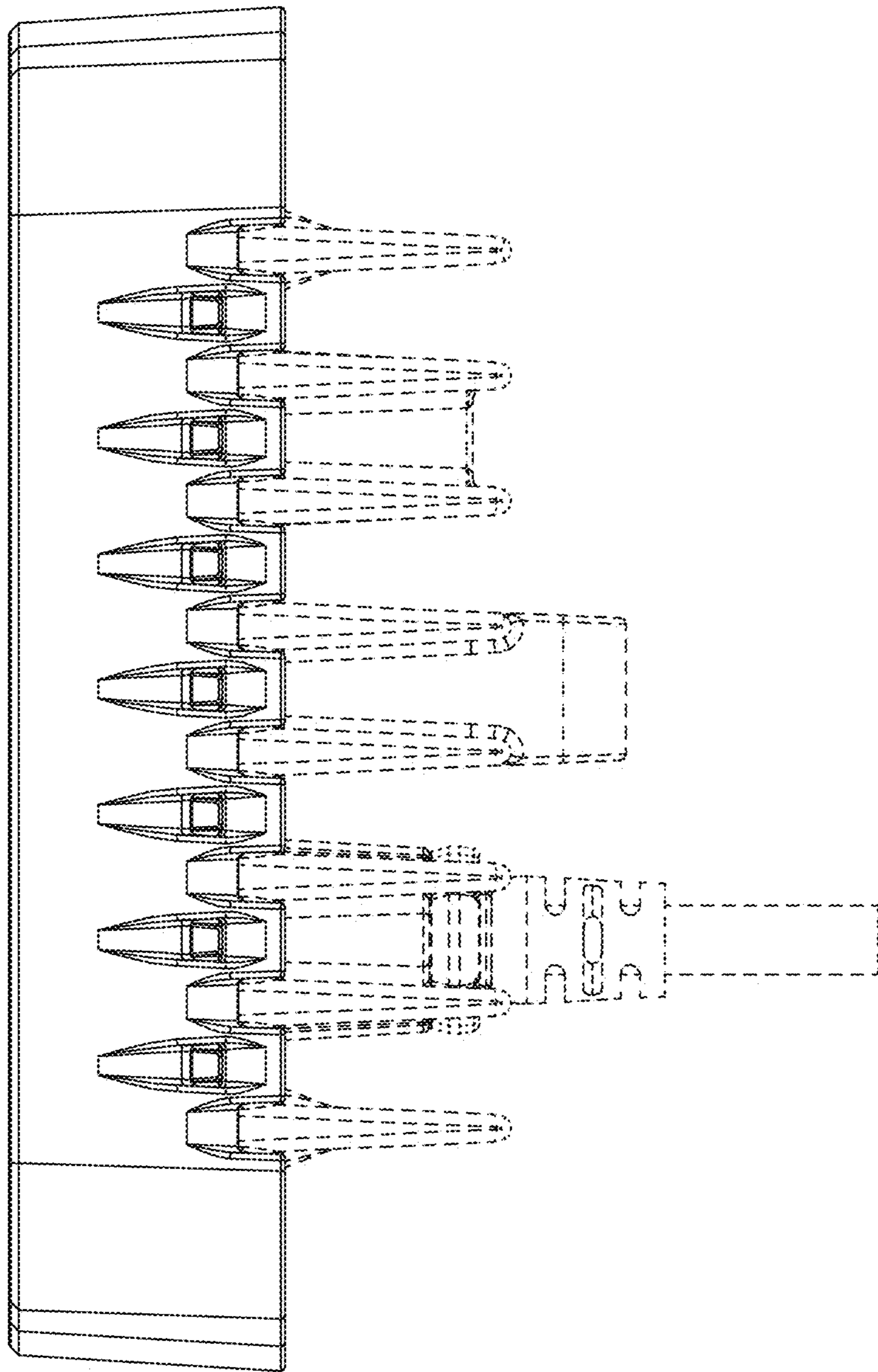


FIG. 14