



US00D913538S

(12) **United States Design Patent** (10) **Patent No.:** **US D913,538 S**
Zhang (45) **Date of Patent:** **** Mar. 16, 2021**

(54) **CAR LIGHT BULB**
(71) Applicant: **Jianlong Zhang**, Guangdong (CN)
(72) Inventor: **Jianlong Zhang**, Guangdong (CN)
(**) Term: **15 Years**
(21) Appl. No.: **29/623,804**
(22) Filed: **Oct. 27, 2017**
(51) **LOC (13) Cl.** **26-06**
(52) **U.S. Cl.**
USPC **D26/28**
(58) **Field of Classification Search**
USPC D12/86, 90-92, 114, 163, 169, 171-173,
D12/181, 190, 196, 197, 199, 400;
D26/28-36
CPC B62J 6/02; B62J 6/00; F21S 48/00; F21S
48/10; F21S 48/115; F21S 48/225; F21S
48/1233; F21S 48/1266; F21S 48/1388;
F21S 48/2268; F21S 4/00; F21S 8/00;
F21V 21/04; B60Q 3/0279; B60Q 3/02;
B60Q 1/04; B60Q 1/0408; B60Q 1/0466;
B60Q 1/2653
See application file for complete search history.

2014/0328079 A1* 11/2014 Itagaki F21V 29/80
362/547
2015/0055364 A1* 2/2015 Kosugi F21S 45/48
362/551
2015/0308646 A1* 10/2015 Chen F21S 41/663
362/545

OTHER PUBLICATIONS

Amazon | Headlight Motorcycle Headlights Adjustable Fighter, posted on Nov. 13, 2018, © 1996-2020 Amazon [online], [site visited Nov. 4, 2020]. Available from Internet, <URL: <https://www.amazon.com/Headlight-Motorcycle-Headlights-Adjustable-Fighter/dp/B07WNN6P9W?th=1/>>.*
LasFit | 2014-2020 Toyota Tundra LED Bulbs H4 Exterior Interior Lights, first reviewed on Feb. 14, 2020, © 2014-2020 5DLIGHT Inc. [online], [site visited Nov. 4, 2020]. Available from Internet, <URL: <https://www.amazon.com/Headlight-Motorcycle-Headlights-Adjustable-Fighter/dp/B07WNN6P9W?th=1/>>.*

* cited by examiner

Primary Examiner — Cary M Robinson
(74) *Attorney, Agent, or Firm* — W&K IP

(57) **CLAIM**

The ornamental design for a car light bulb, as shown and described.

(56) **References Cited**

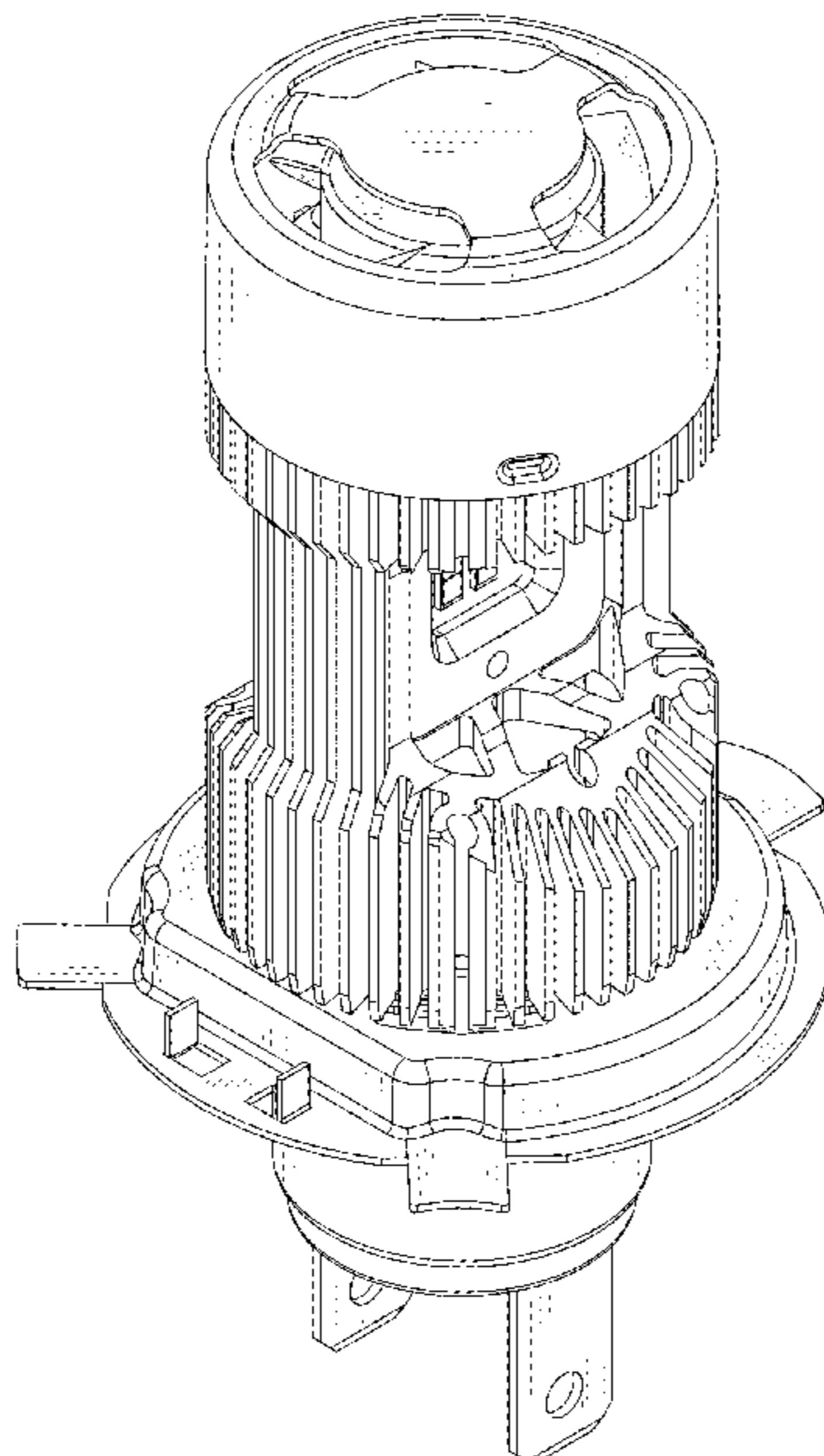
U.S. PATENT DOCUMENTS

D635,600 S * 4/2011 Wu D15/143
D720,483 S * 12/2014 Saddig D26/28
D740,984 S * 10/2015 Chen D26/28
D769,487 S * 10/2016 Ma D26/28
D769,490 S * 10/2016 Ma D26/28
D808,553 S * 1/2018 Shengjin D26/28
D839,937 S * 2/2019 Zhuang D15/143
D841,205 S * 2/2019 Dai D26/28
D846,775 S * 4/2019 Yan D26/28
2012/0140517 A1* 6/2012 Sakamoto F21K 9/61
362/607

DESCRIPTION

FIG. 1 is perspective view of a car light bulb showing my design;
FIG. 2 is a front view thereof;
FIG. 3 is a back view thereof;
FIG. 4 is a left side view thereof;
FIG. 5 is a right side view thereof;
FIG. 6 is a top plan view thereof; and,
FIG. 7 is a bottom plan view thereof.

1 Claim, 7 Drawing Sheets



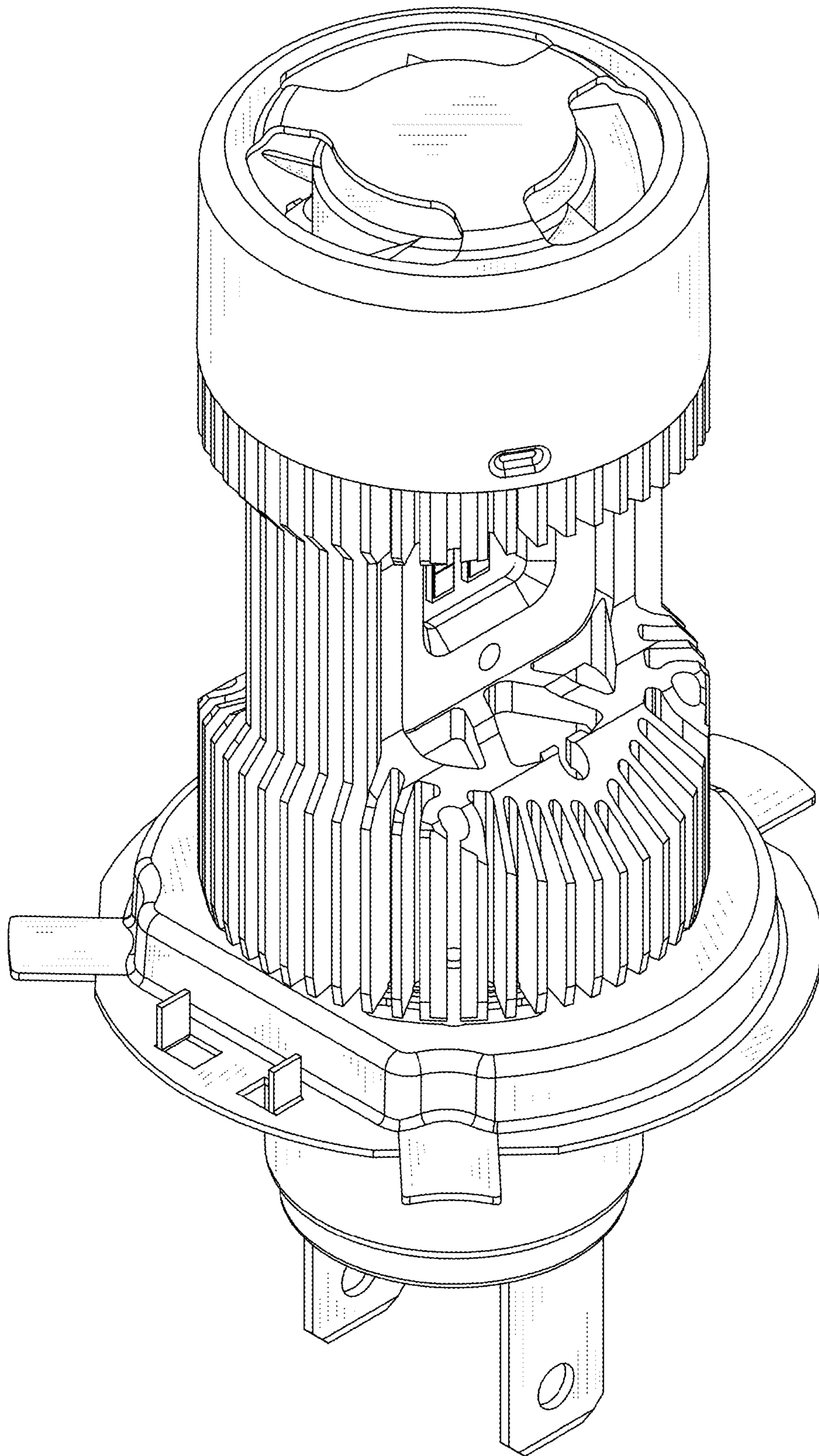


FIG.1

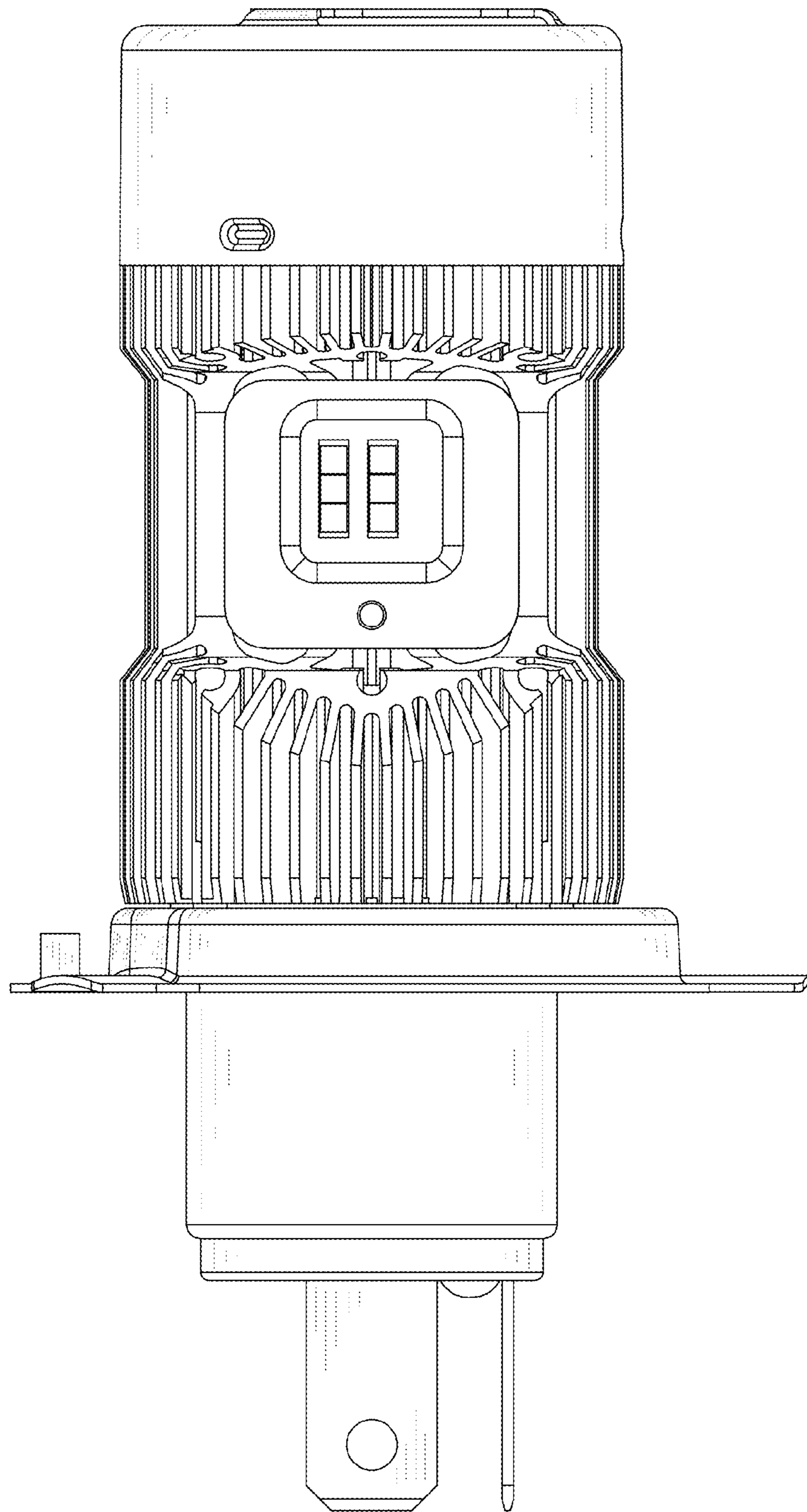


FIG. 2

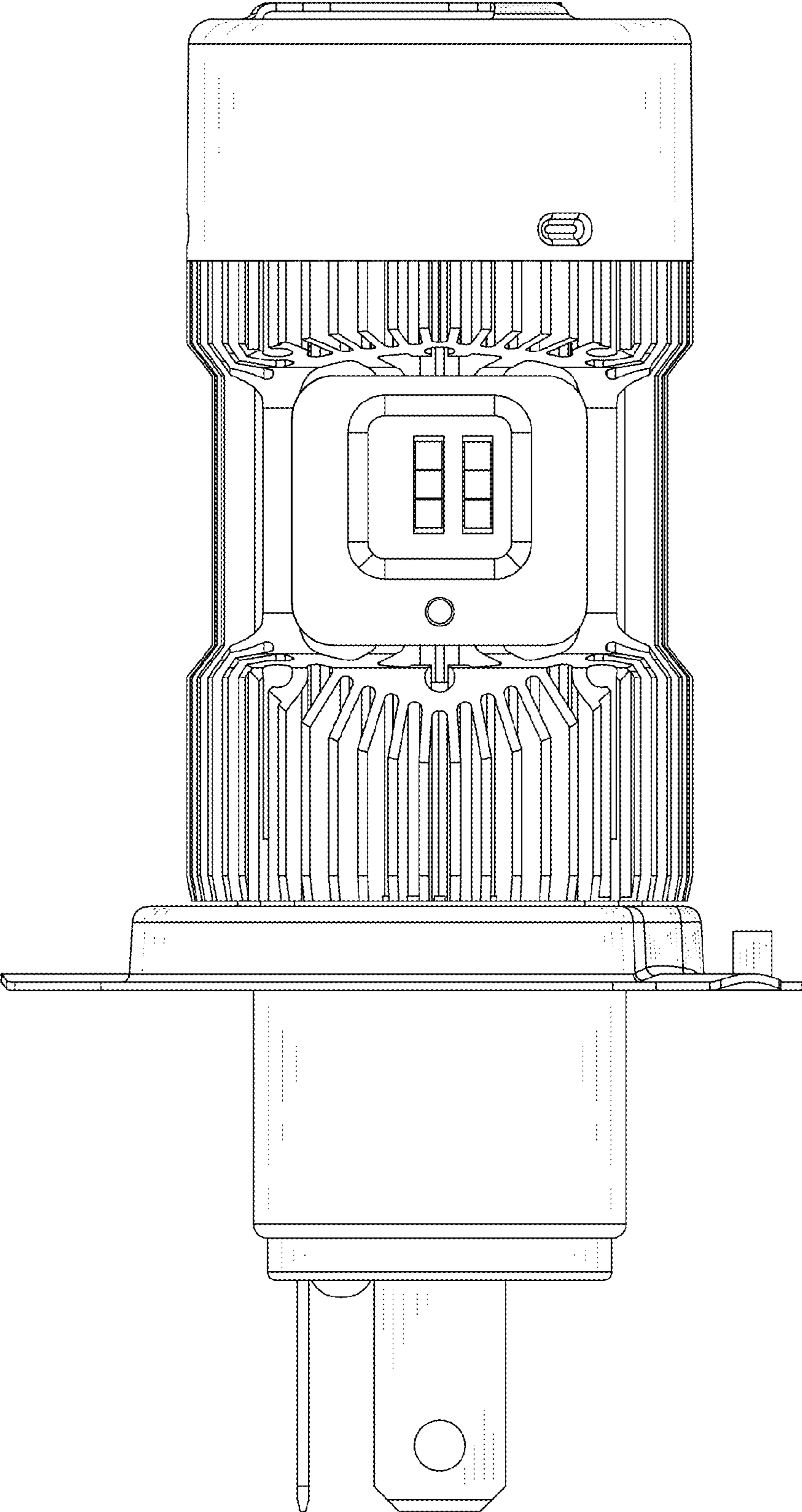


FIG. 3

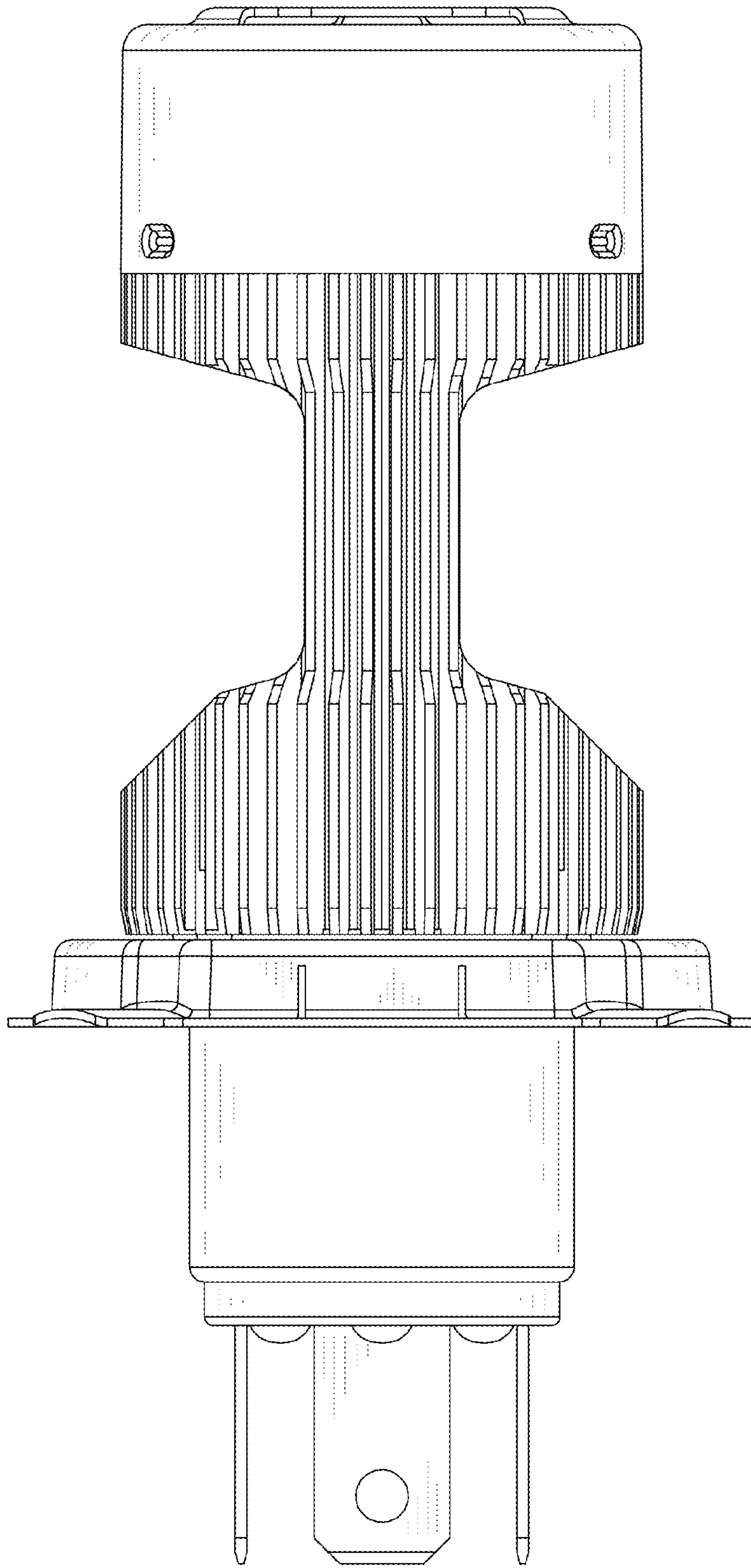


FIG. 4

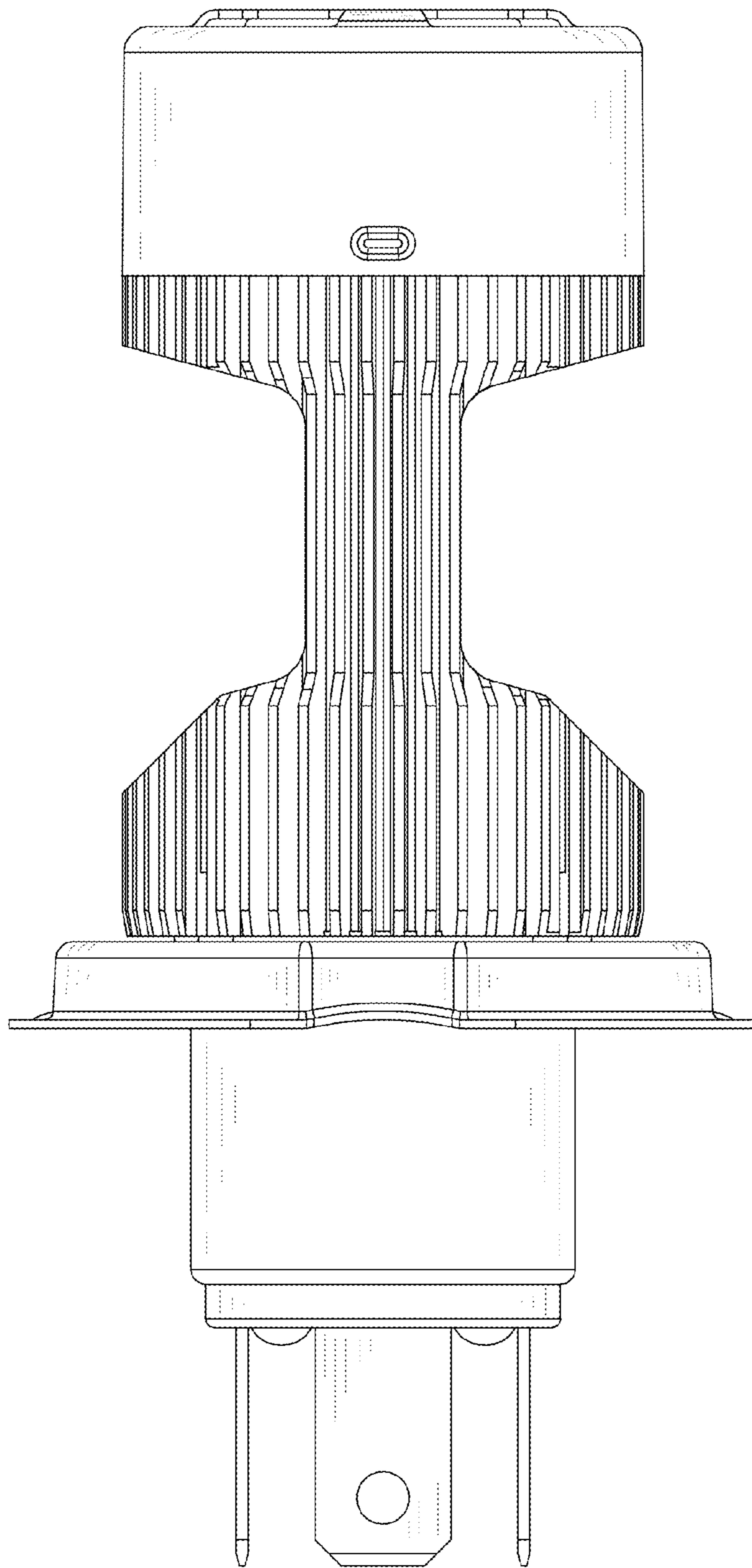


FIG.5

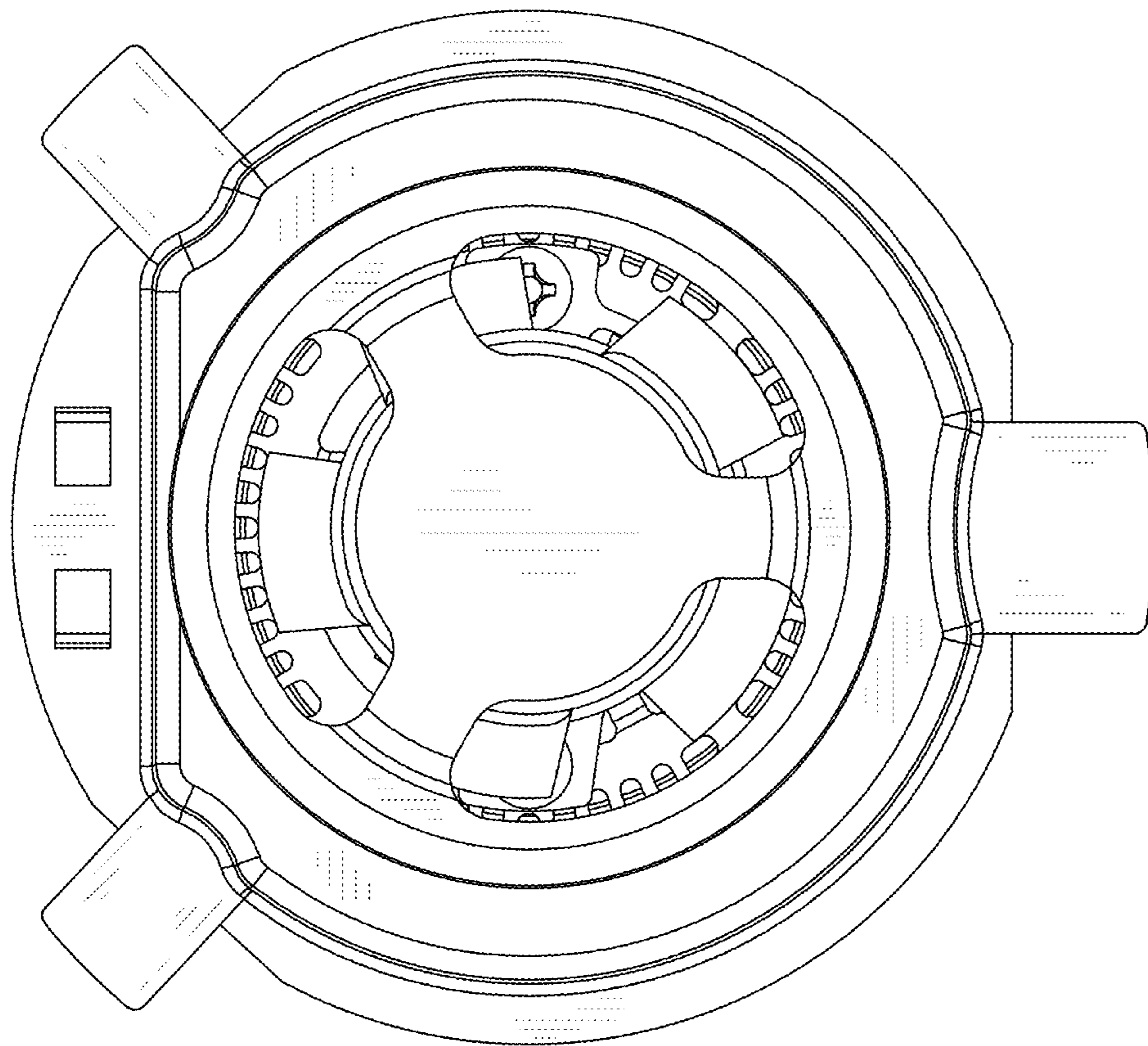


FIG.6

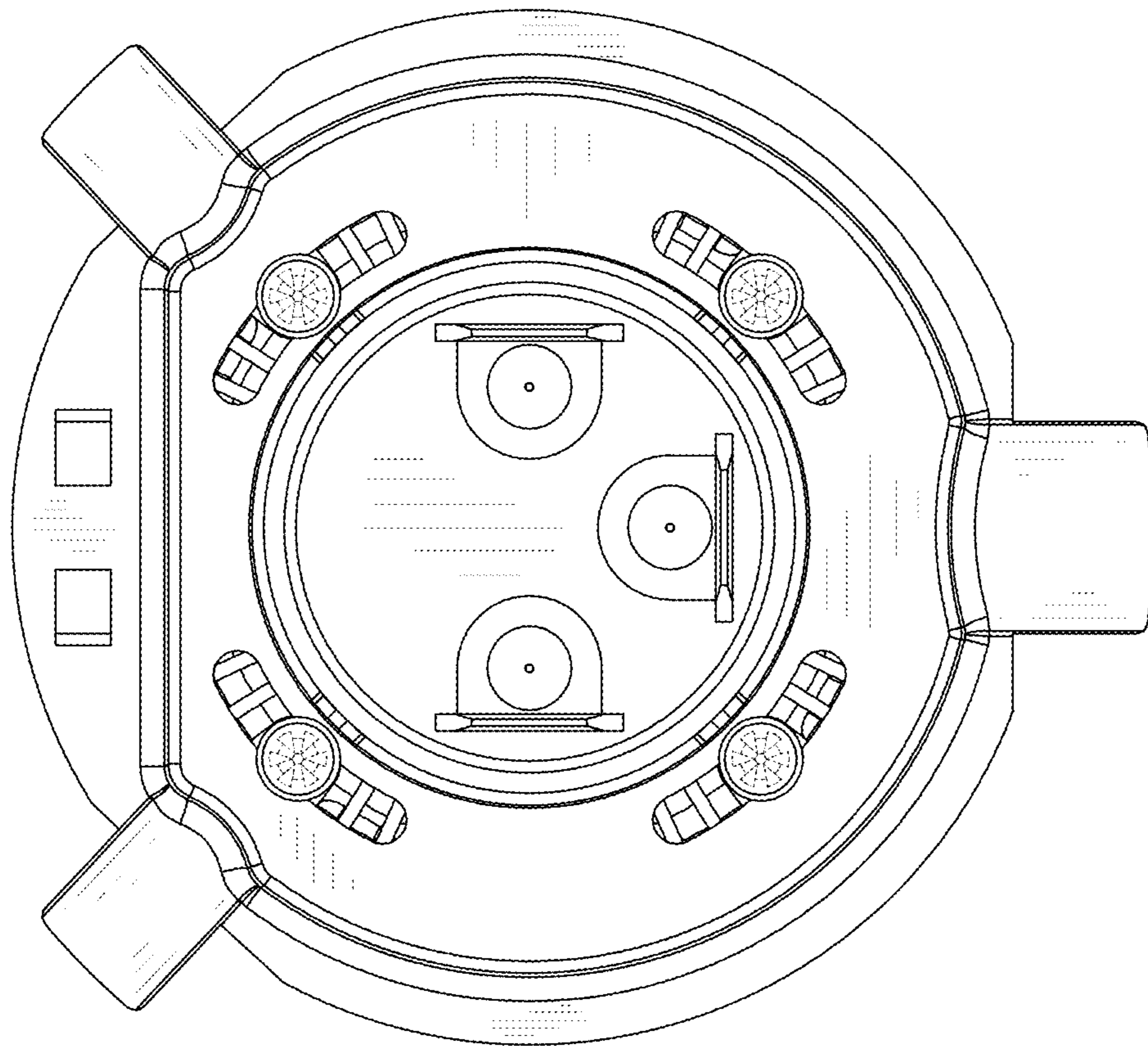


FIG. 7