



US00D913529S

(12) **United States Design Patent**
Marshall et al.

(10) **Patent No.:** **US D913,529 S**

(45) **Date of Patent:** **** Mar. 16, 2021**

(54) **EXTERIOR CLADDING EXTRUSION**

(71) Applicant: **Chelsea Building Products, Inc.**,
Oakmont, PA (US)

(72) Inventors: **Philip Marshall**, Pittsburgh, PA (US);
Eric Stankay, Gibsonia, PA (US);
Byron Vrabel, Cheswick, PA (US)

(73) Assignee: **Chelsea Building Products, Inc.**,
Oakmont, PA (US)

(**) Term: **15 Years**

(21) Appl. No.: **29/674,891**

(22) Filed: **Dec. 27, 2018**

(51) **LOC (13) Cl.** **25-01**

(52) **U.S. Cl.**
USPC **D25/138**

(58) **Field of Classification Search**
USPC D25/119–123, 138–144, 164
CPC E04F 13/00; E04F 13/007; E04F 13/0862;
E04F 13/0864; E04F 13/0867; E04F
19/02
See application file for complete search history.

(56) **References Cited**

U.S. PATENT DOCUMENTS

D321,942 S *	11/1991	Lynn	D25/140
D406,360 S *	3/1999	Finkell, Jr.	D25/138
D526,248 S *	8/2006	Stidham	D25/138
D603,067 S *	10/2009	Krause	D25/139
D604,868 S *	11/2009	Conradi	D25/140
D661,818 S *	6/2012	Hamblin	D25/119
D729,949 S *	5/2015	Hartman	D25/138
D766,460 S *	9/2016	Everhart, II	D25/60

D779,684 S *	2/2017	Mitchell	D25/139
2006/0101768 A1 *	5/2006	Watson	E04F 13/0864 52/578
2013/0160387 A1 *	6/2013	DiLonardo	E04F 13/0864 52/520
2019/0301176 A1 *	10/2019	Shaw	E04F 13/0864

* cited by examiner

Primary Examiner — Llorelys Martinez

(74) *Attorney, Agent, or Firm* — Vorys, Sater, Seymour
and Pease LLP

(57) **CLAIM**

The ornamental design for an exterior cladding extrusion, as shown and described.

DESCRIPTION

FIG. 1 is an isometric view of an exterior cladding extrusion, according to the present disclosure.

FIG. 2 is a top view of the exterior cladding extrusion of FIG. 1.

FIG. 3 is a bottom view of the exterior cladding extrusion of FIG. 1.

FIG. 4 is a front view of the exterior cladding extrusion of FIG. 1.

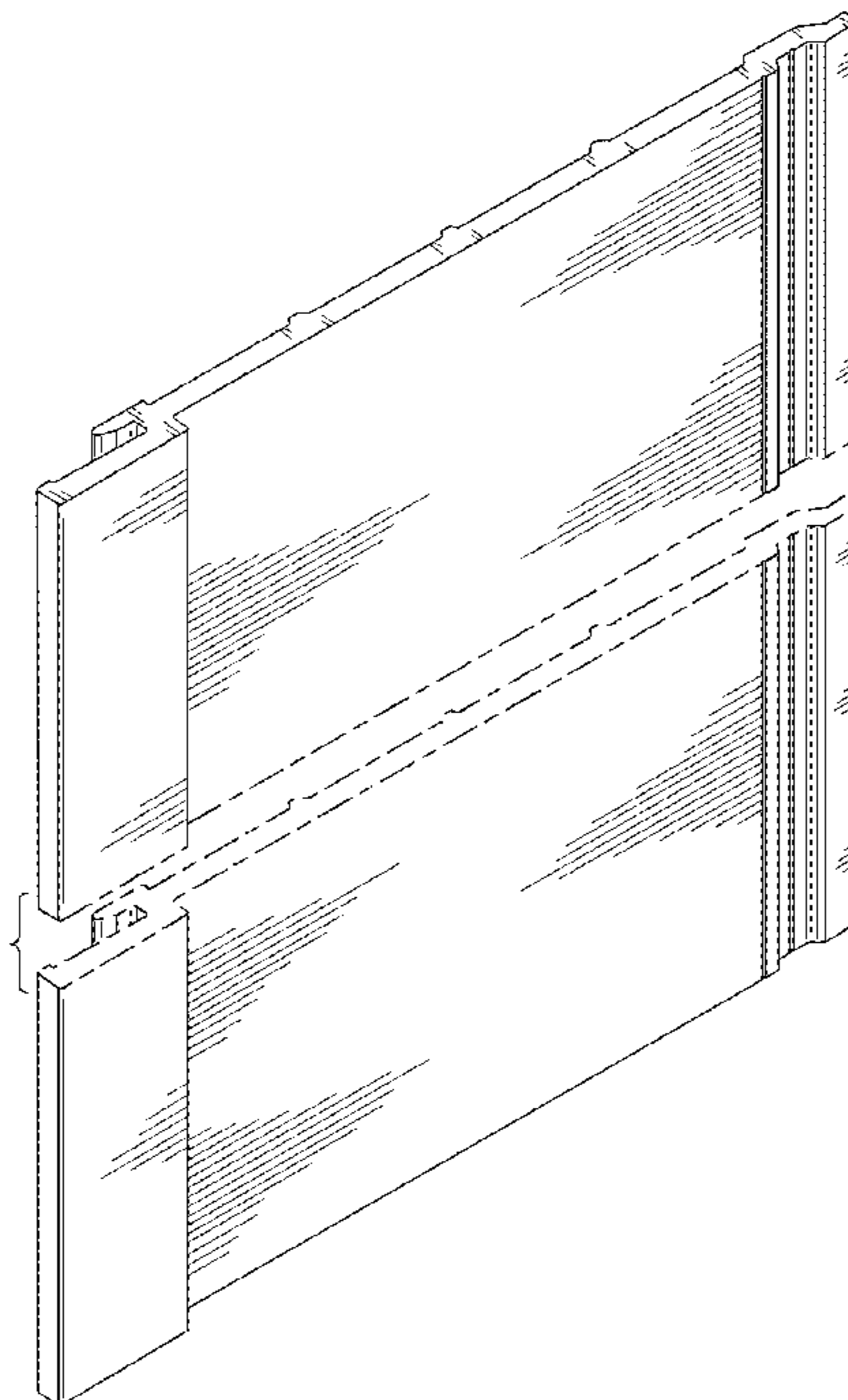
FIG. 5 is a rear view of the exterior cladding extrusion of FIG. 1.

FIG. 6 is a left side view of the exterior cladding extrusion of FIG. 1; and,

FIG. 7 is a right side view of the exterior cladding extrusion of FIG. 1.

The exterior cladding extrusion is shown with two parallel dash-dot break lines that represent the bounds of the claim. The appearance of any portion of the exterior cladding extrusion between the break lines forms no part of the claimed design.

1 Claim, 4 Drawing Sheets



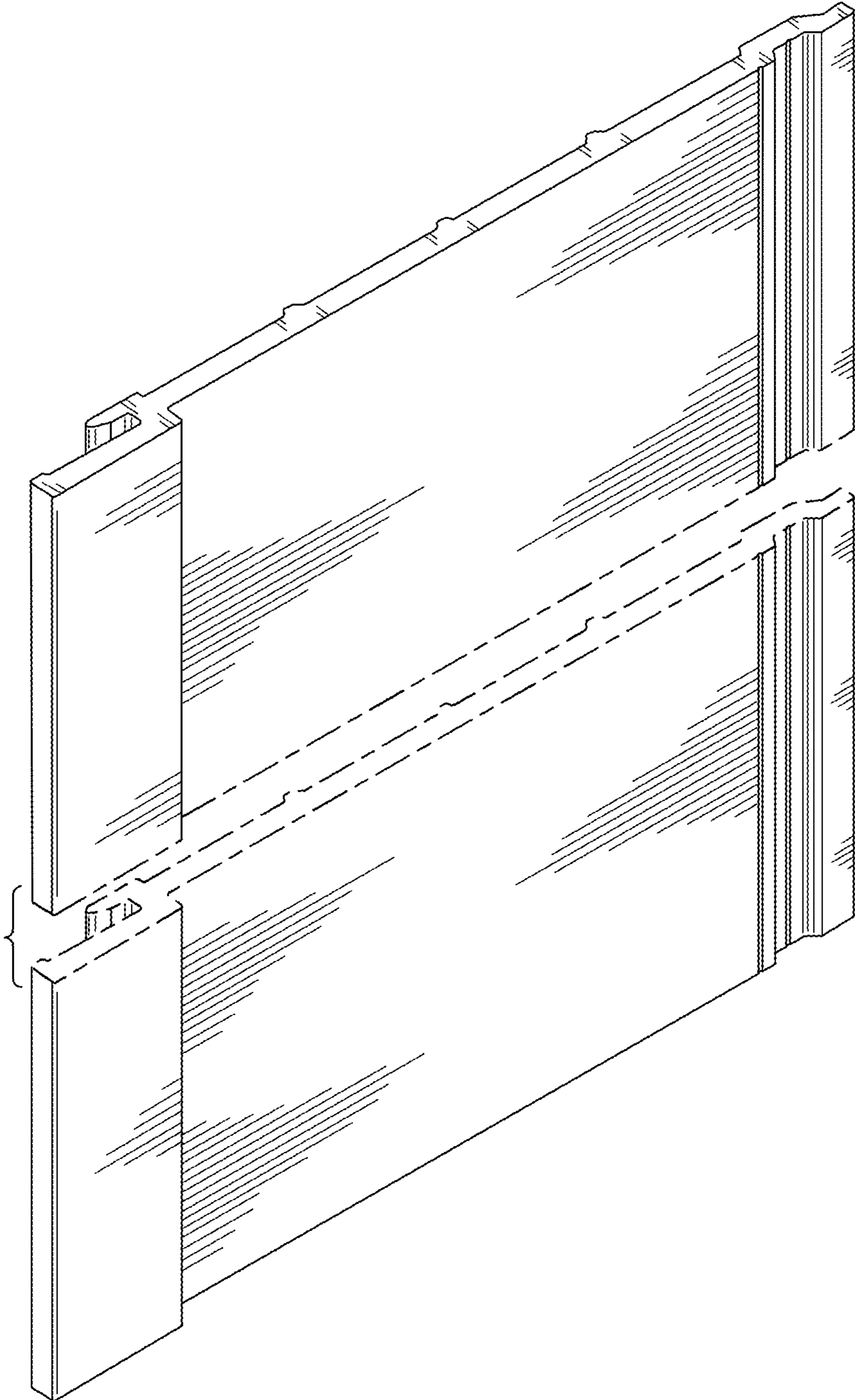


FIG. 1

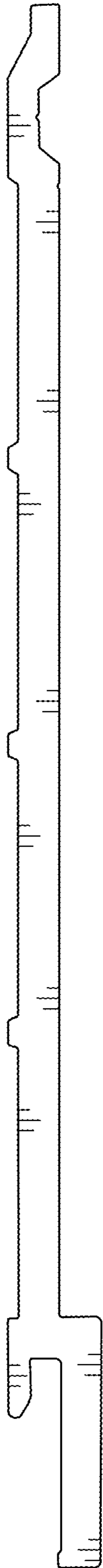


FIG. 2

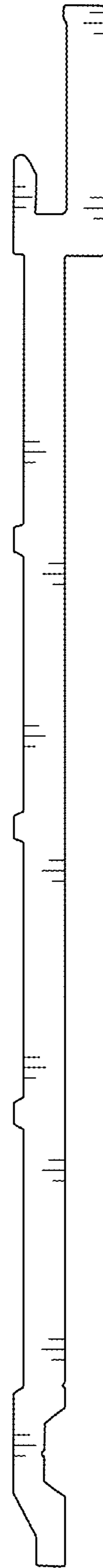


FIG. 3

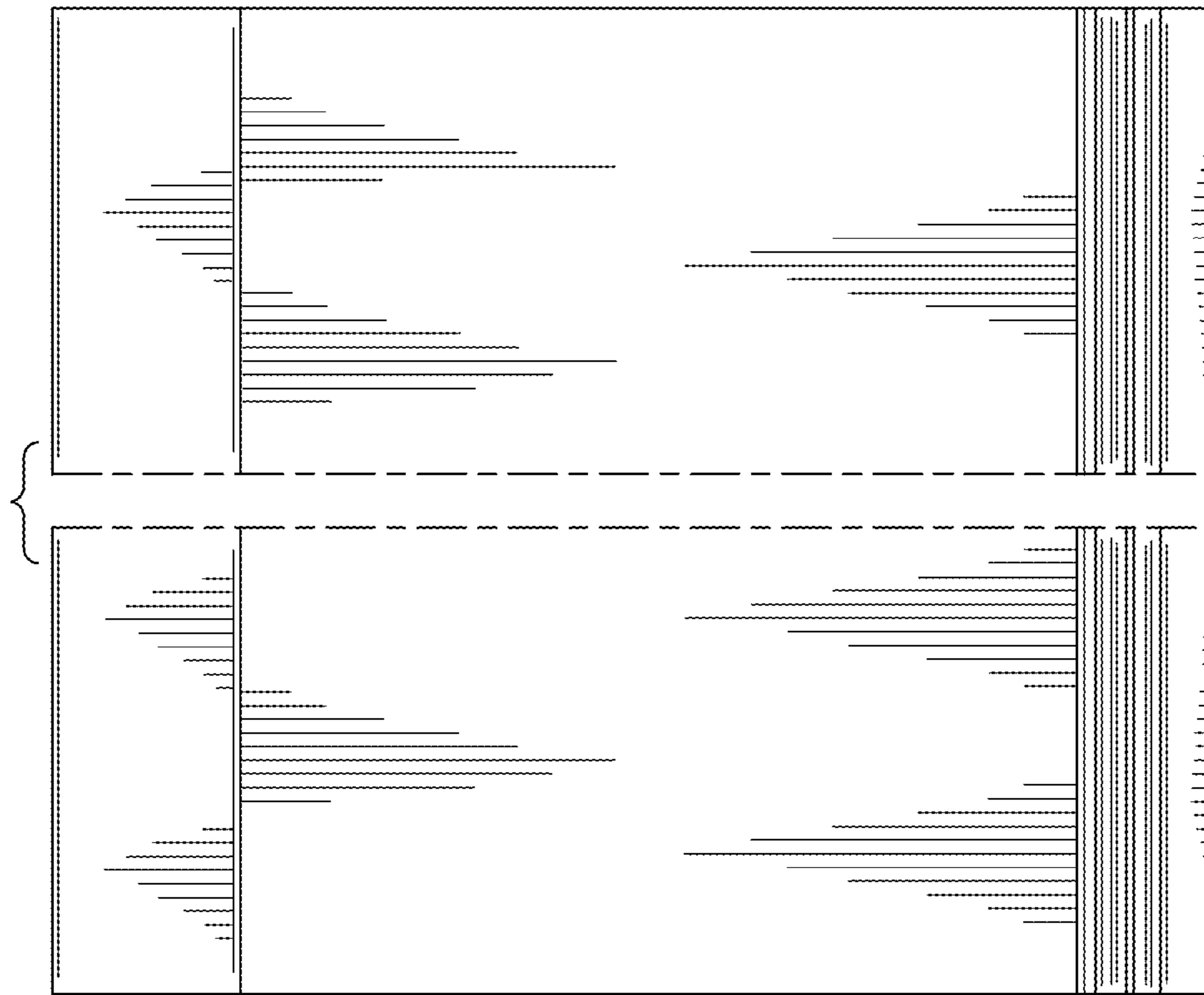


FIG. 4

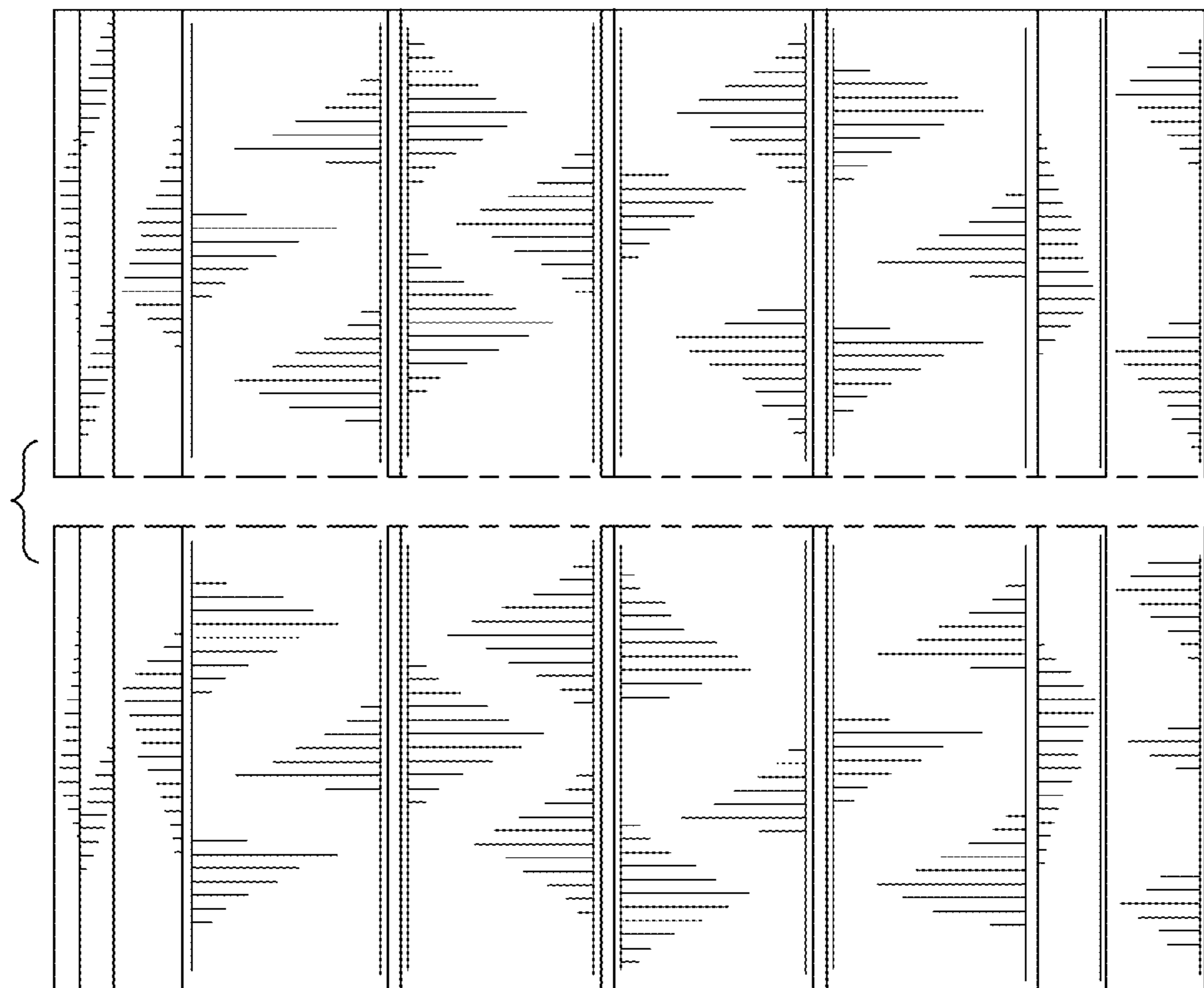


FIG. 5

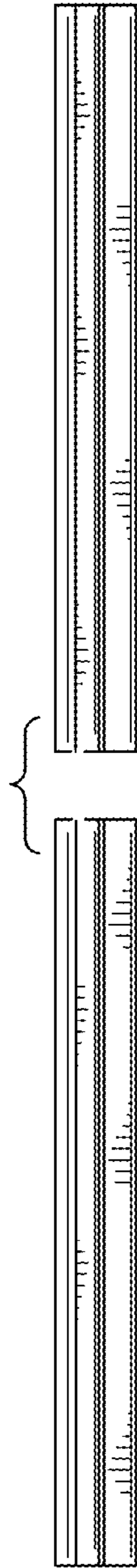


FIG. 6

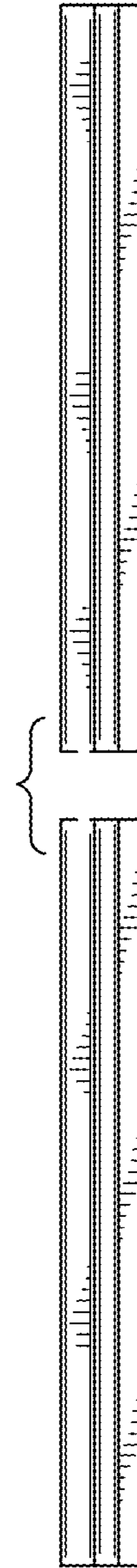


FIG. 7